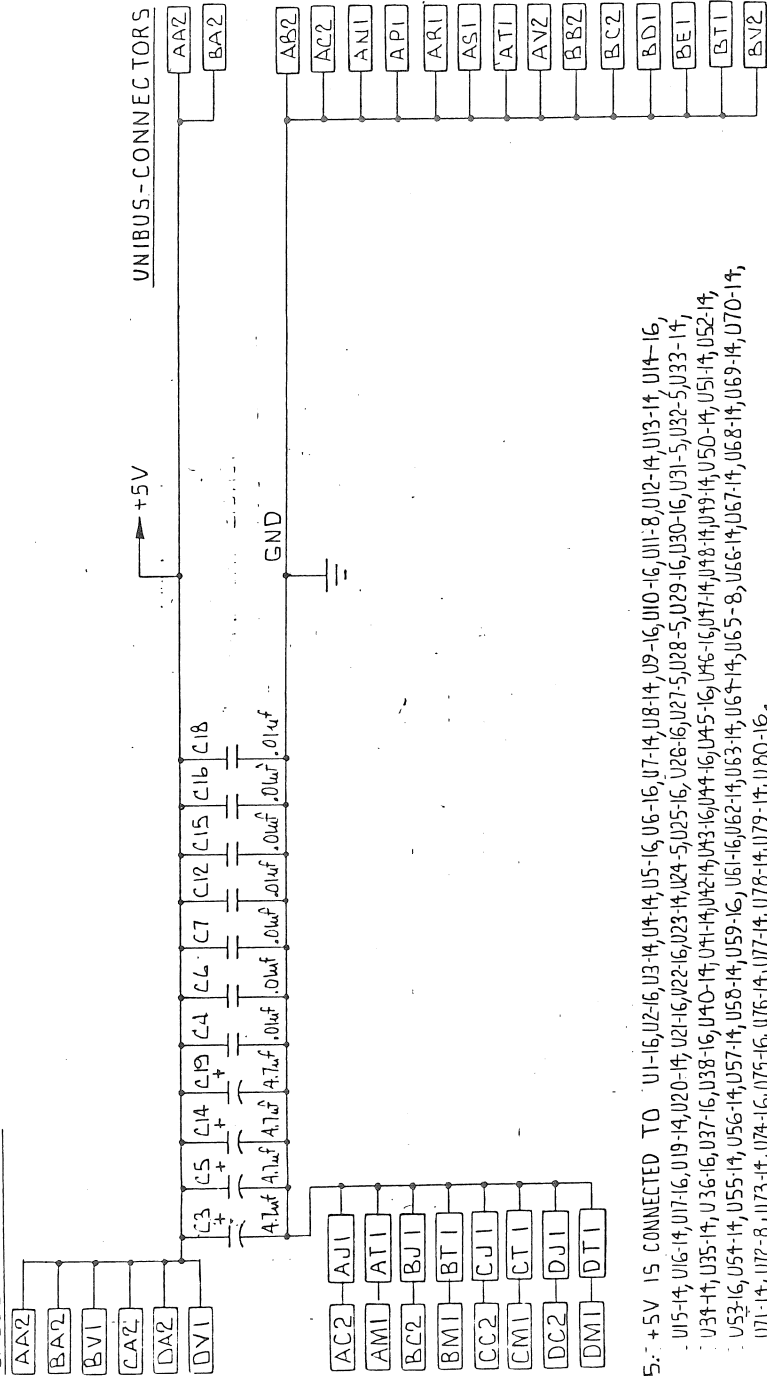


THE INFORMATION CONTAINED HEREON IS THE PROPERTY OF  
ABLE COMPUTER TECHNOLOGY, INC. TRANSMITTAL, RECEIPT  
OR POSSESSION OF THE INFORMATION DOES NOT EXPRESS,  
LICENSE, OR IMPLY ANY RIGHTS TO USE, SELL, OR MANUFAC-  
TURE FROM THIS INFORMATION AND NO REPRODUCTION OR  
PUBLICATION OF IT, IN WHOLE OR IN PART, SHALL BE MADE  
WITHOUT WRITTEN AUTHORIZATION FROM AN OFFICER OF  
THE ABOVE FIRM.

Q-BUS CONNECTORS



4. GND IS CONNECTED TO U1-8, U2-8, U3-7, U4-7, U5-8, U6-8, U7-8, U8-7, U9-8, U10-8, U11-1, U12-7, U13-7, U14-8, U15-7, U16-7, U17-8, U18-8, U22-8, U23-7, U24-12, U25-8, U26-8, U27-12, U28-12, U29-8, U30-8, U31-12, U32-12, U33-7, U34-7, U35-7, U36-8, U37-8, U38-8, U40-7, U41-7, U42-7, U43-8, U44-8, U45-8, U46-8, U47-7, U48-7, U49-7, U50-7, U51-7, U52-7, U53-8, U54-7, U55-7, U56-7, U57-7, U58-7, U59-8, U61-8, U62-7, U63-7, U64-7, U65-1, U66-7, U67-7, U68-7, U69-7, U70-7, U71-7, U72-1, U73-7, U74-8, U75-8, U76-7, U77-7, U78-7, U79-7, U80-8.
5. ALL CAPACITORS ARE IN PF.
6. RMS 11, 12 & 13 ARE SOCKET MOUNTED & REMOVEABLE.
7. ALL RESISTORS ARE 1/4W, 5%.

NOTES: UNLESS OTHERWISE SPECIFIED.

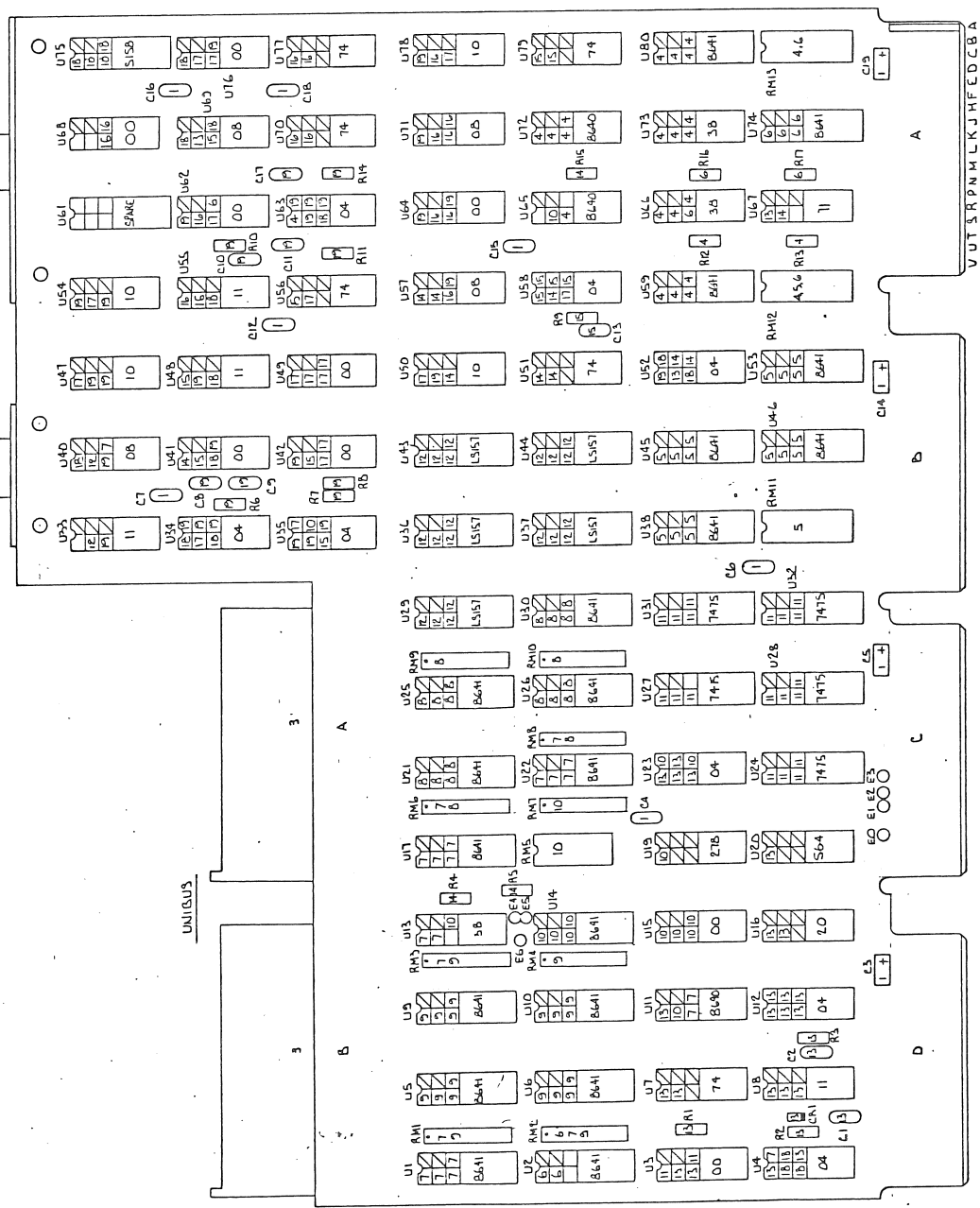
REVISIONS

LTR	DESCRIPTION	DATE	APPROVED
B	PRODUCTION REL. PER E.O. 00135	10-25-79	JLW
E	INC. PER E.O. 00147	1-17-80	JRR
K	INC. PER E.O. 00517	45M-12-82	GR
N	INC. PER E.O. 01305	1/21/83	JH

REF. ONLY

TOLERANCES UNLESS OTHERWISE SPECIFIED		SCALE		DRAWING NO.	
FRACTIONS	DEC	ANGLES	SIZE	DRAWING NO.	
±	±	±	B	10067003	
APPROVALS	DATE	DO NOT SCALE DRAWING			
DRAWN: JRT	7/19/79	SHEET 1 OF 19			
CHECKED: JRP	1-20-83	SCHEMATIC - QNI VERTER			
	1/21/83	ABLE COMPUTER TECHNOLOGY			

UN  
N  
SEE SHIT 1.  
REVISIONS  
DATE  
APPROVED



REFERENCE DESIGNATION CHART

COMP. TYPE	LAST NO. USED	UNUSED
I. C.	U100	U101, U102
CAPACITOR	C19	C1, C2, C3, C4, C5, C6, C7, C8, C9, C10, C11, C12, C13, C14, C15, C16, C17, C18, C20, C21, C22, C23, C24, C25, C26, C27, C28, C29, C30, C31, C32, C33, C34, C35, C36, C37, C38, C39, C40, C41, C42, C43, C44, C45, C46, C47, C48, C49, C50, C51, C52, C53, C54, C55, C56, C57, C58, C59, C60, C61, C62, C63, C64, C65, C66, C67, C68, C69, C70, C71, C72, C73, C74, C75, C76, C77, C78, C79, C80, C81, C82, C83, C84, C85, C86, C87, C88, C89, C90, C91, C92, C93, C94, C95, C96, C97, C98, C99, C100.
RESISTOR	R17	R1, R2, R3, R4, R5, R6, R7, R8, R9, R10, R11, R12, R13, R14, R15, R16, R18, R19, R20, R21, R22, R23, R24, R25, R26, R27, R28, R29, R30, R31, R32, R33, R34, R35, R36, R37, R38, R39, R40, R41, R42, R43, R44, R45, R46, R47, R48, R49, R50, R51, R52, R53, R54, R55, R56, R57, R58, R59, R60, R61, R62, R63, R64, R65, R66, R67, R68, R69, R70, R71, R72, R73, R74, R75, R76, R77, R78, R79, R80, R81, R82, R83, R84, R85, R86, R87, R88, R89, R90, R91, R92, R93, R94, R95, R96, R97, R98, R99, R100.
RES. MOD	RM15	RM1, RM2, RM3, RM4, RM6, RM7, RM8, RM9, RM10, RM11, RM12, RM13, RM14, RM16, RM17, RM18, RM19, RM20, RM21, RM22, RM23, RM24, RM25, RM26, RM27, RM28, RM29, RM30, RM31, RM32, RM33, RM34, RM35, RM36, RM37, RM38, RM39, RM40, RM41, RM42, RM43, RM44, RM45, RM46, RM47, RM48, RM49, RM50, RM51, RM52, RM53, RM54, RM55, RM56, RM57, RM58, RM59, RM60, RM61, RM62, RM63, RM64, RM65, RM66, RM67, RM68, RM69, RM70, RM71, RM72, RM73, RM74, RM75, RM76, RM77, RM78, RM79, RM80, RM81, RM82, RM83, RM84, RM85, RM86, RM87, RM88, RM89, RM90, RM91, RM92, RM93, RM94, RM95, RM96, RM97, RM98, RM99, RM100.
DIODE	CR1	

ACT  
AEE COMP-100 TON-000  
SCHEMATIC CONVERTER  
D 100-61003  
DO NOT SCALE DIMENSIONS

THE INFORMATION CONTAINED HEREIN IS UNCLASSIFIED EXCEPT WHERE SHOWN OTHERWISE BY THE MARKING THEREON. THIS DOCUMENT IS THE PROPERTY OF THE AIR FORCE AND IS LOANED TO YOUR AGENCY. IT IS TO BE RETURNED TO THE AIR FORCE AT THE END OF THE LOAN PERIOD. IT IS TO BE DESTROYED WHEN NO LONGER REQUIRED FOR OFFICIAL USE.

THE INFORMATION CONTAINED HEREIN IS THE PROPERTY OF THE COMPANY AND IS TO BE USED ONLY FOR THE PURPOSES OF THE CONTRACT UNDER WHICH IT IS FURNISHED. IT IS NOT TO BE REPRODUCED OR TRANSMITTED IN ANY FORM OR BY ANY MEANS, ELECTRONIC OR MECHANICAL, INCLUDING PHOTOCOPYING, RECORDING, OR BY ANY INFORMATION STORAGE AND RETRIEVAL SYSTEM, WITHOUT THE WRITTEN AUTHORIZATION OF THE COMPANY.

SHT	1	B	2	SHT
10	BUS-BG6-H	A	+5V	1
10	BUS-BG5-H	B	GND	1
7	BUS-BG5-L	C	GND	1
1	GND	D	BUS-BR4-L	7
1	GND	E	BG4-H	10
6	BUS-ACLD-L	F	DL0-L	6
9	AD1-L	H	AD0-L	9
9	AD3-L	J	AD2-L	9
9	AD5-L	K	AD4-L	9
9	AD7-L	L	AD6-L	9
9	AD9-L	M	AD8-L	9
9	A11-L	N	A10-L	9
9	A13-L	P	A12-L	9
9	A15-L	R	A14-L	9
6	BUS-A17-L	S	A16-L	6
1	GND	T	Z1-L	7
7	BUS-SSYN-L	U	BUS-C0-L	7
7	BUS-M5YN-L	V	GND	1

SHT	1	A	2	SHT
7	BUS-INIT-L	A	+5V	1
7	INTR-L	B	GND	1
8	DO0-L	C	GND	1
8	DO2-L	D	BUS-DO1-L	8
8	DO4-L	E	DO3-L	8
8	DO6-L	F	DO5-L	8
8	DO8-L	H	DO7-L	8
8	DO-L	J	DO9-L	8
8	DI2-L	K	D11-L	8
8	BUS-DI4-L	L	D13-L	8
1	GND	M	D15-L	8
1	GND	N	PB-L	7
1	GND	P	B65-L	7
1	GND	R	SACK-L	7
1	GND	S	NPR-L	7
1	GND	T	BR7-L	7
10	BUS-NPG-H	U	BUS-BR6-L	7
10	BUS-BG7-H	V	GND	1

UNIBUS

SHT	1	C	2	SHT
6	B0COK-H	A	+5V	1
6	B0COK-H	B	GND	1
1	GND	D	E	BDAL02-L
1	GND	F	F	BDAL03-L
1	GND	H	H	BDAL04-L
1	GND	J	J	BDAL05-L
1	GND	K	K	BDAL06-L
1	GND	L	L	BDAL07-L
1	GND	M	M	BDAL08-L
4	BSACK-L	N	N	BDAL09-L
4	BIRQ7-L	P	P	BDAL10-L
6	BEVNT-L	R	R	BDAL11-L
1	GND	S	S	BDAL12-L
1	GND	T	T	BDAL13-L
1	GND	U	U	BDAL14-L
1	+5V	V	V	BDAL15-L

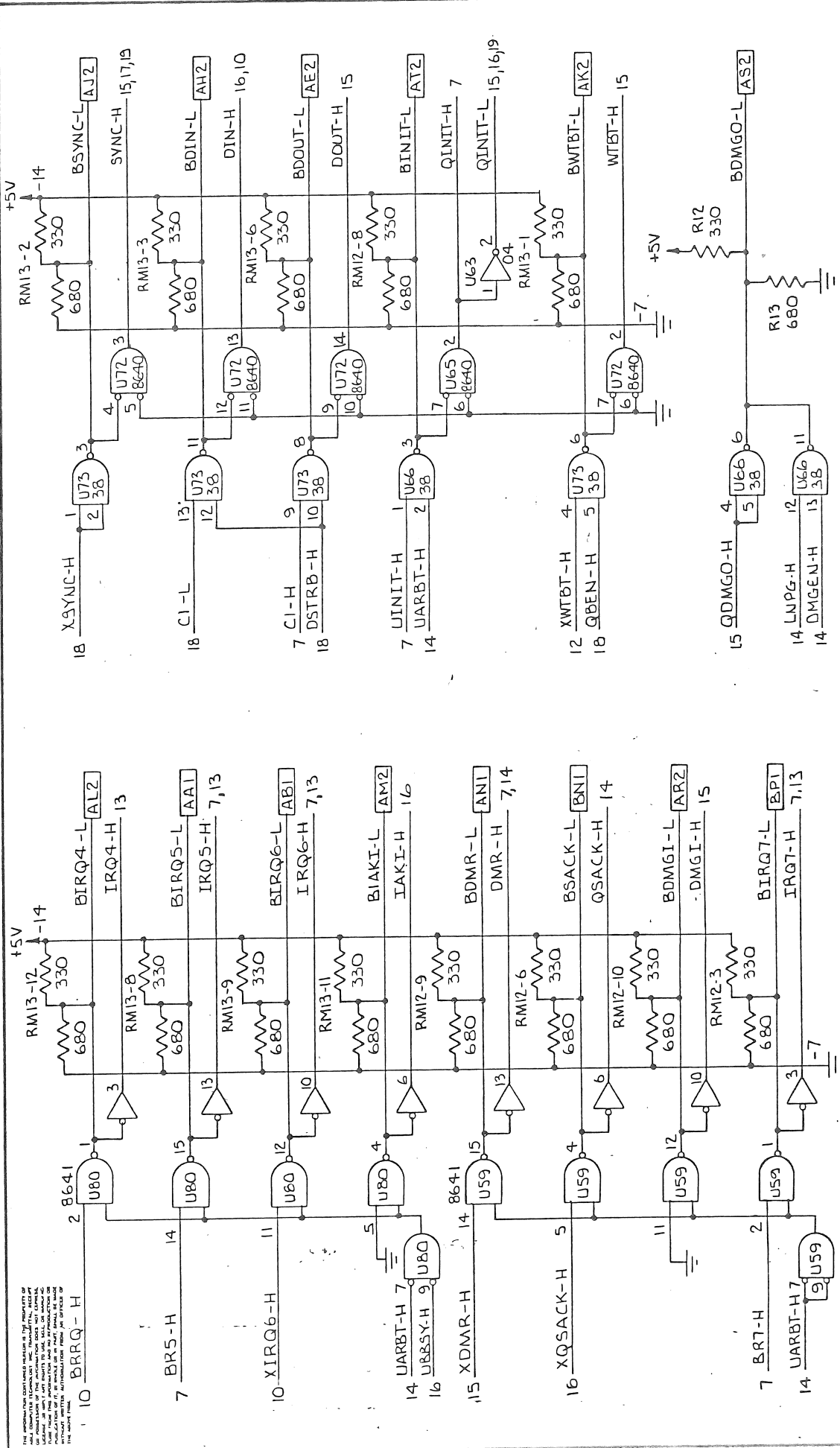
SHT	1	B	2	SHT
6	B0COK-H	A	+5V	1
6	B0COK-H	B	GND	1
1	GND	D	E	BDAL02-L
1	GND	F	F	BDAL03-L
1	GND	H	H	BDAL04-L
1	GND	J	J	BDAL05-L
1	GND	K	K	BDAL06-L
1	GND	L	L	BDAL07-L
1	GND	M	M	BDAL08-L
4	BSACK-L	N	N	BDAL09-L
4	BIRQ7-L	P	P	BDAL10-L
6	BEVNT-L	R	R	BDAL11-L
1	GND	S	S	BDAL12-L
1	GND	T	T	BDAL13-L
1	+5V	V	V	BDAL15-L

SHT	1	A	2	SHT
4	BIRQ5-L	A	+5V	1
4	BIRQ6-L	B	GND	1
6	BDAL16-L	C	GND	1
6	BDAL17-L	D	GND	1
1	GND	J	BSYNC-L	4
1	GND	K	BWTBI-L	4
1	GND	L	BIRQ4-L	4
1	GND	M	BIACK-L	4
4	BDMR-L	N	BIAKO-L	6
6	BHALT-L	P	BBS7-L	6
6	BREF-L	R	BDMGI-L	4
1	GND	S	BDMGO-L	4
1	GND	T	BTINIT-L	4
1	GND	U	BDAL00-L	5
1	GND	V	BDAL01-L	5

SHT	1	D	2	SHT
1	GND	A	+5V	1
1	GND	B	GND	1
1	GND	C	GND	1
1	GND	D	GND	1
1	GND	E	GND	1
1	GND	F	GND	1
1	GND	H	GND	1
1	GND	J	GND	1
1	GND	K	GND	1
1	GND	L	GND	1
1	GND	M	GND	1
1	GND	N	GND	1
1	GND	P	GND	1
1	GND	R	GND	1
1	GND	S	GND	1
1	GND	T	GND	1
1	GND	U	GND	1
1	+5V	V	GND	1

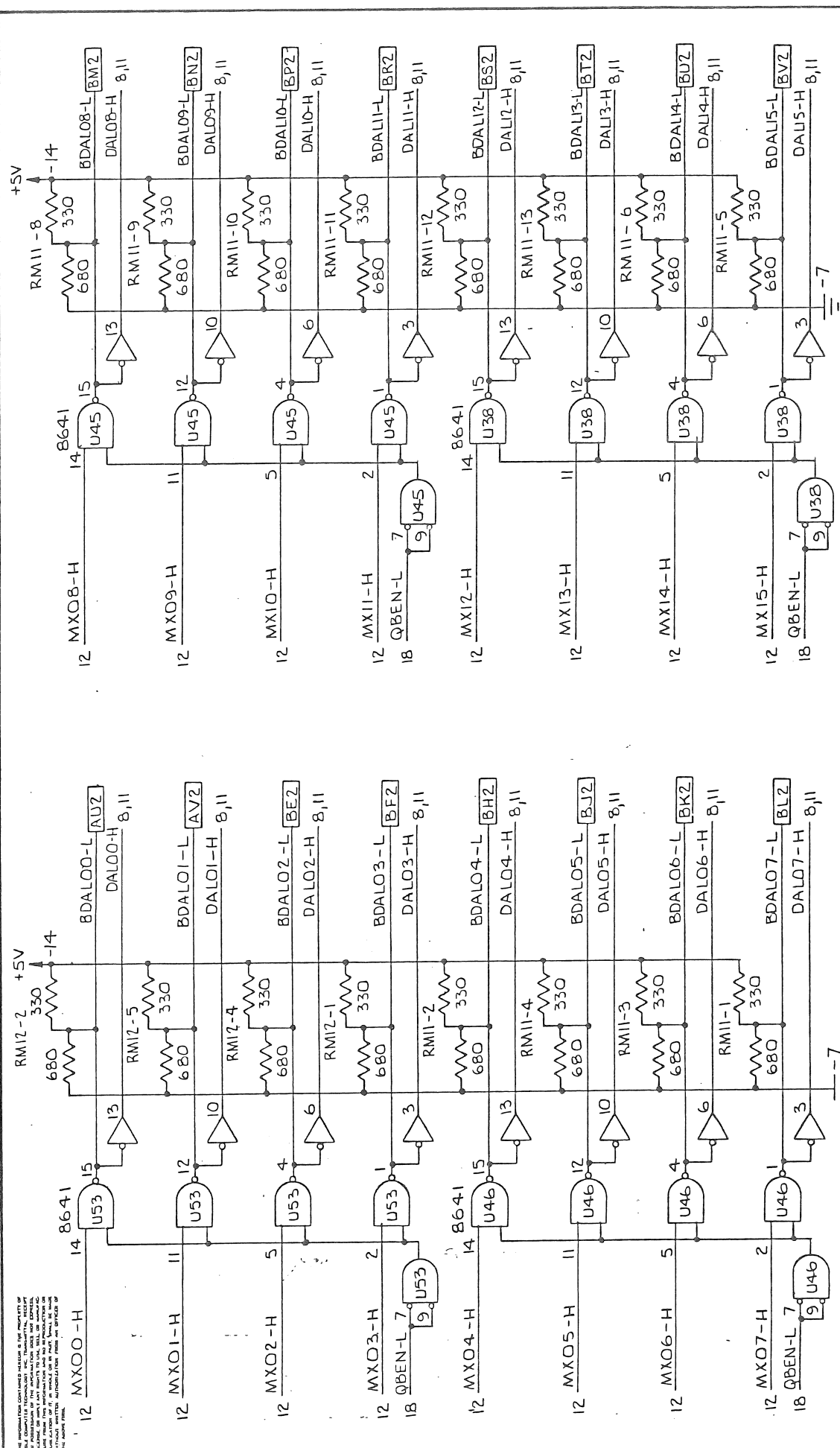
Q - BUS

THE INFORMATION CONTAINED HEREIN IS THE PROPERTY OF  
 AND COMPUTER TECHNOLOGY, INC. IT IS TO BE KEPT  
 CONFIDENTIAL AND NOT TO BE DISCLOSED TO ANY OTHER  
 PERSON OR ORGANIZATION WITHOUT THE WRITTEN  
 PERMISSION OF AND COMPUTER TECHNOLOGY, INC.

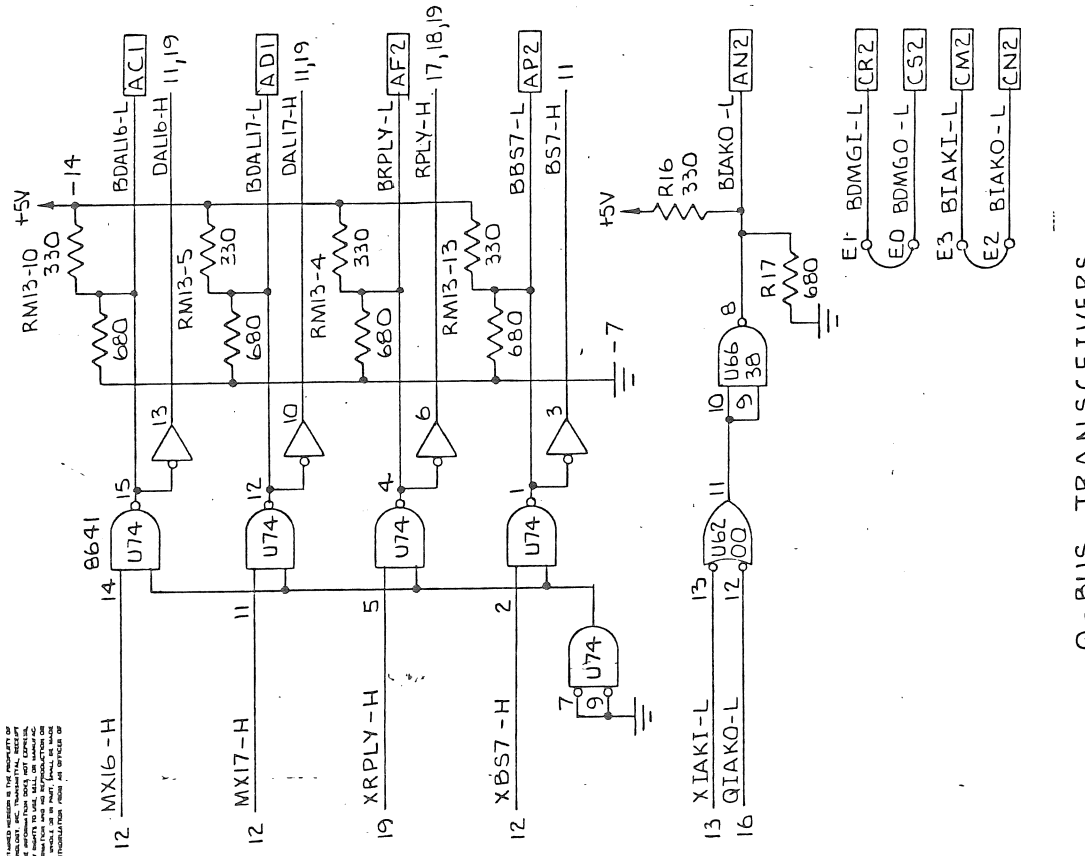


SCALE	SIZE	DRAWING NO.
	B	10067003

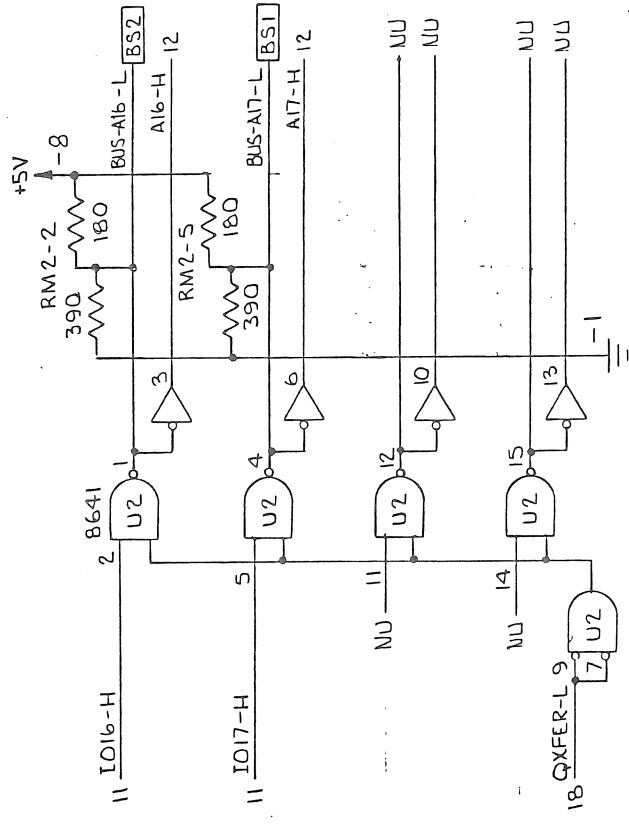
THE INFORMATION CONTAINED HEREIN IS THE PROPERTY OF  
 THE COMPANIES TECHNOLOGY, INC. THIS DRAWING IS NOT TO  
 BE REPRODUCED OR TRANSMITTED IN ANY FORM OR BY ANY  
 MEANS, ELECTRONIC OR MECHANICAL, INCLUDING PHOTOCOPYING,  
 RECORDING, OR BY ANY INFORMATION STORAGE AND RETRIEVAL  
 SYSTEM, WITHOUT PERMISSION IN WRITING FROM THE COMPANY.



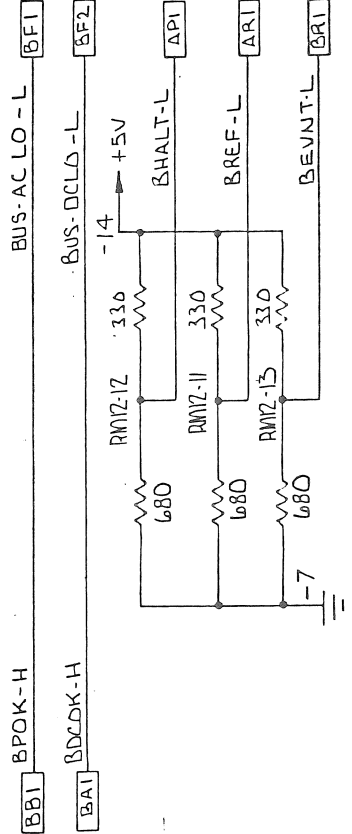
THE INFORMATION CONTAINED HEREIN IS THE PROPERTY OF  
 THE COMPUTER TECHNOLOGY, INC. THE INFORMATION CONTAINED  
 HEREIN IS UNCLASSIFIED EXCEPT WHERE SHOWN OTHERWISE  
 DATE 08-14-2018 BY 60322 UCBAW/SJS



Q-BUS TRANSCIEVERS

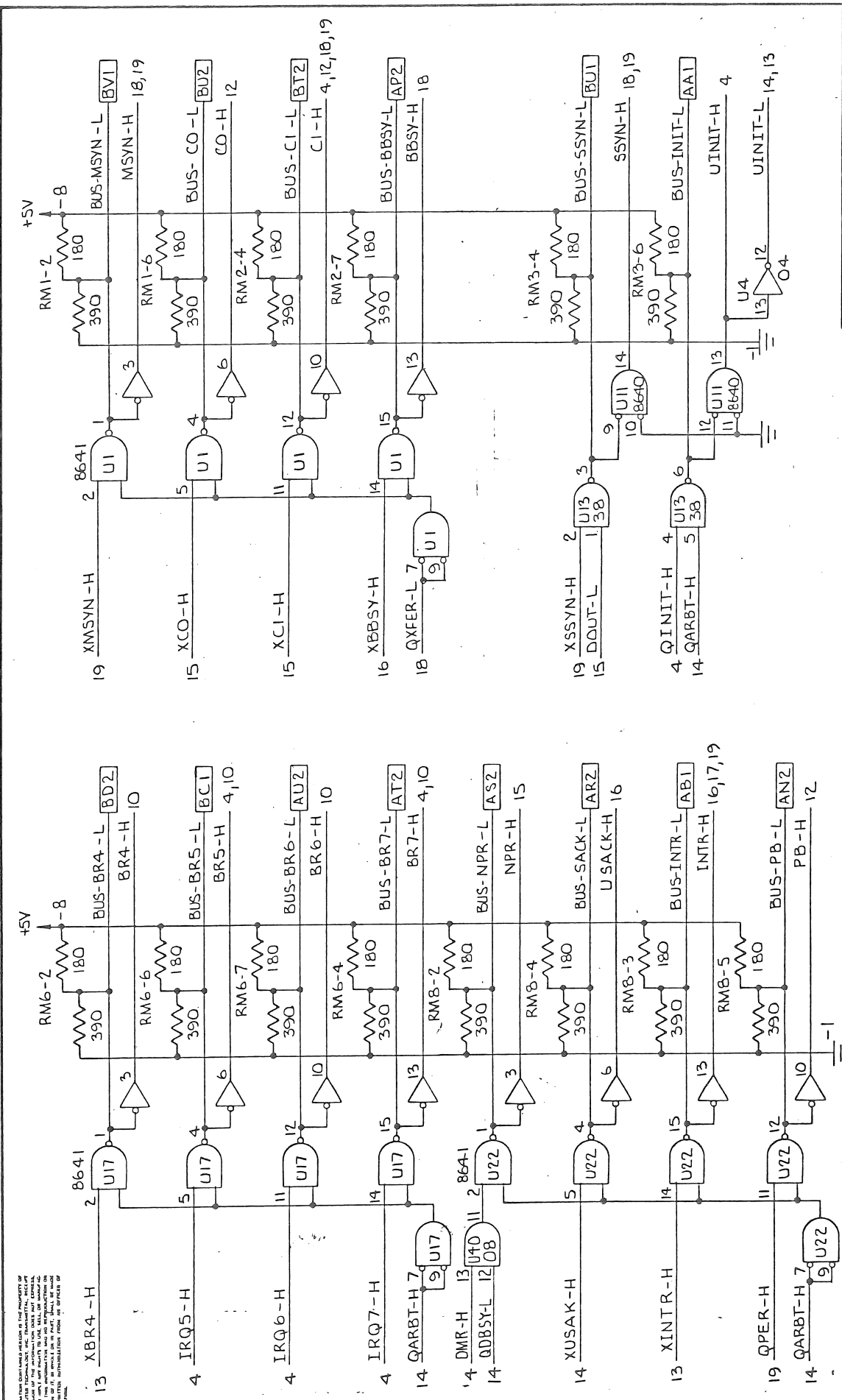


UNIBUS - TRANSCIEVERS

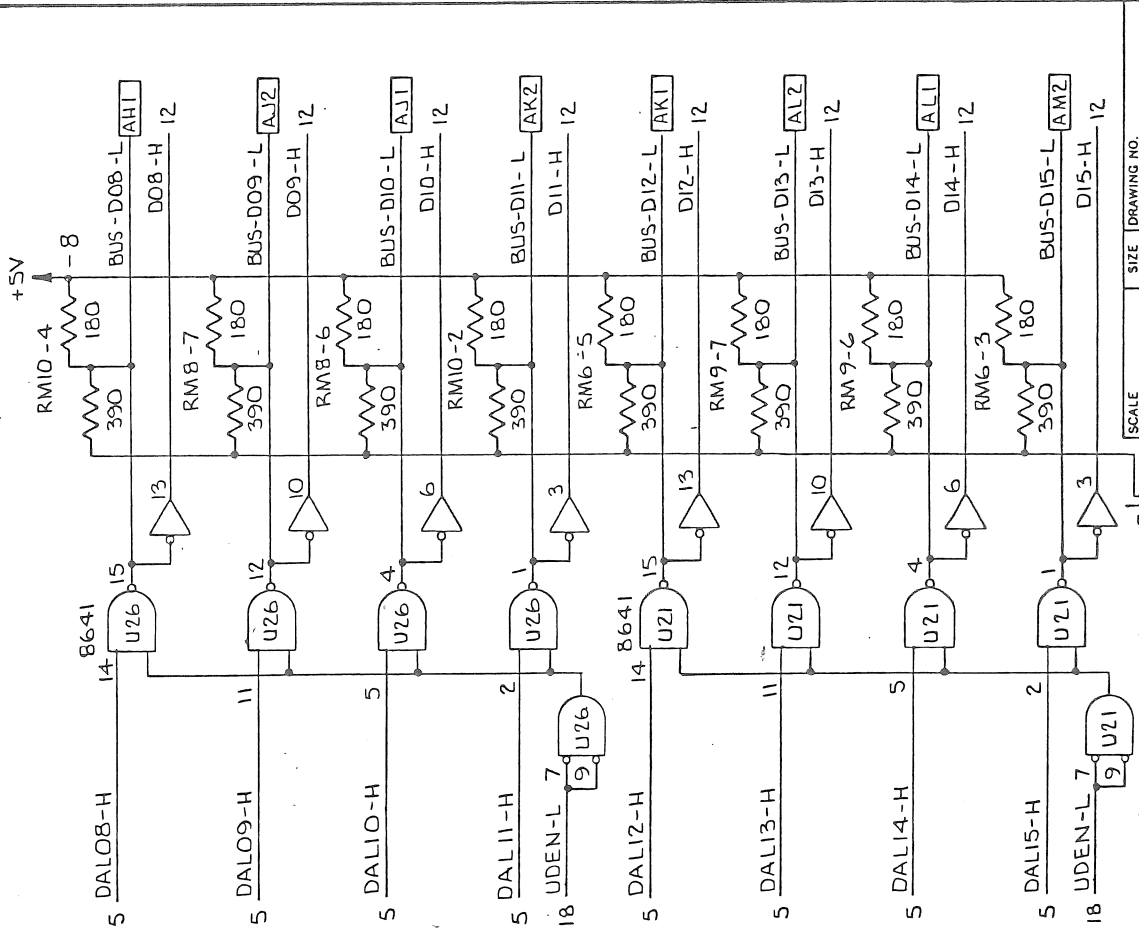
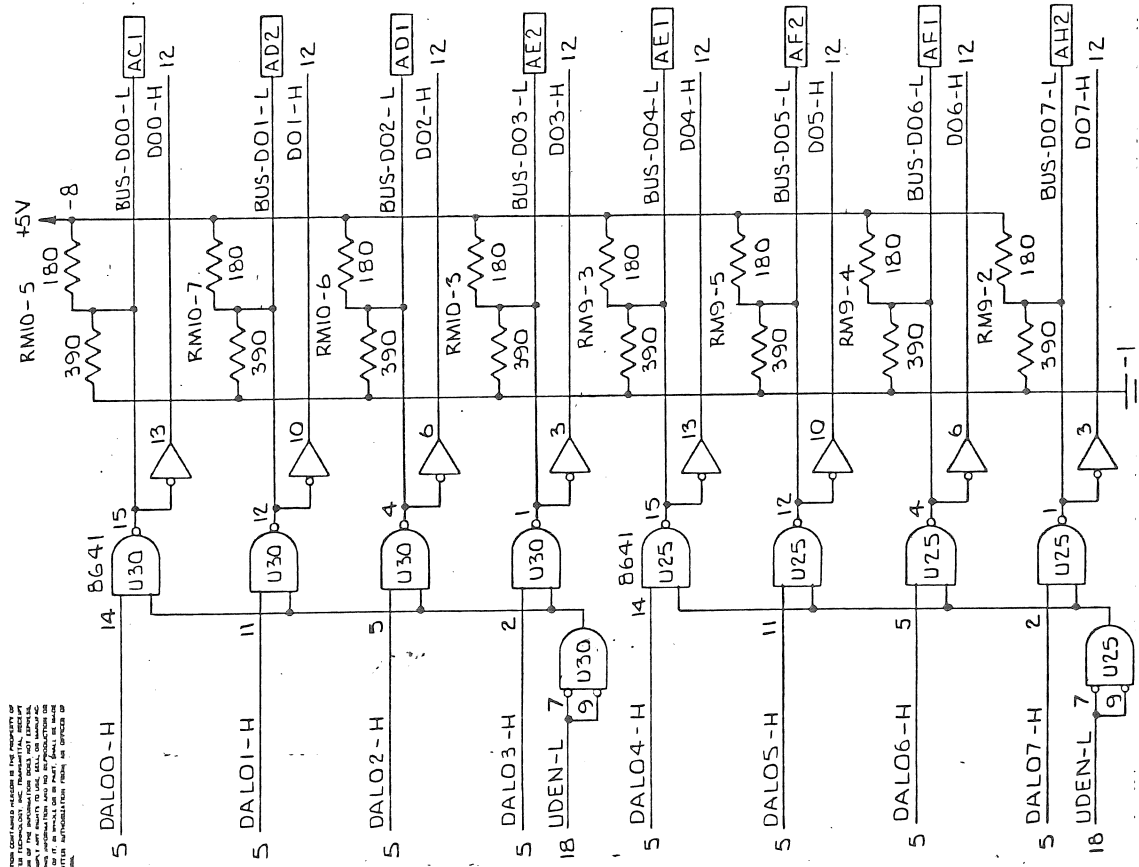


Q-BUS TRANSCIEVERS

THE INFORMATION CONTAINED HEREIN IS THE PROPERTY OF  
 AND COMPUTER TECHNOLOGIES, INC. TRANSMISSION, REPRODUCTION,  
 OR DISSEMINATION OF THIS INFORMATION TO ANY OTHER PERSON OR  
 ORGANIZATION WITHOUT THE WRITTEN AUTHORIZATION OF THE OFFICE OF  
 THE SECRETARY OF DEFENSE IS PROHIBITED.

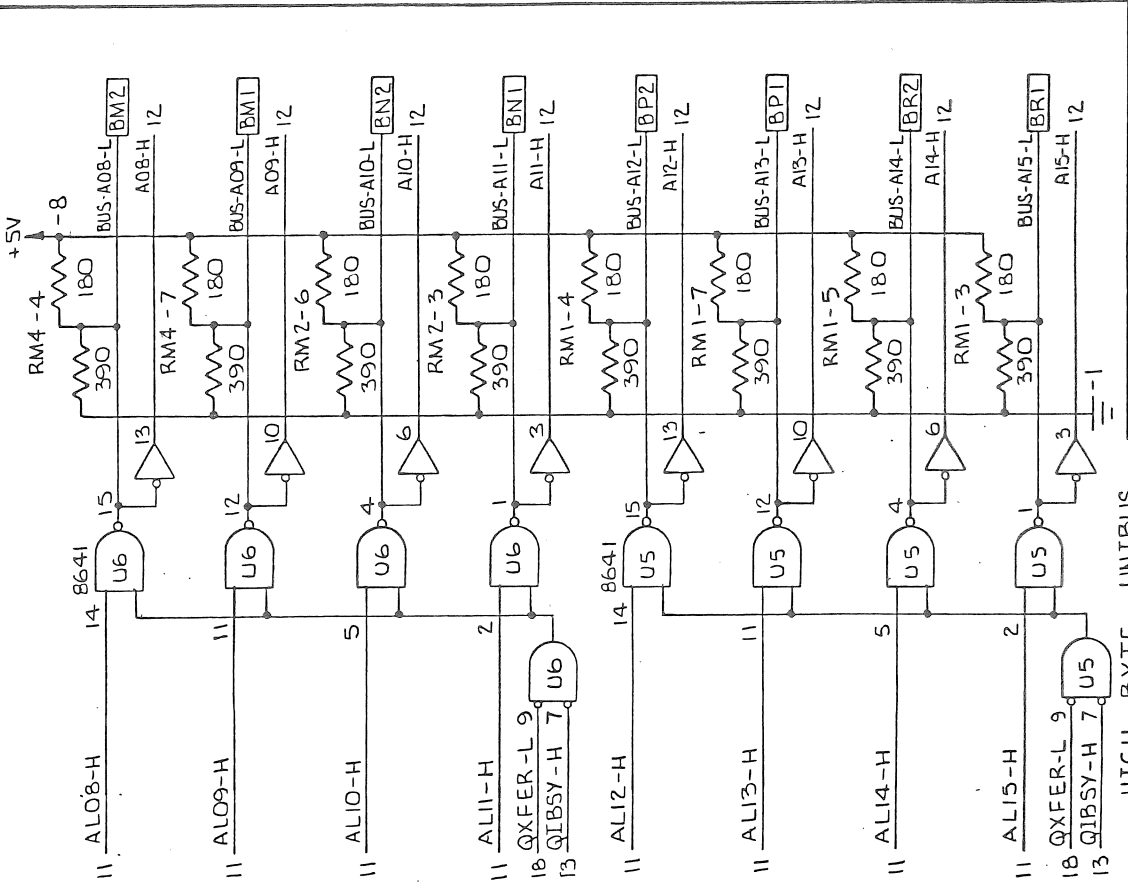
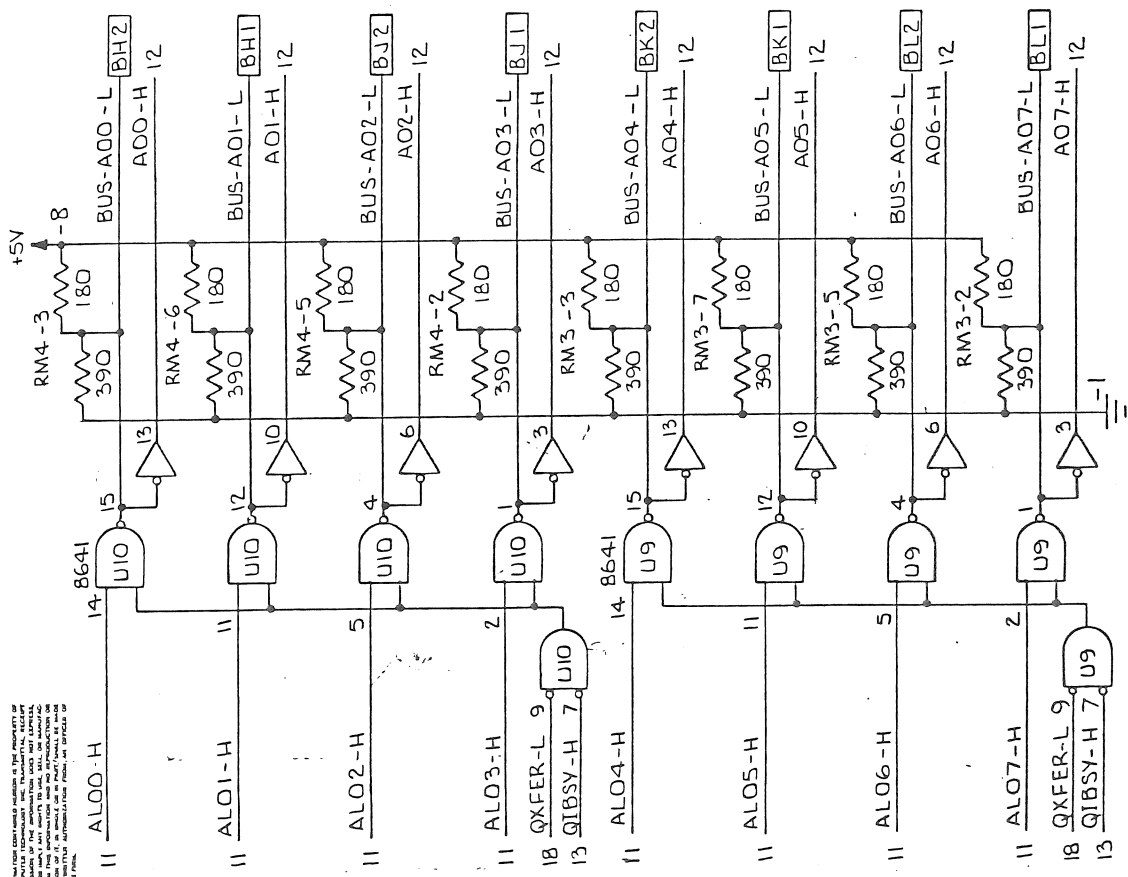


THE INFORMATION CONTAINED HEREIN IS THE PROPERTY OF  
 IBM CORPORATION. IT IS LOANED TO YOUR COMPANY BY  
 IBM CORPORATION. IT IS NOT TO BE REPRODUCED OR  
 TRANSMITTED IN ANY FORM OR BY ANY MEANS, ELECTRONIC,  
 MECHANICAL, OR BY ANY INFORMATION STORAGE AND  
 RETRIEVAL SYSTEM, WITHOUT THE WRITTEN PERMISSION  
 OF IBM CORPORATION.





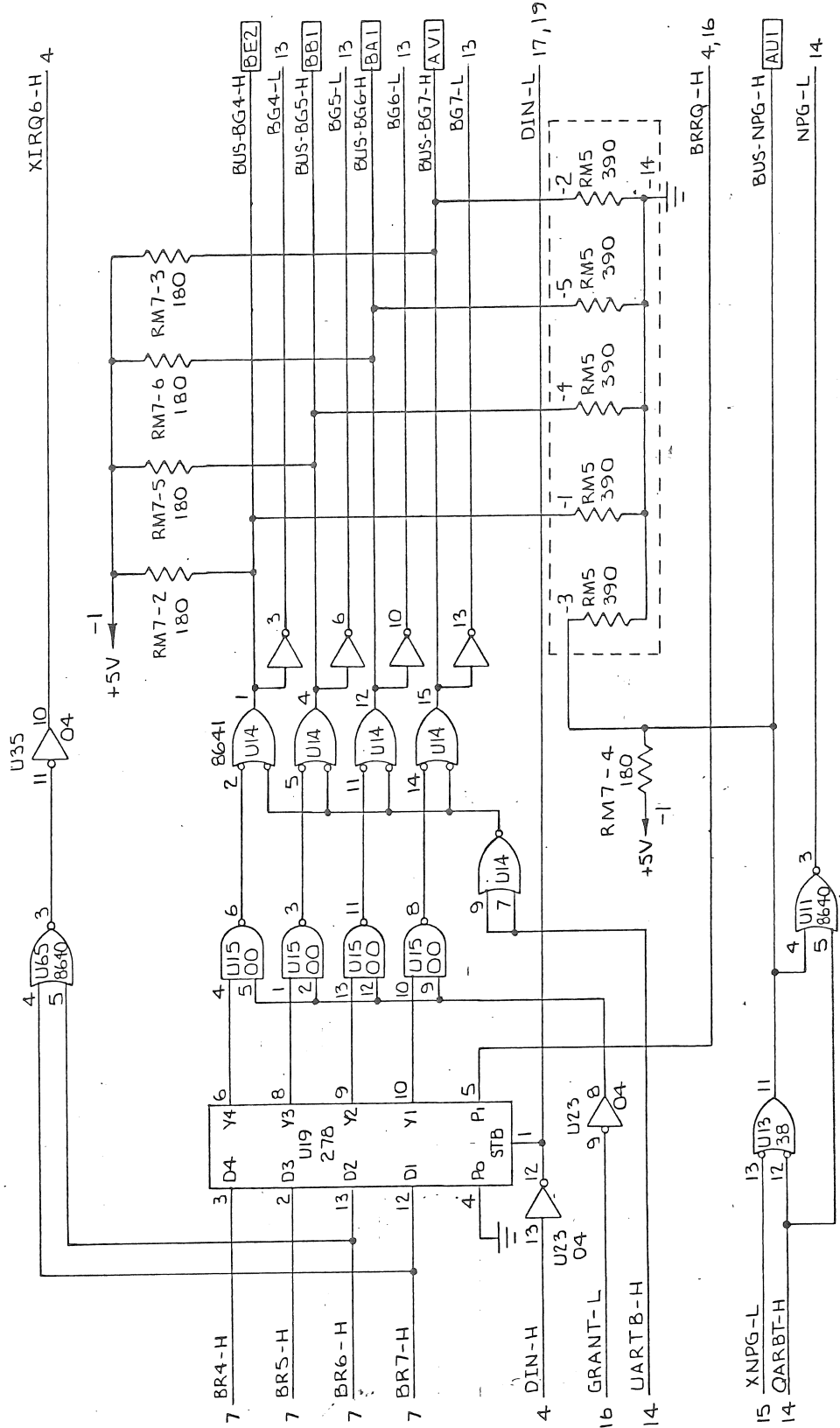
THE INFORMATION CONTAINED HEREIN IS THE PROPERTY OF  
 AND IS LOANED TO YOUR COMPANY BY THE PROPERTY OF  
 THE COMPANY. IT IS TO BE USED ONLY FOR THE PURPOSES  
 FOR WHICH IT IS LOANED. IT IS NOT TO BE REPRODUCED  
 OR TRANSMITTED IN ANY FORM OR BY ANY MEANS,  
 ELECTRONIC, MECHANICAL, PHOTOCOPYING, RECORDING,  
 OR BY ANY INFORMATION STORAGE AND RETRIEVAL SYSTEM,  
 WITHOUT THE WRITTEN PERMISSION OF THE COMPANY.



LOW BYTE - UNIBUS ADDRESS TRANSCEIVERS

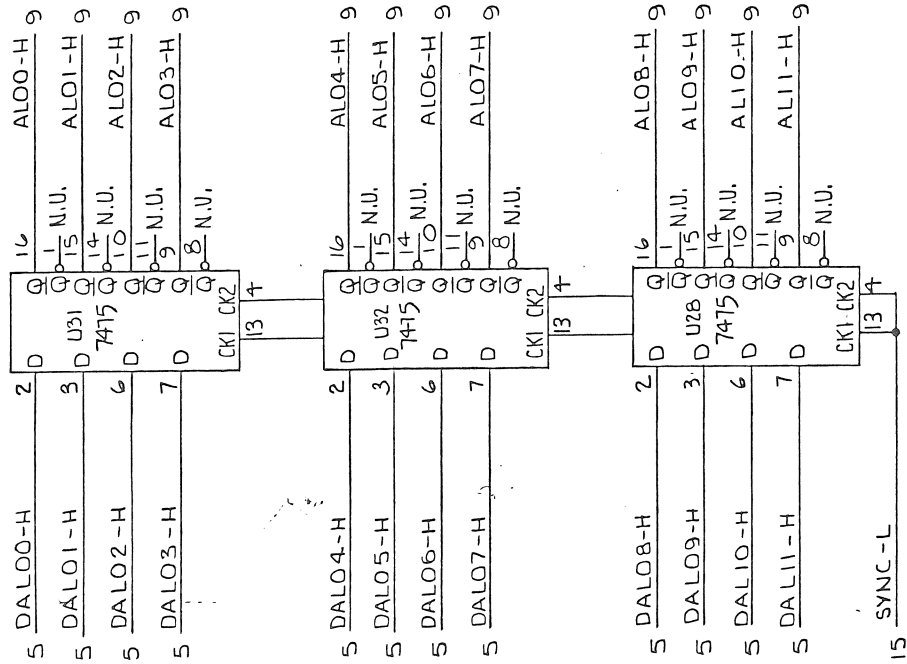
HIGH BYTE - UNIBUS ADDRESS TRANSCEIVERS

THE INFORMATION CONTAINED HEREIN IS THE PROPERTY OF  
 AND COMPANY. IT IS TO BE USED FOR THE DESIGN, CONSTRUCTION, TESTING,  
 AND OPERATION OF THE SYSTEM DESCRIBED HEREIN ONLY. IT IS NOT TO BE  
 REPRODUCED OR TRANSMITTED IN ANY FORM OR BY ANY MEANS, ELECTRONIC  
 OR MECHANICAL, INCLUDING PHOTOCOPYING, RECORDING, OR BY ANY INFORMATION  
 STORAGE AND RETRIEVAL SYSTEM, WITHOUT THE WRITTEN PERMISSION OF  
 AND COMPANY.

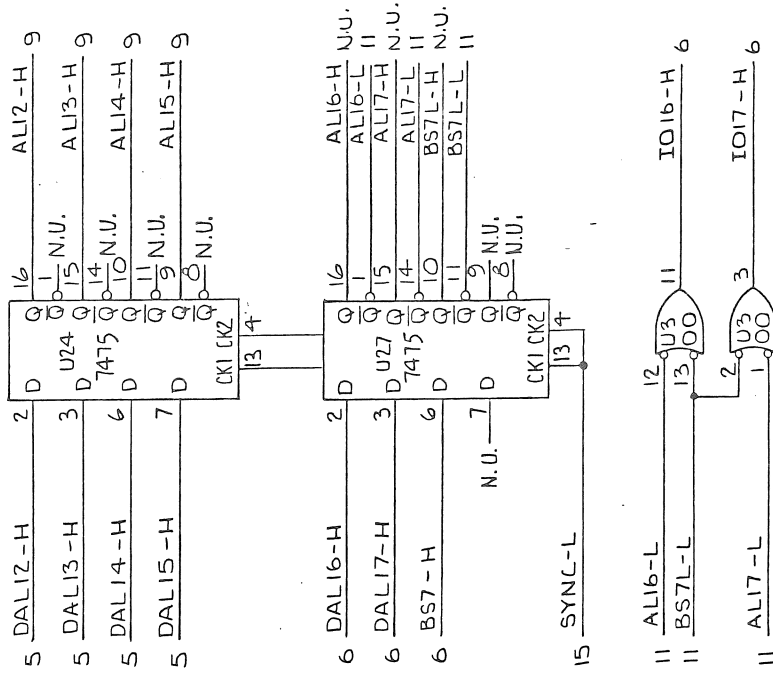


UNIBUS INTERRUPT PRIORITY - Q-BUS ARBITRATOR

THE INFORMATION CONTAINED HEREIN IS THE PROPERTY OF  
 AN INTELLECTUAL PROPERTY INC. IT IS TO BE KEPT  
 CONFIDENTIAL AND NOT TO BE DISCLOSED TO ANY OTHER  
 PERSON OR ORGANIZATION WITHOUT THE WRITTEN  
 PERMISSION OF AN INTELLECTUAL PROPERTY INC. IN THE  
 EVENT OF A DISCLOSED TO ANY OTHER PERSON OR  
 ORGANIZATION WITHOUT THE WRITTEN PERMISSION OF  
 AN INTELLECTUAL PROPERTY INC. IT IS TO BE KEPT  
 CONFIDENTIAL AND NOT TO BE DISCLOSED TO ANY OTHER  
 PERSON OR ORGANIZATION WITHOUT THE WRITTEN  
 PERMISSION OF AN INTELLECTUAL PROPERTY INC.

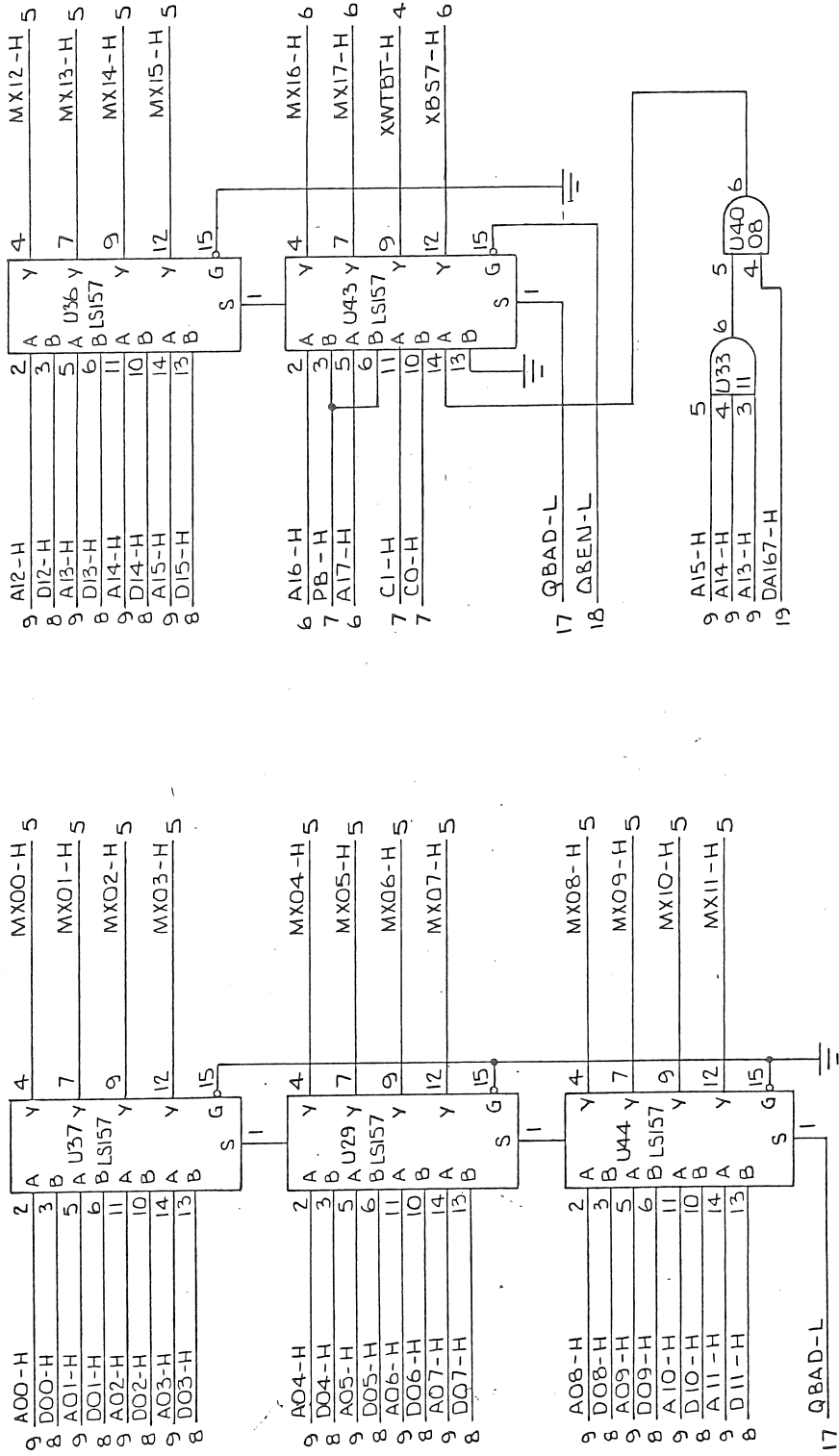


LOWER ADDRESS LATCH



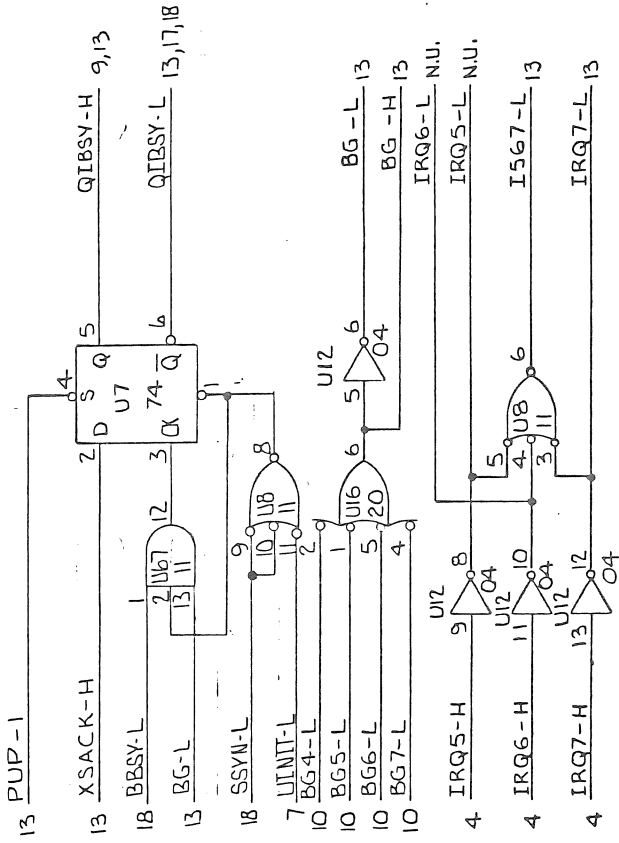
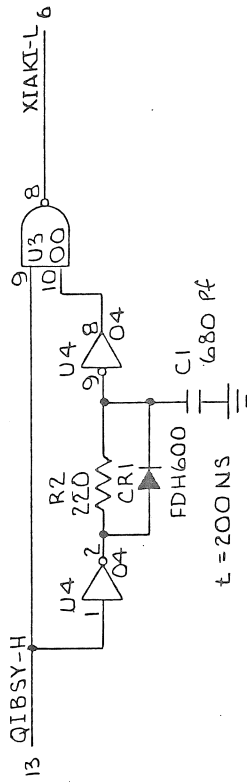
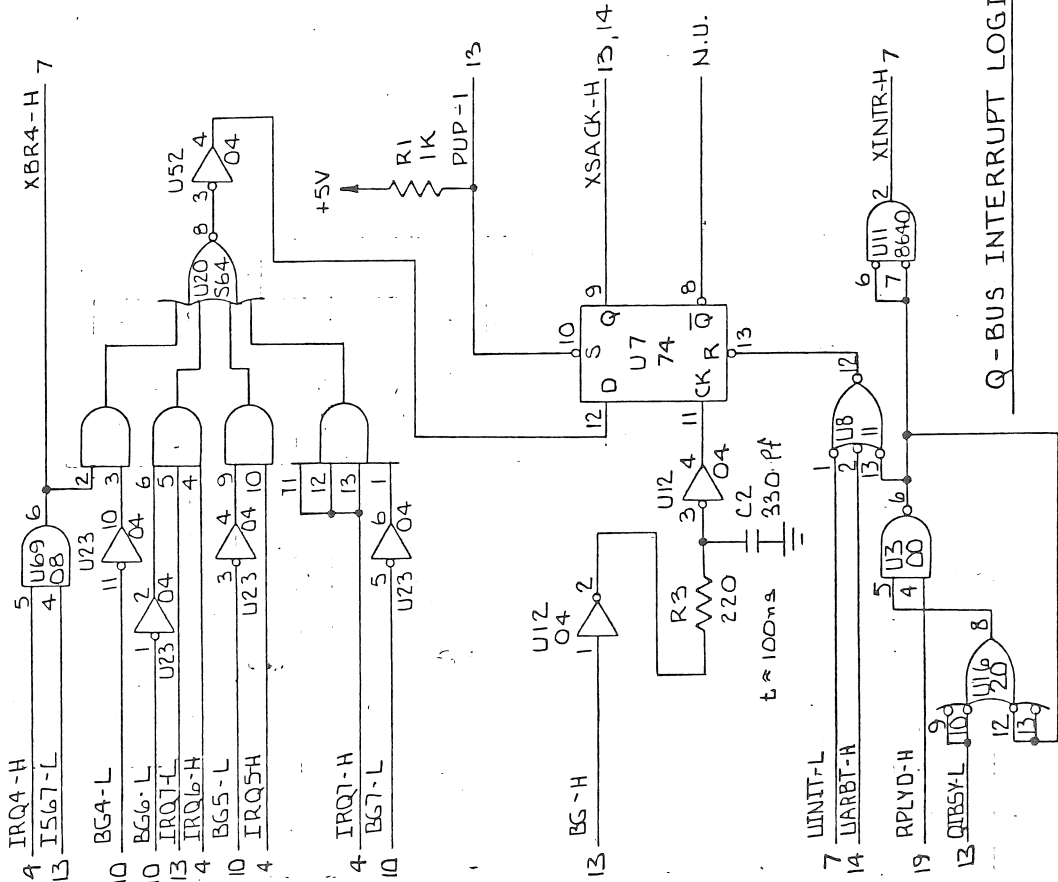
UPPER ADDRESS LATCH

THE INFORMATION CONTAINED HEREIN IS THE PROPERTY OF  
 THE COMPUTER CORPORATION, INC. THROUGHOUT THE ENTIRE  
 COURSE OF ANY AND ALL RIGHTS TO THE FULL AND COMPLETE  
 INFORMATION OF THE USER. THE USER SHALL BE RESPONSIBLE FOR  
 THE PROTECTION OF THIS INFORMATION FROM DISSEMINATION TO  
 UNAUTHORIZED PERSONS OR AGENCIES OF  
 THE UNITED STATES.



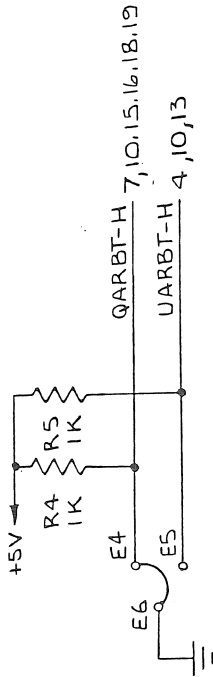
Q - BUS MUX

THE INFORMATION CONTAINED HEREIN IS UNCLASSIFIED  
 DATE 08-28-2001 BY 60322 UCBAW/SJS/STP/STP  
 AUTHORITY 50 USC 1701

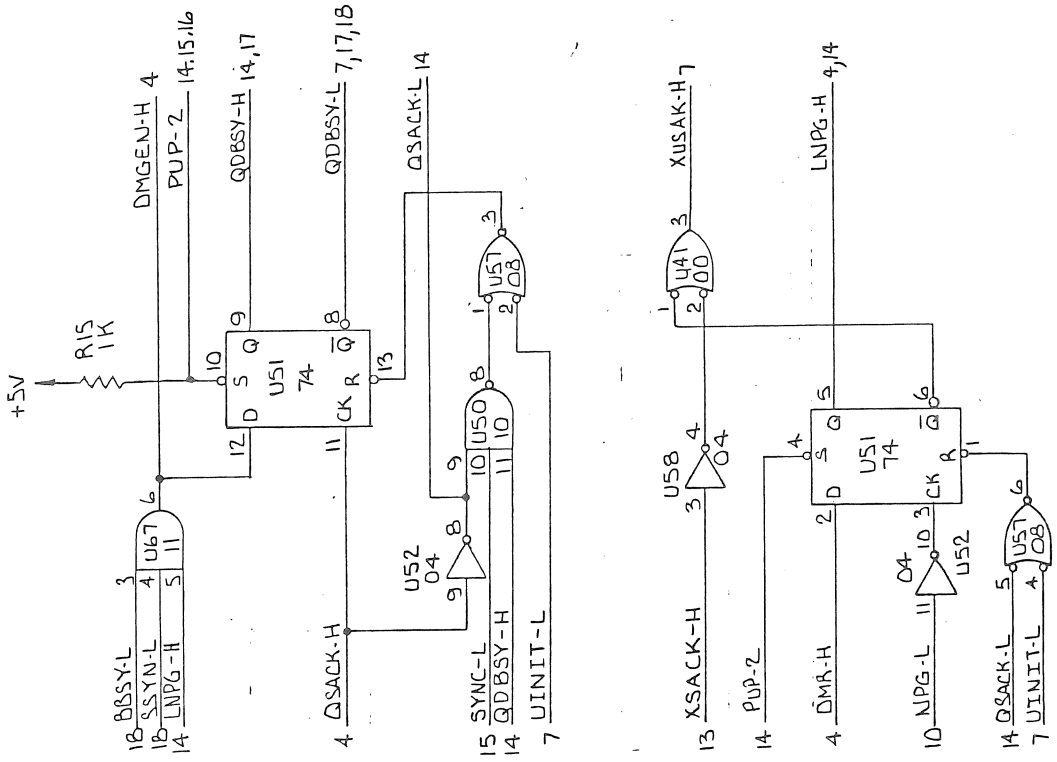


Q-BUS INTERRUPT LOGIC - UNIBUS ARBITRATION

THE INFORMATION CONTAINED HEREIN IS THE PROPERTY OF  
 THE UNITED STATES GOVERNMENT AND IS LOANED TO YOUR  
 AGENCY BY THE INFORMATION SYSTEMS AND SUPPORT  
 DIVISION OF THE NATIONAL BUREAU OF STANDARDS  
 (NBS). IT IS TO BE USED ONLY FOR THE SPECIFIC  
 PURPOSES FOR WHICH IT IS LOANED AND IS NOT TO BE  
 REPRODUCED OR TRANSMITTED IN ANY FORM OR BY  
 ANY MEANS, ELECTRONIC OR MECHANICAL, INCLUDING  
 PHOTOCOPYING, RECORDING, OR BY ANY INFORMATION  
 STORAGE AND RETRIEVAL SYSTEM.

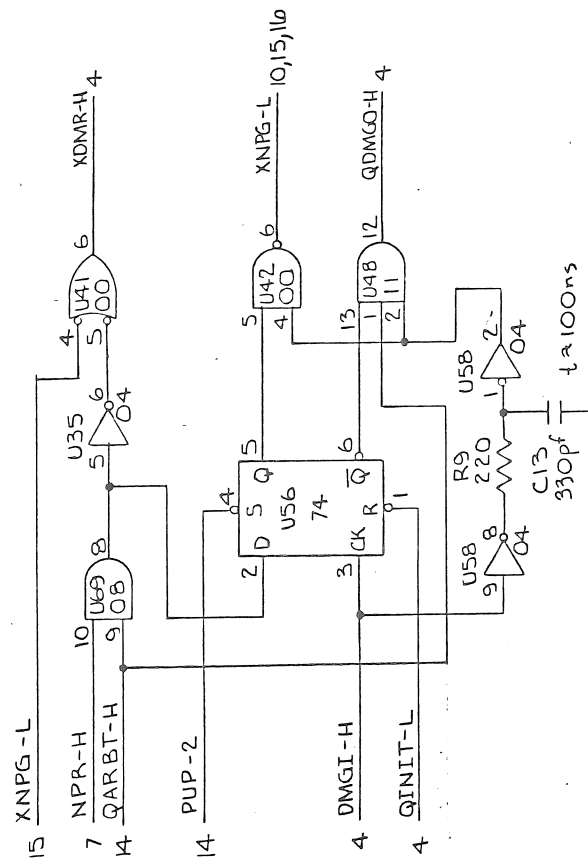
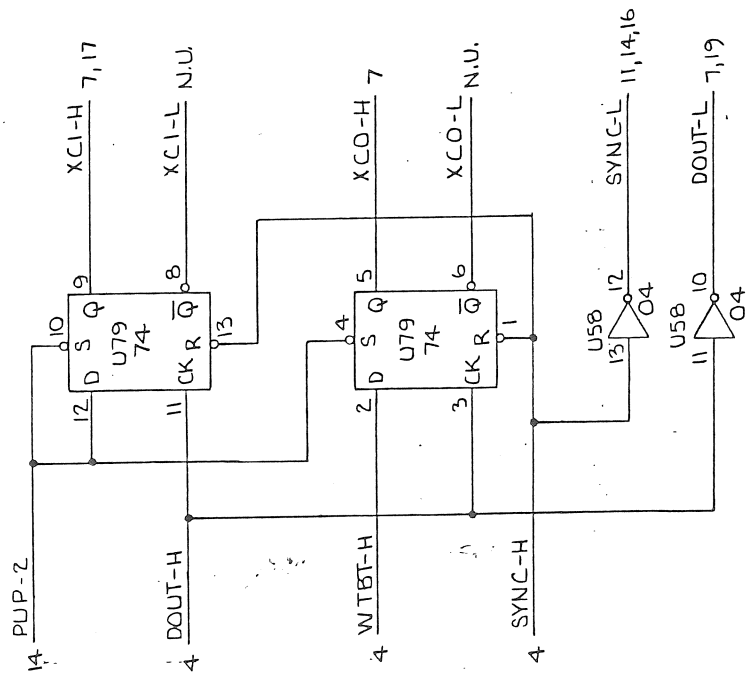


ARBITRATION SELECTION

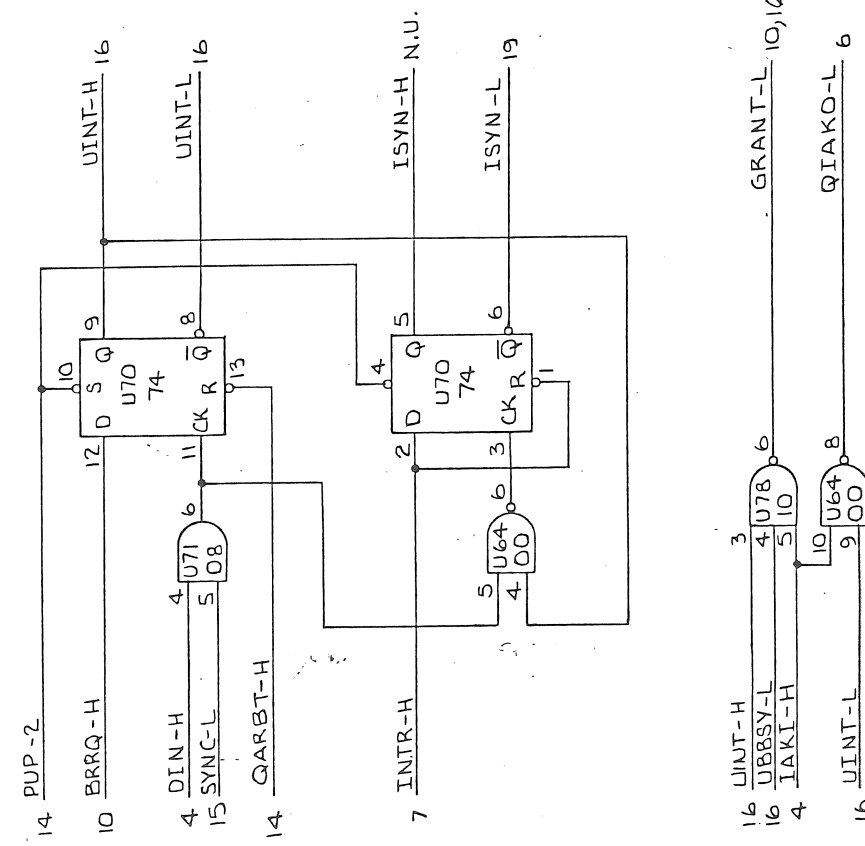


Q-BUS DMA-UNIBUS ARBITRATOR

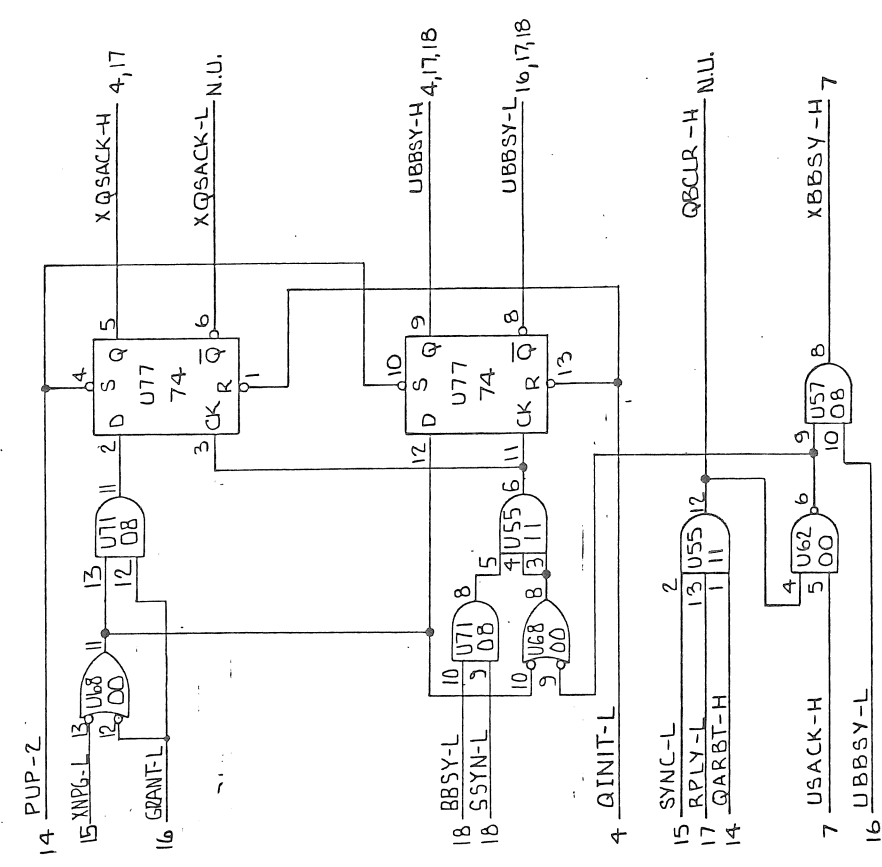
The information contained herein is the property of the United States Government and is loaned to you for your information and use only. It is not to be distributed outside your agency. If you have any questions concerning this information, please contact the source from which it was obtained.



THIS DOCUMENT CONTAINS NEITHER RECOMMENDATIONS NOR  
 CONCLUSIONS OF THE NATIONAL BUREAU OF STANDARDS  
 AND IS NOT INTENDED TO REPRESENT THE NATIONAL BUREAU OF  
 STANDARDS. IT IS THE PROPERTY OF THE NATIONAL BUREAU OF  
 STANDARDS AND IS LOANED TO YOUR ORGANIZATION; IT AND  
 ITS CONTENTS ARE NOT TO BE REPRODUCED IN ANY MANNER  
 WITHOUT EXPRESS AUTHORIZATION FROM THE NATIONAL BUREAU OF  
 STANDARDS.



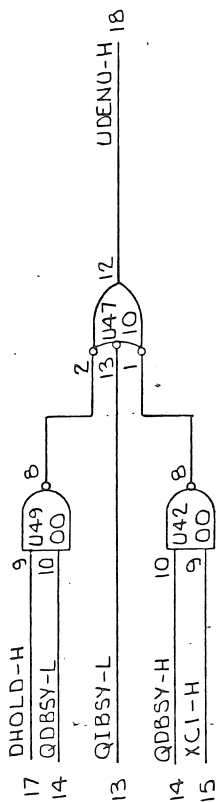
INTERRUPT CONTROL-Q BUS ARBITRATOR



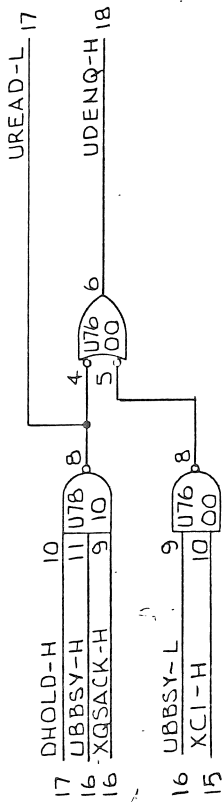
BUS CONTROL-Q BUS ARBITRATOR



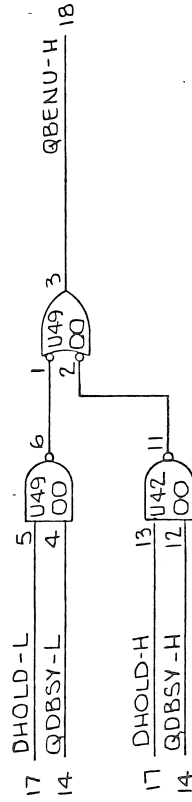
THE INFORMATION CONTAINED HEREIN IS THE PROPERTY OF  
 AND IS LOANED TO YOU BY THE U.S. GOVERNMENT. IT IS  
 TO BE USED FOR THE SPECIFIC PURPOSES AUTHORIZED BY  
 THE U.S. GOVERNMENT AND IS NOT TO BE DISTRIBUTED  
 OUTSIDE YOUR AGENCY. IT IS TO BE RETURNED TO THE  
 U.S. GOVERNMENT AT THE END OF THE LOAN PERIOD.  
 THIS INFORMATION IS NOT TO BE REPRODUCED OR  
 TRANSMITTED IN ANY FORM OR BY ANY MEANS,  
 ELECTRONIC OR MECHANICAL, INCLUDING PHOTOCOPYING,  
 RECORDING, OR BY ANY INFORMATION STORAGE AND  
 RETRIEVAL SYSTEM, WITHOUT PERMISSION FROM THE  
 U.S. GOVERNMENT.



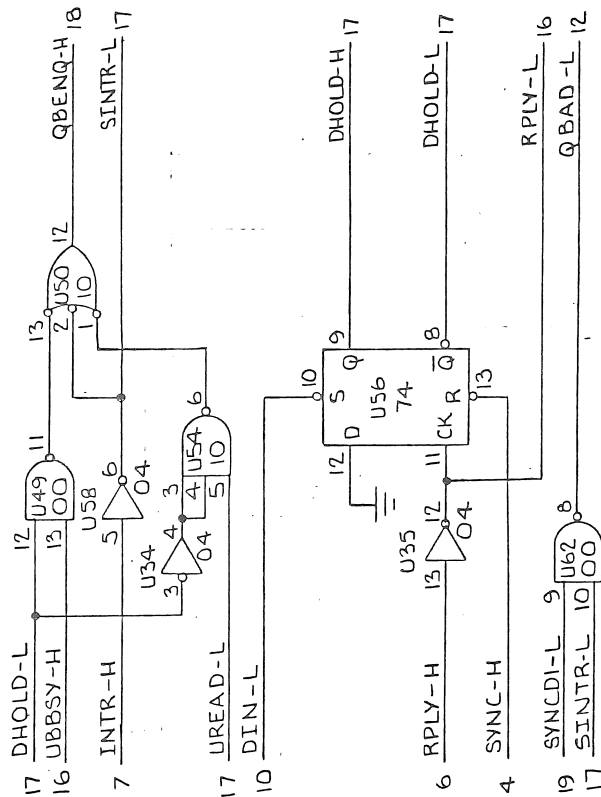
UNIBUS DATA ENABLE - UNIBUS ARBITRATION



UNIBUS DATA ENABLE - Q-BUS ARBITRATION

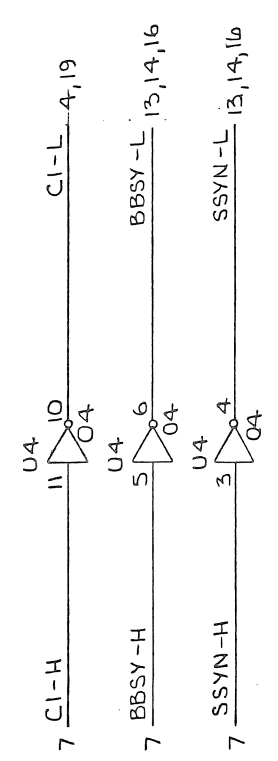
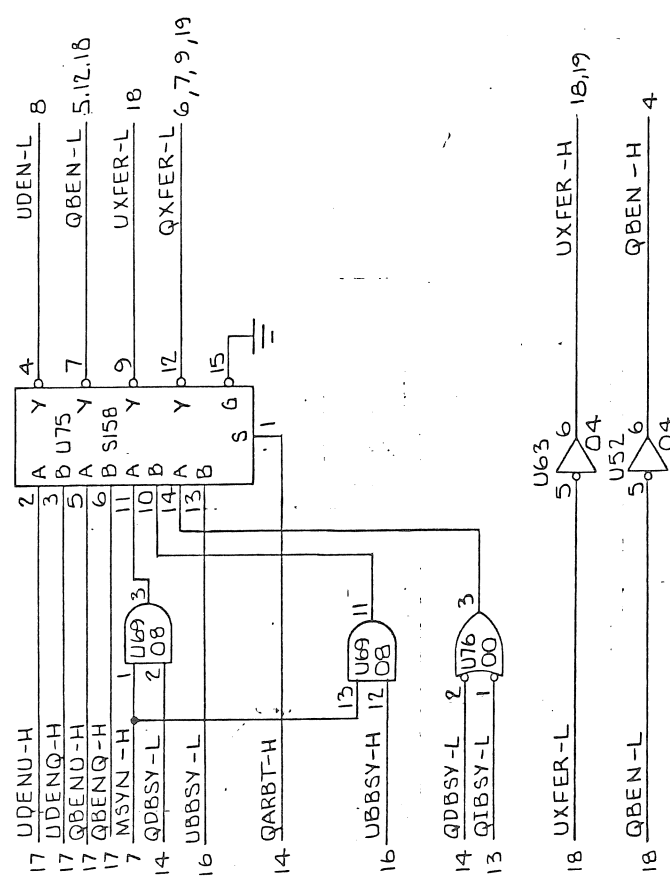


Q-BUS ENABLE - UNIBUS ARBITRATION

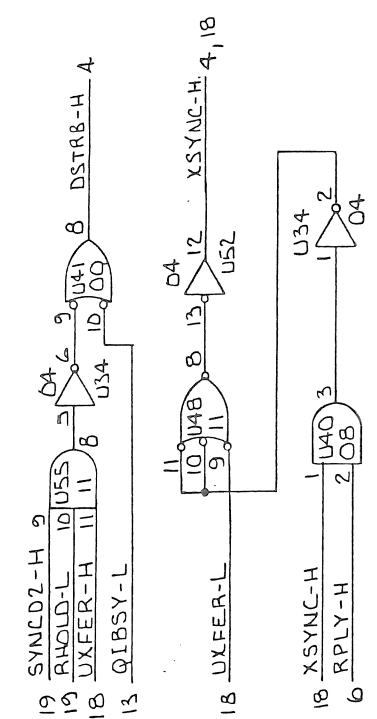


Q BUS ENABLE - Q BUS ARBITRATION

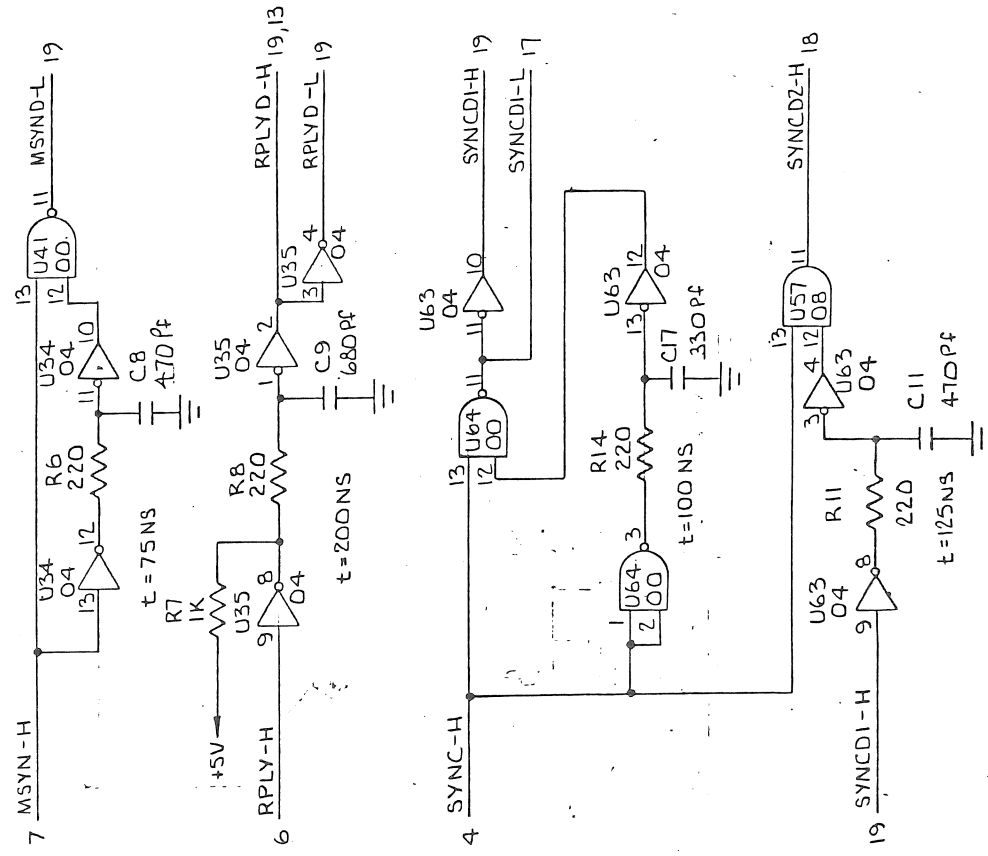
THE INFORMATION CONTAINED HEREIN IS THE PROPERTY OF  
 THE UNITED STATES GOVERNMENT AND IS LOANED TO YOU  
 FOR YOUR INFORMATION ONLY. IT IS TO BE REPRODUCED  
 OR TRANSMITTED IN ANY FORM OR BY ANY MEANS  
 ELECTRONIC OR MECHANICAL, INCLUDING PHOTOCOPYING,  
 RECORDING, OR BY ANY INFORMATION STORAGE AND  
 RETRIEVAL SYSTEM, WITHOUT PERMISSION IN WRITING  
 FROM THE UNITED STATES GOVERNMENT.



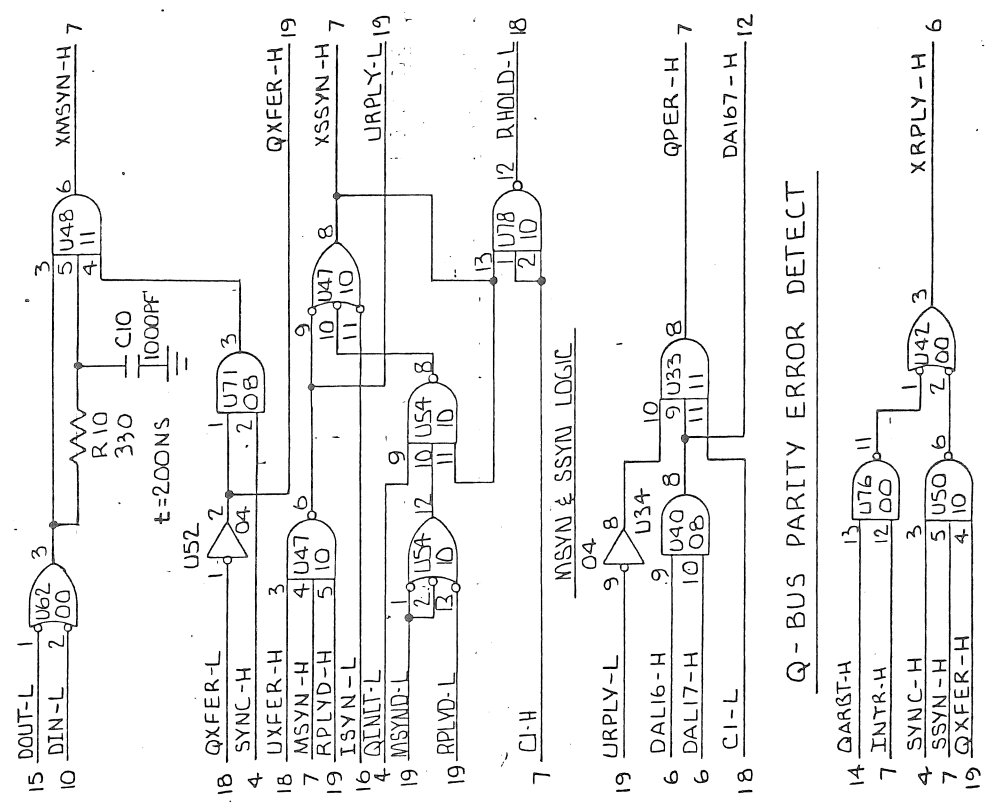
UNIBUS ADDRESS ENABLE



THE INFORMATION CONTAINED HEREIN IS THE PROPERTY OF  
 AND IS LOANED TO YOU BY THE UNIVERSITY OF  
 CALIFORNIA. IT IS TO BE USED ONLY FOR THE  
 PURPOSES FOR WHICH IT WAS LOANED. IT IS NOT TO BE  
 REPRODUCED OR TRANSMITTED IN ANY FORM OR BY  
 ANY MEANS, ELECTRONIC OR MECHANICAL, INCLUDING  
 PHOTOCOPYING, RECORDING, OR BY ANY INFORMATION  
 STORAGE AND RETRIEVAL SYSTEM, WITHOUT THE  
 EXPRESS WRITTEN PERMISSION OF THE UNIVERSITY OF  
 CALIFORNIA.



MISC. TIMING CKTS.



Q-BUS PARITY ERROR DETECT

REPLY