

digital

DXII-B
Engineering Drawings
Digital Equipment Corporation

The material herein is for information purposes only and is subject to change without notice. Digital Equipment Corporation assumes no responsibility for any errors which may appear herein.

These drawings and specifications herein are the property of Digital Equipment Corporation and shall not be reproduced or copied or used in whole or in part as the basis for the manufacture or sale of items without written permission.
Copyright © 1975, Digital Equipment Corporation

CUSTOMER PRINT SET INDEX

THIS IS PRINT SET

Print Set Type **SEQUENCE**
 Drawing Directory
 DX11-B Unit Assy.
 Module Utilization
 Module Utilization
 Flow Diag. (Phase Ind. Seq.)
 DXDS DX Device Status
 DXCS Control Unit Status
 DXBA DX Bus Address
 DXBC DX BYTE Counter
 CUSR
 DXND NPR Data Reg.
 DXCB DX Control Bits
 DXMO/=CONO
 DXMI Control In/Bus In
 TTNDX Tumble Table Index
 CUAR Cont. Unit Address Reg.
 CUCR Cont. Unit Control Reg.
 Unibus Interface
 NPR and Int. Control
 Data Bus MUX
 Clock. Phase & Time State Gen.
 DMOB-CONO BUFF/BUSO BUFF.
 Indicator Conn.
 General Controls
 Sig & Gates
 Parity & Addr Compare
 IBM Interface
 Unibus Connectors
 Select Bypass & Power FATL
 Wire List
 Wire Testor Revision Status
 Power Supply
 Power Supply CS
 Power Control
 Power Control CS
 Power Control CS
 Regulator Board CS
 Parts List
 Engineering Spec.
 Accessory List
 (By-Pass) 360 Power Select
 360 Cable Receiver
 360 Cable Driver

SEQUENCE
 B-DD-DX11-B
 (Sht. 1 only)
 D-UA-DX11-B-0
 D-MU-DX11-B-01
 A-PL-DX11-B-01
 D-FD-DX11-B-04
 D-BS-DX11-B-05
 D-BS-DX11-B-06
 D-BS-DX11-B-07
 D-BS-DX11-B-08
 D-BS-DX11-B-09
 D-BS-DX11-B-10
 D-BS-DX11-B-11
 D-BS-DX11-B-12
 D-BS-DX11-B-13
 D-BS-DX11-B-14
 D-BS-DX11-B-15
 D-BS-DX11-B-16
 D-BS-DX11-B-17
 D-BS-DX11-B-18
 D-BS-DX11-B-19
 D-BS-DX11-B-20
 D-BS-DX11-B-21
 D-IC-DX11-B-22
 D-BS-DX11-B-24
 D-BS-DX11-B-25
 D-BS-DX11-B-26
 D-BS-DX11-B-27
 D-IC-DX11-B-28
 D-BS-DX11-B-29
 K-WL-DX11-B-30
 A-WT-7008719-0
 D-UA-H740-0
 D-CS-5409728-0
 E-UA-861-0-0
 D-CS-861-B-1
 D-CS-861-C-1
 D-CS-5410206-0-1
 A-PL-DX11-B-0
 K-FS-DX11-B-31
 A-AL-DX11-B-35
 D-CS-G890-01
 C-CS-M597-0-1
 C-CS-M697-0-1

SEQUENCE
 Unibus Addr Selector
 6 QUAD NOR Gate
 3-Input NAND Gate
 6-4 Input NAND Gate
 Unibus NPR Control
 Unibus Interrupt Control
 3-8 Input NAND Gate
 4 Line to 16 Line Decoder
 Six Flips Flops
 Synchronous 4-Bit Up/Down Counter
 High Speed Power Inverter Selector
 Parity Circuit
 Gating Module
 5 "D" Flip Flops
 Resistor Terminator
 Circuit Schemati 716
 EPO PN L ASSY
 Misc Controls & EPO Schematic
 IBM 360 Cable ASSY
 IBM 360 Cable Assy
 CRYSTAL CLOCK

SEQUENCE
 B-CS-M105-01
 B-CS-M116-0-1
 B-CS-M135-0-1
 B-CS-M137-0-1
 B-CS-M796-0-1
 B-CS-M7821-0-1
 B-CS-M139-0-1
 B-CS-M155-0-1
 B-CS-M216-0-1

 B-CS-M238-0-1
 B-CS-M611-0-1
 B-CS-M1713-0-1
 B-CS-M162-0-1
 C-CS-M169-0-1
 B-CS-M205-0-1
 C-CS-M984-0-1
 C-CS-716-0-1
 E-AD-7008792-0-0
 D-CS-7008792-0-1
 D-IA-7008919-0-0
 D-IA-7008920-0-0
 B-CS-M405-0-1

PRINT SET TYPE 2
NONE

Mfg Print Set
(No Order Required, See Mfg. Set Requirement.)

| UNIT VARIATIONS | | PRINT SET | |
|-----------------|----------------------------|-----------|---|
| VAR | TITLE | 1 | 2 |
| DX11-BA | DX11-B H950 CAB 115V 60 HZ | x | |
| DX11-BB | DX11-B H950 CAB 230V 50 HZ | x | |
| DX11-BC | DX11-B H957 CAB 115V 60 HZ | x | |
| DX11-BD | DX11-B H957 CAB 230V 50 HZ | x | |
| DX11-BE | DX11-B H950 CAB 115V 60 HZ | | x |
| DX11-BF | DX11-B H950 CAB 230V 50 HZ | | x |
| DX11-BG | DX11-B H957 CAB 115V 60 HZ | | x |
| DX11-BH | DX11-B H957 CAB 230V 50 HZ | | x |

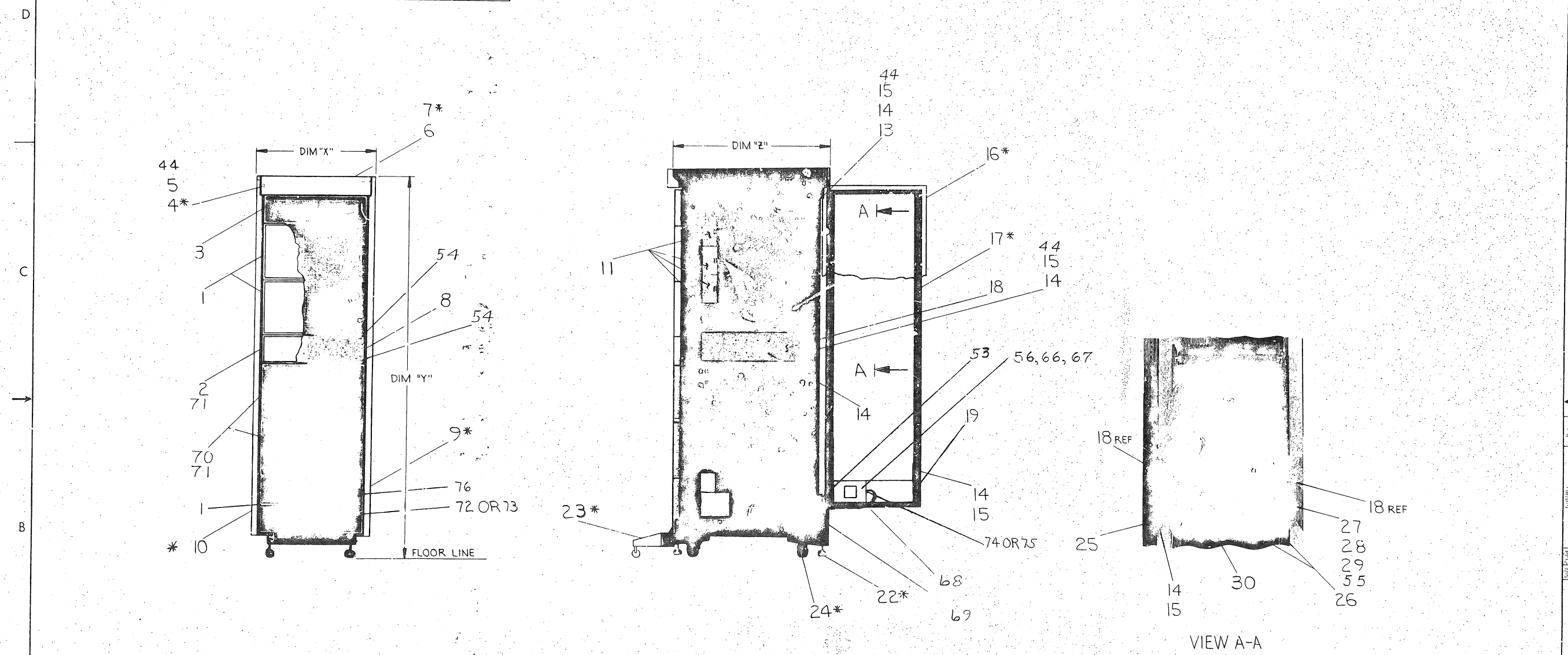
| REVISIONS | DATE | CHG. NO. | REV | | | | | | | | | | | | | | | | | |
|-----------|-------|----------|-----|---|---|---|---|---|---|---|---|---|----|--|--|--|--|--|--|--|
| | | | N | P | R | S | T | U | V | W | Y | Z | AA | | | | | | | |
| | 9-74 | DX11B-17 | N | | | | | | | | | | | | | | | | | |
| | 10-74 | DX11B-18 | P | | | | | | | | | | | | | | | | | |
| | 5-75 | DX11B-19 | R | | | | | | | | | | | | | | | | | |
| | 5-75 | DX11B-20 | S | | | | | | | | | | | | | | | | | |
| | 11-75 | DX11B-21 | T | | | | | | | | | | | | | | | | | |
| | 12-75 | DX11B-22 | U | | | | | | | | | | | | | | | | | |
| | 7-76 | DX11B-23 | V | | | | | | | | | | | | | | | | | |
| | 11-76 | DX11B-24 | W | | | | | | | | | | | | | | | | | |
| | 3-77 | DX11B-25 | Y | | | | | | | | | | | | | | | | | |
| | 9-77 | DX11B-26 | Z | | | | | | | | | | | | | | | | | |
| | 11-77 | DX11B-27 | AA | | | | | | | | | | | | | | | | | |

| USED ON OPTION/MODEL | | DRN. | DATE | TITLE | | | |
|----------------------|--|-------------|---------|------------------|------|--------|-----|
| PDP 11 | | Sid Roberts | 6/7/72 | DX11-B UNIT ASSY | | | |
| | | CHK'D. | DATE | | | | |
| | | J. Cahill | 6/8/72 | | | | |
| | | PROJ ENG. | DATE | | | | |
| | | R. Dieter | 6/13/72 | | | | |
| | | PROD. | DATE | SIZE | CODE | NUMBER | REV |
| | | P. Tazio | 6/13/72 | B | DD | DX11-B | AA |
| | | FIELD SERV. | DATE | | | | |
| | | I. Jarvi | 6/13/72 | | | | |
| SHEET 1 OF 8 | | DIST | | | | | |

This drawing and specification herein are the property of Digital Equipment Corporation and shall not be reproduced or copied or used in whole or in part as the basis for the manufacture or sale of items without written permission.

| LEGEND | | | |
|-----------|---------|---------|---------|
| VARIATION | DIM "X" | DIM "Y" | DIM "Z" |
| DXII-BA | 21.69 | 71.44 | 28.19 |
| DXII-BB | | | |
| DXII-BC | 21.69 | 49.65 | 28.19 |
| DXII-BD | | | |

NOTES:
1. * INDICATES ITEM NO. TO BE USED WITH UNIT OPTIONS DXII-BC & DXII-BD



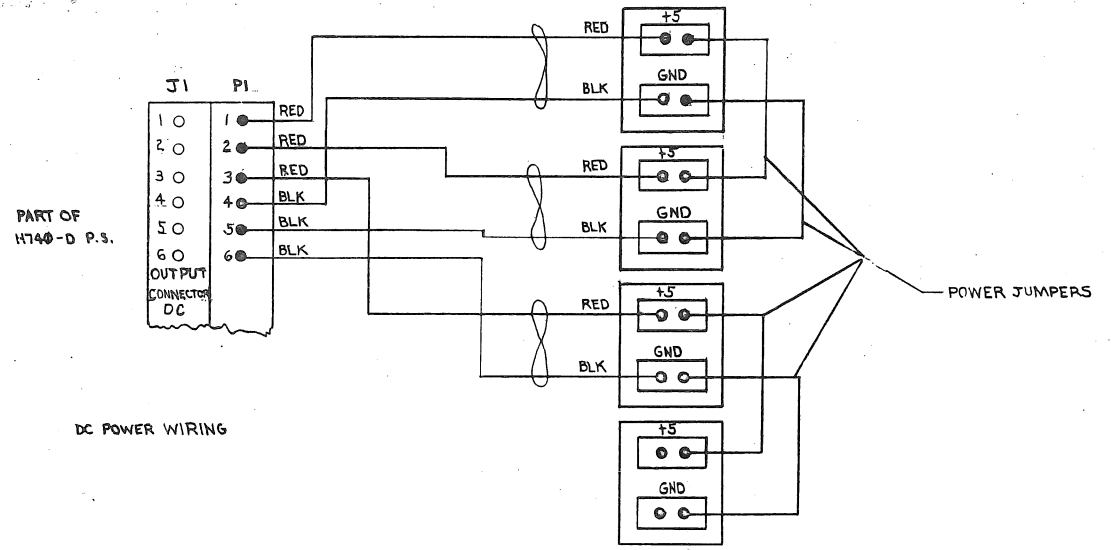
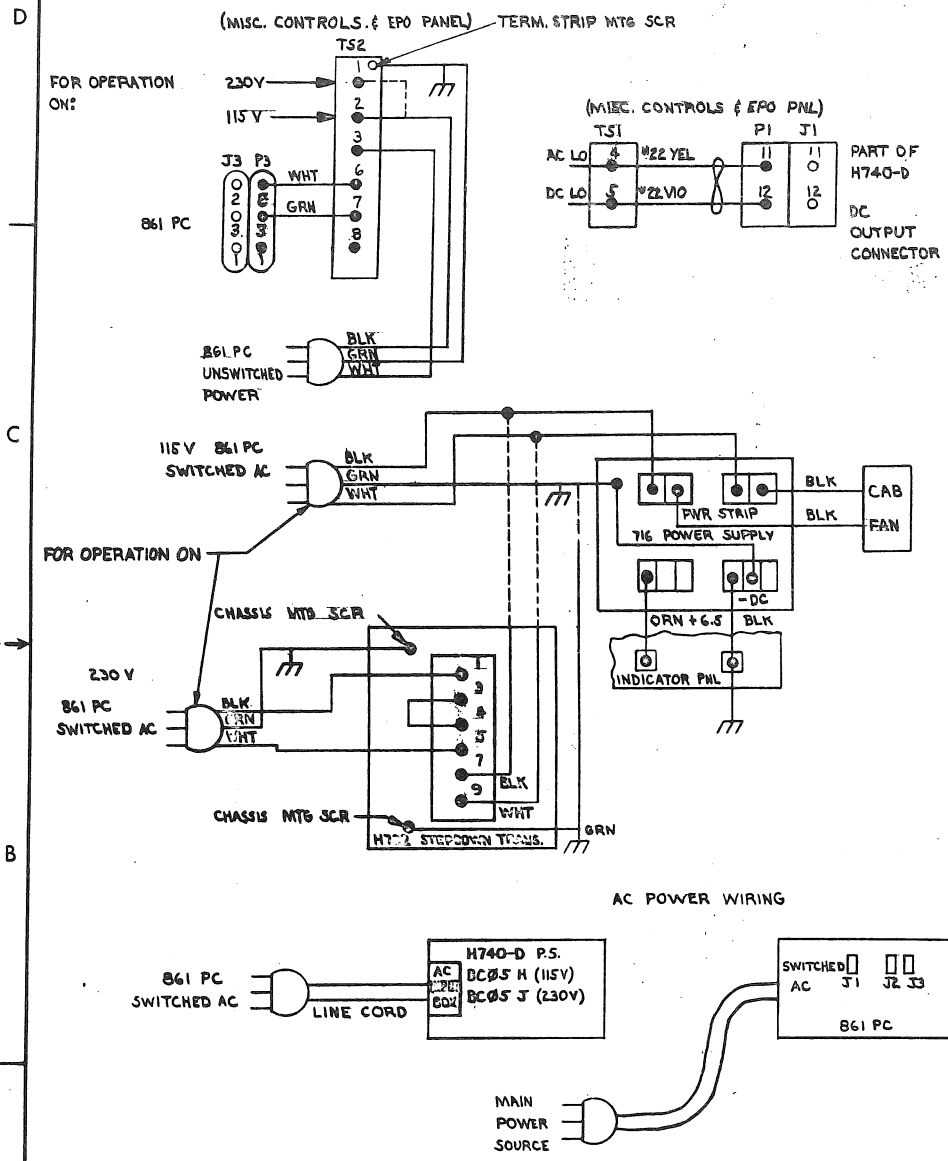
| CHK | CHANGE NO | REV |
|-----|-----------|-----|
| | 005 | A |
| | | B |
| | | C |
| | | D |

DIETER
V. BASTIANI
R. DIETER

| FIRST USED ON OPTION/MODEL | QTY. | DESCRIPTION | PART NO. | ITEM NO. |
|---|-------------------|--------------|--|----------|
| DXII-B | | | | |
| PARTS LIST | | | | |
| UNLESS OTHERWISE SPECIFIED DIMENSION IN INCHES TOLERANCES | DATE | DATE | digital CORPORATION UNIT ASSY (DXII-B) | |
| DECIMALS ANGLES | 5/1/72 | 5/23/72 | | |
| XXX .001 XX .01 X .1 | ± 0" 30' | | | |
| RELIEVE SHARP CORNERS AND BREAK SHARP | DATE | DATE | | |
| MATERIAL | PROJ. ENG. | DATE | | |
| FINISH | PHOD. | DATE | | |
| | NEXT HIGHER ASSY. | | | |
| | B-DD-DXII-B | SCALE NONE | SIZE CODE | NUMBER |
| | | SHEET 1 OF 2 | DUA | DXII-B-Ø |
| | | | DIST | REV. D |

"THIS DRAWING AND SPECIFICATIONS, HEREIN, ARE THE PROPERTY OF DIGITAL EQUIPMENT CORPORATION AND SHALL NOT BE REPRODUCED OR COPIED OR USED IN WHOLE OR IN PART AS THE BASIS FOR THE MANUFACTURE OR SALE OF ITEMS WITHOUT WRITTEN PERMISSION. COPYRIGHT © 1973, DIGITAL EQUIPMENT CORPORATION"

NOTE:
1. UNLESS OTHERWISE SPECIFIED, ALL AC AND DC WIRING TO BE #14 AWG.



| | | |
|-----|----|------|
| REV | NO | DATE |
| 1 | | |
| 2 | | |
| 3 | | |
| 4 | | |
| 5 | | |
| 6 | | |
| 7 | | |
| 8 | | |

| FIRST USED ON OPTION/MODEL | QTY. | DESCRIPTION | PART NO. | ITEM NO. |
|--|-------------------|---------------|---|--------------------|
| DX11-B | | | | |
| UNLESS OTHERWISE SPECIFIED DIMENSION IN INCHES | | | | |
| TOLERANCES | DRN. S ROBERTS | DATE 5-15-72 | digital EQUIPMENT CORPORATION MAYNARD MASSACHUSETTS | |
| DECIMALS .xxx = .005 | CHK'D. J CAHILL | DATE 5-17-72 | | |
| ANGLES ±0° 30' | ENG. R DIETER | DATE 5-31-72 | TITLE UNIT ASSY DX11-B | |
| PROJ. ENG. R DIETER | DATE 5-31-72 | PROD. P FAZIO | | |
| MATERIAL | NEXT HIGHER ASSY. | B-DD-DX11-B | SIZE CODE D UJA | NUMBER DX11-B-Ø |
| FINISH | SCALE | SHEET 2 OF 2 | DIST. | REV. D |

REV D
NUMBER
D UJA DX11-B-Ø

This drawing and specifications, herein, are the property of Digital Equipment Corporation and shall not be reproduced or copied in whole or in part as the basis for the manufacture or sale of items without written permission. 1972

| USAGE | 1 | 2 | 3 | 4 | 5 | 6 | 7 | 8 | 9 | 10 | 11 | 12 | 13 | 14 | 15 | 16 | 17 | 18 | 19 | 20 | 21 | 22 | |
|-------|--------|--------|--------|--------|--------|--------|--------|--------|--------|--------|--------|--------|--------|--------|---------|--------|--------|--------|--------|--------|--------|--------|--------|
| D | M103 | M115 | M112 | M133 | M135 | M135 | M111 | M112 | M113 | M216 | M216 | M216 | M216 | M216 | M216 | M216 | M216 | M216 | M216 | M216 | M216 | M216 | |
| A | SIG14 | BADB | SIG5 | SIG6 | SIG12 | SIG1B | SIG7 | SIG12A | SRND | SIG3 | ON | LOADR1 | BLLF | DSCRSP | F7-5TCU | CONOB | DXND | CONOB | DXND | CONOB | DXND | CONOB | DXND |
| B | CHCEND | SYNC | BANX | CRSRND | ARSO | CRSO1 | SIG2 | SRNDH | FTCU | SIG1B | FASTX | DXND | DXND | DXND | DXND | CONOB | CUCR | CUAR | CUCR | CUAR | CUCR | CUAR | CUCR |
| C | ISSREJ | SIG14 | SRSO | BIAR | CRSO1 | SIG9 | SIG6A | SISR | SIG1B | SIG14 | SIG1 | SIG4 | SIG1 | SIG4 | SIG1 | SIG1 | SIG4 | SIG1 | SIG4 | SIG1 | SIG4 | SIG1 | SIG4 |
| A | TTNDX | TTNDX | TTNDX | TTNDX | TTNDX | TTNDX | TTNDX | TTNDX | TTNDX | TTNDX | TTNDX | TTNDX | TTNDX | TTNDX | TTNDX | TTNDX | TTNDX | TTNDX | TTNDX | TTNDX | TTNDX | TTNDX | TTNDX |
| B | DEVCOM | ADRECC | ADRECC | ADRECC | ADRECC | ADRECC | ADRECC | ADRECC | ADRECC | ADRECC | ADRECC | ADRECC | ADRECC | ADRECC | ADRECC | ADRECC | ADRECC | ADRECC | ADRECC | ADRECC | ADRECC | ADRECC | ADRECC |

REVISIONS

| CHK | CHANGE NO. | REV. |
|-----|-------------|------|
| 1 | DX11B-00005 | A |
| 2 | DIETER | B |
| 3 | DIETER | C |
| 4 | DIETER | D |
| 5 | DIETER | E |
| 6 | DIETER | F |
| 7 | DIETER | G |
| 8 | DIETER | H |
| 9 | DIETER | I |
| 10 | DIETER | J |
| 11 | DIETER | K |
| 12 | DIETER | L |
| 13 | DIETER | M |
| 14 | DIETER | N |
| 15 | DIETER | O |
| 16 | DIETER | P |
| 17 | DIETER | Q |
| 18 | DIETER | R |
| 19 | DIETER | S |
| 20 | DIETER | T |
| 21 | DIETER | U |
| 22 | DIETER | V |
| 23 | DIETER | W |
| 24 | DIETER | X |
| 25 | DIETER | Y |
| 26 | DIETER | Z |

FIRST USED ON OPTION / MODEL

PDP-11

| CHK | CHANGE NO. | REV. |
|-----|-------------|------|
| 1 | DX11B-00005 | A |
| 2 | DIETER | B |
| 3 | DIETER | C |
| 4 | DIETER | D |
| 5 | DIETER | E |
| 6 | DIETER | F |
| 7 | DIETER | G |
| 8 | DIETER | H |
| 9 | DIETER | I |
| 10 | DIETER | J |
| 11 | DIETER | K |
| 12 | DIETER | L |
| 13 | DIETER | M |
| 14 | DIETER | N |
| 15 | DIETER | O |
| 16 | DIETER | P |
| 17 | DIETER | Q |
| 18 | DIETER | R |
| 19 | DIETER | S |
| 20 | DIETER | T |
| 21 | DIETER | U |
| 22 | DIETER | V |
| 23 | DIETER | W |
| 24 | DIETER | X |
| 25 | DIETER | Y |
| 26 | DIETER | Z |

DO NOT SCALE DRAWING

UNLESS OTHERWISE SPECIFIED

DECIMALS FRACTIONS ANGLES

FINAL SURFACE QUALITY REMOVE BURRS AND BREAK SHARP CORNERS

MATERIAL

FINISH

SHEET

DRN

DATE

CHK'D

DATE

ENG.

DATE

PROJ. ENG.

DATE

PROD.

DATE

NEXT HIGHER ASSY

B-DD-DX11-B

SCALE NONE

SHEET

digital EQUIPMENT CORPORATION

MAINTAINED MANUFACTURED

MODULE UTILIZATION

SIZE CODE

NUMBER

REV.

N

This drawing and specifications herein are the property of Digital Equipment Corporation and shall not be reproduced or copied or used in whole or in part as the basis for the manufacture or sale of items without written permission. 1972

| | | 1 | | 2 | | 3 | | 4 | | 5 | | 6 | | 7 | | 8 | | 9 | | 10 | | 11 | | 12 | | 13 | | 14 | | 15 | | 16 | | 17 | | 18 | | 19 | | 20 | | 21 | | 22 | | |
|-------|--------|--------|--------|--------|---------|---------------|-------|--------|----------|--------|-----------|-------|--------|----------|------|--------|---------|------|--------|-------|--------|-------|-------|-------|-------|-------|------|--------|-------|-------|--------|------|-------|-------|-------|--------|------|------|------|-------|------|------|------|----|--|--|
| | | M112 | M133 | M133 | M159 | M137 | M116 | M111 | M121 | M121 | M205 | M205 | M205 | M205 | M205 | M205 | M205 | M205 | M205 | M205 | M205 | M205 | M205 | M205 | M205 | M205 | M205 | M205 | M205 | M205 | M205 | M205 | M205 | M205 | M205 | M205 | M205 | M205 | M205 | M205 | M205 | M205 | M205 | | | |
| USAGE | | 2 | | 2 | | 2 | | 2 | | 2 | | 2 | | 2 | | 2 | | 2 | | 2 | | 2 | | 2 | | 2 | | 2 | | 2 | | 2 | | 2 | | 2 | | 2 | | 2 | | 2 | | 2 | | |
| D | CUD | CMDCHN | SETPH4 | SETPH3 | FUNEQ0 | SIG8 OR WCRSR | SIG59 | BANDSO | DXRE SET | SIG17 | LOAD DXBA | SIG5 | SETPH4 | SIG11 | SRVI | CUFEM | EN FCTN | GO | UEXCEP | FCTN1 | UCHECK | FCTN2 | DEVEN | XBA16 | CHEND | XBA17 | BSY | STKSTA | CUEND | INTEN | STAMOD | DONE | ATTEN | CUBSY | SG 14 | ONLINA | SRV0 | | CMDO | BSYEN | ADR0 | SUP0 | | | | |
| | CUI | CMDCHN | SETPH4 | FUNEQ1 | WCRSR | | | BISR | | | | CRS01 | ESTI0 | SETPH2 | | STKSTA | | | | | | | | | | | | | | | | | | | | | | | | | | | | | | |
| | CHDENC | | CUI6 | FUNEQ2 | INSA 08 | | | | | | | | TESTI0 | COUNT BA | | | | | | | | | | | | | | | | | | | | | | | | | | | | | | | | |
| | ESEND | CMDCHN | SETPH3 | S17FN1 | FUNG3 | E1SR | | CUSRN2 | | SETPH3 | FTCU | LOCKO | | | | | | | | | | | | | | | | | | | | | | | | | | | | | | | | | | |
| C | CUEND | CMDREJ | SETPH3 | CUI5 | SETPH1 | COUNT BA | | | | | | | | | | | | | | | | | | | | | | | | | | | | | | | | | | | | | | | | |
| | | | | | | | | | | | | | | | | | | | | | | | | | | | | | | | | | | | | | | | | | | | | | | |
| | | | | | | | | | | | | | | | | | | | | | | | | | | | | | | | | | | | | | | | | | | | | | | |
| | | | | | | | | | | | | | | | | | | | | | | | | | | | | | | | | | | | | | | | | | | | | | | |
| B | | | | | | | | | | | | | | | | | | | | | | | | | | | | | | | | | | | | | | | | | | | | | | |
| | | | | | | | | | | | | | | | | | | | | | | | | | | | | | | | | | | | | | | | | | | | | | | |
| | | | | | | | | | | | | | | | | | | | | | | | | | | | | | | | | | | | | | | | | | | | | | | |
| | | | | | | | | | | | | | | | | | | | | | | | | | | | | | | | | | | | | | | | | | | | | | | |

| | | | |
|---|------------|------|--|
| A | REVISIONS | REV. | |
| | CHANGE NO. | | |
| | | | |
| | | | |

| | |
|--|-----------------------|
| FIRST USED ON OPTION / MODEL | PDP-11 |
| DO NOT SCALE DRAWING | |
| UNLESS OTHERWISE SPECIFIED DIMENSION IN INCHES | |
| TOLERANCES | |
| DECIMALS FRACTIONS ANGLES | = .005 = 1/64 = 0°30' |
| FINAL SURFACE QUALITY | |
| REMOVE BURRS AND BREAK SHARP CORNERS | |
| MATERIAL | |
| FINISH | |

| | | |
|------------------|--------|--|
| DRN. | DATE | |
| CHK'D. | DATE | |
| APP'D. | DATE | |
| PROJ. ENG. | DATE | |
| PROD. ENG. | DATE | |
| NEXT HIGHER ASSY | | |
| B DD-DX11-B | | |
| SCALE | NONE | |
| SHEET | 2 OF 4 | |

| | | | |
|-------------------------------|-----------|-----------------------|--|
| digital EQUIPMENT CORPORATION | | MAYNARD MASSACHUSETTS | |
| MODULE UTILIZATION | | | |
| SIZE CODE | NUMBER | REV | |
| D MU | DX11-B-01 | N | |

This drawing and specifications, herein, are the property of Digital Equipment Corporation and shall not be reproduced or copied or used in whole or in part as the basis for the manufacture or sale of items without written permission. 1977

| | | | | | | | | | | | | | | | | | | | | | | |
|-------|---|---|---|---|---|---|---------------|---------------|----------|----------|----------|---------------|--------|---------------|---------------|---------------|---------------|---------------|--------------|--------------|--------------|--------------|
| | 1 | 2 | 3 | 4 | 5 | 6 | 7 | 8 | 9 | 10 | 11 | 12 | 13 | 14 | 15 | 16 | 17 | 18 | 19 | 20 | 21 | 22 |
| USAGE | 2 | 2 | 2 | 2 | 2 | 2 | M597 | M597 | M697 | M697 | M697 | M697 | M697 | M697 | M697 | M697 | M697 | M697 | M697 | M697 | M697 | M697 |
| D | | | | | | | | | BUS IN 5 | BUS IN 1 | | | | | | | | | TSTOPL OUT | RBUS1 07 | RADR1 | RSRVI |
| H | | | | | | | | | BUS IN 4 | BUS IN 0 | BUS IN P | | | | | | | | TSTSUP OUT | RBUS1 05 | RBUS1 03 | RBUS1 01 |
| | | | | | | | | | BUS IN 7 | BUS IN 3 | REQ IN | | | | | | | | TSTSEL OUT | RSTA1 | RBUS1 | ROPLI |
| | | | | | | | | | BUS IN 6 | BUS IN 2 | OPL IN | | | | | | | | TSTHLD OUT | RBUS1 06 | RBUS1 04 | RBUS1 02 |
| | | | | | | | IBM INTERFACE | IBM INTERFACE | M597 | M597 | M697 | IBM INTERFACE | M597 | IBM INTERFACE | IBM INTERFACE | IBM INTERFACE | IBM INTERFACE | IBM INTERFACE | M697 | M697 | M697 | 7597 |
| USAGE | 2 | 2 | 2 | 2 | 2 | 2 | | | BUS0 03 | CMDD | BUS0 07 | SUP0 | STA IN | PAR0 | CLKO | | | | TSTADR OUT | TSTBUS OUT 0 | TSTBUS OUT 4 | TSTBUS OUT 7 |
| C | | | | | | | | | BUS0 01 | | BUS0 05 | ADR IN | SEL IN | OPLD | HLDD | | | | TSTBUS OUT 3 | TSTBUS OUT 2 | TSTBUS OUT 6 | TSTBUS OUT 5 |
| J | | | | | | | | | SRV0 | BUS0 | ADRO | SRV IN | | | | | | | TSTSRV OUT | TSTBUS OUT 1 | TSTBUS OUT 8 | TSTBUS OUT 9 |
| | | | | | | | | | BUS0 02 | BUS0 00 | BUS0 04 | | | | | | | | TSTCMD OUT | | | |

| | | | | | | | | | | | | | | | | | | | | | | |
|-------|---|---|---|---|---|---|---|---|---|---|---|---|---|---|---|---|---|---|---|---|---|---|
| USAGE | 2 | 2 | 2 | 2 | 2 | 2 | 2 | 2 | 2 | 2 | 2 | 2 | 2 | 2 | 2 | 2 | 2 | 2 | 2 | 2 | 2 | 2 |
| B | | | | | | | | | | | | | | | | | | | | | | |
| H | | | | | | | | | | | | | | | | | | | | | | |

| | | | | | | | | | | | | | | | | | | | | | | |
|-------|---|---|---|---|---|---|---|---|---|---|---|---|---|---|---|---|---|---|---|---|---|---|
| USAGE | 2 | 2 | 2 | 2 | 2 | 2 | 2 | 2 | 2 | 2 | 2 | 2 | 2 | 2 | 2 | 2 | 2 | 2 | 2 | 2 | 2 | 2 |
| C | | | | | | | | | | | | | | | | | | | | | | |

| | | | | | | | | | | | | | | | | | | | | | | | |
|--|------------|---|--|-----------------|--|------------------------------|--|------------------|--|-----------------|--|-----------------------------|--|-----------------------------|--|-----------------|--|-----------------|--|-----------------|--|-----------------|--|
| REV. NO. CHANGE NO. CHK | REV. | | | | | | | | | | | | | | | | | | | | | | |
| | REV. NO. | | | | | | | | | | | | | | | | | | | | | | |
| | CHANGE NO. | | | | | | | | | | | | | | | | | | | | | | |
| | CHK | | | | | | | | | | | | | | | | | | | | | | |
| FIRST USED ON OPTION / MODEL PDP-11 | | DO NOT SCALE DRAWING UNLESS OTHERWISE SPECIFIED DIMENSION IN INCHES | | DATE 2-23-72 | | DATE 2-23-72 | | DATE 2-23-72 | | DATE 2-23-72 | | DATE 2-23-72 | | DATE 2-23-72 | | DATE 2-23-72 | | DATE 2-23-72 | | DATE 2-23-72 | | DATE 2-23-72 | |
| TOLERANCES DECIMALS FRACTIONS ANGLES = .005 ± .004 1-0-30' | | FINAL SURFACE QUALITY REMOVE BURRS AND BREAK SHARP CORNERS | | MATERIAL | | NEXT HIGHER ASSY PDP-11-B | | SCALE NATURAL | | SHEET 4 OF 4 | | TITLE MODULE UTILIZATION | | SIZE CODE D MU DX11-B-01 | | NUMBER 1 | | REV. N | | | | | |

SIZE CODE NUMBER D MU DX11-B-01
 REV. N
 REV. N

DIGITAL EQUIPMENT CORPORATION
MAYNARD, MASSACHUSETTS

PARTS LIST

MADE BY A. FRATICELLI
DATE 1/5/72
ENG *R. L. ...*
DATE 6-1-72

CHECKED *[Signature]* 3/31/72
DATE
PROD *[Signature]*
DATE
ISSUED SECT. 1

| ITEM NO. | DWG NO. / PART NO. | DESCRIPTION | QUANTITY / VARIATION |
|----------|--------------------|-----------------------------------|----------------------|
| | G890 | 360 POWER FAIL & SELECT BY-PASS | |
| | M105 | ADDRESS SELECTOR MODULE | 1 |
| | M111 | INVERTER | 6 |
| | M112 | NOR GATE | 14 |
| | M113 | TEN 2-INPUT NAND GATES | 11 |
| | M115 | EIGHT 3-INPUT NAND GATES | 4 |
| | M116 | 6 QUAD NOR GATE | 6 |
| | M117 | SIX 4-INPUT NAND GATES | 5 |
| | M119 | THREE 8-INPUT NAND GATES | 3 |
| | M121 | AND/NOR GATE | 7 |
| | M133 | INPUT NAND GATES | 7 |
| | M135 | 3-INPUT NAND GATE | 3 |
| | M137 | 6-4 INPUT NAND GATE | 2 |
| | M139 | 3-8 INPUT NAND GATE | 2 |
| | M155 | 4 TO 16 LINE DECODER | 3 |
| | M162 | PARITY CIRCUIT | 2 |
| | M169 | GATING MODULE | 12 |
| | M205 | 5 "D" FLIP FLOPS | 18 |
| | M216 | SIX FLIP FLOP | 8 |
| | M238 | SYNCHRONOUS 4-BIT UP/DOWN COUNTER | 6 |
| | M405 | CRYSTAL CLOCK | 1 |
| | M597 | CABLE RECEIVER | 6 |

TITLE: MODULE UTILIZATION

ASSY NO. D-MU-DX11-B-01
SHEET 1 OF 2

SIZE CODE: A PL
NUMBER: DX11-B-01
RFV. ECO NO. DX11B-00023

DEC FORM DEC 16-(325)-1031-N870
DRA 110

DIGITAL EQUIPMENT CORPORATION
MAYNARD, MASSACHUSETTS

PARTS LIST

MADE BY A. FRATICELLI
DATE 1/5/72
ENG *R. L. ...*
DATE 6-1-72

CHECKED *[Signature]* 3/31/72
DATE
PROD *[Signature]*
DATE
ISSUED SECT. 1

| ITEM NO. | DWG NO. / PART NO. | DESCRIPTION | QUANTITY / VARIATION |
|----------|--------------------|---------------------------------|----------------------|
| | M606 | PULSE GENERATOR | 3 |
| | M611 | HIGH SPEED POWER INVERTER | 4 |
| | M697 | CABLE DRIVER | 8 |
| | M7821 | INTERRUPT CONTROL MODULE | 1 |
| | M783 | UNIBUS TRANSMITTER MODULE | 4 |
| | M784 | UNIBUS RECEIVER MODULE | 2 |
| | M796 | UNIBUS MATER CONTROL | 1 |
| | M798 | UNIBUS DRIVER | 1 |
| | M1123 | 2 INPUT AND GATES | 5 |
| | M1713 | 16 LINE TO 1 LINE DATA SELECTOR | 16 |
| | G736 | JUMPER MODULE | 1 |
| | M302 | 1 SHOT DELAY | 1 |
| | M306 | INTEGRATING 1 SHOT TERMINATOR | 2 |
| | M908YB | TERMINATOR | 1 |
| | M930 | BUSS TERMINATOR | 1 |
| | M984 | RESISTOR TERMINATOR | 3 |
| | M984YA | RESISTOR TERM. | 1 |
| | 54008776 | PRIORITY PLUG | 1 |

TITLE: MODULE UTILIZATION

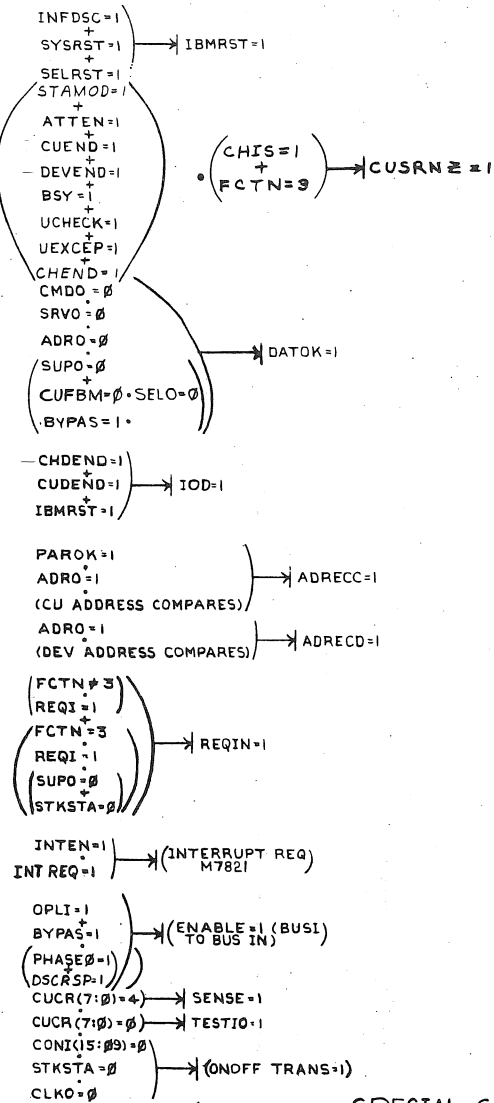
ASSY NO. D-MU-DX11-B-01
SHEET 2 OF 2

SIZE CODE: A PL
NUMBER: DX11-B-01
RFV. ECO NO. M

DEC FORM DEC 16-(325)-1031-N870
DRA 110

This drawing and specifications, herein, are the property of Digital Equipment Corporation and shall not be reproduced or copied or used in whole or in part as the basis for the manufacture or sale of items without written permission.
1972

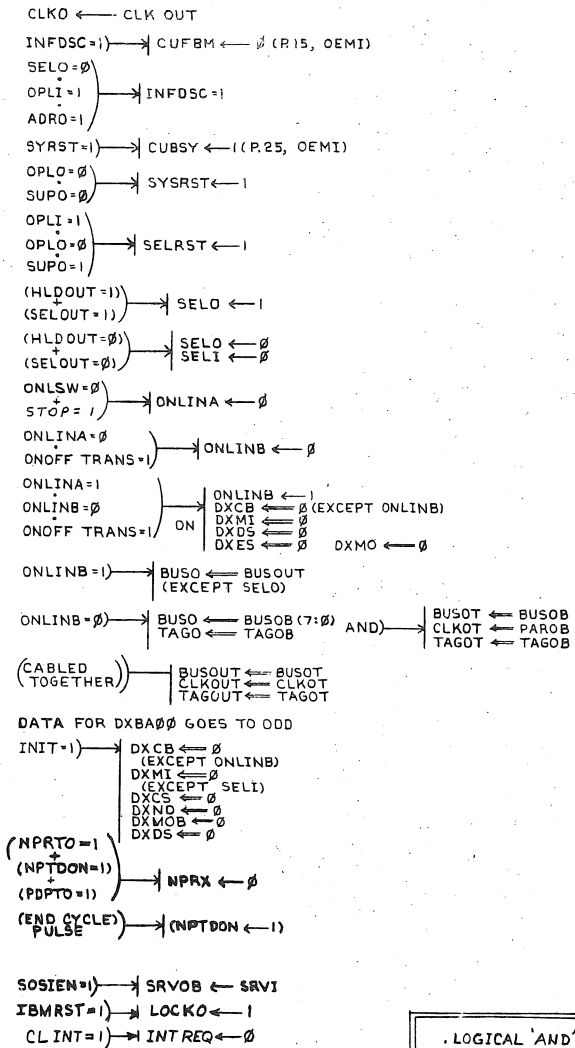
SPECIAL SIGNALS



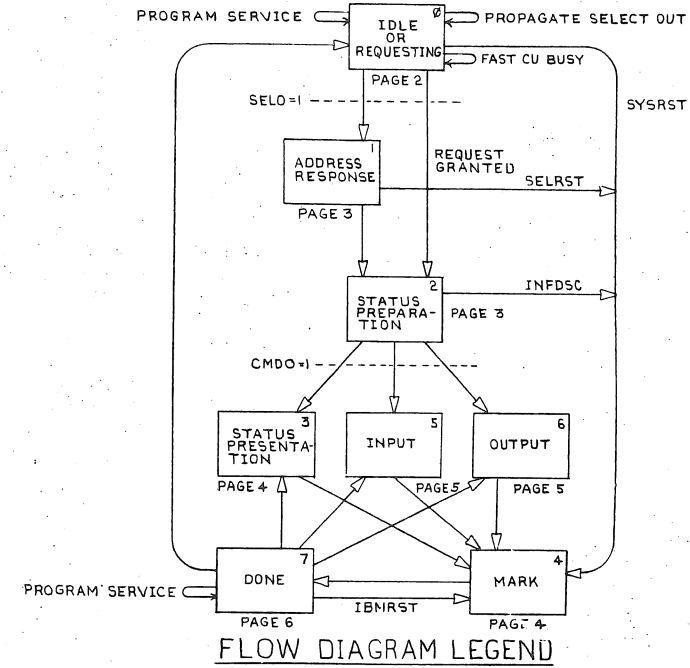
SPECIAL SIGNALS

DXND (15 → 08 = 0) → (NODST=1)
 (EPO=1) → (AC LOW=1)
 (REMO SW=1) → (IN POWER SUPPLY)
 NPRX=1 → START NPR TIME-OUT
 PDP TO=0
 NPR TO=1
 DXTO=1 → (STOP=1)
 ACLO=1
 OPLI=1 → (START DX TIME-OUT)
 TIMDIS=0

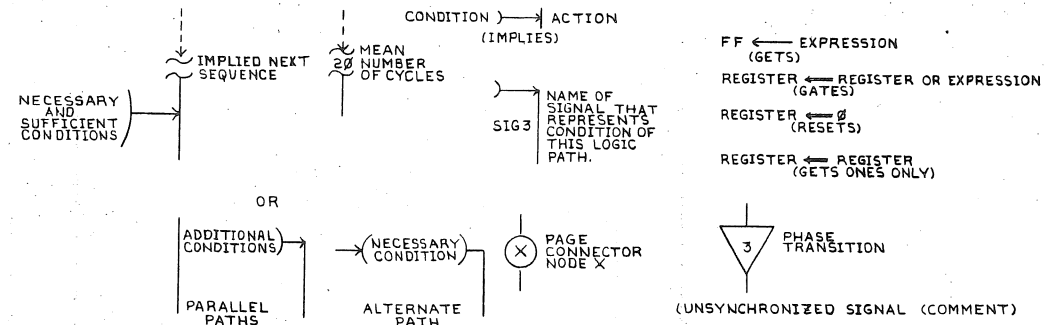
SYNCHRONIZATION OPERATION



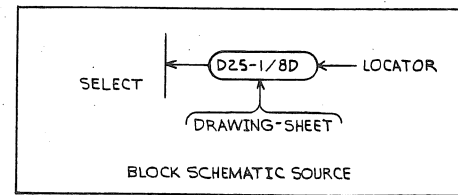
MAJOR PHASE DIAGRAM AND INDEX



FLOW DIAGRAM LEGEND



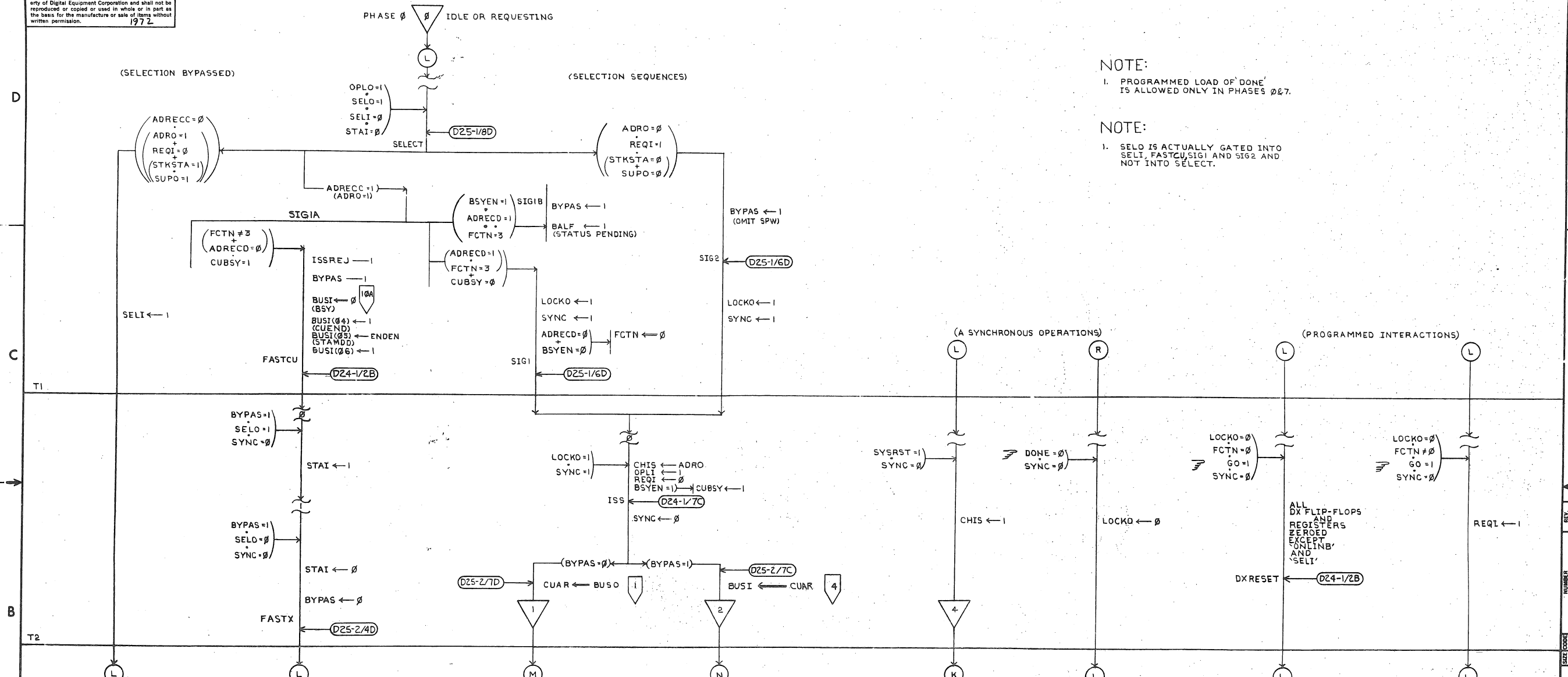
LOGICAL 'AND' + LOGICAL 'OR'



| REV. | CHG. | NO. | DATE | BY | CHKD. |
|------|------------|------|------------|----|-------|
| 1 | DIETER | 0000 | 8-22-72 | | |
| 2 | DIETER | 0006 | 9-8-72 | | |
| 3 | DIETER | 0008 | 9-17-72 | | |
| 4 | DIETER | 0010 | 12-14-72 | | |
| 5 | DIETER | 0012 | 6-14-73 | | |
| 6 | DIETER | 0014 | 10-4-73 | | |
| 7 | DIETER | 0016 | 10-9-73 | | |
| 8 | DIETER | 0018 | 4-11-77 | | |
| 9 | DIETER | 0020 | 4-11-77 | | |
| 10 | DIETER | 0022 | 21 JULY 76 | | |
| 11 | F. ZERESKI | 0024 | 20 JULY 76 | | |
| 12 | F. ZERESKI | 0026 | 20 JULY 76 | | |
| 13 | F. ZERESKI | 0028 | 20 JULY 76 | | |
| 14 | F. ZERESKI | 0030 | 20 JULY 76 | | |
| 15 | F. ZERESKI | 0032 | 20 JULY 76 | | |
| 16 | F. ZERESKI | 0034 | 20 JULY 76 | | |
| 17 | F. ZERESKI | 0036 | 20 JULY 76 | | |
| 18 | F. ZERESKI | 0038 | 20 JULY 76 | | |
| 19 | F. ZERESKI | 0040 | 20 JULY 76 | | |
| 20 | F. ZERESKI | 0042 | 20 JULY 76 | | |

| FIRST USED ON OPTION/MODEL | QTY. | DESCRIPTION | PART NO. | ITEM NO. |
|--|---------|---|-----------|----------|
| PDP-11 | | | | |
| UNLESS OTHERWISE SPECIFIED DIMENSION IN INCHES. TOLERANCES | | | | |
| DECIMALS | ANGLES | TITLE | | |
| .XXX = .005 | ±0° 30' | FLOW DIAGRAM (PHASE INDEPENDENT SEQUENCE) | | |
| .XX = .02 | | DRAWING SHEET | | |
| .X = .1 | | DRAWING SHEET | | |
| REMOVE BURRS AND BREAK SHARP CORNERS SURFACE QUALITY | | | | |
| MATERIAL | | | | |
| NEXT HIGHER ASSY. | | | | |
| FINISH | | | | |
| SCALE NONE | | SIZE CODE | NUMBER | REV. |
| SHEET OF 9 | | D | DX11-B-04 | J |
| DIST. | | | | |

This drawing and specifications, herein, are the property of Digital Equipment Corporation and shall not be reproduced or copied or used in whole or in part as the basis for the manufacture or sale of items without written permission.
1972



NOTE:
1. PROGRAMMED LOAD OF 'DONE' IS ALLOWED ONLY IN PHASES 0 & 7.

NOTE:
1. SELI IS ACTUALLY GATED INTO SELI, FASTCU, SIGI AND SIG2 AND NOT INTO SELECT.

(L1) (PROPAGATE SELECT OUT)
(L2) (FASTCU BUSY SEQUENCE)
(M) (ISS IN PROGRESS)
(N) (POLLING SEQUENCE OR STATUS PENDING)
(K) (SYSTEM RESET)
(L3) (PDP INTERRUPT GRANTED) -CYCLIC-
(L4) (DX RESET)
(L5) (REQUEST MADE) -CYCLIC-

NOTE:
1. EITHER L1 OR L2, BUT NOT BOTH, CAN OCCUR AS EITHER L3 OR ONE OF L4 OR L5.

NOTE:
1. M OR N CAN NOT OCCUR AS ANY OF L1, L2, L3, L4, L5, OCCUR.

NOTE:
1. THE SIGNAL DXRESET IS ALSO CREATED IN PHASE 7.

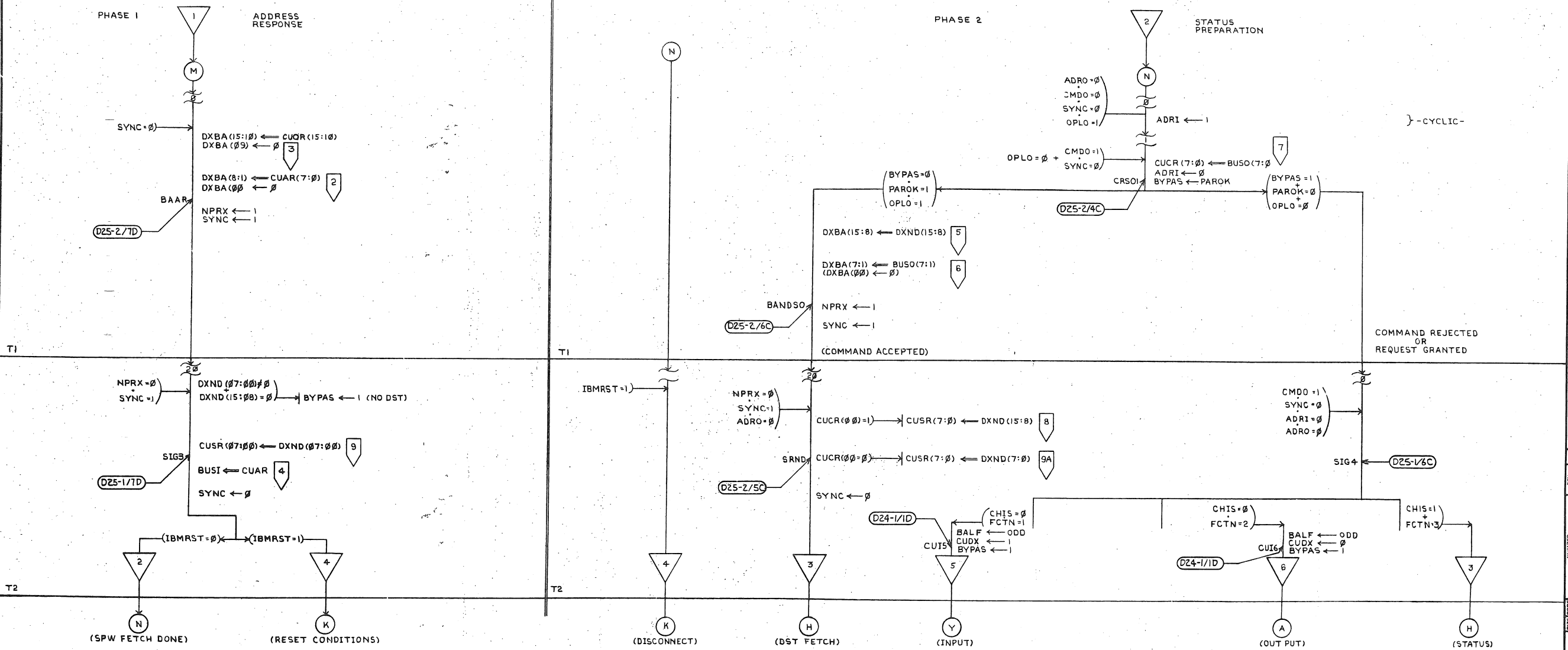
LEGEND
 GATE NUMBER
 PROGRAM INTERVENTION
 -CYCLIC- REPEATS ITSELF

GATE SIGNAL NUMBER MNEMONIC
 1 - ARSO (CUAR GETS BUSO)
 4 - BIAR (BUSI GETS CUAR)
 10A - CLBI (CLEAR BUS IN)

| | |
|------|--|
| REV. | |
| CHG. | |
| CHK. | |

| | | | | |
|--|-------------------|-------------|-------------------------------|-----------|
| FIRST USED ON OPTION/MODEL | QTY. | DESCRIPTION | PART NO. | ITEM NO. |
| PDP-11 | | | | |
| PARTS LIST | | | | |
| UNLESS OTHERWISE SPECIFIED DIMENSION IN INCHES. TOLERANCES | DRN | DATE | DIGITAL EQUIPMENT CORPORATION | |
| DECIMALS | CHKD | DATE | MAYFORD, MASSACHUSETTS | |
| ANGLES | ENG | DATE | TITLE | |
| .XXX = .005 | PROJ. ENGR. | DATE | FLOW DIAGRAM | |
| .XX = .02 | PROD. ENGR. | DATE | (PHASE 0) | |
| .X = .1 | PROV. ENGR. | DATE | IDLE OR REQUESTING | |
| REMOVE BURRS AND BREAK SHARP CORNERS SURFACE QUALITY | PROV. ENGR. | DATE | | |
| MATERIAL | NEXT HIGHER ASSY. | | | |
| FINISH | B-DD-DXII-B | | | |
| | SCALE | NONE | SIZE CODE | NUMBER |
| | SHEET | 2 OF 9 | DFD | DXII-B-04 |
| | | | DIST. | REV. 4 |

This drawing and specifications, herein, are the property of Digital Equipment Corporation and shall not be reproduced or copied or used in whole or in part as the basis for the manufacture or sale of items without written permission.
1972



NOTE:

1. CUIS AND CUI6 USED IN PHASE 7.

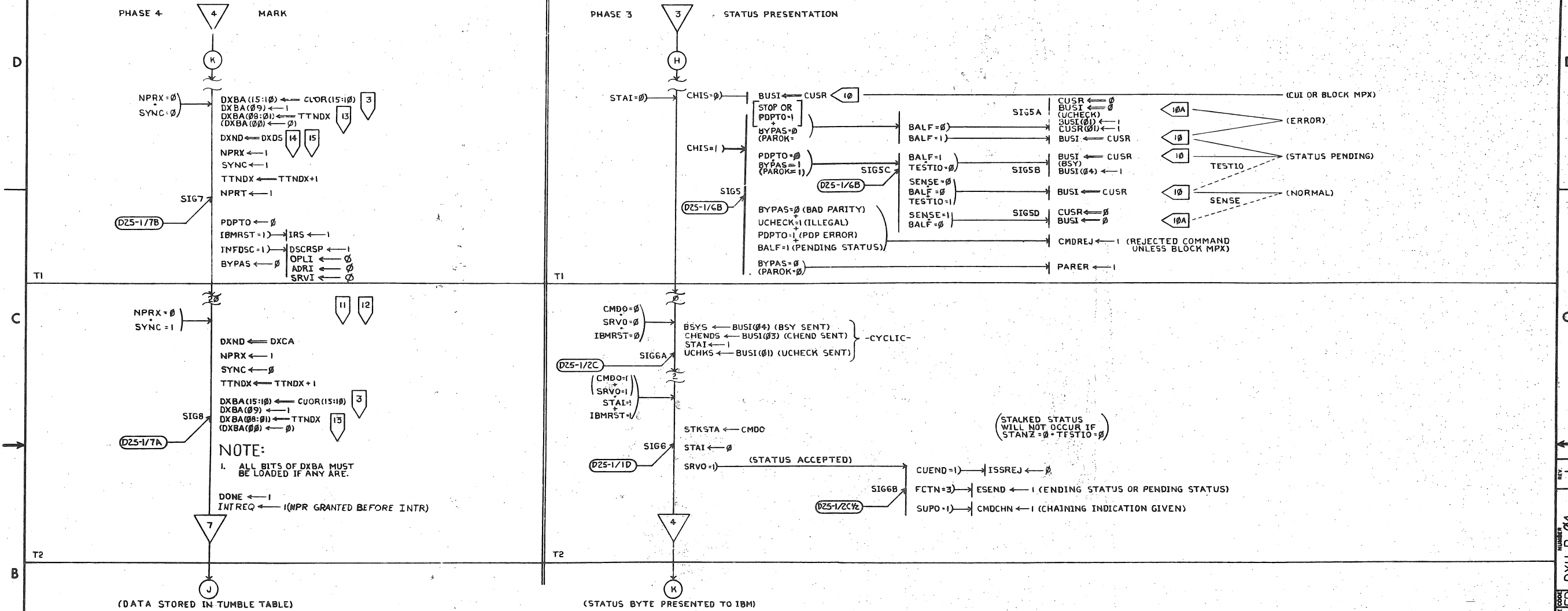
- 2 - BAAR
- 3 - BAOR
- 4 - BIAR
- 5 - BANDSO
- 6 - BANDSO
- 7 - CRSOI (C.F. 16)
- 8 - SRNDH
- 9 - SIG3
- 9A - SRNDL

REVISIONS
CHANGE NO.
CHK

| FIRST USED ON OPTION/MODEL | QTY. | DESCRIPTION | PART NO. | ITEM NO. |
|--|-------------------|--------------------------------|----------------------|---|
| PDP-11 | | | | |
| PARTS LIST | | | | |
| UNLESS OTHERWISE SPECIFIED DIMENSION IN INCHES. | | DRN. <i>A. Frattullo</i> | DATE <i>12/20/71</i> | DIGITAL EQUIPMENT CORPORATION MAYNARD, MASSACHUSETTS |
| TOLERANCES | | CHKD. <i>W. J. DeWitt</i> | DATE <i>5/17/72</i> | |
| DECIMALS | ANGLES | ENG. <i>R. J. DeWitt</i> | DATE <i>5-22-72</i> | |
| .XXX = .005 | ± 0° 30' | PROJ. ENG. <i>R. J. DeWitt</i> | DATE <i>5-22-72</i> | |
| .XX = .02 | | PROD. <i>W. J. DeWitt</i> | DATE <i>6-1-72</i> | |
| .X = .1 | | | | |
| REMOVE BURRS AND BREAK SHARP CORNERS SURFACE QUALITY | | | | |
| MATERIAL | NEXT HIGHER ASSY. | | SIZE CODE | NUMBER |
| | B-DD-DX11-B | | D | DX11-B-04 |
| FINISH | SCALE NONE | | DIST | |
| | SHEET 3 OF 9 | | | |

TITLE
FLOW DIAGRAM
(PHASE 1 | PHASE 2
ADDRESS | STATUS
RESPONSE | PREPARATION)

This drawing and specifications, herein, are the property of Digital Equipment Corporation and shall not be reproduced or copied or used in whole or in part as the basis for the manufacture or sale of items without written permission.
1972



(DATA STORED IN TUMBLE TABLE)

(STATUS BYTE PRESENTED TO IBM)

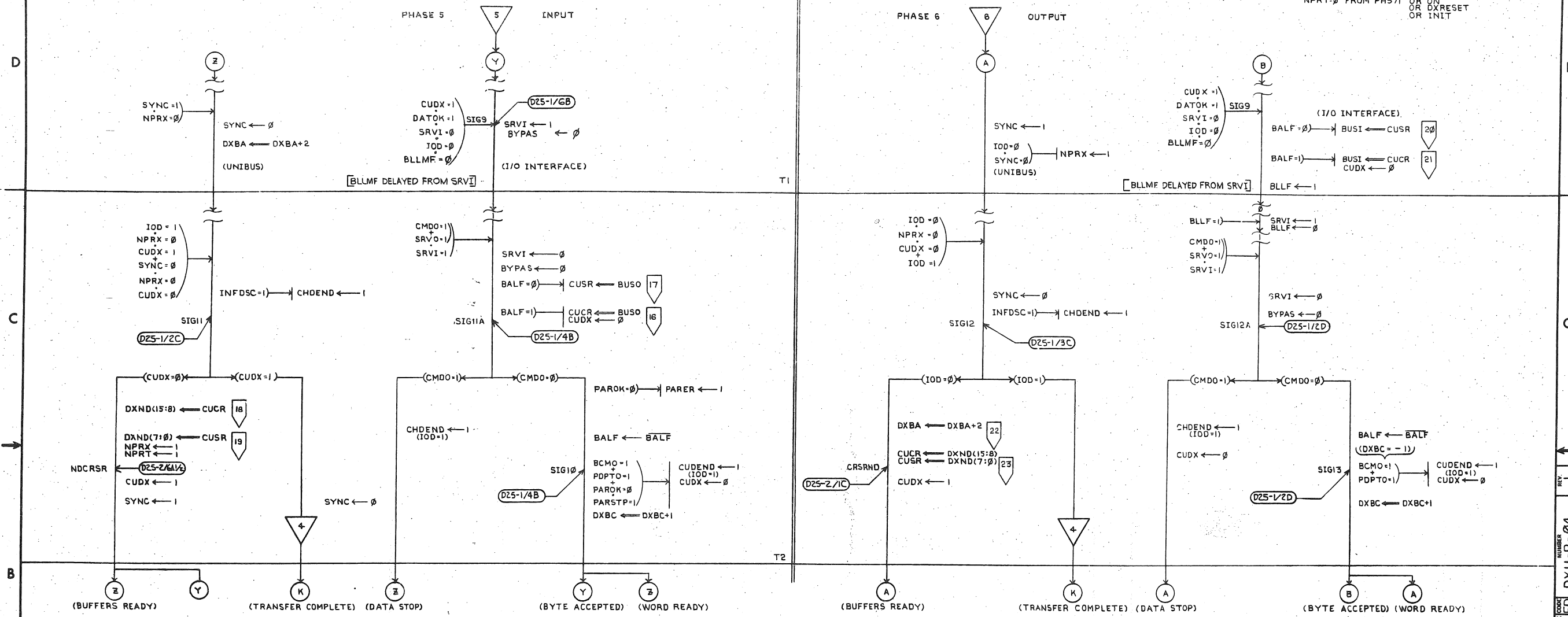
| | |
|------------|--|
| REV. | |
| CHANGE NO. | |
| CHK | |

| FIRST USED ON OPTION/MODEL | QTY. | DESCRIPTION | PART NO. | ITEM NO. |
|--|--------------------------------|----------------|---|----------|
| PDP-11 | | | | |
| PARTS LIST | | | | |
| UNLESS OTHERWISE SPECIFIED DIMENSION IN INCHES | DRN <i>A. Santilli</i> | DATE 1/4/72 | DIGITAL EQUIPMENT CORPORATION MAYFIELD, MASSACHUSETTS | |
| TOLERANCES | DATE 5/17/72 | | | |
| DECIMALS | ANGLES | DATE 5-3-72 | TITLE FLOW DIAGRAM (PHASE 4 MARK) (PHASE 3 STATUS PRESENTATION) | |
| XX - .02 | 20° 30' | DATE 6-1-72 | | |
| REMOVE BURRS AND BREAK SHARP CORNER SURFACE QUALITY | PROJ. ENG. <i>A. Ditter</i> | DATE 5-3-72 | | |
| MATERIAL | PROJ. MGR. <i>Paul Tom</i> | DATE 6-1-72 | | |
| FINISH | NEXT HIGHER ASSY. | | | |
| | B-DD-DXII-B | SIZE CODE | NUMBER | REV. |
| | | DFD | DXII-B-04 | J |
| | SCALE NONE | | | |
| | SHEET 4 OF 9 | DIST. | | |

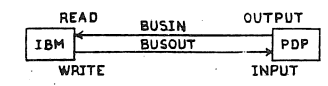
This drawing and specifications, herein, are the property of Digital Equipment Corporation and shall not be reproduced or copied or used in whole or in part as the basis for the manufacture or sale of items without written permission.
1972

70-8-11X0 10102
138 938W11

NOTE:
1. BALF = 0 FROM PHS72 OR PHS22
NPRX = 0 FROM PHS71 OR ON
OR DXRESET
OR INIT



NOTE:
1. INITIALIZATION REQUIRED
PHASE 5: CUDX=1
PHASE 6: CUDX=0



NOTE:
1. SIG9 IS PHASE INDEPENDENT

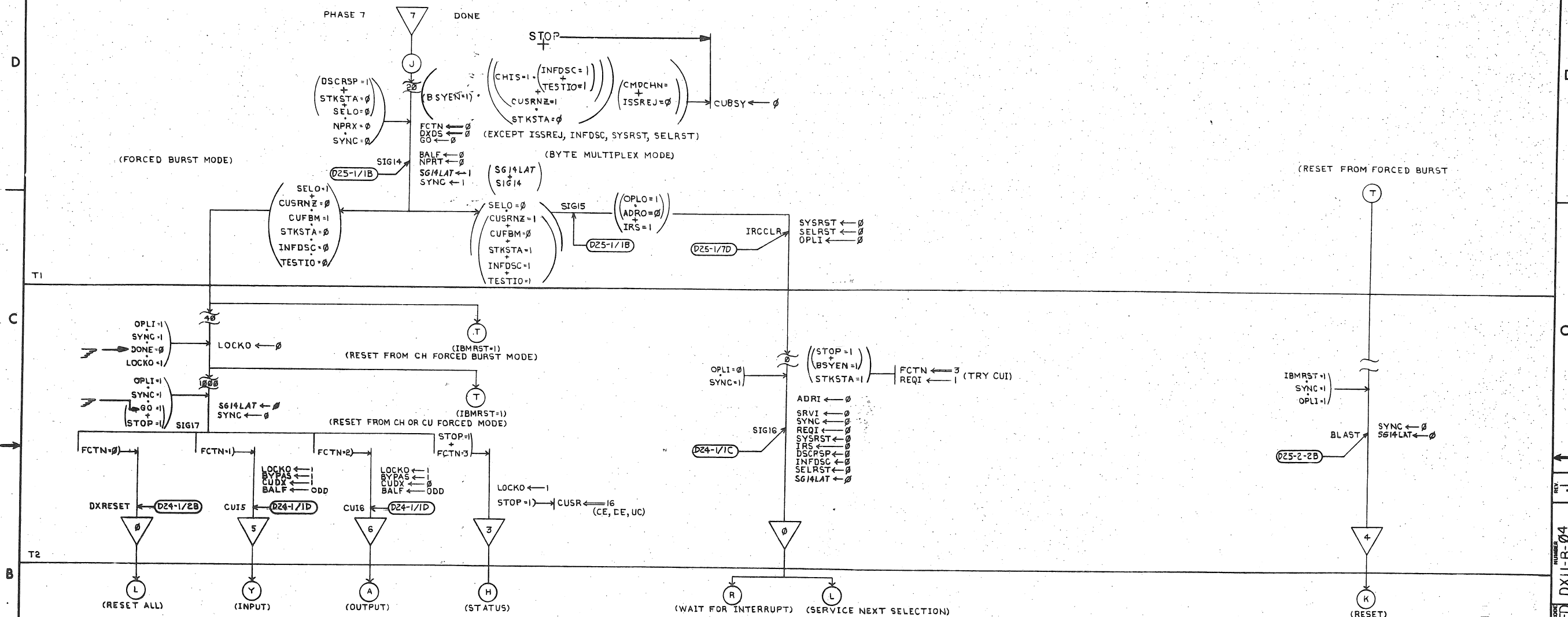
NOTE:
1. NPR WILL ALWAYS FETCH ONE WORD BEYOND END THEREFORE DO NOT GO TO END OF CORE.

| FIRST USED ON OPTION/MODEL | QTY. | DESCRIPTION | PART NO. | ITEM NO. |
|--|----------|----------------------------------|----------|----------|
| PDP-11 | | | | |
| PARTS LIST | | | | |
| UNLESS OTHERWISE SPECIFIED DIMENSION IN INCHES. TOLERANCES | | | | |
| DECIMALS | ANGLES | TITLE | | |
| .XXX - .006 | ± 0° 30' | FLOW DIAGRAM | | |
| .XX - .02 | | (PHASE 5 INPUT) (PHASE 6 OUTPUT) | | |
| .X - .1 | | | | |
| REMOVE BURRS AND BREAK SHARP CORNERS SURFACE QUALITY | | | | |
| MATERIAL | | NEXT HIGHER ASSY. | | |
| + | | B-DD-DX11-B | | |
| FINISH | | SCALE NONE | | |
| + | | SHEET 5 OF 9 | | |
| | | DIST. | | |

| REV. | CHANGE NO. |
|------|------------|
| | |

REV. J
NUMBER
DX11-B-04

This drawing and specifications, herein, are the property of Digital Equipment Corporation and shall not be reproduced or copied or used in whole or in part as the basis for the manufacture or sale of items without written permission.
197Z



NOTE:

1. CUIS AND CUI6 ARE ALSO CREATED IN PHASE 2.

NOTE:

1. DXRESET IS ALSO CREATED IN PHASE 0.

NOTE:

1. IT IS ASSUMED THAT SELO=0 IF IBMRST=1 UPON GETTING TO PHASE 7.

NOTE:

1. SELO ← 0 BY CHIS (CHEND ONLY) (CMDCHN=0) STANZ=1 CHIS=0 TESTIO=1 STKSTA=1 (FLOW DIAGRAM #5, OEMI)

NOTE:

1. IN BLOCK MUX MODE CHAINING OCCURS AFTER CHEND ONLY. IF LAST STATUS WAS CHAINED AND ESSEND=1 WHEN DEPEND ONLY SENT AND CUSR ≠ 0, THEN DO THE COMMAND.

| | |
|------------|--|
| REV. | |
| CHANGE NO. | |
| CHK | |

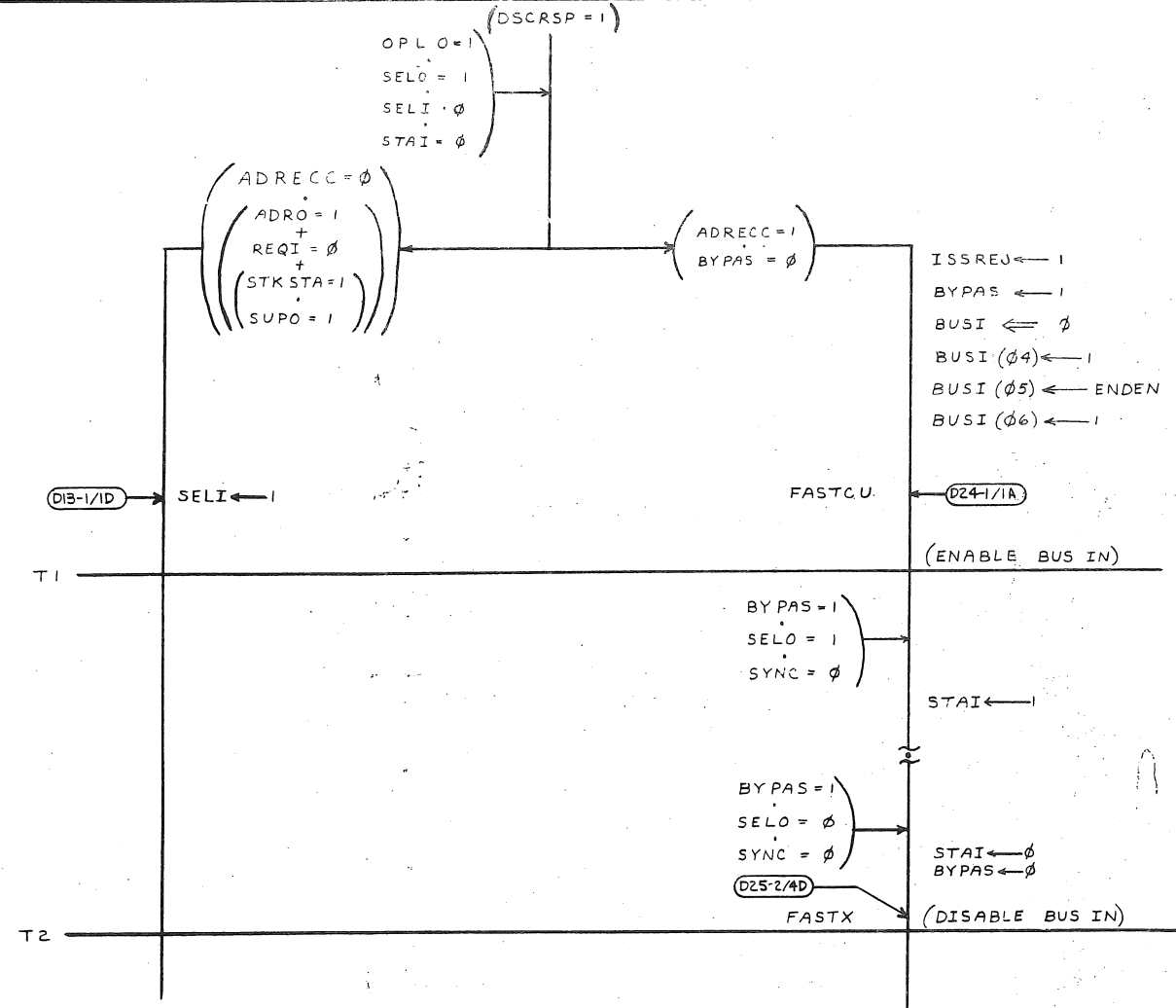
DEC FORM NO. DFD 100-1

| FIRST USED ON OPTION/MODEL | QTY. | DESCRIPTION | PART NO. | ITEM NO. |
|--|-------------------|-------------|-----------|---|
| PDP-11 | | PARTS LIST | | |
| UNLESS OTHERWISE SPECIFIED DIMENSION IN INCHES. TOLERANCES | | DRN | DATE | DIGITAL EQUIPMENT CORPORATION MAYNARD, MASSACHUSETTS |
| DECIMALS | ANGLES | CHK | DATE | |
| .XXX - .000 | ±0° 30' | ENG | DATE | TITLE FLOW DIAGRAM (PHASE 7 DONE) |
| .X - .01 | | PROJ ENGR | DATE | |
| .X - .1 | | PROD | DATE | |
| REMOVE BURRS AND BREAK SHARP CORNERS SURFACE QUALITY | | | | |
| MATERIAL | NEXT HIGHER ASSY. | | | |
| FINISH | B-DD-DX11-B | SIZE CODE | NUMBER | REV. |
| | SCALE NONE | DFD | DX11-B-04 | 0 |
| | SHEET 6 OF 9 | DIST. | | |

This drawing and specifications, herein, are the property of Digital Equipment Corporation and shall not be reproduced or copied or used in whole or in part as the basis for the manufacture or sale of items without written permission. 1972

SIZE CODE NUMBER DFDXII-B-04 2

NOTE:
 DSCRSP CAN BE ENABLED IN PHASES 4 AND 7 IMMEDIATELY AFTER AN INTERFACE DISCONNECT SEQUENCE. THE DISCONNECT RESPONSE PHASE IS ENABLED SIMULTANEOUSLY WITH THESE PHASES, AND USES THE SAME LOGIC AS THE 'PROPAGATE SELECT OUT' AND 'FAST CU BUSY' SEQUENCES OF PHASE 0.



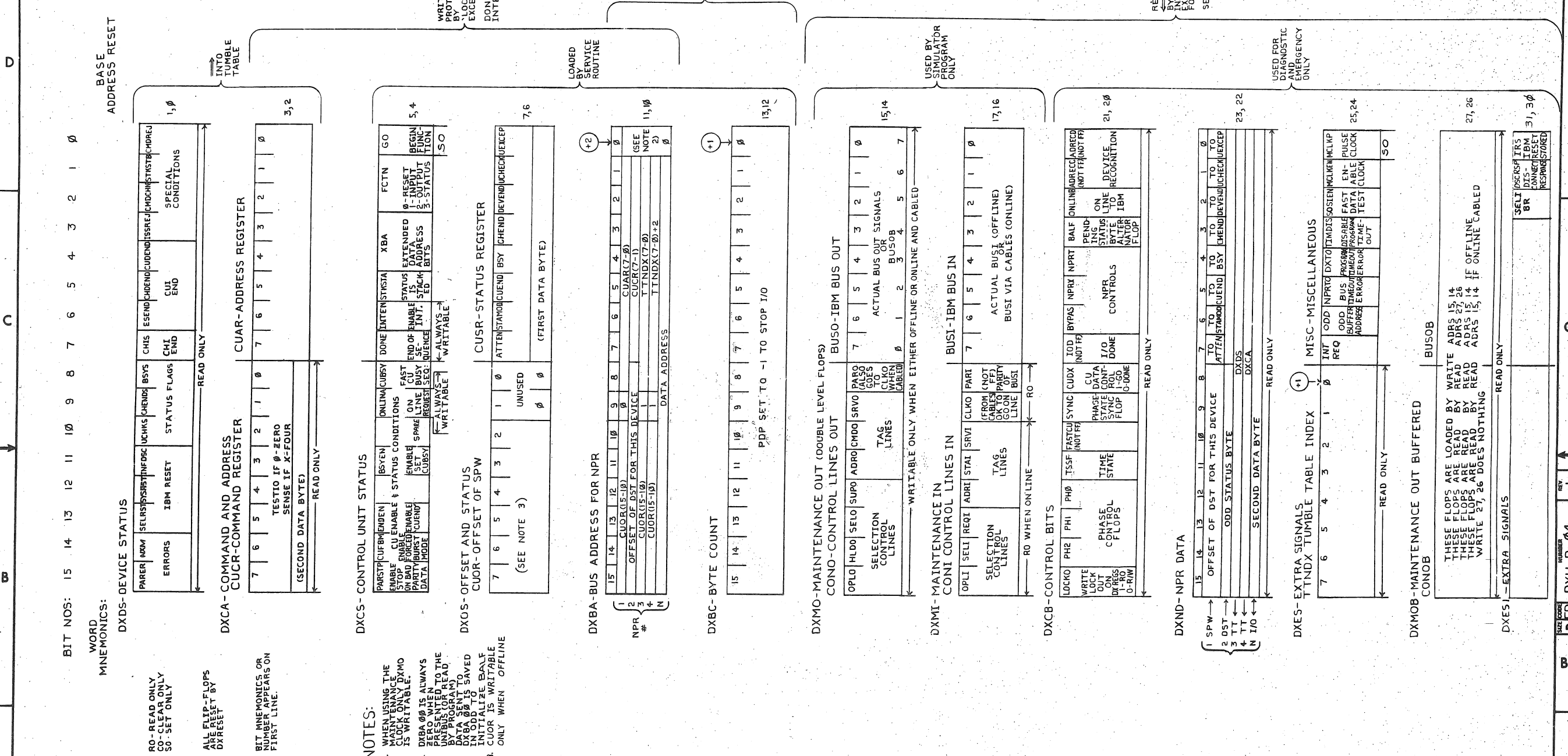
| FIRST USED ON OPTION/MODEL | QTY. | DESCRIPTION | PART NO. | ITEM NO. |
|--|---------------------|--------------|---|-----------|
| PDP-11 | | | | |
| PARTS LIST | | | | |
| UNLESS OTHERWISE SPECIFIED DIMENSION IN INCHES. | DRAWN <i>Wilson</i> | DATE 2-22-72 | digital EQUIPMENT CORPORATION <small>MAYNARD, MASSACHUSETTS</small> | |
| TOLERANCES | CHKD <i>Wilson</i> | DATE 2/22 | | |
| DECIMALS .XXX = .005 | ENG <i>Wilson</i> | DATE 5-2-72 | | |
| ANGLES .XX = .02 | PROG <i>Wilson</i> | DATE 5-31-72 | | |
| .X = .1 | PROD <i>Wilson</i> | DATE 6-1-72 | | |
| REMOVE BURRS AND BREAK SHARP CORNERS SURFACE QUALITY | | | FLOW DIAGRAM (DISCONNECT RESPONSE) | |
| MATERIAL | NEXT HIGHER ASSY. | SCALE | SIZE CODE | NUMBER |
| FINISH | BDD-DXII-B | NONE | DFD | DXII-B-04 |
| | SHEET 7 OF 9 | | DIST. | |

REVISIONS
 CHANGE NO.
 REV.
 CHK

DEC FORM NO. DDD 100-A

16

This drawing and specifications herein are the property of Digital Equipment Corporation and shall not be reproduced or copied or used in whole or in part as the basis for the manufacture or sale of items without written permission.



| REV. | CHANGE NO. | DESCRIPTION |
|------|------------|-------------|
| | | |
| | | |

| FIRST USED ON OPTION/MODEL | QTY. | DESCRIPTION | PART NO. | ITEM NO. |
|--|-------------------|-------------|-----------|-----------|
| PDP-11 | | | | |
| UNLESS OTHERWISE SPECIFIED DIMENSION IN INCHES. TOLERANCES | | | | |
| DECIMALS | ANGLES | | | |
| .XX - .025 | ±0° 30' | | | |
| .X - .1 | | | | |
| REMOVE BURRS AND BREAK SHARP CORNERS SURFACE QUALITY | | | | |
| MATERIAL | NEXT HIGHER ASSY. | | | |
| FINISH | SCALE | NONE | SIZE CODE | NUMBER |
| | SHEET | 8 OF 9 | D1D | DX11-B-04 |
| | | | DIST. | |

| DATE | BY | DESCRIPTION |
|---------|----|-------------|
| 10/1/72 | | |
| 5/17/72 | | |
| 5-3-72 | | |
| 5-3-72 | | |
| 6-5-72 | | |

| REV. | DESCRIPTION |
|------|-------------|
| | |
| | |

This drawing and specifications, herein, are the property of Digital Equipment Corporation and shall not be reproduced or copied or used in whole or in part as the basis for the manufacture or sale of items without written permission.
1972

IBM CONTROL

CENTRAL CONTROL

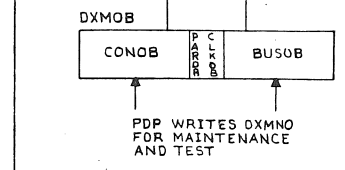
PDP CONTROL

LEGEND

DATA SHIFTED LEFT
PANEL DISPLAY

PDP PROGRAMMED BYTE MODIFY
EXTERNAL BYTE DATA
INTERNAL BYTE DATA
PDP PROGRAMMED BYTE READ
DATA GATE
WRITE LOCK OUT
BYTE OUT
BYTE IN

ONE BIT CONTROL
ONE BYTE DATA
UNIBUS DATA
ONE BYTE CONTROL



ALSO DIRECT READ DXMOB VIA DXMOB

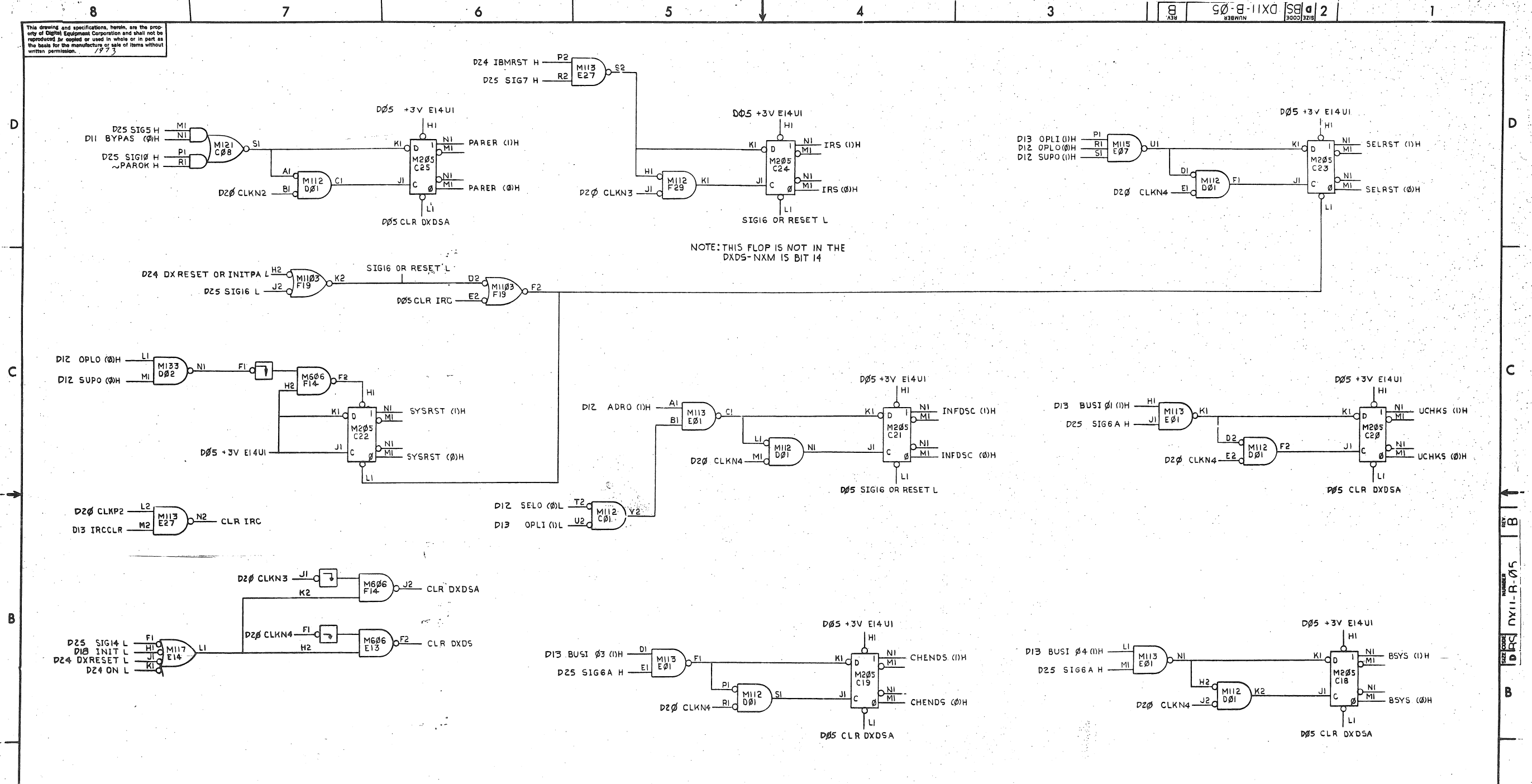
| GATE | SIGNAL | RESTRICTED |
|------|--------|------------|
| 1- | ARSO | |
| 2- | BAAR | |
| 3- | BAOR | X |
| 4- | BIAR | X |
| 5- | BANDSO | |
| 6- | BANDSO | |
| 7- | CRSO1 | |
| 8- | SRNDH | X |
| 9A- | SRNDL | X |
| 9- | SIG3 | |
| 10- | SISR | X |
| 11- | SIG8 | |
| 12- | SIG8 | |
| 13- | BANX | |
| 14- | SIG7 | |
| 15- | SIG7 | |
| 16- | CRSO2 | |
| 17- | SRSO | X |
| 18- | NDCRSR | |
| 19- | NDCRSR | |
| 20- | SISR | X |
| 21- | SICR | |
| 22- | CRSRND | |
| 23- | CRSRND | |

| FIRST USED ON OPTION/MODEL | QTY. | DESCRIPTION | PART NO. | ITEM NO. |
|--|-----------------------------|---------------------|---|----------|
| PDP-II PARTS LIST | | | | |
| UNLESS OTHERWISE SPECIFIED DIMENSION IN INCHES. TOLERANCES | DRN. <i>A. J. Frattelli</i> | DATE <i>12/1/71</i> | DIGITAL EQUIPMENT CORPORATION MAYNARD, MASSACHUSETTS | |
| DECIMALS | CHK'D <i>[Signature]</i> | DATE <i>5/17/72</i> | TITLE FLOW DIAGRAM (DATA PATHS) | |
| ANGLES | ENG. <i>[Signature]</i> | DATE <i>5-31-72</i> | SIZE CODE D F D | |
| .XX - .008 | PROJ. <i>[Signature]</i> | DATE <i>5-31-72</i> | NUMBER DXII-B-04 | |
| .X - .02 | PROD. <i>[Signature]</i> | DATE <i>6-5-72</i> | REV. J | |
| .X - .1 | | | SHEET 9 OF 9 | |
| REMOVE BURRS AND BREAK SHARP CORNERS SURFACE QUALITY | | | DIST. | |
| MATERIAL | NEXT HIGHER ASSY. | | | |
| FINISH | SCALE NONE | | | |

DEC FORM NO. 0800 100-4

18

This drawing and specifications, herein, are the property of Digital Equipment Corporation and shall not be reproduced or used in whole or in part as the basis for the manufacture or sale of items without written permission.

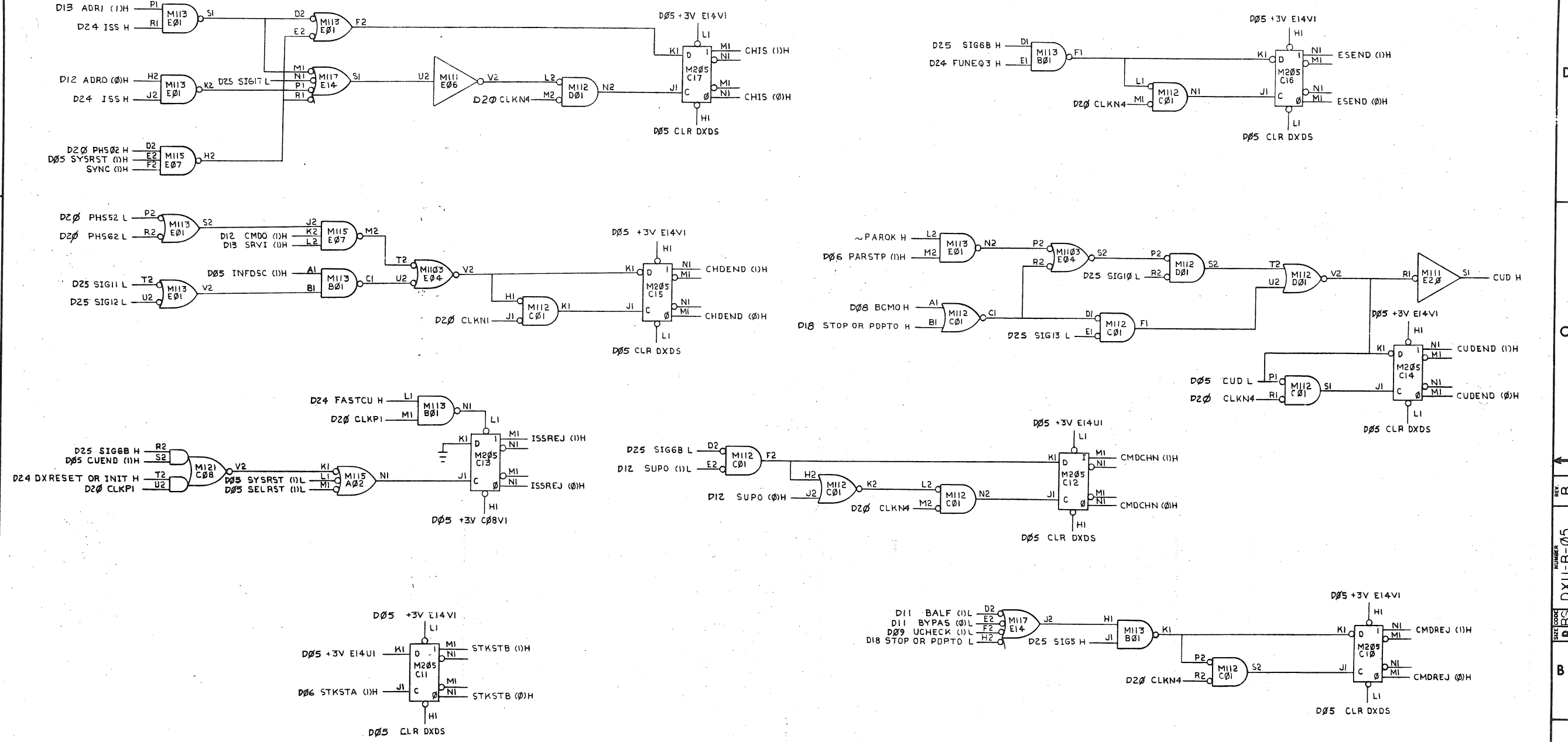


| REV. | REV. NO. | CHANGE NO. | CHK. | DATE |
|------|----------|------------|-----------|---------|
| A | 1 | 00010 | R. DIETER | 6-7-72 |
| B | 2 | 00016 | R. DIETER | 6-7-72 |
| | | | R. DIETER | 7-3-74 |
| | | | R. DIETER | 7-18-74 |

DEC FORM NO. DDD 100-4

| FIRST USED ON OPTION/MODEL | QTY. | DESCRIPTION | PART NO. | ITEM NO. |
|--|----------|-------------------|-------------------------------|-----------|
| PDP-11 | | | | |
| PARTS LIST | | | | |
| UNLESS OTHERWISE SPECIFIED DIMENSION IN INCHES. TOLERANCES | | DRN. DATE | DIGITAL EQUIPMENT CORPORATION | |
| DECIMALS ANGLES | | CHK'D DATE | MATHARD MASSACHUSETTS | |
| .XX - .005 | ± 0° 30' | ENG. DATE | TITLE | |
| .X - .02 | | PROJ. ENG. DATE | DXDS | |
| REMOVE BURRS AND BREAK SHARP CORNERS SURFACE QUALITY | | DATE | DX DEVICE STATUS | |
| MATERIAL | | NEXT HIGHER ASSY. | | |
| FINISH | | SCALE NONE | SIZE CODE | NUMBER |
| | | SHEET 1 OF 2 | DBS | DX11-B-05 |
| | | DIST. | | REV. B |

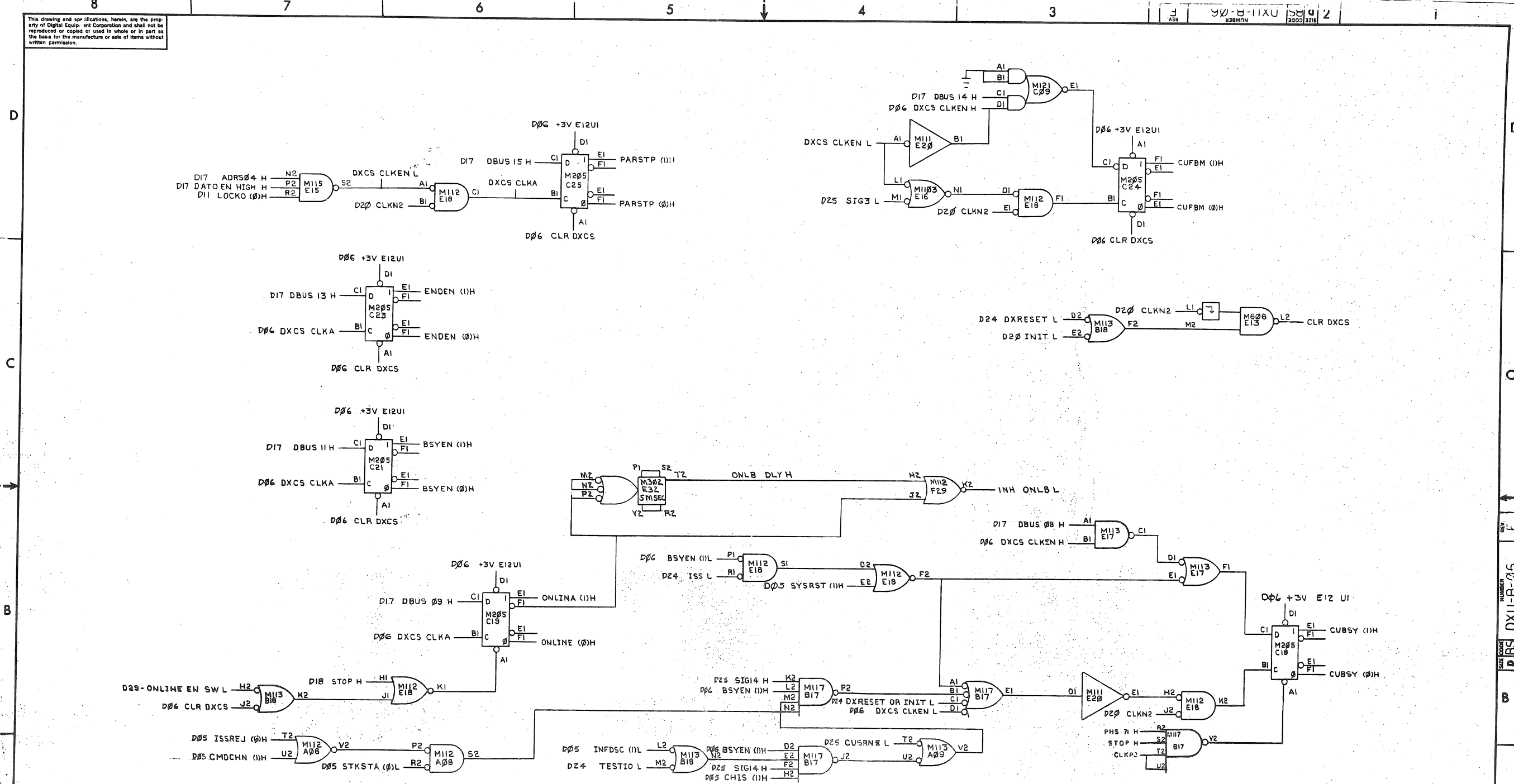
This drawing and specifications herein are the property of Digital Equipment Corporation and shall not be reproduced or copied or used in whole or in part as the basis for the manufacture or sale of items without written permission.



| | |
|------|-----|
| REV. | NO. |
| CHG. | NO. |
| CHK. | NO. |
| DES. | NO. |

| | | | | | |
|---|-------------------|-------------|-------------|---|----------|
| FIRST USED ON OPTION/MODEL PDP-11 | | QTY. | DESCRIPTION | PART NO. | ITEM NO. |
| PARTS LIST | | | | | |
| UNLESS OTHERWISE SPECIFIED DIMENSION IN INCHES TOLERANCES | | DRN. | DATE | EQUIPMENT CORPORATION MAYNARD, MASSACHUSETTS | |
| DECIMALS | ANGLES | CHK. | DATE | TITLE DXDS DX DEVICE STATUS | |
| .XXX - .005 | ±0° 30' | ENG. | DATE | | |
| .XX - .02 | | PROJ. ENGR. | DATE | | |
| .X - .1 | | PROD. ENGR. | DATE | | |
| REMOVE BURRS AND BREAK SHARP CORNERS. SURFACE QUALITY | | PROD. | DATE | | |
| MATERIAL | NEXT HIGHER ASSY. | | | | |
| / | B-DD-DX11-B | SIZE CODE | NUMBER | REV. | |
| FINISH | SCALE NONE | DBS | DX11-B-05 | B | |
| SHEET 2 OF 2 | | DIST. | | | |

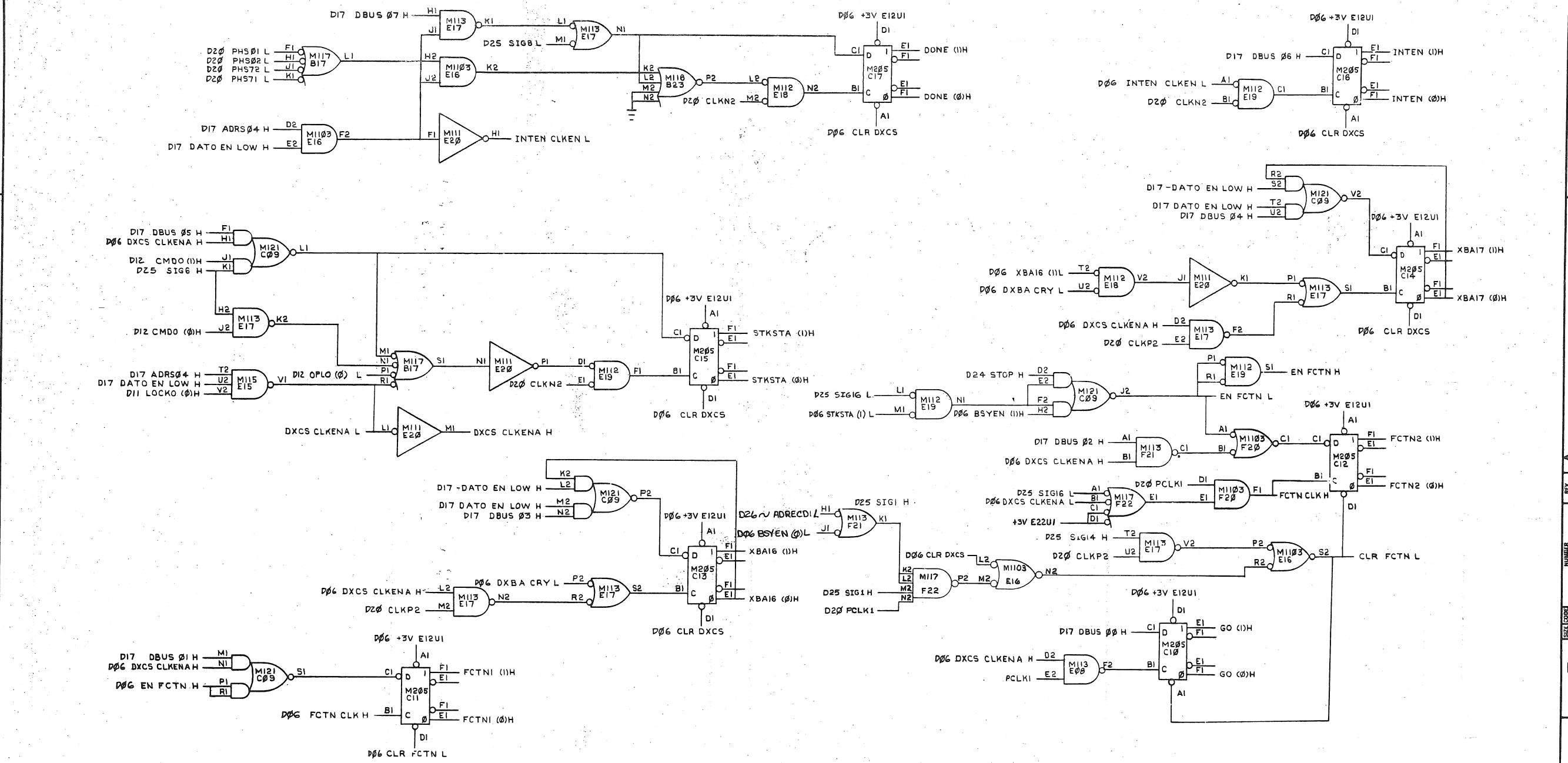
This drawing and specifications, herein, are the property of Digital Equipment Corporation and shall not be reproduced or copied or used in whole or in part as the basis for the manufacture or sale of items without written permission.



| REV. | CHANGE NO. | DESCRIPTION |
|------|------------|-------------|
| 1 | 00005 A | DIETER |
| 2 | 00006 B | DIETER |
| 3 | 00007 C | DIETER |
| 4 | 00008 D | DIETER |
| 5 | 00009 E | DIETER |
| 6 | 00010 F | DIETER |
| 7 | 00011 G | DIETER |
| 8 | 00012 H | DIETER |
| 9 | 00013 I | DIETER |
| 10 | 00014 J | DIETER |
| 11 | 00015 K | DIETER |
| 12 | 00016 L | DIETER |
| 13 | 00017 M | DIETER |
| 14 | 00018 N | DIETER |
| 15 | 00019 O | DIETER |
| 16 | 00020 P | DIETER |
| 17 | 00021 Q | DIETER |
| 18 | 00022 R | DIETER |
| 19 | 00023 S | DIETER |
| 20 | 00024 T | DIETER |
| 21 | 00025 U | DIETER |
| 22 | 00026 V | DIETER |
| 23 | 00027 W | DIETER |
| 24 | 00028 X | DIETER |
| 25 | 00029 Y | DIETER |
| 26 | 00030 Z | DIETER |

| FIRST USED ON OPTION/MODEL | QTY. | DESCRIPTION | PART NO. | ITEM NO. |
|--|--------------------------------|-----------------|---|----------|
| PDP-11 | | | | |
| PARTS LIST | | | | |
| UNLESS OTHERWISE SPECIFIED DIMENSION IN INCHES. TOLERANCES | DRN <i>R. Dieter</i> | DATE 1/11/71 | DIGITAL EQUIPMENT CORPORATION MAYNARD, MASSACHUSETTS | |
| DECIMALS | CHKD <i>R. Dieter</i> | DATE 5/1/72 | | |
| ANGLES | ENG <i>R. Dieter</i> | DATE 5-1-72 | TITLE DXCS CONTROL UNIT STATUS | |
| .XXX - .005 .XX - .02 .X - .1 | PROJ. ENGR <i>R. Dieter</i> | DATE 6-8-72 | | |
| REMOVE BURRS AND BREAK SHARP CORNERS SURFACE QUALITY | PROD <i>R. Dieter</i> | DATE 6-8-72 | NUMBER DXII-B-06 | |
| MATERIAL | NEXT HIGHER ASSY. | | | |
| FINISH | SCALE NONE | | REV. F | |
| | SHEET 1 OF 2 | | | |

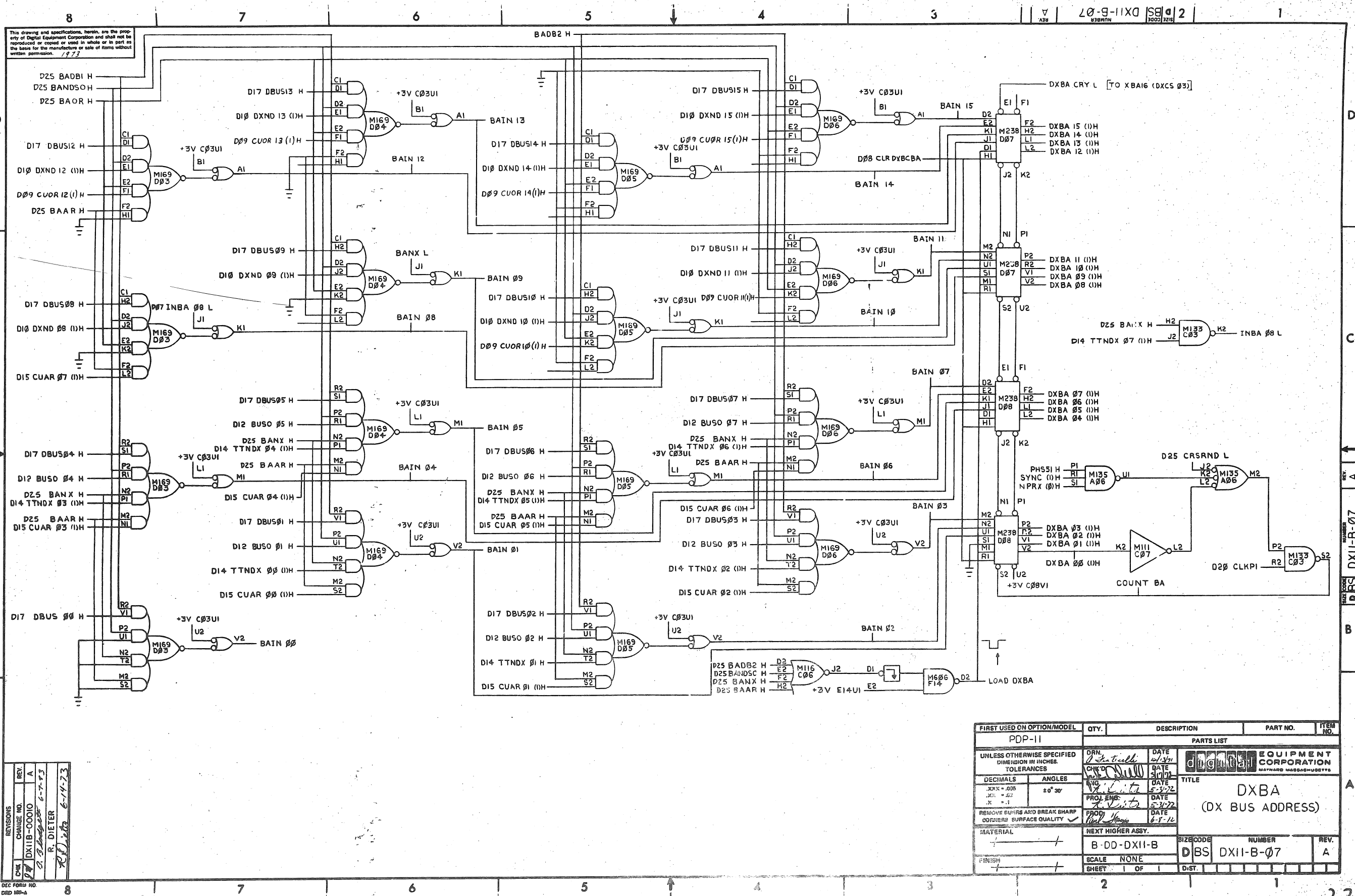
This drawing and specifications, herein, are the property of Digital Equipment Corporation and shall not be reproduced or copied or used in whole or in part as the basis for the manufacture or sale of items without written permission.



| REV | CHANGE NO. |
|-----|------------|
| | |
| | |
| | |

| FIRST USED ON OPTION/MODEL | QTY. | DESCRIPTION | PART NO. | ITEM NO. |
|---|-------------------|-------------------------------|----------------------|--|
| PDP-11 | | PARTS LIST | | |
| UNLESS OTHERWISE SPECIFIED DIMENSION IN INCHES TOLERANCES | | DRN. <i>[Signature]</i> | DATE <i>11/19/72</i> | DIGITAL EQUIPMENT CORPORATION MAYNARD, MASSACHUSETTS |
| DECIMALS | ANGLES | CHK'D <i>[Signature]</i> | DATE <i>5/11/72</i> | |
| .XXX - .008 | ± 0° 30' | ENG. <i>[Signature]</i> | DATE <i>5-31-72</i> | |
| .XX - .02 | | PROJ. ENG. <i>[Signature]</i> | DATE <i>5-31-72</i> | |
| REMOVE BURRS AND BREAK SHARP CORNERS SURFACE QUALITY | | PROD. <i>[Signature]</i> | DATE <i>6-5-72</i> | |
| MATERIAL | NEXT HIGHER ASSY. | TITLE | | |
| + | B-DD-DX11-B | DXCS CONTROL UNIT STATUS | | |
| FINISH | SCALE NONE | SIZE CODE | NUMBER | REV. |
| | SHEET 2 OF 2 | D BS | DX11-B-06 | E |

22



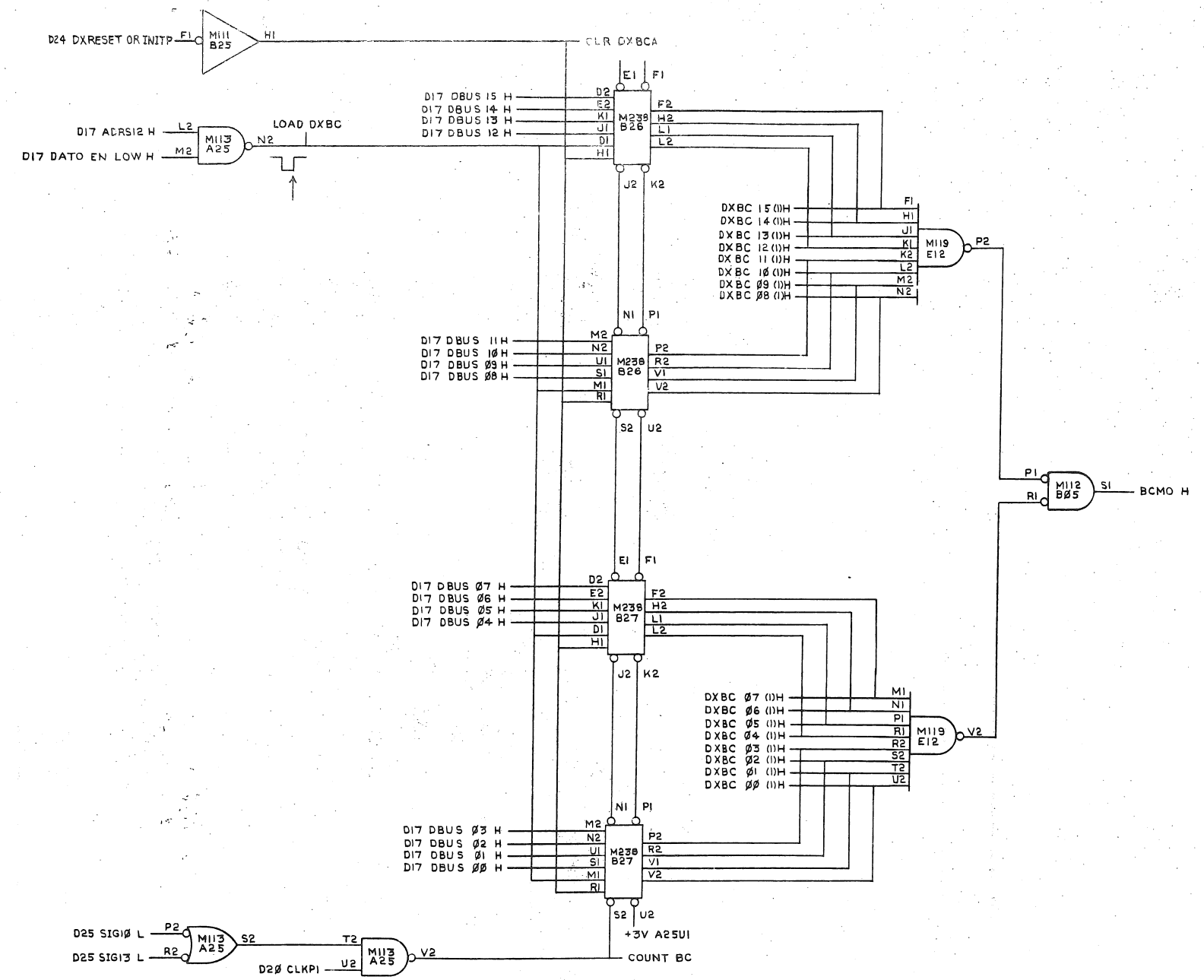
| | |
|----------|------|
| REV. NO. | REV. |
| 1 | A |
| 2 | B |
| 3 | C |
| 4 | D |
| 5 | E |
| 6 | F |
| 7 | G |
| 8 | H |

R. DIETER
 6-14-73

| | | | | |
|---|--------------------------------|---------------|-----------------------|----------|
| FIRST USED ON OPTION/MODEL | QTY. | DESCRIPTION | PART NO. | ITEM NO. |
| PDP-11 | | | | |
| PARTS LIST | | | | |
| UNLESS OTHERWISE SPECIFIED DIMENSION IN INCHES TOLERANCES | DRN. <i>[Signature]</i> | DATE 12/31/71 | DIGITAL CORPORATION | |
| DECIMALS .005 | CHK'D <i>[Signature]</i> | DATE 3/10/72 | EQUIPMENT CORPORATION | |
| ANGLES ±0° 30' | ENG. <i>[Signature]</i> | DATE 5-30-72 | MAYNARD HERRINGUETTER | |
| REMOVE BURRS AND BREAK SHARP CORNERS SURFACE QUALITY | PROJ. ENGR. <i>[Signature]</i> | DATE 5-31-72 | TITLE | |
| | PROD. <i>[Signature]</i> | DATE 6-8-72 | DXBA (DX BUS ADDRESS) | |
| MATERIAL | NEXT HIGHER ASSY. | SIZE CODE | NUMBER | REV. |
| | B-DD-DXII-B | DBS | DXII-B-07 | A |
| SCALE NONE | SHEET 1 OF 1 | DIST. | | |

This drawing and specifications, herein, are the property of Digital Equipment Corporation and shall not be reproduced or copied or used in whole or in part as the basis for the manufacture or sale of items without written permission.

NOTE:
 1. SIG13 TAKE DATA BYTE OUT
 SIG10 TAKE DATA BYTE IN



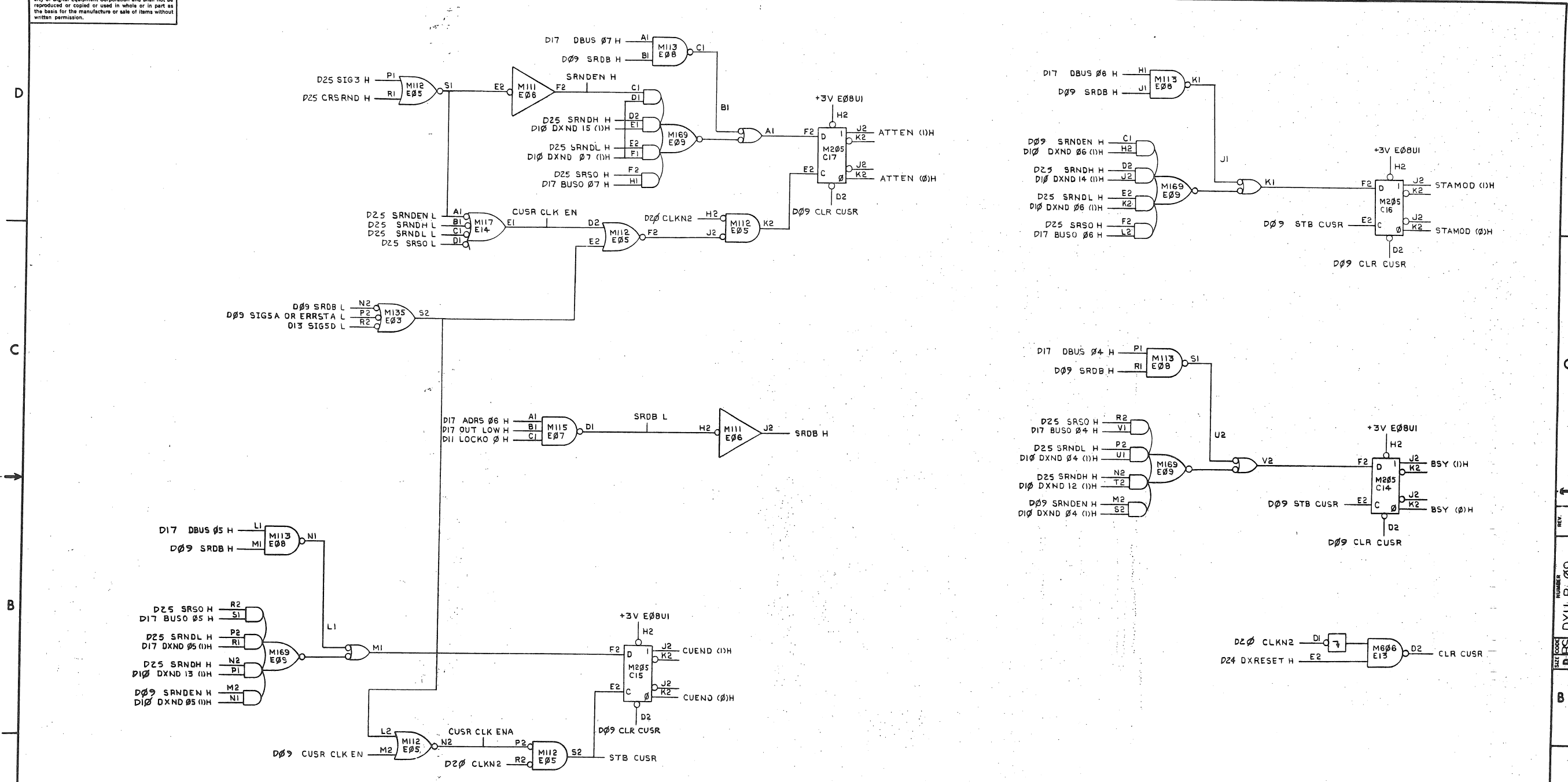
| FIRST USED ON OPTION/MODEL | QTY. | DESCRIPTION | PART NO. | ITEM NO. |
|--|----------------|----------------------------|--|-----------------------|
| PDP-11 | | PARTS LIST | | |
| UNLESS OTHERWISE SPECIFIED DIMENSION IN INCHES. TOLERANCES | | DRN. DATE 11-1-71 | DIGITAL EQUIPMENT CORPORATION MAYNARD MASSACHUSETTS | |
| DECIMALS .XXX = .005 | ANGLES ±0° 30' | CHK'D DATE 5/17/72 | TITLE DXBC DX BYTE COUNTER | |
| | | ENG DATE 5-21-72 | | |
| | | PROJ. ENG. DATE 5-21-72 | | |
| | | PROD. DATE 6-8-72 | | |
| REMOVE BURRS AND BREAK SHARP CORNERS SURFACE QUALITY | | MATERIAL NEXT HIGHER ASSY. | | |
| | | A-ML-DXII-B | | SIZE CODE NUMBER REV. |
| | | SCALE NONE | | DBS DXII-B-08 |
| | | SHEET OF | | DIST. |

REVISIONS
 CHANGE NO.
 CHK

DEC FORM NO
 DBS 48-1
 24

REV. 1
 DBS DXII-B-08

This drawing and specifications herein are the property of Digital Equipment Corporation and shall not be reproduced or copied or used in whole or in part as the basis for the manufacture or sale of items without written permission.

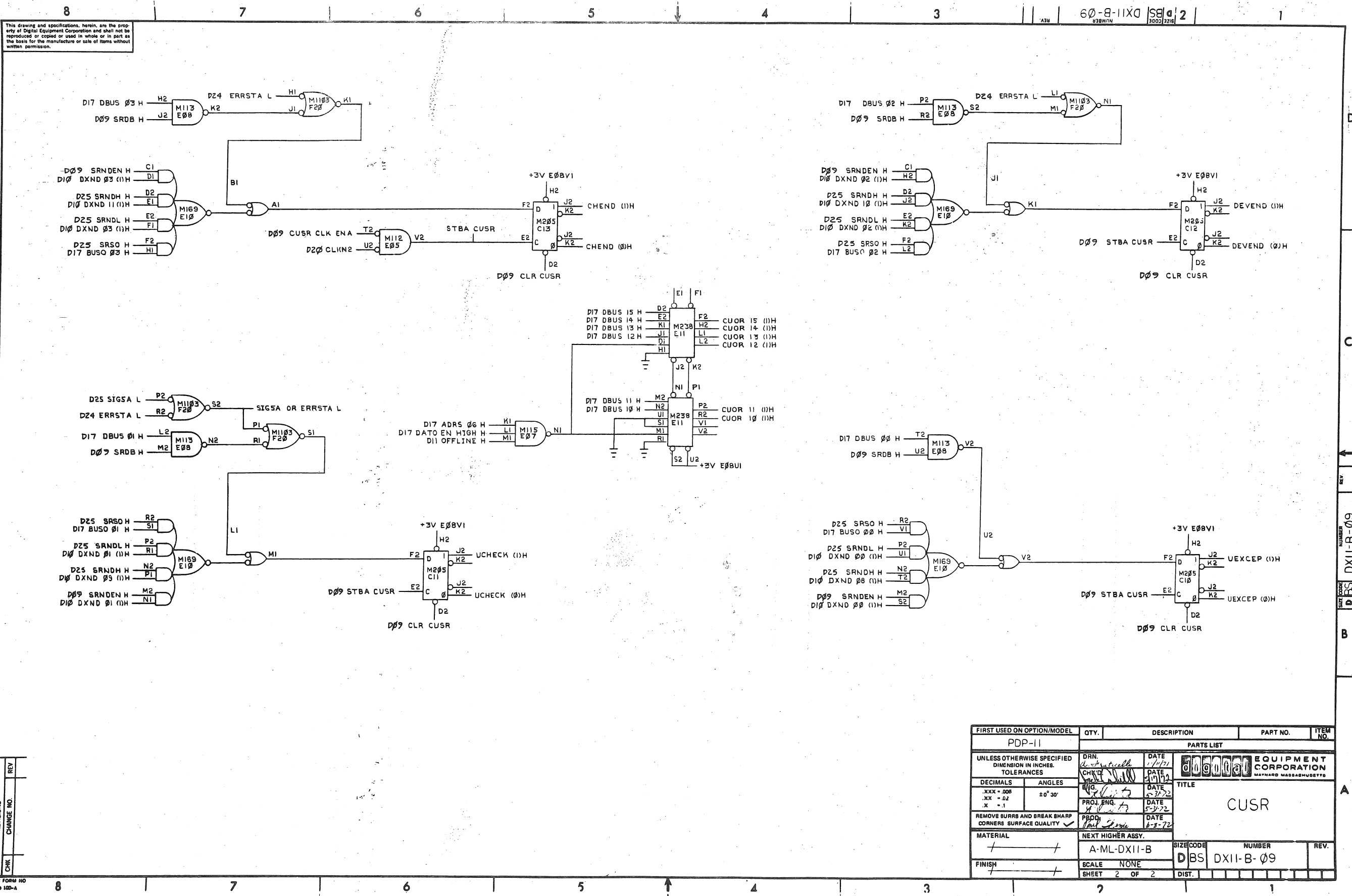


| | |
|------------|--|
| REV | |
| CHANGE NO. | |
| CHK | |

| | | | | |
|---|-------------------|-----------------|-------------------------------|-----------|
| FIRST USED ON OPTION/MODEL | QTY. | DESCRIPTION | PART NO. | ITEM NO. |
| PDP-11 | | | | |
| PARTS LIST | | | | |
| UNLESS OTHERWISE SPECIFIED DIMENSION IN INCHES TOLERANCES | DRN. DATE | CHK'D. DATE | DIGITAL EQUIPMENT CORPORATION | |
| DECIMALS | ANGLES | FIG. DATE | TITLE | |
| .XXX = .008 | ±0° 30' | PROJ. ENG. DATE | CUSR | |
| .XX = .02 | | PROJ. DATE | | |
| .X = .1 | | PROJ. DATE | | |
| REMOVE BURRS AND BREAK SHARP CORNERS SURFACE QUALITY | | DATE | | |
| MATERIAL | NEXT HIGHER ASSY. | SCALE | SIZE CODE | NUMBER |
| | A-ML-DX11-B | NONE | DBS | DX11-B-09 |
| FINISH | SCALE | SHEET | OF | DIST. |
| | | 1 | 2 | |

REV. NUMBER
DBS DX11-R-09

This drawing and specifications, herein, are the property of Digital Equipment Corporation and shall not be reproduced or copied or used in whole or in part as the basis for the manufacture or sale of items without written permission.



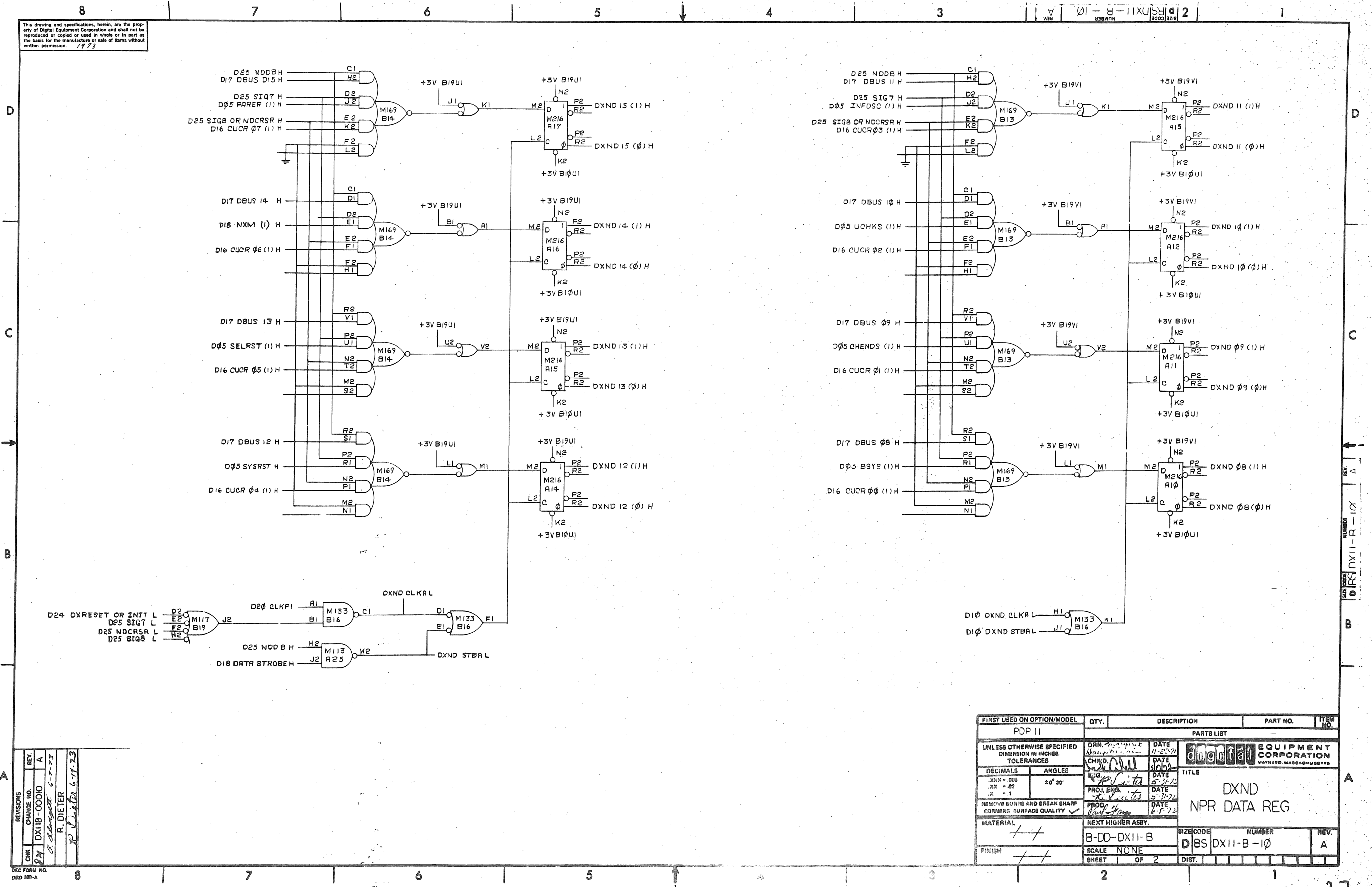
| FIRST USED ON OPTION/MODEL | QTY. | DESCRIPTION | PART NO. | ITEM NO. | | |
|---|-------------------------------|--|---|----------|-----------|-----------|
| PDP-11 | | PARTS LIST | | | | |
| UNLESS OTHERWISE SPECIFIED DIMENSION IN INCHES TOLERANCES | DRN. <i>[Signature]</i> | DATE 1/1/71 | DIGITAL EQUIPMENT CORPORATION MAYNARD, MASSACHUSETTS | | | |
| DECIMALS ANGLES | CHK. <i>[Signature]</i> | DATE 1/1/71 | | | | |
| .XXX = .006 .XX = .02 .X = .1 | ENG. <i>[Signature]</i> | DATE 5-31-72 | | | | |
| REMOVE BURRS AND BREAK SHARP CORNERS SURFACE QUALITY | PROJ. ENG. <i>[Signature]</i> | DATE 5-3-72 | | | | |
| | PROD. <i>[Signature]</i> | DATE 6-8-72 | | | | |
| MATERIAL | NEXT HIGHER ASSY. | TITLE <h2 style="text-align: center;">CUSR</h2> | | | | |
| FINISH | A-ML-DXII-B | | | | SIZE CODE | NUMBER |
| | SCALE NONE | | | | D BS | DXII-B-09 |
| | SHEET 2 OF 2 | DIST. | | | | |

| REV. | CHG. | NO. | DATE |
|------|------|-----|------|
| | | | |

PART NO. D BS DXII-B-09
 REV. NO. 09

26

This drawing and specifications, herein, are the property of Digital Equipment Corporation and shall not be reproduced or copied or used in whole or in part as the basis for the manufacture or sale of items without written permission. 1773

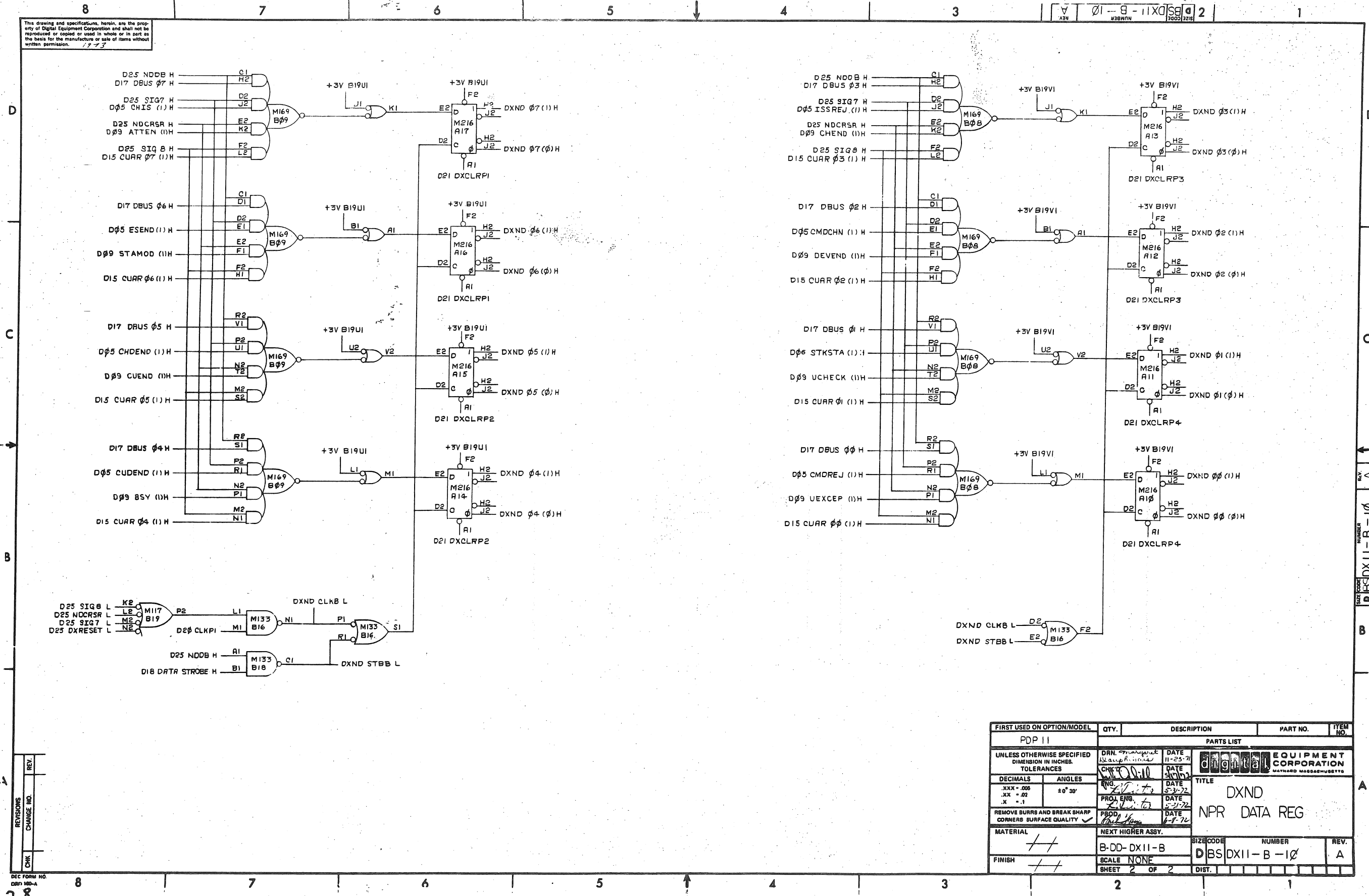


| REV. | CHANGE NO. | DATE |
|------|-------------|------|
| 1 | DX11B-00010 | A |
| 2 | 6-7-73 | |
| 3 | 6-11-73 | |

R. DIETER
R. J. L. L. L.

| FIRST USED ON OPTION/MODEL | QTY. | DESCRIPTION | PART NO. | ITEM NO. |
|--|--------------------------------|---------------|--|-----------|
| PDP 11 | | | | |
| PARTS LIST | | | | |
| UNLESS OTHERWISE SPECIFIED DIMENSION IN INCHES. TOLERANCES | DRN. <i>[Signature]</i> | DATE 11-20-71 | digital EQUIPMENT CORPORATION MAYNARD, MASSACHUSETTS | |
| DECIMALS ANGLES | CHKD. <i>[Signature]</i> | DATE 11-20-71 | | |
| .XXX = .003 .XX = .02 .X = .1 | PROJ. ENGR. <i>[Signature]</i> | DATE 5-11-72 | TITLE DXND NPR DATA REG | |
| REMOVE BURRS AND BREAK SHARP CORNERS SURFACE QUALITY | PROD. <i>[Signature]</i> | DATE 6-5-72 | | |
| MATERIAL | NEXT HIGHER ASSY. | | SIZE CODE | NUMBER |
| | | | B-DD-DX11-B | DX11-B-10 |
| FINISH | SCALE | NONE | DIST. | REV. A |
| | SHEET | 1 | OF | 2 |

This drawing and specifications, herein, are the property of Digital Equipment Corporation and shall not be reproduced or copied or used in whole or in part as the basis for the manufacture or sale of items without written permission.

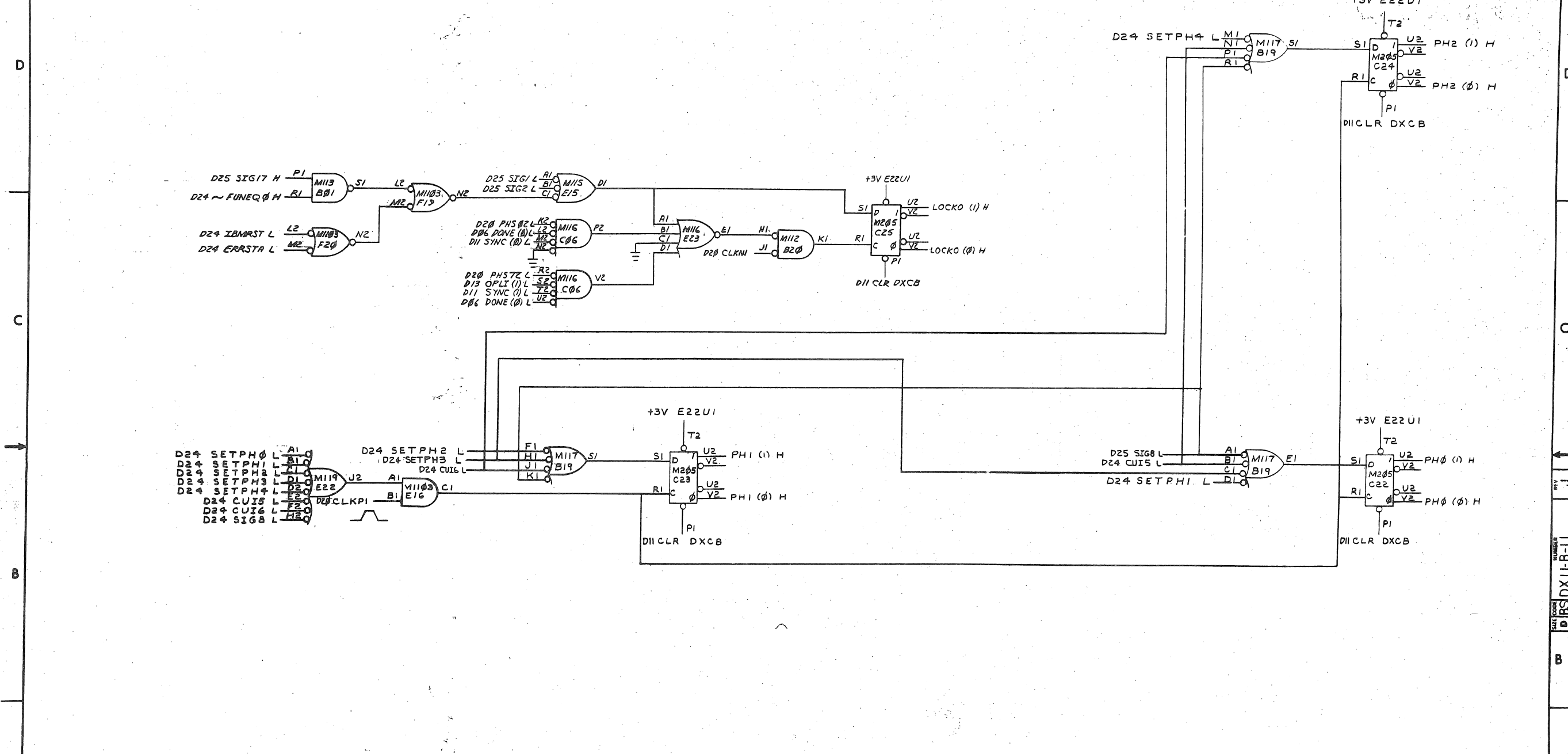


| FIRST USED ON OPTION/MODEL | QTY. | DESCRIPTION | PART NO. | ITEM NO. |
|---|-------------------|-----------------------|----------------|--|
| PDP 11 | | PARTS LIST | | |
| UNLESS OTHERWISE SPECIFIED DIMENSION IN INCHES TOLERANCES | | DRN: [Signature] | DATE: 11-25-71 | DIGITAL EQUIPMENT CORPORATION <small>MAYNARD MASSACHUSETTS</small> |
| DECIMALS | ANGLES | CHK: [Signature] | DATE: 5-3-72 | |
| .XXX - .008 | ±0° 30' | ENG: [Signature] | DATE: 5-21-72 | |
| .XX = .02 | | PROL ENG: [Signature] | DATE: 6-8-72 | |
| REMOVE BURRS AND BREAK SHARP CORNERS SURFACE QUALITY | | PBDD: [Signature] | DATE: 6-8-72 | |
| MATERIAL | NEXT HIGHER ASSY. | | SIZE CODE | NUMBER |
| FINISH | B-DD-DX11-B | | DBS DX11-B-10 | REV. A |
| | | SCALE NONE | DIST. | |
| | | SHEET 2 OF 2 | | |

| | |
|------------|--|
| REV. | |
| CHANGE NO. | |
| REVISIONS | |

DEC FORM NO. 0871 100-A
28

This drawing and specifications, herein, are the property of Digital Equipment Corporation and shall not be reproduced or copied or used in whole or in part as the basis for the manufacture or sale of items without written permission.
1972



| REV | CHANGE NO | REV |
|-----|-----------|-----|
| A | 0005 | A |
| B | 0008 | B |
| C | 0010 | C |
| D | 0016 | D |
| E | 0019 | E |
| F | 0020 | F |
| G | 0023 | G |
| H | 0025 | H |
| J | 0025 | J |
| K | 0025 | K |
| L | 0025 | L |

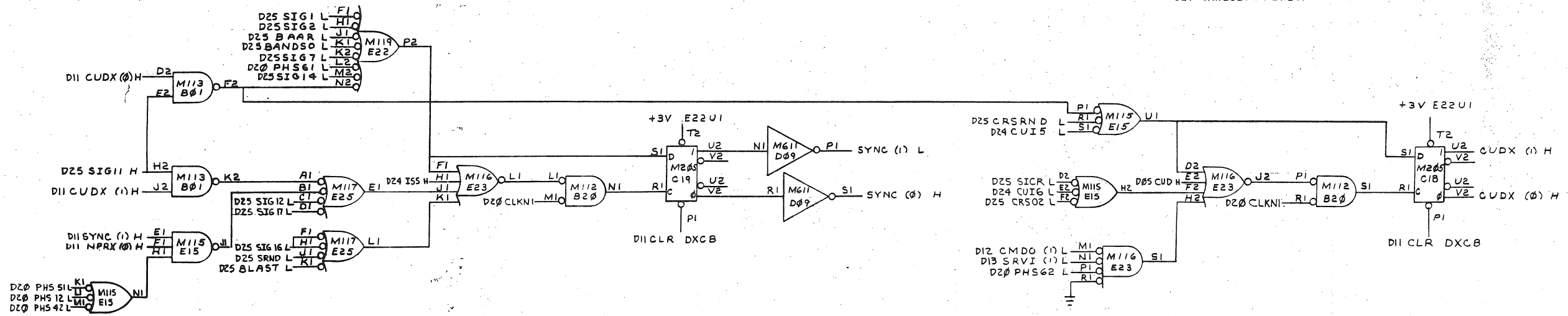
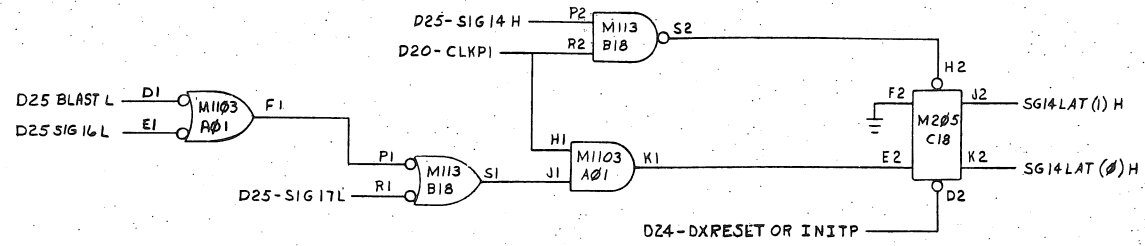
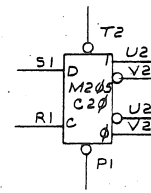
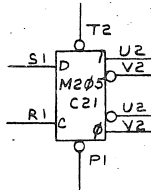
| FIRST USED ON OPTION/MODEL | QTY. | DESCRIPTION | PART NO. | ITEM NO. |
|--|----------|-------------------------|----------|----------|
| PDP-11 | | | | |
| UNLESS OTHERWISE SPECIFIED DIMENSION IN INCHES. TOLERANCES | | | | |
| DECIMALS | ANGLES | TITLE | | |
| .XX - .005 | ± 0° 30' | DXCB DX CONTROL BITS | | |
| .XX - .02 | | SCALE NONE | | |
| .X - .1 | | SHEET 1 OF 4 | | |
| MATERIAL | | NEXT HIGHER ASSY. | | REV. U |
| FINISH | | B-DD-DX11-B | | NUMBER |
| | | D B S D X 1 1 - B - 1 1 | | DIST. |

D B S D X 1 1 - B - 1 1

This drawing and specifications, herein, are the property of Digital Equipment Corporation and shall not be reproduced or copied in whole or in part as the basis for the manufacture or sale of items without written permission.
1972

(NOTE: MNCLFN ON D20)

(NOTE: MNCLKF ON D20)



| FIRST USED ON OPTION/MODEL | QTY. | DESCRIPTION | PART NO. | ITEM NO. |
|--|---------|---------------------------------|----------|----------|
| PDP-11 | | | | |
| UNLESS OTHERWISE SPECIFIED DIMENSION IN INCHES. TOLERANCES | | | | |
| DECIMALS | ANGLES | TITLE | | |
| .XXX - .005 | ±0° 30' | DXCB DX CONTROL BITS | | |
| .XX - .02 | | | | |
| .X - .1 | | MATERIAL | | |
| REMOVE BURRS AND BREAK SHARP CORNERS SURFACE QUALITY | | NEXT HIGHER ASSY. | | |
| FINISH | | SCALE NONE | | REV. J |
| SHEET 2 OF 4 | | DISTRIBUTION | | |

| REV | CHANGE NO. | DATE |
|-----|------------|------|
| | | |

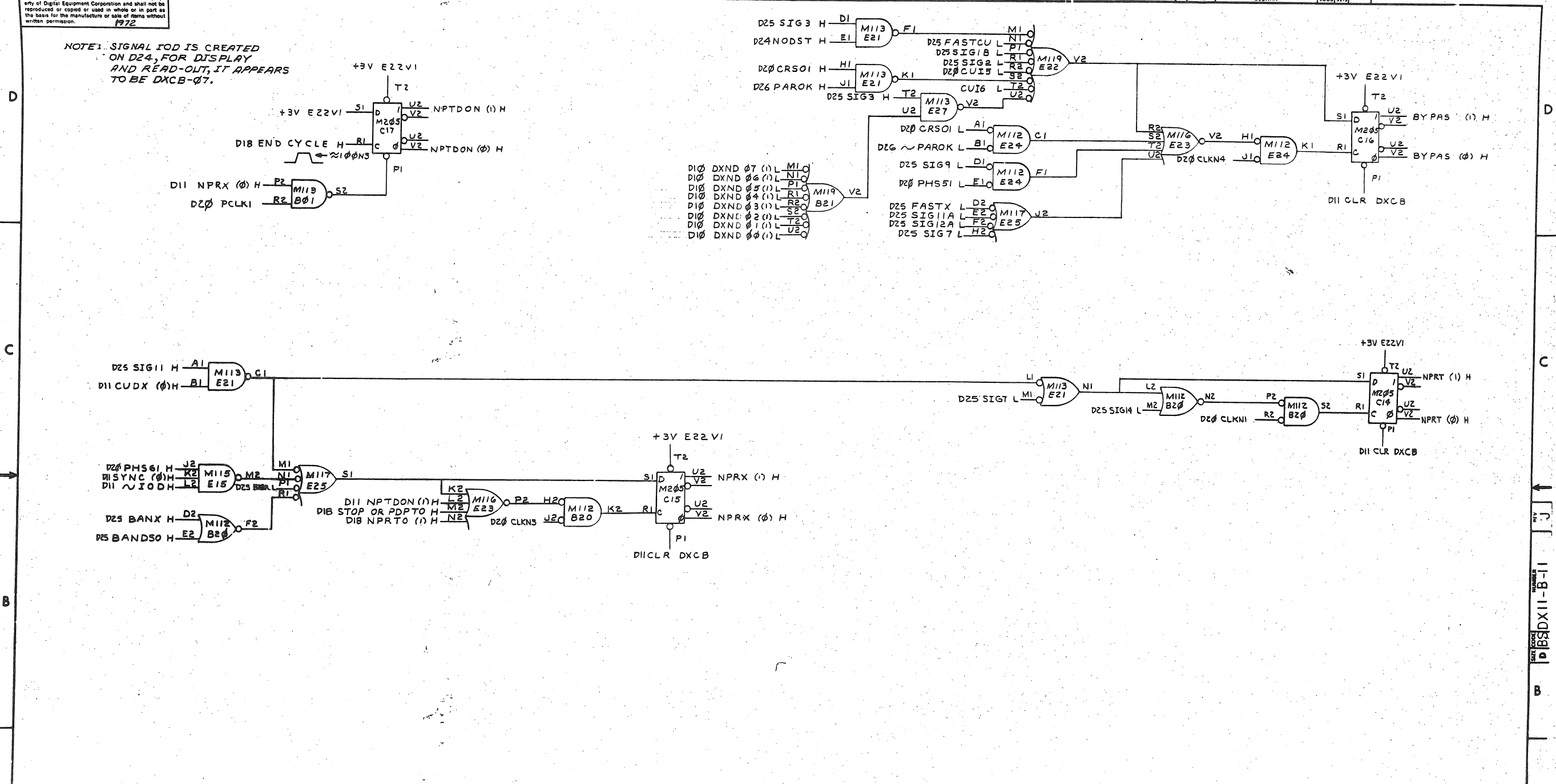
DEC FORM NO. DRD 100-B

30

D B S D X I I - B - 1 I

This drawing and specifications, herein, are the property of Digital Equipment Corporation and shall not be reproduced or copied or used in whole or in part as the basis for the manufacture or sale of items without written permission.

NOTE 1. SIGNAL IOD IS CREATED ON D24, FOR DISPLAY AND READ-OUT, IT APPEARS TO BE DXCB-Q7.

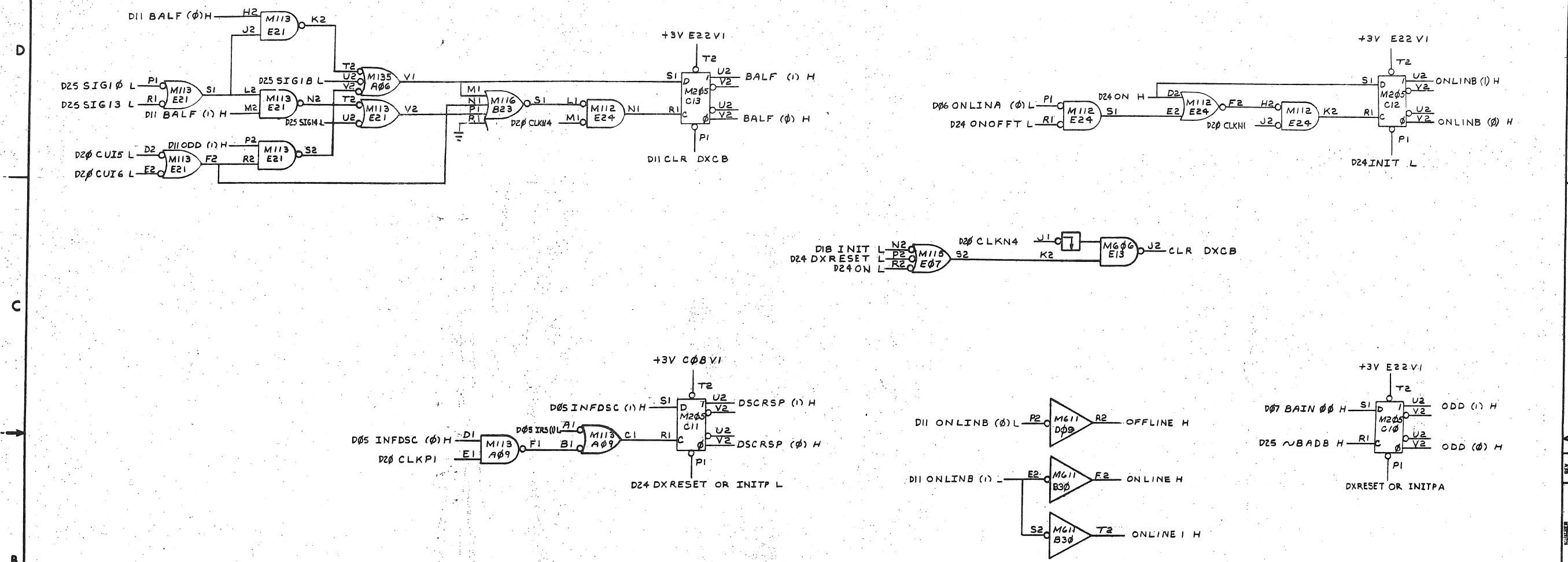


| | |
|-----|----|
| REV | NO |
| CHG | NO |
| REV | NO |
| CHG | NO |

| | | | | |
|---|--|-----------------|--|----------|
| FIRST USED ON OPTION/MODEL PDP-11 | QTY. | DESCRIPTION | PART NO. | ITEM NO. |
| PARTS LIST | | | | |
| UNLESS OTHERWISE SPECIFIED DIMENSION IN INCHES TOLERANCES | DRN <i>Wilson</i> | DATE 2-2-72 | DIGITAL EQUIPMENT CORPORATION MAYNARD MASSACHUSETTS | |
| DECIMALS | CHK'D <i>Wilson</i> | DATE 5-10-72 | TITLE DXCB | |
| ANGLES | ANG <i>Wilson</i> | DATE 5-2-72 | TITLE DX CONTROL BITS | |
| .XXR - .016 | PROJ ENG <i>Wilson</i> | DATE 5-11-72 | NEXT HIGHER ASSY. B-DD-DX11-B | |
| .XX - .02 | PROD <i>Wilson</i> | DATE 6-5-72 | SIZE CODE DBSDX11-B-11 | |
| .X - .1 | REMOVE BURRS AND BREAK SHARP CORNERS SURFACE QUALITY | | NUMBER J | |
| MATERIAL | | | SCALE NONE | |
| FINISH | | | SHEET 3 OF 4 | |
| | | | DIB. | |

This drawing and specifications, herein, are the property of Digital Equipment Corporation and shall not be reproduced or copied or used in whole or in part as the basis for the manufacture or sale of items without written permission.
P72

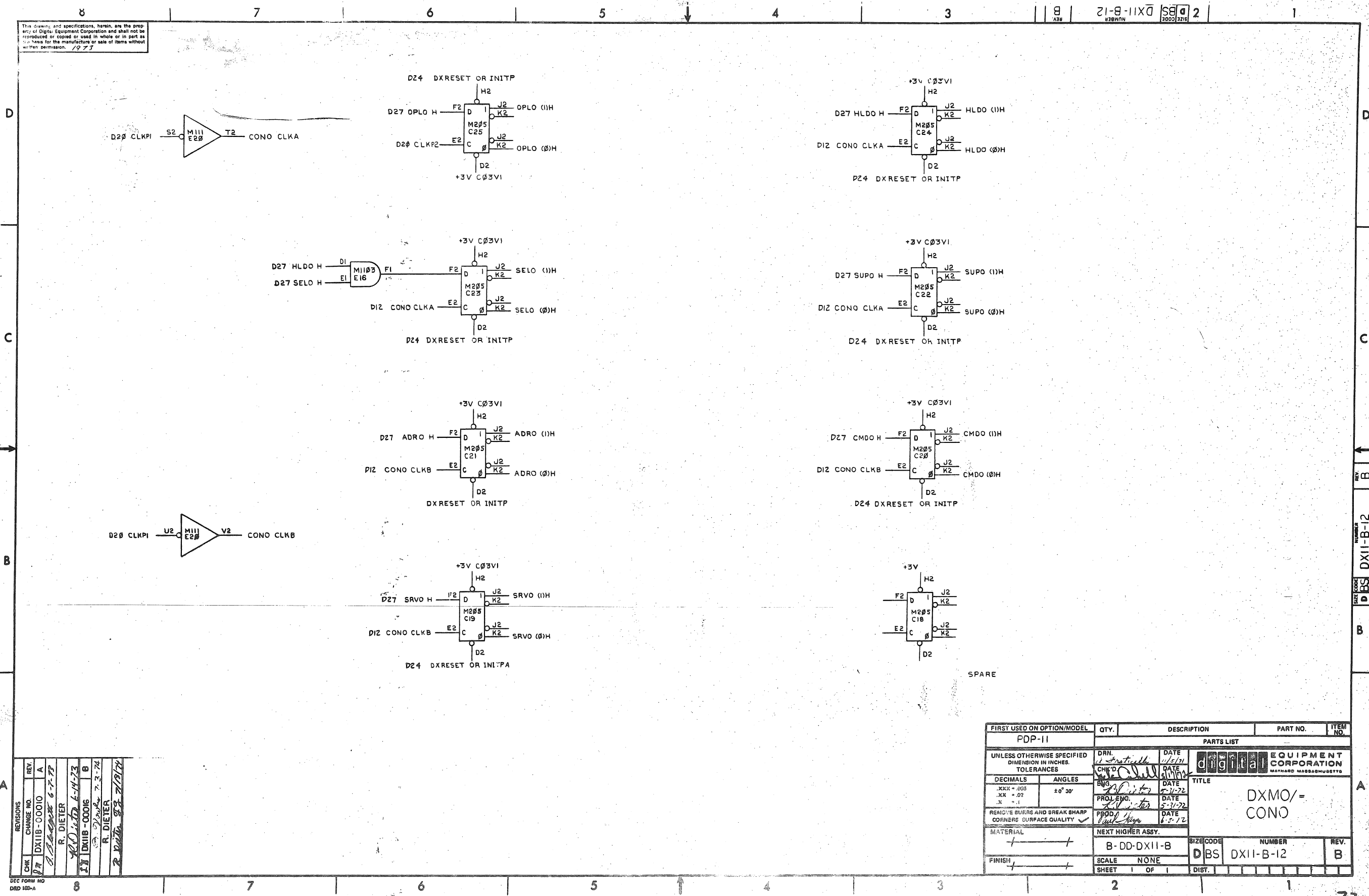
11-9-11XDSB 2



| | |
|-----|-----|
| REV | NO. |
| 1 | 1 |
| 2 | 1 |
| 3 | 1 |
| 4 | 1 |
| 5 | 1 |
| 6 | 1 |
| 7 | 1 |
| 8 | 1 |

| | | | | |
|--|-------------------------|-------------------------|--|------|
| FIRST USED ON OPTION/MODEL PDP-11 | QTY. | DESCRIPTION | PART NO. | REV. |
| PARTS LIST | | | | |
| UNLESS OTHERWISE SPECIFIED DIMENSION IN INCHES. TOLERANCES | DRN. DATE 2-28-72 | CHK'D DATE 3-1-72 | DIGITAL EQUIPMENT CORPORATION MAYNARD MASSACHUSETTS | |
| DECIMALS .XXX - .030 .XX - .02 .X - .1 | ANGLES 20° 30' | DATE 2-11-72 | TITLE DXCB DX CONTROL BITS | |
| REMOVE BURRS AND BREAK SHARP CORNERS SURFACE QUALITY | DATE 2-8-72 | DATE 2-8-72 | NUMBER D BS DX11-B-11 | |
| MATERIAL | NEXT HIGHER ASSY. | SCALE NONE | REV. J | |
| FINISH | B-DD-DX11-B | SHEET 4 OF 4 | | |

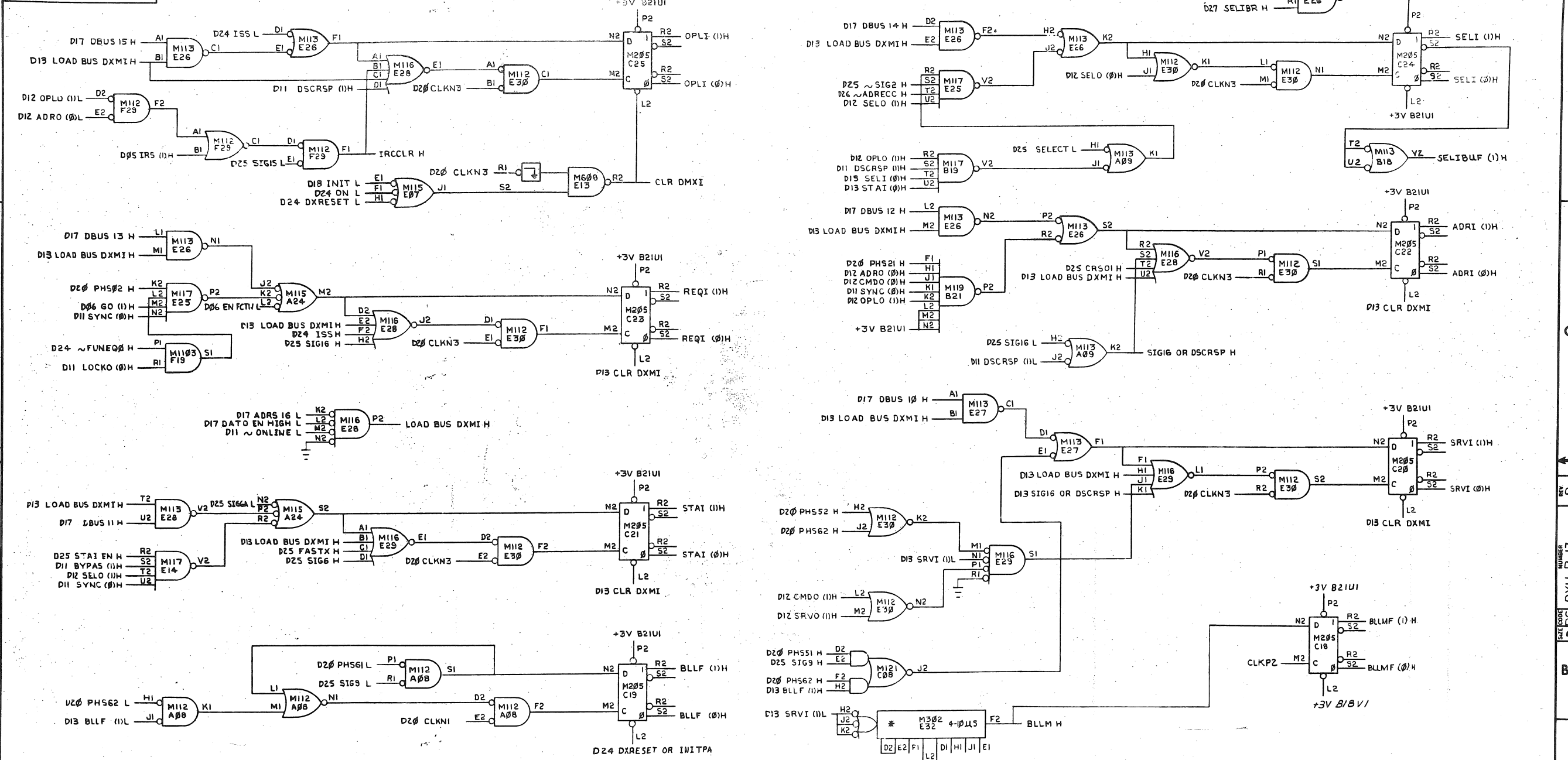
This drawing and specifications herein are the property of Digital Equipment Corporation and shall not be reproduced or copied or used in whole or in part as a basis for the manufacture or sale of items without written permission. 1973



| REV. | CHANGE NO. | DATE | BY | CHK'D |
|------|------------|---------|-----------|-------|
| A | 0010 | 6-7-72 | R. DIETER | |
| B | 0011 | 6-14-72 | R. DIETER | |
| C | 0012 | 7-3-72 | R. DIETER | |
| D | 0013 | 7-19-72 | R. DIETER | |

| FIRST USED ON OPTION/MODEL | QTY. | DESCRIPTION | PART NO. | ITEM NO. |
|--|---------|----------------------------|--------------|--|
| PDP-11 | | | | |
| PARTS LIST | | | | |
| UNLESS OTHERWISE SPECIFIED DIMENSION IN INCHES. TOLERANCES | | DRN. <i>Protivall</i> | DATE 1/5/71 | DIGITAL EQUIPMENT CORPORATION <small>MAYNARD MASSACHUSETTS</small> |
| DECIMALS | ANGLES | CHK'D <i>Protivall</i> | DATE 1/5/71 | |
| .XXX - .005 | ±0° 30' | ENG. <i>Protivall</i> | DATE 5-11-72 | |
| .XX - .02 | | PROL ENG. <i>Protivall</i> | DATE 5-11-72 | |
| REMOVE BURRS AND BREAK SHARP CORNERS SURFACE QUALITY | | PROD. <i>Protivall</i> | DATE 6-5-72 | |
| MATERIAL | | NEXT HIGHER ASSY. | | |
| FINISH | | B-DD-DX11-B | | SIZE CODE |
| | | SCALE NONE | | NUMBER |
| | | SHEET 1 OF 1 | | DX11-B-12 |
| | | DIST. | | REV. B |

This drawing and specifications herein are the property of Digital Equipment Corporation and shall not be reproduced or copied or used in whole or in part as the basis for the manufacture or sale of items without written permission.



* CW ROTATION DECREASES DELAY

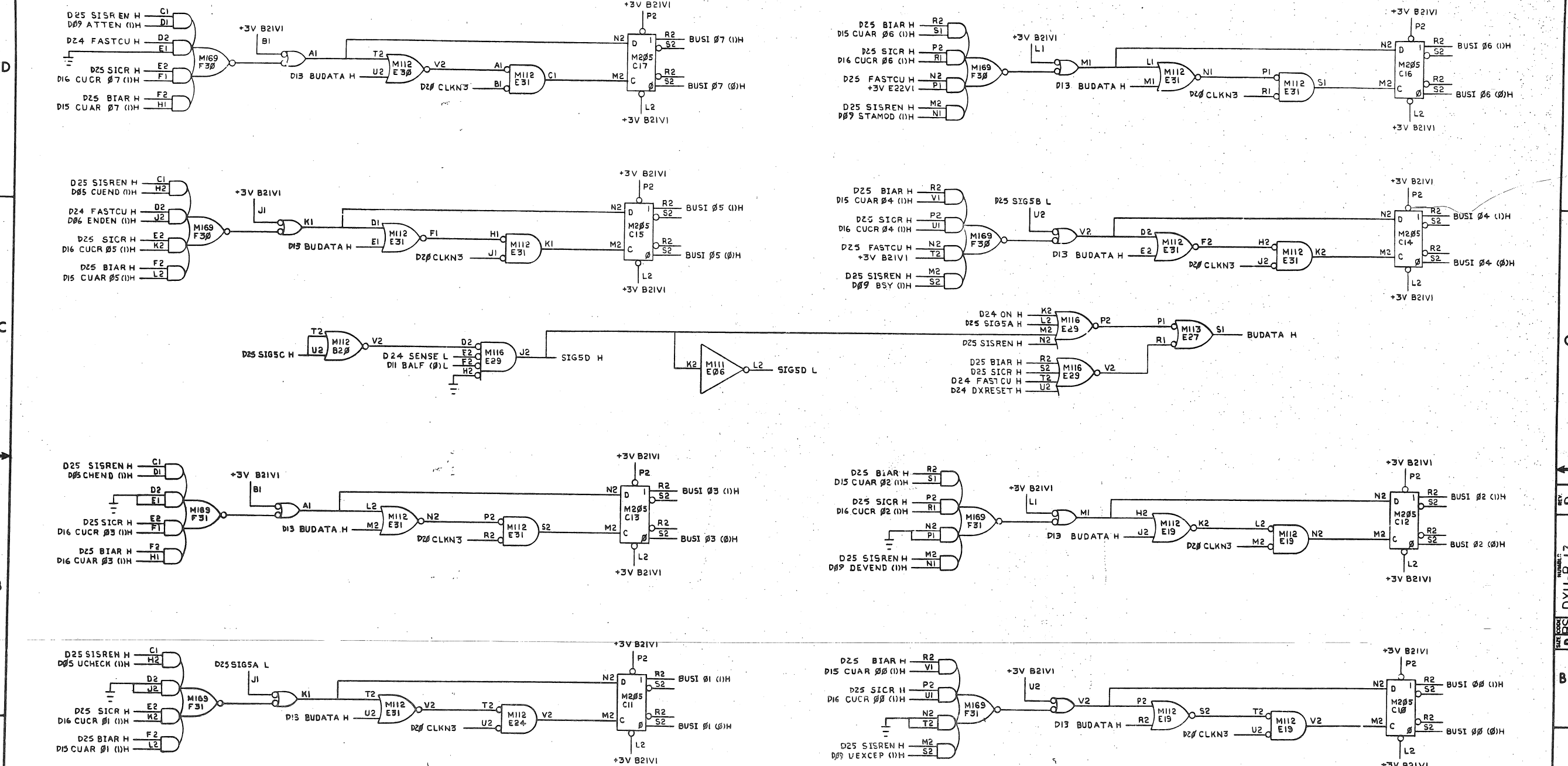
| REV. | CHG. | NO. | DATE | BY | CHK. |
|------|------|------|---------|-----------|------------|
| 1 | 1 | 0010 | 6-14-72 | R. DIETER | F. ZERESKI |
| 2 | 1 | 0015 | 6-14-72 | R. DIETER | F. ZERESKI |
| 3 | 1 | 0019 | 6-14-72 | R. DIETER | F. ZERESKI |
| 4 | 1 | 0021 | 6-14-72 | R. DIETER | F. ZERESKI |
| 5 | 1 | 0021 | 6-14-72 | R. DIETER | F. ZERESKI |
| 6 | 1 | 0021 | 6-14-72 | R. DIETER | F. ZERESKI |

DEC FORM NO. 000 100-1

34

| FIRST USED ON OPTION/MODEL | QTY. | DESCRIPTION | PART NO. | ITEM NO. |
|--|-------------------------------|--------------------|-------------------------------|-----------|
| PDP-11 | | PARTS LIST | | |
| UNLESS OTHERWISE SPECIFIED DIMENSION IN INCHES. TOLERANCES | DRN. <i>[Signature]</i> | DATE <i>4/4/72</i> | DIGITAL EQUIPMENT CORPORATION | |
| DECIMALS | CHK'D. <i>[Signature]</i> | DATE <i>5/1/72</i> | MAYNARD MASSACHUSETTS | |
| ANGLES | ELG. <i>[Signature]</i> | DATE <i>5-3-72</i> | TITLE | |
| .XXX + .005 | PROJ. ENG. <i>[Signature]</i> | DATE <i>5-3-72</i> | DXMI CONTROL IN/BUS IN | |
| .XX + .02 | PRD. <i>[Signature]</i> | DATE <i>6-8-72</i> | MATERIAL | |
| .X + .1 | | | NEXT HIGHER ASSY. | |
| REMOVE BURRS AND BREAK SHARP CORNERS SURFACE QUALITY | | | B-DD-DX11-B | |
| | | | SIZE CODE | NUMBER |
| | | | D BS | DX11-B-13 |
| | | | SCALE | NONE |
| | | | SHEET | 1 OF 2 |
| | | | DIST. | |
| | | | REV. | D |

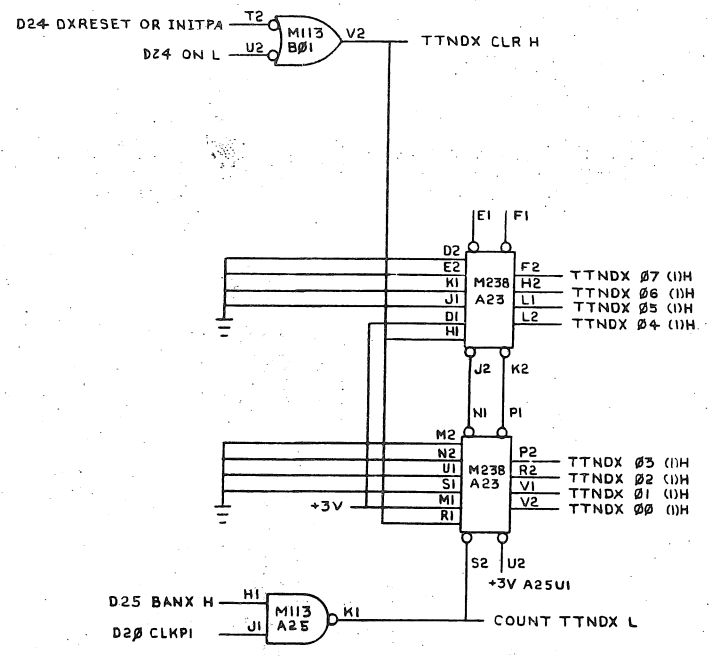
This drawing and specifications, herein, are the property of Digital Equipment Corporation and shall not be reproduced or copied in whole or in part as the basis for the manufacture or sale of items without written permission.



| REV. | NO. | DESCRIPTION |
|------|-----|-------------|
| | | |
| | | |

| | | | | |
|--|-------------------|----------------|--|----------|
| FIRST USED ON OPTION/MODEL PDP-11 | QTY. | DESCRIPTION | PART NO. | ITEM NO. |
| PARTS LIST | | | | |
| UNLESS OTHERWISE SPECIFIED DIMENSION IN INCHES. TOLERANCES | | DATE 5/1/72 | DIGITAL EQUIPMENT CORPORATION MAYNARD MASSACHUSETTS | |
| DECIMALS | ANGLES | DATE 5-3-72 | | |
| .XXX - .005 | ±0° 30' | DATE 5-3-72 | | |
| .XX - .02 | | DATE 6-5-72 | | |
| REMOVE BURRS AND BREAK SHARP CORNERS. SURFACE QUALITY | | DATE 6-5-72 | TITLE DXMI CONTROL IN/ BUS IN | |
| MATERIAL | NEXT HIGHER ASSY. | SIZE CODE | | |
| FINISH | SCALE NONE | NUMBER | | |
| SHEET 2 OF 2 | | DIST. | DXII-B-13 | REV. D |

This drawing and specifications herein are the property of Digital Equipment Corporation and shall not be reproduced or copied or used in whole or in part as the basis for the manufacture or sale of items without written permission. 1973



| REV. | CHG. | NO. | DATE |
|------|------|-------|--------|
| A | 1 | 00010 | 6-1-73 |
| A | 2 | 00010 | 6-1-73 |

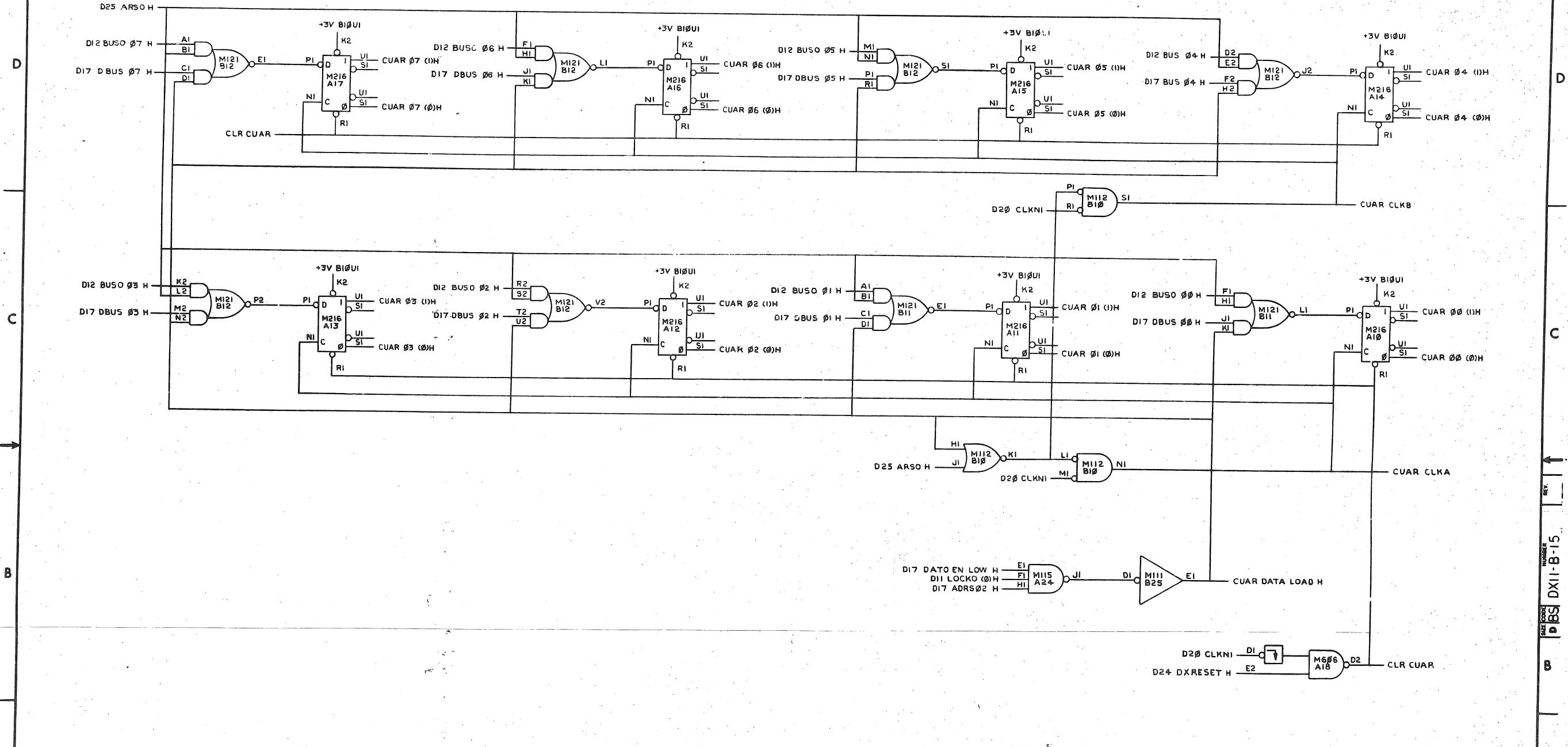
R. DIETER
6-1-73

DEC FORM NO. DDD 100-4

| FIRST USED ON OPTION/MODEL | QTY. | DESCRIPTION | PART NO. | ITEM NO. |
|--|-------------------|------------------------|---|-----------|
| PDP-11 | | | | |
| PARTS LIST | | | | |
| UNLESS OTHERWISE SPECIFIED DIMENSION IN INCHES | DRN. DATE 4/2/73 | CHKD. DATE 5/17/73 | DIGITAL EQUIPMENT CORPORATION MAYFIELD MASSACHUSETTS | |
| TOLERANCES | ENG. DATE 5-3-72 | PROJ. ENG. DATE 5-2-72 | | |
| DECIMALS .XXX = .005 .XX = .02 .X = .1 | ±0° 30' | PROO. DATE 6-5-73 | TITLE TTNDX TUMBLE TABLE INDEX | |
| REMOVE BURRS AND BREAK SHARP CORNERS SURFACE QUALITY | | | | |
| MATERIAL | NEXT HIGHER ASSY. | SCALE NONE | SIZE CODE | NUMBER |
| | B-DD-DX11-B | | DBS | DX11-B-14 |
| FINISH | | SHEET | OF | DIST. |
| | | | | |

REV. A
NUMBER DBS
DX11-B-14

This drawing and specifications, herein, are the property of Digital Equipment Corporation and shall not be reproduced or copied or used in whole or in part as the basis for the manufacture or sale of items without written permission.

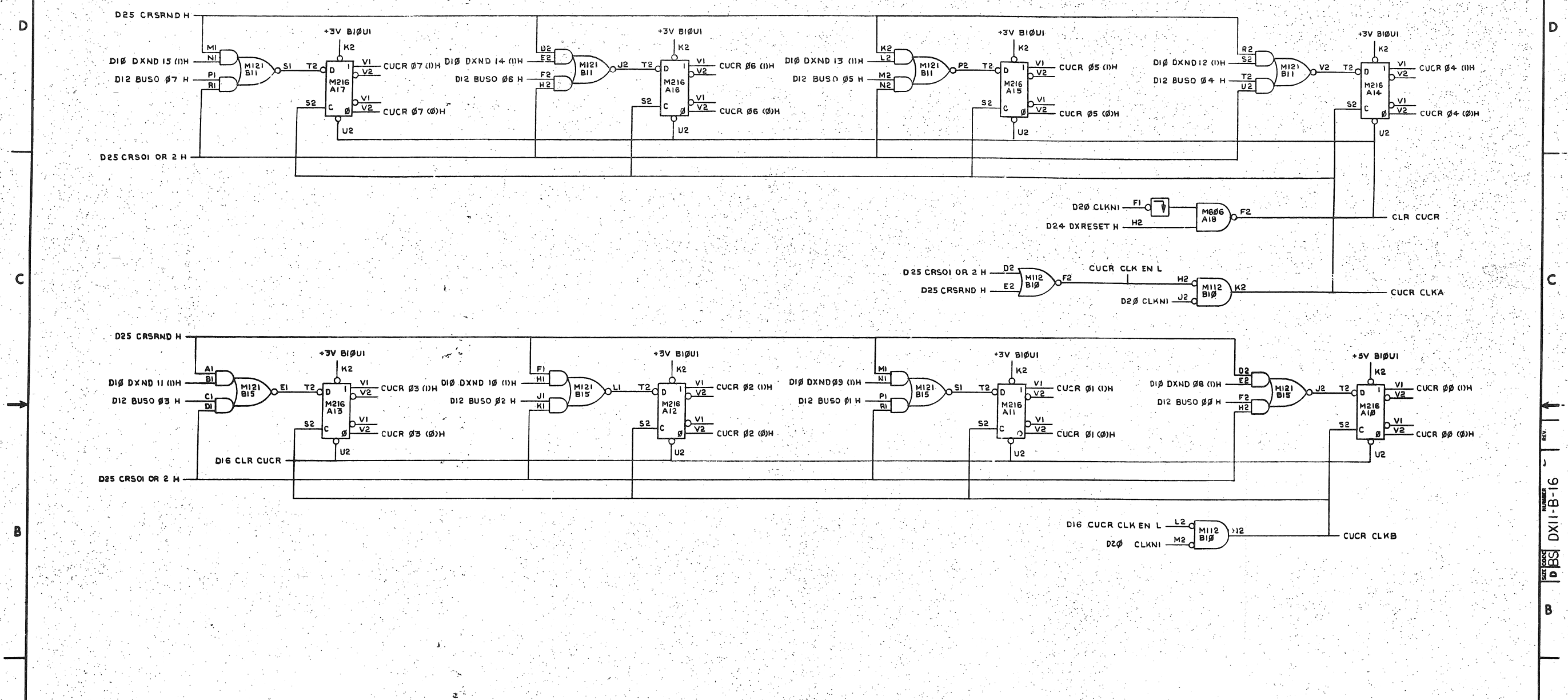


| | |
|------------|--|
| REV. | |
| CHG | |
| REVISIONS | |
| CHANGE NO. | |

| | | | | |
|--|---------|---------------------------------------|----------|----------|
| FIRST USED ON OPTION/MODEL PDP-11 | QTY. | DESCRIPTION | PART NO. | ITEM NO. |
| UNLESS OTHERWISE SPECIFIED DIMENSIONS IN INCHES TOLERANCES | | | | |
| DECIMALS | ANGLES | TITLE CUAR CONT. UNIT ADDRESS REG. | | |
| ±0.005 | ±0° 30' | PARTS LIST | | |
| MATERIAL | | NEXT HIGHER ASSY. | | |
| FINISH | | A-ML-DX11-B | | |
| SCALE | | NONE | | |
| SHEET | | 1 OF 1 | | |
| DISTRIBUTION | | DBS DX11-B-15 | | |

DBS DX11-B-15

This drawing and specifications, herein, are the property of Digital Equipment Corporation and shall not be reproduced or copied or used in whole or in part as the basis for the manufacture or sale of items without written permission.



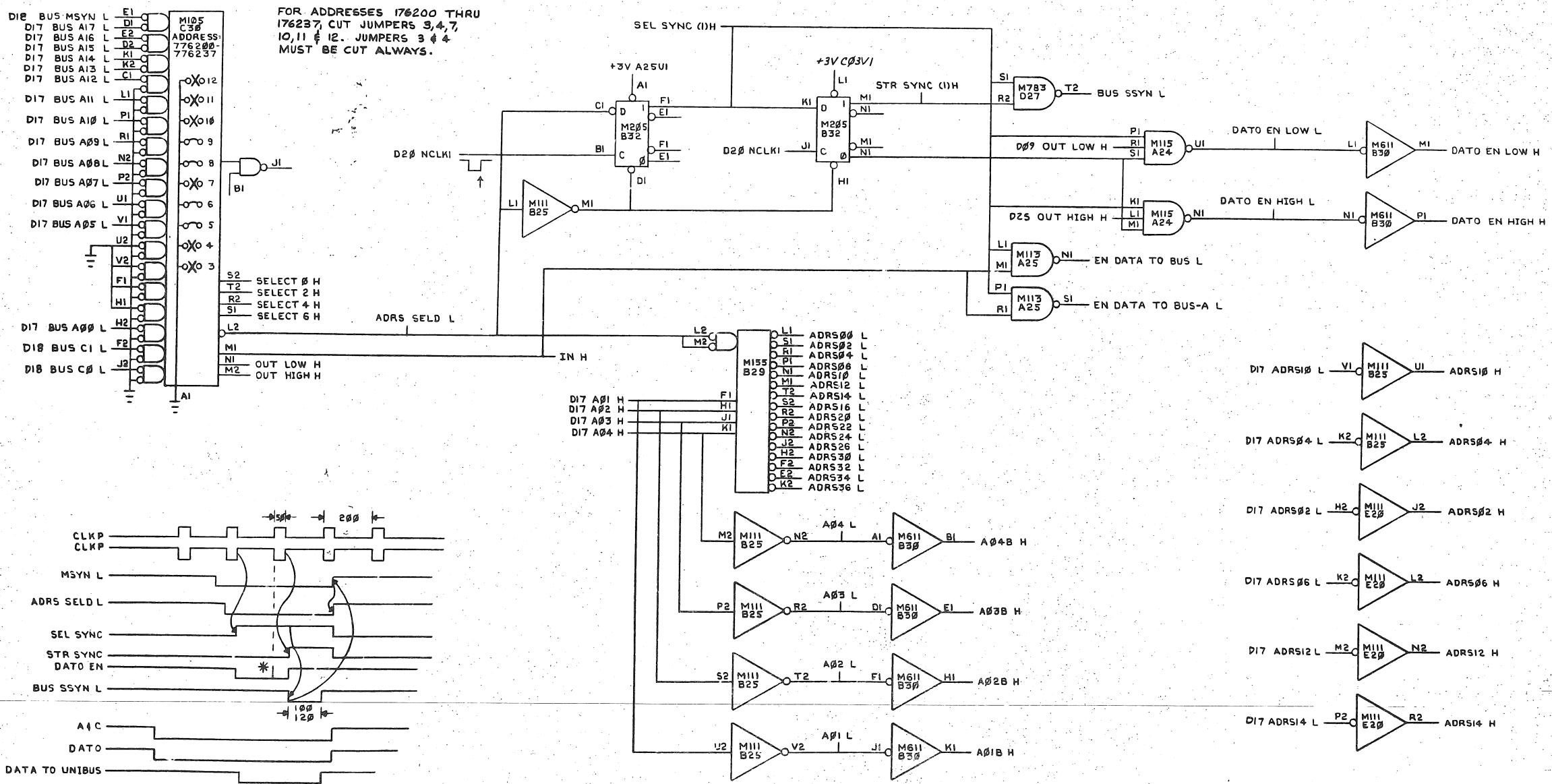
| REV. | CHANGE NO. |
|------|------------|
| | |
| | |

38

| | | | | |
|--|--|------------------|---|-----------|
| FIRST USED ON OPTION/MODEL PDP-11 | QTY. | DESCRIPTION | PART NO. | ITEM NO. |
| PARTS LIST | | | | |
| UNLESS OTHERWISE SPECIFIED DIMENSION IN INCHES. TOLERANCES | DRN. <i>A. Proctor</i> | DATE 11-27-71 | digital EQUIPMENT CORPORATION <small>MAYNARD MASSACHUSETTS</small> TITLE CUCR CONT. UNIT CONTROL REG. | |
| DECIMALS | CHK'D. <i>W. Miller</i> | DATE 5-17-72 | | |
| ANGLES | ENG. <i>W. Miller</i> | DATE 5-3-72 | | |
| .XX - .005 | PROJ. ENG. <i>W. Miller</i> | DATE 5-3-72 | | |
| .XX - .02 | PROD. <i>Paul Hayes</i> | DATE 6-5-72 | | |
| .X - .1 | REMOVE BURRS AND BREAK SHARP CORNERS SURFACE QUALITY | | | |
| MATERIAL | NEXT HIGHER ASSY. | | SIZE CODE | NUMBER |
| FINISH | SCALE NONE | | DBS | DX11-B-16 |
| | SHEET 1 OF 1 | | DIST. | |

This drawing and specifications, herein, are the property of Digital Equipment Corporation and shall not be reproduced or copied or used in whole or in part as the basis for the manufacture or sale of items without written permission.
1972

NOTE:
FOR ADDRESSES 176200 THRU 176237, CUT JUMPERS 3, 4, 7, 10, 11 & 12. JUMPERS 3 & 4 MUST BE CUT ALWAYS.

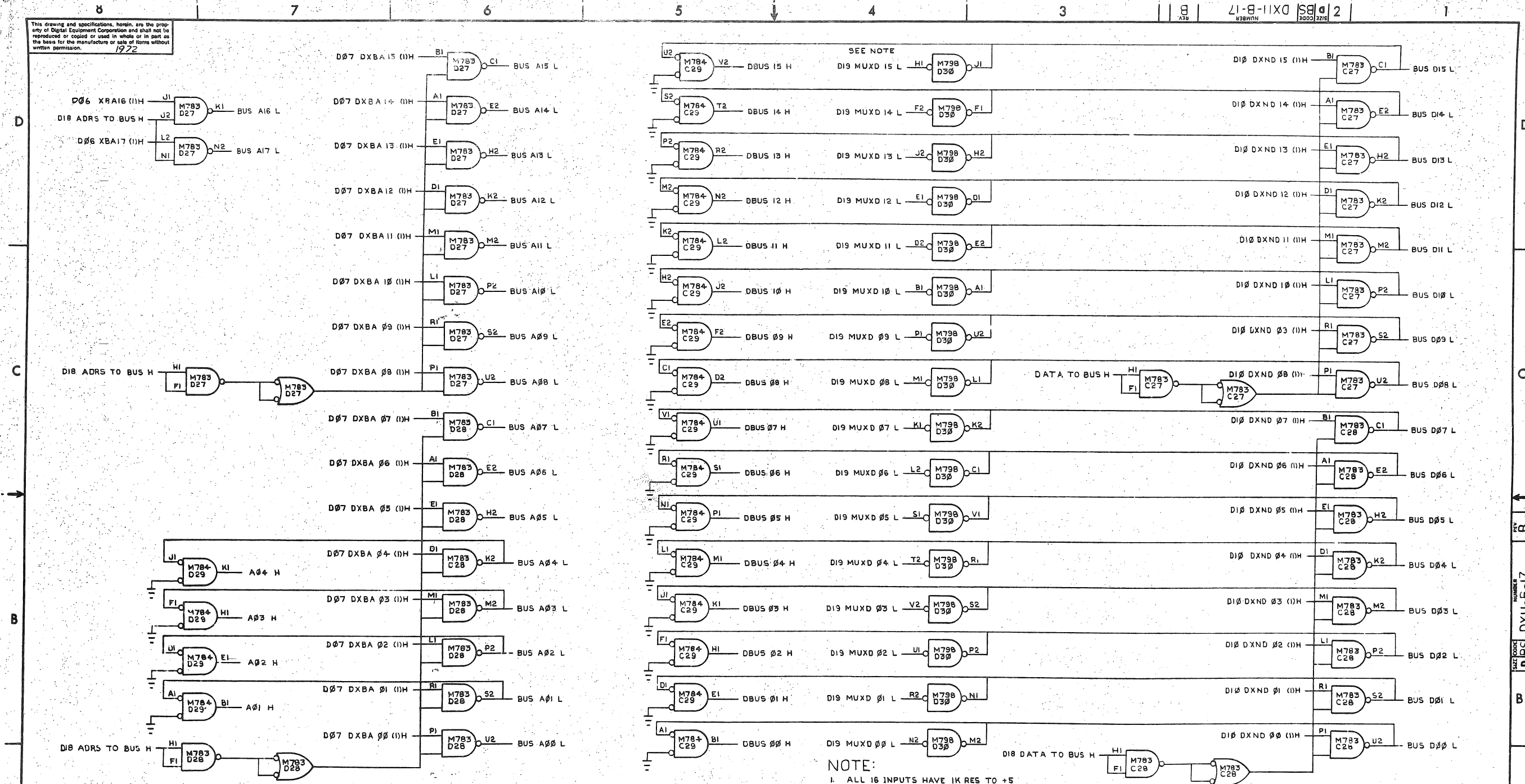


* INTERNAL CLOCK PRODUCES DATA STROBE.

| REV. | CHG. | NO. | DATE | BY |
|------|------|-----|----------|------------|
| A | | 1 | 12/17/72 | DIETER |
| B | | 2 | 12-17-72 | F. ZERESKI |
| C | | 3 | 11-5-73 | F. ZERESKI |
| D | | 4 | 1-17-75 | F. ZERESKI |

| FIRST USED ON OPTION/MODEL | QTY. | DESCRIPTION | PART NO. | ITEM NO. |
|---|-------------------------------|---------------------|-------------------------------|----------|
| PDP-11 | | PARTS LIST | | |
| UNLESS OTHERWISE SPECIFIED DIMENSION IN INCHES. | DRN. <i>[Signature]</i> | DATE <i>12/1/71</i> | digital EQUIPMENT CORPORATION | |
| TOLERANCES | CHKD. <i>[Signature]</i> | DATE <i>5-9-72</i> | MAYNARD MASSACHUSETTS | |
| DECIMALS | ENR. <i>[Signature]</i> | DATE <i>5-9-72</i> | TITLE | |
| ANGLES | PROJ. ENR. <i>[Signature]</i> | DATE <i>5-3-72</i> | UNIBUS INTERFACE | |
| ±0° 30' | PROJ. <i>[Signature]</i> | DATE <i>6-5-74</i> | | |
| ±.1 | | | | |
| REMOVE BURRS AND BREAK SHARP CORNERS TO SURFACE QUALITY | | | | |
| MATERIAL | NEXT HIGHER ASSY. | | | |
| | A-ML-DX11-B | SIZE CODE | NUMBER | REV. |
| FINISH | SCALE NONE | DBS | DX11-B-17 | B |
| | SHEET 1 OF 2 | DIST. | | |

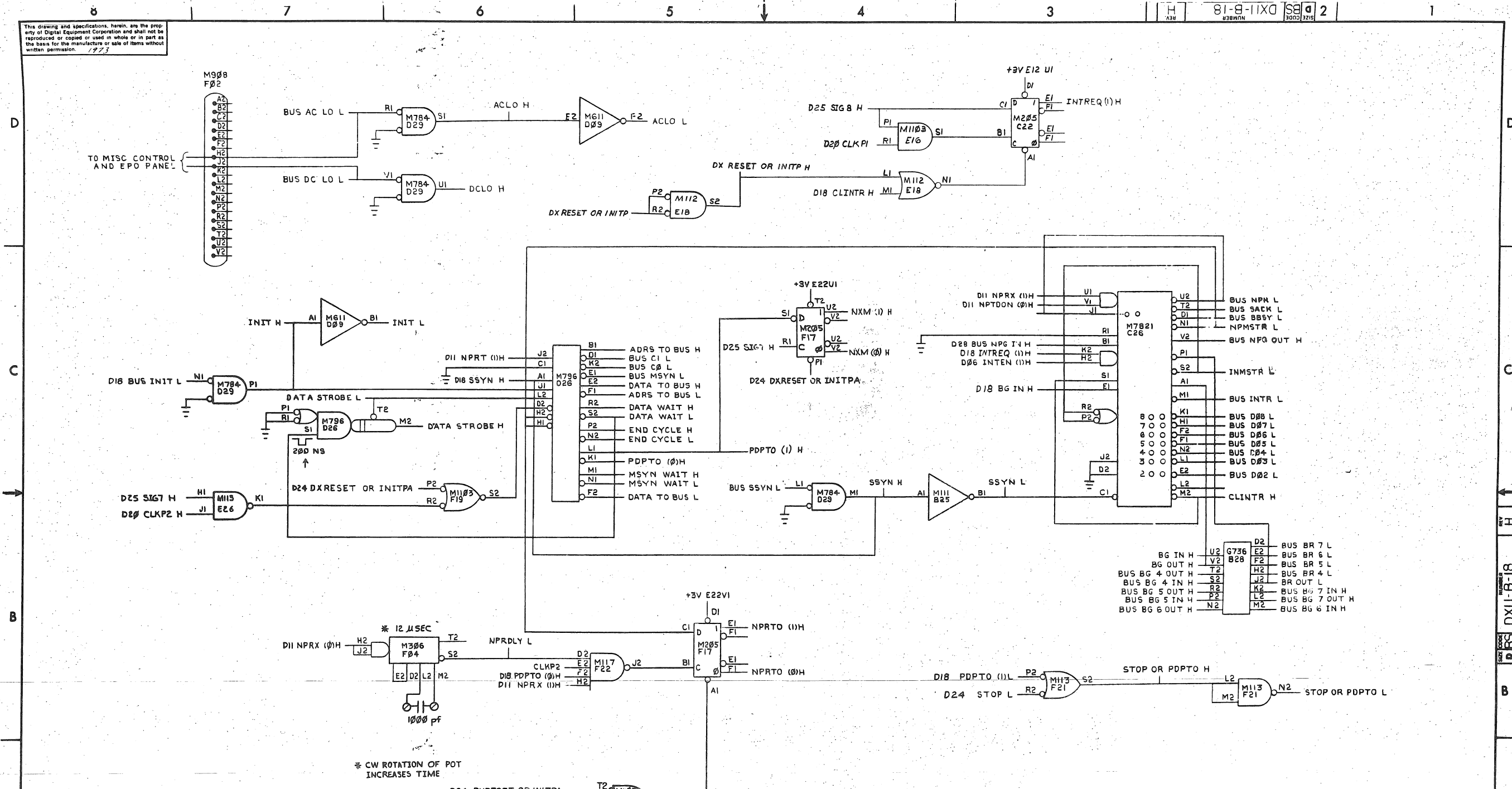
This drawing and specifications, herein, are the property of Digital Equipment Corporation and shall not be reproduced or copied or used in whole or in part as the basis for the manufacture or sale of items without written permission.
1272



REVISIONS
CHANGE NO.
CHK

| FIRST USED ON OPTION/MODEL | QTY. | DESCRIPTION | PART NO. | ITEM NO. |
|--|---------|------------------------------------|-----------------|--|
| PDP-11 | | | | |
| PARTS LIST | | | | |
| UNLESS OTHERWISE SPECIFIED DIMENSION IN INCHES. TOLERANCES | | DRN <i>R. J. Stetson</i> | DATE 1/21/71 | DIGITAL EQUIPMENT CORPORATION MAYFORD MASSACHUSETTS |
| DECIMALS | ANGLES | CHKD <i>R. J. Stetson</i> | DATE 5/22/72 | |
| .XXX - .008 | t0° 30' | ENGR <i>R. J. Stetson</i> | DATE 5-2-72 | |
| .XX - .02 | | PROJ. ENGR <i>R. J. Stetson</i> | DATE 5-2-72 | |
| REMOVE BURRS AND BREAK SHARP CORNERS SURFACE QUALITY | | PROD. <i>R. J. Stetson</i> | DATE 6-3-72 | TITLE UNIBUS INTERFACE |
| MATERIAL | | NEXT HIGHER ASSY. | | |
| + / + | | A-ML-DX11-B | | |
| FINISH | | SCALE NONE | SHEET 2 OF 2 | SIZE CODE D BS |
| | | | | NUMBER DX11-B-17 |
| | | | | REV. B |

This drawing and specifications herein are the property of Digital Equipment Corporation and shall not be reproduced or copied or used in whole or in part as the basis for the manufacture or sale of items without written permission. 1973

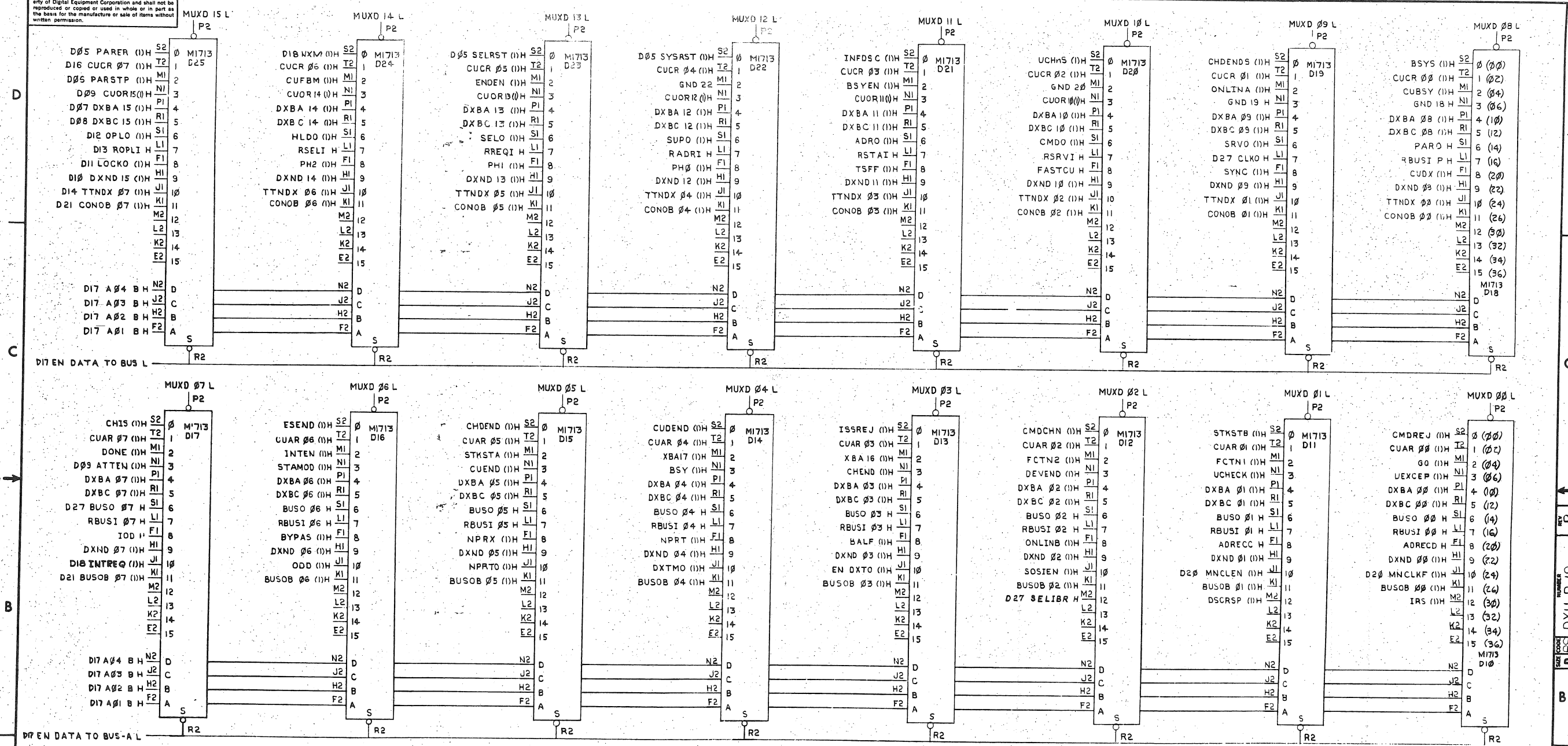


* CW ROTATION OF POT INCREASES TIME

| REV. | CHG. | NO. | DATE | BY | CHKD. |
|------|------|-----|----------|-----------|-------|
| A | | 1 | 11-27-72 | R. DIETER | |
| B | | 2 | 12-2-72 | R. DIETER | |
| C | | 3 | 1-1-73 | R. DIETER | |
| D | | 4 | 2-6-73 | R. DIETER | |
| E | | 5 | 6-7-73 | R. DIETER | |
| F | | 6 | 6-14-73 | R. DIETER | |
| G | | 7 | 1-29-74 | R. DIETER | |
| H | | 8 | 2-2-74 | R. DIETER | |
| I | | 9 | 10-9-73 | R. DIETER | |
| J | | 10 | 1-29-74 | R. DIETER | |
| K | | 11 | 2-2-74 | R. DIETER | |
| L | | 12 | 10-9-73 | R. DIETER | |
| M | | 13 | 1-29-74 | R. DIETER | |
| N | | 14 | 2-2-74 | R. DIETER | |
| O | | 15 | 10-9-73 | R. DIETER | |
| P | | 16 | 1-29-74 | R. DIETER | |
| Q | | 17 | 2-2-74 | R. DIETER | |
| R | | 18 | 10-9-73 | R. DIETER | |
| S | | 19 | 1-29-74 | R. DIETER | |
| T | | 20 | 2-2-74 | R. DIETER | |
| U | | 21 | 10-9-73 | R. DIETER | |
| V | | 22 | 1-29-74 | R. DIETER | |
| W | | 23 | 2-2-74 | R. DIETER | |
| X | | 24 | 10-9-73 | R. DIETER | |
| Y | | 25 | 1-29-74 | R. DIETER | |
| Z | | 26 | 2-2-74 | R. DIETER | |

| FIRST USED ON OPTION/MODEL | QTY. | DESCRIPTION | PART NO. | ITEM NO. |
|--|------|-------------|-----------|----------|
| PDP-11 | | | | |
| UNLESS OTHERWISE SPECIFIED DIMENSION IN INCHES. TOLERANCES | | | | |
| DECIMALS | | ANGLES | | |
| .005 | | ±0°30' | | |
| .02 | | | | |
| .1 | | | | |
| REMOVE BURRS AND BREAK SHARP CORNERS. SURFACE QUALITY | | | | |
| NEXT HIGHER ASSY. | | | | |
| B-DD-DX11-B | | SIZE CODE | NUMBER | REV. |
| SCALE NONE | | DBS | DX11-B-18 | H |
| SHEET OF | | DIST. | | |

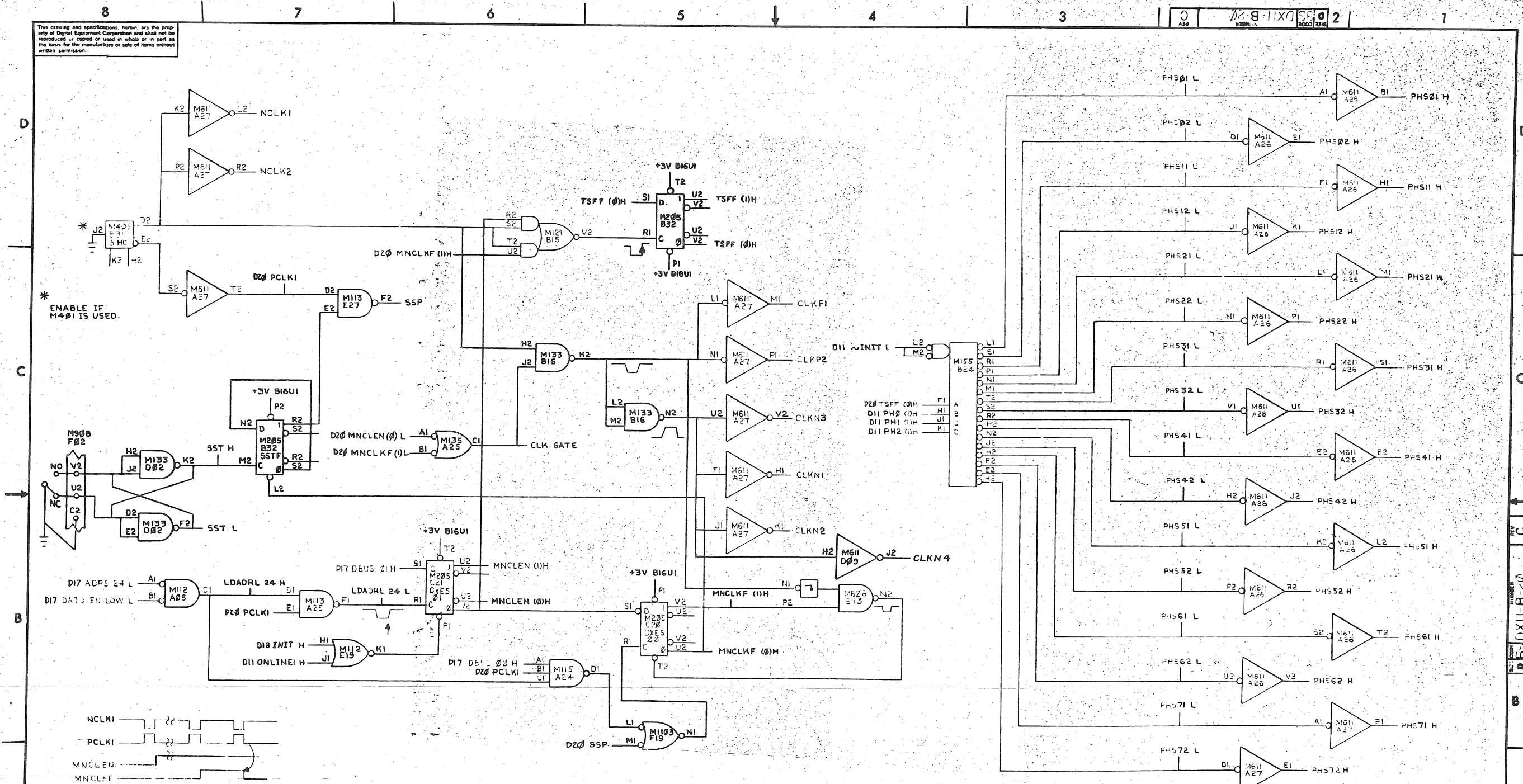
This drawing and specifications, herein, are the property of Digital Equipment Corporation and shall not be reproduced or copied or used in whole or in part as the basis for the manufacture or sale of items without written permission.



| REV. | CHG. | NO. | DATE |
|------|------|------|---------|
| 1 | 1 | 0006 | 9-8-72 |
| 2 | 1 | 0007 | 9-11-72 |
| 3 | 1 | 0008 | 4-2-77 |
| 4 | 1 | 0009 | 4-2-77 |

| FIRST USED ON OPTION/MODEL | QTY. | DESCRIPTION | PART NO. | ITEM NO. |
|---|-------------------|-------------------------------|----------|----------|
| PDP-11 | | PARTS LIST | | |
| UNLESS OTHERWISE SPECIFIED DIMENSION IN INCHES TOLERANCES | | | | |
| DECIMALS | ANGLES | TITLE | | |
| .XXX - .008 | ±0° 30' | DIGITAL EQUIPMENT CORPORATION | | |
| .XX - .02 | | MAYNARD MASSACHUSETTS | | |
| .X - .1 | | DATA BUS MUX. | | |
| REMOVE BURRS AND BREAK SHARP CORNERS SURFACE QUALITY | | | | |
| MATERIAL | NEXT HIGHER ASSY. | | | |
| FINISH | SCALE NONE | | | |
| | SHEET OF 1 | | | |
| | DISTRIBUTION | | | |

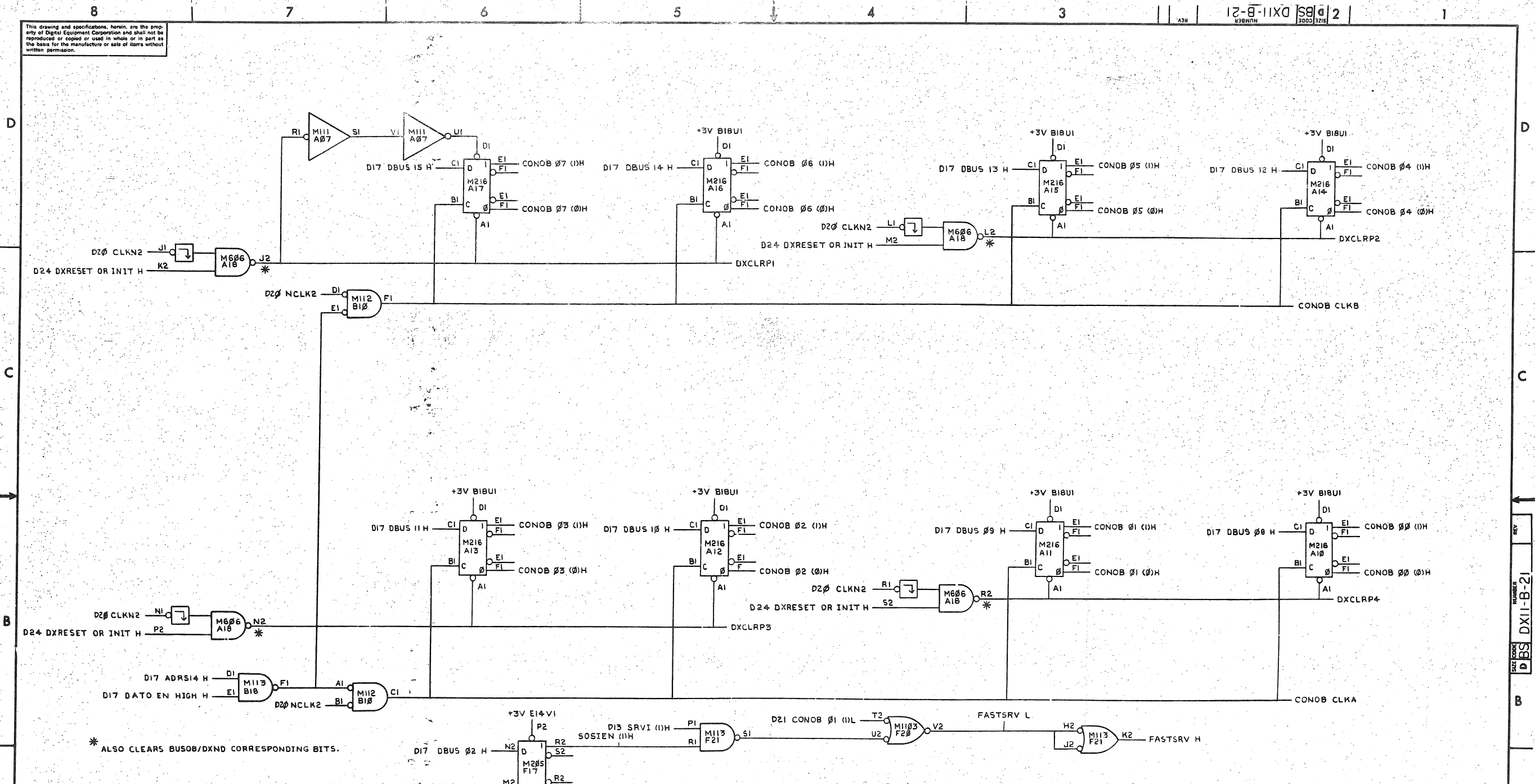
This drawing and specifications, herein, are the property of Digital Equipment Corporation and shall not be reproduced, copied or used in whole or in part as the basis for the manufacture or sale of items without written permission.



| REV. | CHG. NO. | DATE | BY | CHKD. |
|------|----------|---------|----|-------|
| 1 | 0000 | 9-8-72 | A | |
| 2 | 0001 | 9-11-72 | B | |
| 3 | 0002 | 1-23-74 | C | |
| 4 | 0003 | 7-3-74 | C | |
| 5 | 0004 | 7-3-74 | C | |
| 6 | 0005 | 7-3-74 | C | |
| 7 | 0006 | 7-3-74 | C | |
| 8 | 0007 | 7-3-74 | C | |

| FIRST USED ON OPTION/MODEL | QTY. | DESCRIPTION | PART NO. | ITEM NO. |
|--|----------|---|----------|----------|
| PC-11 | | | | |
| PARTS LIST | | | | |
| UNLESS OTHERWISE SPECIFIED DIMENSIONS IN INCHES TOLERANCES | | | | |
| DECIMALS | ANGLES | TITLE | | |
| .125 ± .005 | ± 0° 30' | CLOCK, PHASE & TIME STATE GEN. | | |
| .125 ± .005 | ± 0° 30' | RESOLVE SURF. AND BREAK SHARP CORNERS SURFACE QUALITY | | |
| MATERIAL | | NEXT HIGHER ASSY. | | |
| SCALE NONE | | SIZE CODE NUMBER REV. | | |
| SHEET 1 OF 1 | | D E S D X I I - B - 2 0 C | | |

This drawing and specifications herein are the property of Digital Equipment Corporation and shall not be reproduced or copied or used in whole or in part as the basis for the manufacture or sale of items without written permission.



* ALSO CLEARS BUS00/DXND CORRESPONDING BITS.

| REV. | CHANGE NO. | REVISIONS |
|------|------------|-----------|
| | | |
| | | |

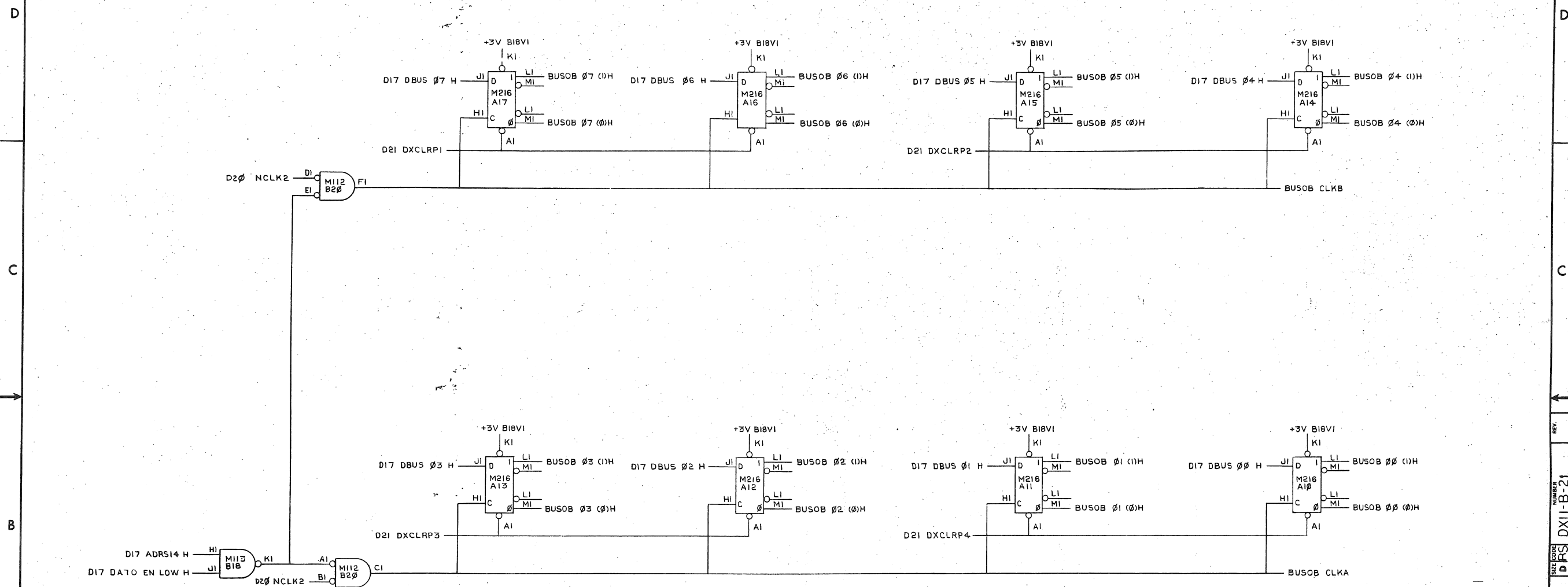
44

| FIRST USED ON OPTION/MODEL | QTY. | DESCRIPTION | PART NO. | ITEM NO. |
|---|----------|--|---|-----------|
| PDP-11 | | PARTS LIST | | |
| UNLESS OTHERWISE SPECIFIED DIMENSION IN INCHES TOLERANCES | | DRN. <i>[Signature]</i> DATE 2/1/71 | DIGITAL EQUIPMENT CORPORATION MAYNARD, MASSACHUSETTS | |
| DECIMALS | ANGLES | CHK'D. <i>[Signature]</i> DATE 2/1/71 | TITLE DXMOB- CONO BUFF/ BUSO BUFF. | |
| .XXX - .000 | ± 0° 30' | ENG. <i>[Signature]</i> DATE 5-17-72 | | |
| .X - .1 | | PROJ. ENG. <i>[Signature]</i> DATE 5-21-72 | | |
| REMOVE BURRS AND BREAK SHARP CORNERS SURFACE QUALITY | | PRD. <i>[Signature]</i> DATE 6-7-72 | MATERIAL | |
| | | | NEXT HIGHER ASSY. | |
| | | | A-ML-DX11-B | |
| | | | SIZE CODE | NUMBER |
| | | | DBS | DX11-B-21 |
| | | | SCALE | NONE |
| | | | SHEET | 1 OF 2 |
| | | | DIST. | |

REV. 1
NUMBER
DBS
DX11-B-21

This drawing and specifications, herein, are the property of Digital Equipment Corporation and shall not be reproduced or copied or used in whole or in part as the basis for the manufacture or sale of items without written permission.

12-B-21
REV. 2



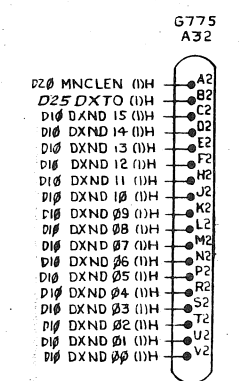
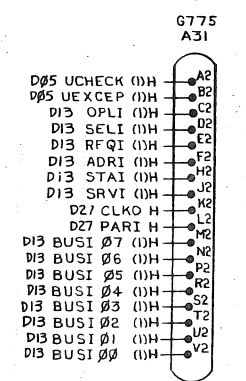
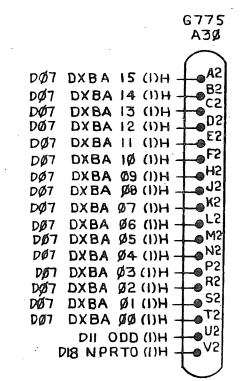
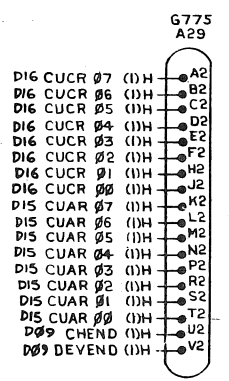
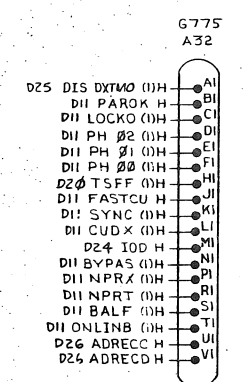
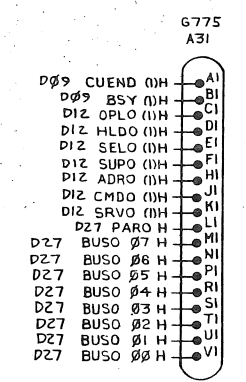
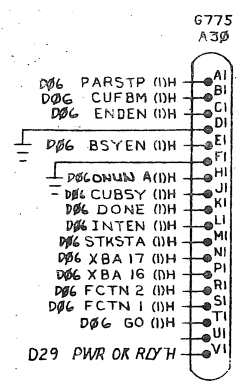
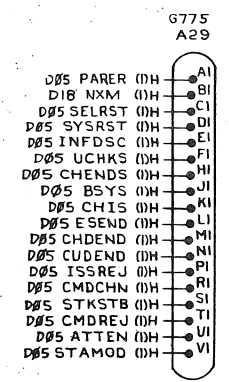
| | |
|------------|--|
| REV. | |
| CHANGE NO. | |
| CHK. | |

DEC FORM NO. DRU 100-A

| | | | | |
|--|---------------------------------|-----------------|--|--|
| FIRST USED ON OPTION/MODEL PDP-11 | QTY. | DESCRIPTION | PART NO. | ITEM NO. |
| PARTS LIST | | | | |
| UNLESS OTHERWISE SPECIFIED DIMENSION IN INCHES. TOLERANCES | DRN <i>P. Fratelli</i> | DATE 12/2/71 | DIGITAL EQUIPMENT CORPORATION MAYNARD MASSACHUSETTS | |
| DECIMALS .XXX = .005 .XX = .02 .X = .1 | ENGR <i>[Signature]</i> | DATE 5-31-72 | TITLE DXMOB CONO BUFF./ BUSO BUFF. | |
| ANGLES ±0° 30' | PROL ENG. <i>[Signature]</i> | DATE 5-31-72 | MATERIAL | |
| REMOVE BURRS AND BREAK SHARP CORNERS TO SPACE QUALITY | PRDD. <i>[Signature]</i> | DATE 6-8-72 | NEXT HIGHER ASSY. | |
| | | | A-ML-DX11-B | SIZE CODE NUMBER REV. DBS DX11-B-21 |
| | | | SCALE NONE | |
| | | | SHEET 2 OF 2 | DIST. |

45

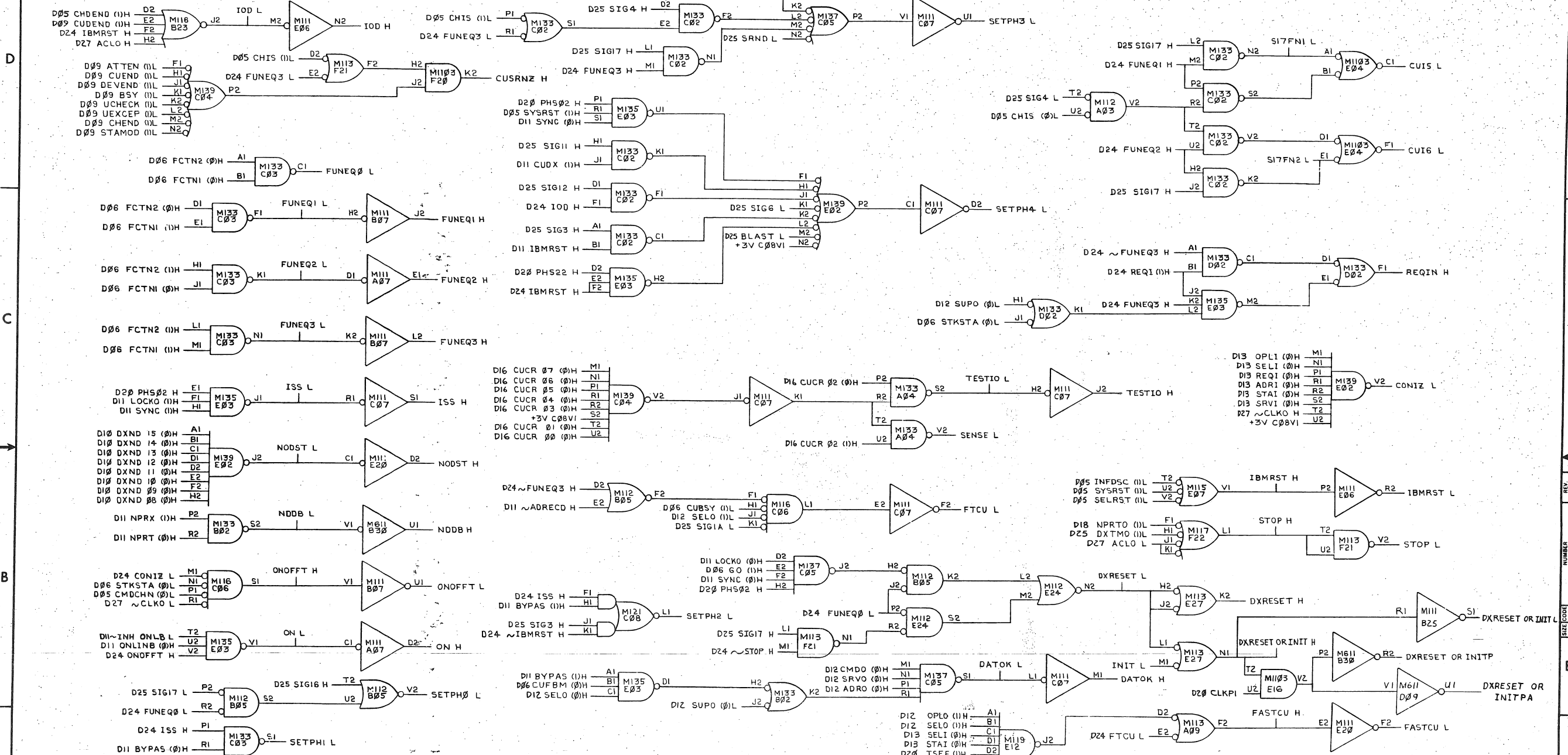
This drawing and specifications, herein, are the property of Digital Equipment Corporation and shall not be reproduced or copied or used in whole or in part as the basis for the manufacture or sale of items without written permission.
1972



| REV. | CHG. NO. | DATE | BY |
|------|----------|----------|-----------|
| A | 0005 | 1-22-72 | R. DIETER |
| B | 0008 | 12-17-72 | R. DIETER |
| C | 0010 | 12-14-72 | R. DIETER |
| | | 6-17-73 | R. DIETER |

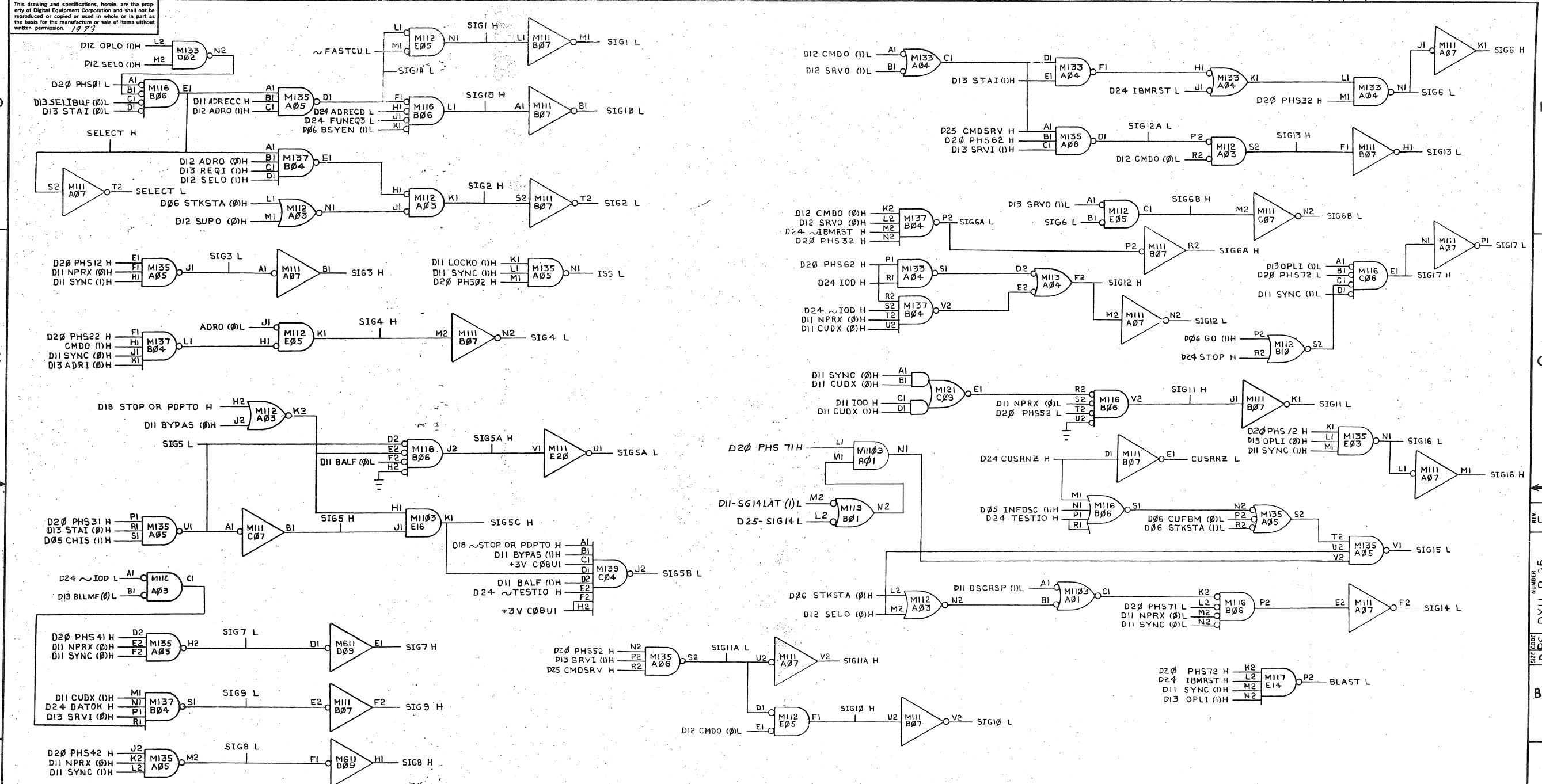
| FIRST USED ON OPTION/MODEL | QTY. | DESCRIPTION | PART NO. | ITEM NO. |
|--|------------|--|----------|----------|
| PDP-11 | | | | |
| PARTS LIST | | | | |
| UNLESS OTHERWISE SPECIFIED DIMENSION IN INCHES. | DRN. DATE | DIGITAL EQUIPMENT CORPORATION MAYNARD MASSACHUSETTS | | |
| TOLERANCES | CHKD. DATE | INDICATOR CONN. | | |
| DECIMALS ANGLES | FIG. DATE | | | |
| .XXX - .005 ±0° 30' | PROL. DATE | TITLE | | |
| .XX - .02 | PROL. DATE | D I C DXII-B-22 | | |
| .X - .1 | PROL. DATE | REV. C | | |
| REMOVE BURRS AND BREAK SHARP CORNERS SURFACE QUALITY | PROD. DATE | SIZE CODE NUMBER | | |
| MATERIAL | | D I C DXII-B-22 | | |
| FINISH | | SCALE NONE | | |
| | | SHEET 1 OF 1 | | |

This drawing and specifications, herein, are the property of Digital Equipment Corporation and shall not be reproduced or copied or used in whole or in part as the basis for the manufacture or sale of items without written permission.



| REV. | CHG. | NO. | BY | DATE |
|------|------|------|-----------|---------|
| A | | 0010 | R. DIETER | 6-14-73 |
| B | | 0015 | R. DIETER | 6-27-73 |
| C | | 0016 | R. DIETER | 6-27-73 |
| D | | 0017 | R. DIETER | 6-27-73 |

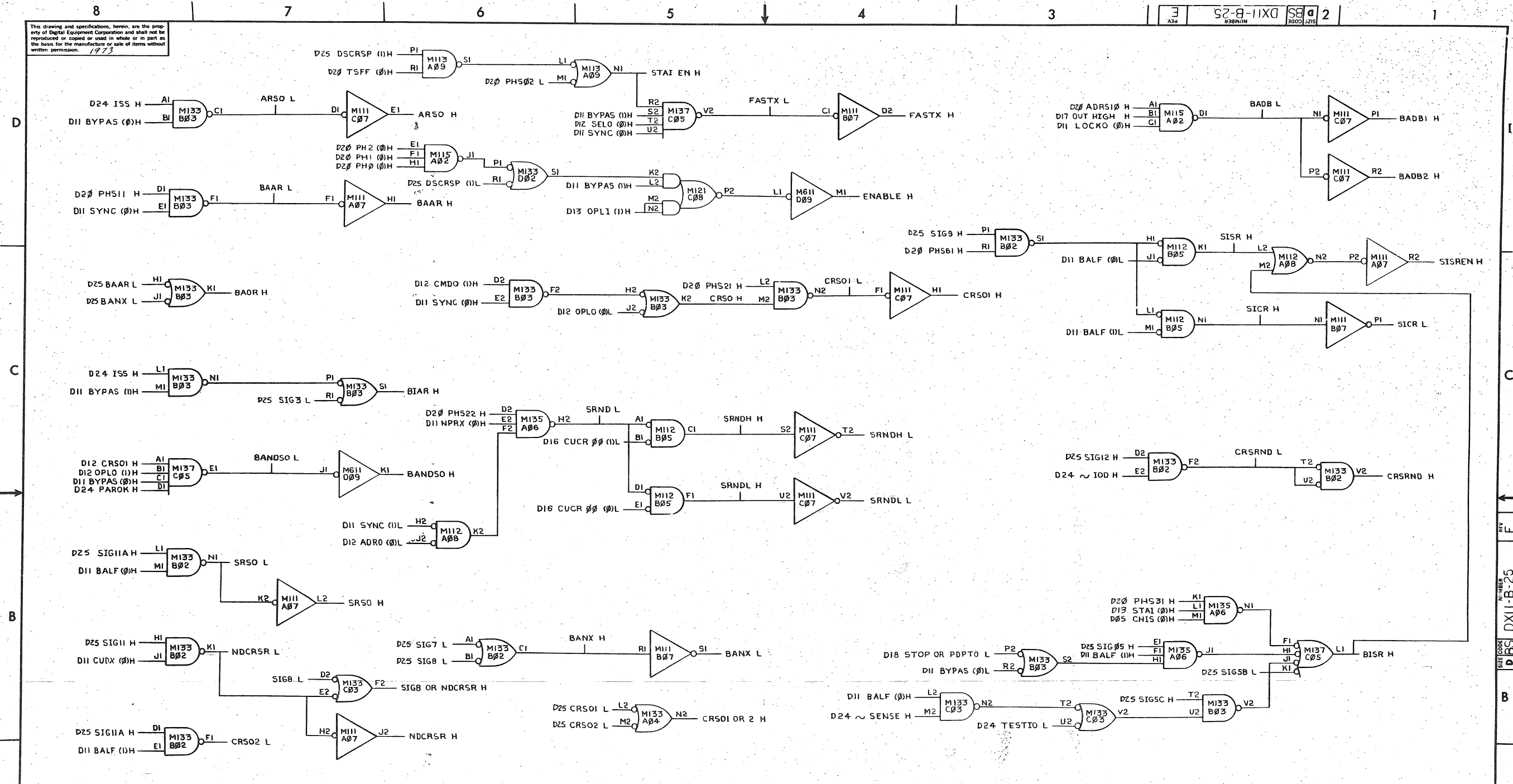
| FIRST USED ON OPTION/MODEL | QTY. | DESCRIPTION | PART NO. | ITEM NO. |
|--|------------|--------------|---|----------|
| PDP-11 PARTS LIST | | | | |
| UNLESS OTHERWISE SPECIFIED DIMENSION IN INCHES. TOLERANCES | DRN. DATE | CHKD. DATE | digital EQUIPMENT CORPORATION MAYNARD, MASSACHUSETTS | |
| DECIMALS ANGLES | ENG. DATE | PROLEN. DATE | TITLE GENERAL CONTROLS | |
| .XX - .006 ±0°30' | 5-3-72 | 5-3-72 | MATERIAL | |
| .X - .1 | 5-3-72 | 5-3-72 | NEXT HIGHER ASSY. | |
| REMOVE BURRS AND BREAK SHARP CORNERS SURFACE QUALITY | PROD. DATE | DATE | B-DD-DX11-B | |
| | 5-3-72 | 5-3-72 | SIZE CODE NUMBER REV. | |
| | | | D/B5 DX11-B-24 B | |
| FINISH | SCALE | NONE | SHEET OF DIST. | |
| | | | 2 OF 1 | |



| REV. | CHG. NO. | DATE | BY |
|------|----------|------------|------------|
| 1 | 0005 | 1-14-73 | R. DIETER |
| 2 | 0010 | 5-14-73 | R. DIETER |
| 3 | 0015 | 4-2-74 | R. DIETER |
| 4 | 0023 | 1-11-74 | R. DIETER |
| 5 | 0025 | 22 JULY 76 | F. ZERESKI |
| 6 | 0025 | 4-14-76 | F. ZERESKI |
| 7 | 0025 | 4-14-76 | F. ZERESKI |
| 8 | 0025 | 4-14-76 | F. ZERESKI |

| FIRST USED ON OPTION/MODEL | QTY. | DESCRIPTION | PART NO. | ITEM NO. |
|--|-------------------|-------------|-----------------------|----------|
| PDP-11 | | | | |
| UNLESS OTHERWISE SPECIFIED DIMENSION IN INCHES. TOLERANCES | | | | |
| DECIMALS | ANGLES | DATE | EQUIPMENT CORPORATION | |
| .XXX - .005 | ± 0° 30' | 11/72 | SIG & GATES | |
| .XX - .02 | | 5-2-72 | | |
| .X - .1 | | 7-31-72 | | |
| REMOVE BURRS AND BREAK SHARP CORNERS SURFACE QUALITY | | | | |
| MATERIAL | NEXT HIGHER ASSY. | SCALE | NUMBER | REV. |
| | B-DD-DX11-B | NONE | D BS DX11-B-25 | E |
| FINISH | SHEET | OF | DIST. | |
| | 1 | 3 | | |

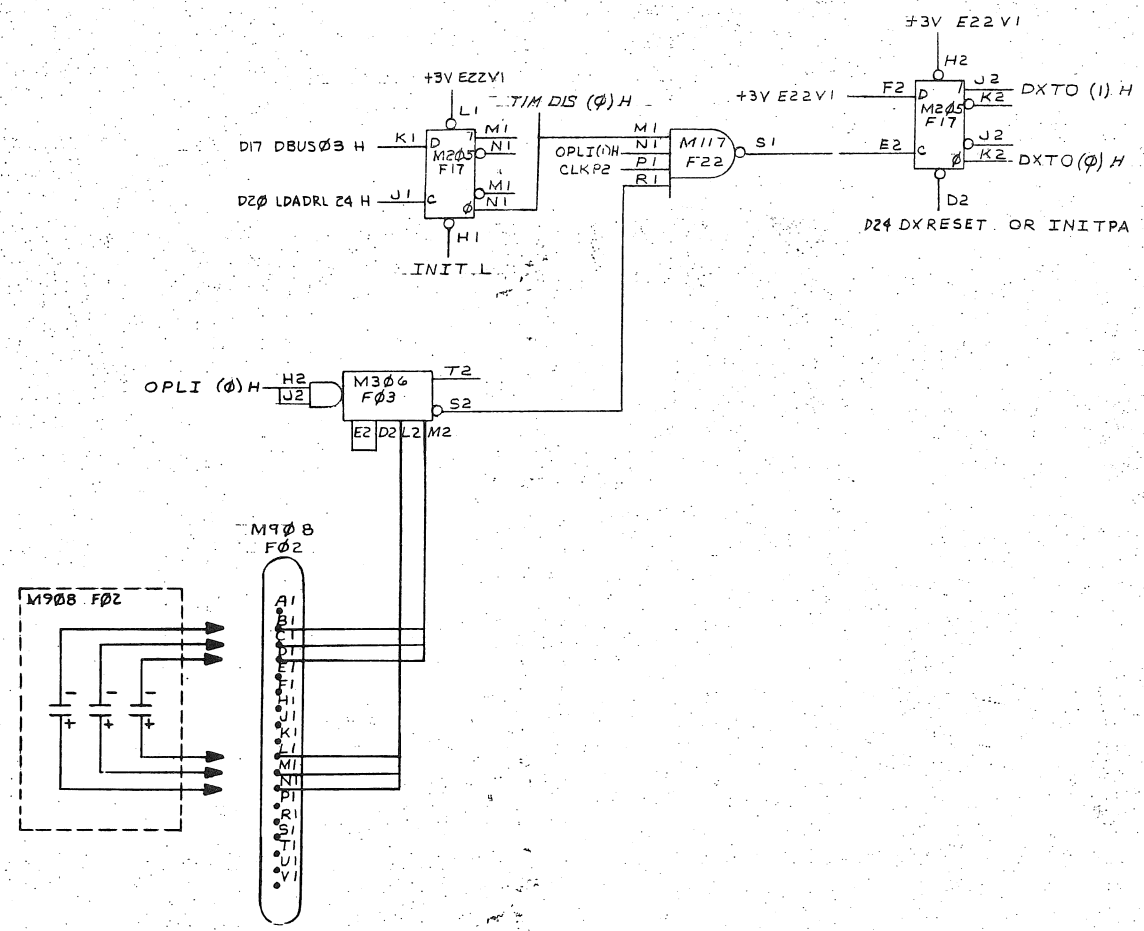
This drawing and specifications, herein, are the property of Digital Equipment Corporation and shall not be reproduced or copied or used in whole or in part as the basis for the manufacture or sale of items without written permission. 1973



| | |
|------------|--|
| REV. | |
| CHANGE NO. | |
| CHK | |

| | | | | |
|--|-------------------|-------------|-------------------------------|----------|
| FIRST USED ON OPTION/MODEL | QTY. | DESCRIPTION | PART NO. | ITEM NO. |
| PDP-11 | | PARTS LIST | | |
| UNLESS OTHERWISE SPECIFIED DIMENSION IN INCHES. | DRN | DATE | DIGITAL EQUIPMENT CORPORATION | |
| TOLERANCES | CHKD | DATE | MAYFORD MASSACHUSETTS | |
| DECIMALS | ENG | DATE | TITLE | |
| ANGLES | PROJ. ENR. | DATE | SIG & GATES | |
| REMOVE BURRS AND BREAK SHARP CORNERS SURFACE QUALITY | PROD. | DATE | | |
| MATERIAL | NEXT HIGHER ASSY. | | | |
| FINISH | B-DD-DXII-B | SIZE CODE | NUMBER | REV. |
| | SCALE NONE | DBS | DXII-B-25 | E |
| | SHEET 2 OF 3 | DIST. | | |

This drawing and specifications, herein, are the property of Digital Equipment Corporation and shall not be reproduced or copied in whole or in part as the basis for the manufacture or sale of items without written permission. 1977



NOTE:
EXTERNAL CAPACITORS
MOUNTED ON MODULE F02.
ALL ARE 180 UF 6V .TANT.

| | |
|-----|----|
| REV | NO |
| CHG | NO |

DEC FORM NO
DSD 102-B

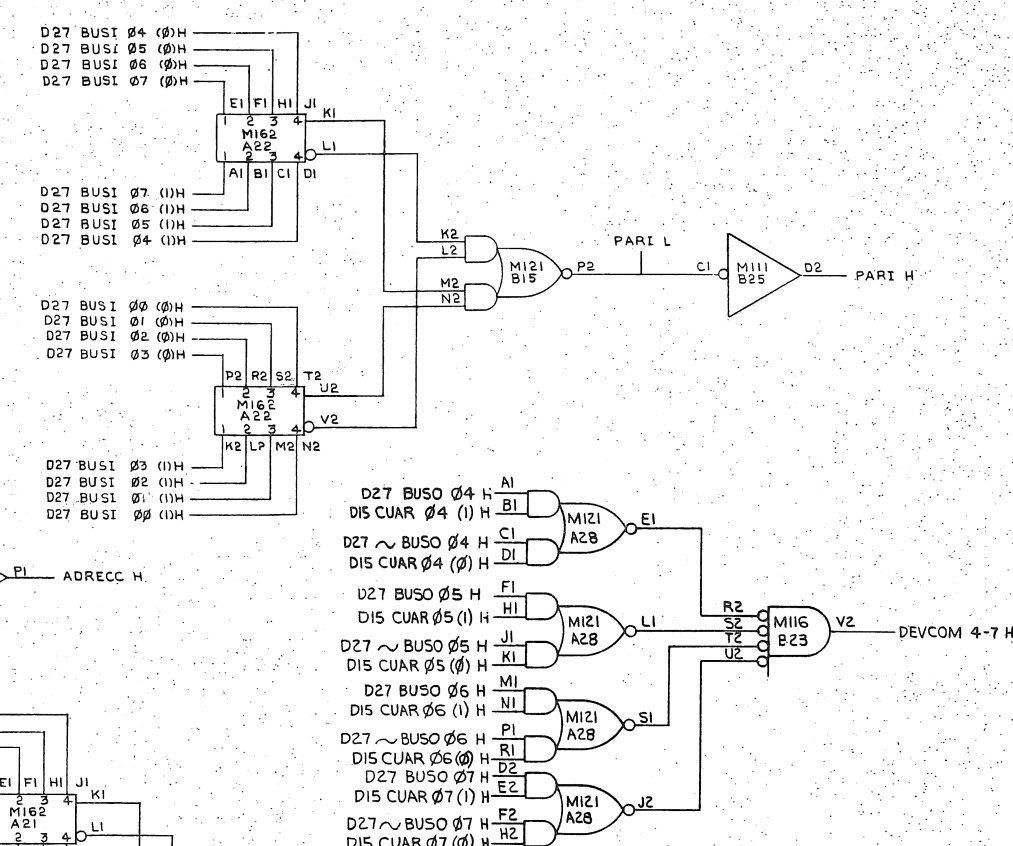
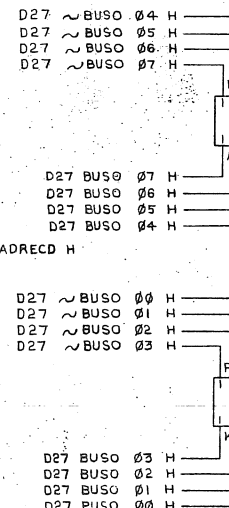
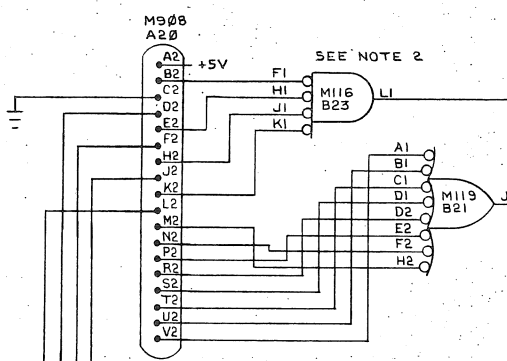
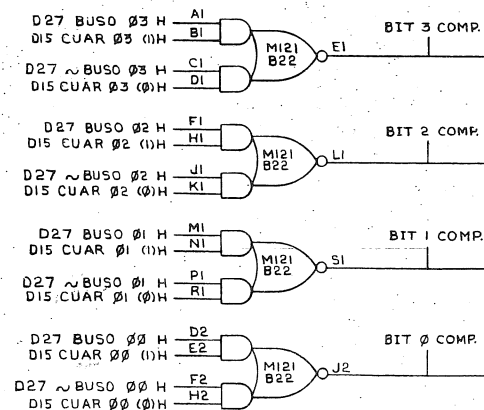
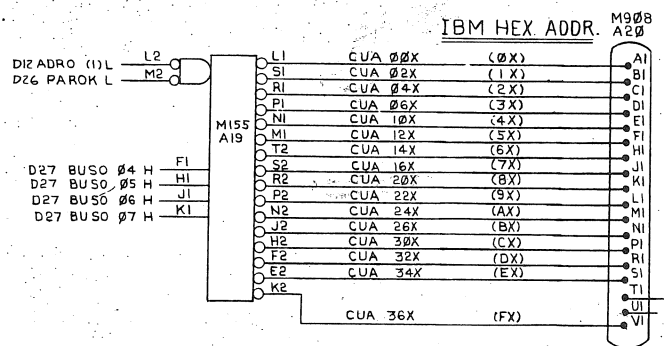
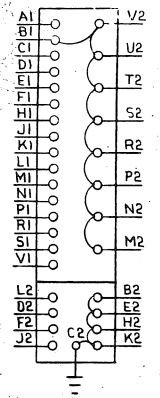
| FIRST USED ON OPTION/MODEL | QTY. | DESCRIPTION | PART NO. | ITEM NO. |
|--|----------------------------------|-----------------|--|-----------|
| PDP-11 | | PARTS LIST | | |
| UNLESS OTHERWISE SPECIFIED DIMENSION IN INCHES. TOLERANCES | DRN <i>E. Wilson</i> | DATE 2-22-72 | digital EQUIPMENT CORPORATION MAYNARD MASSACHUSETTS | |
| DECIMALS | CHK'D <i>[Signature]</i> | DATE 5-17-72 | TITLE SIG & GATES | |
| ANGLES | ENG. <i>[Signature]</i> | DATE 5-17-72 | | |
| .XXX - .005 | PROJ. ENG. <i>[Signature]</i> | DATE 5-17-72 | | |
| .XX - .02 | PROJ. ENG. <i>[Signature]</i> | DATE 5-17-72 | | |
| .X - .1 | PROJ. ENG. <i>[Signature]</i> | DATE 5-17-72 | | |
| REMOVE BURRS AND BREAK SHARP CORNERS SURFACE QUALITY | PROJ. ENG. <i>[Signature]</i> | DATE 6-8-72 | | |
| MATERIAL | NEXT HIGHER ASSY. | | SIZE CODE | NUMBER |
| FINISH | B-DD-DX11-B | | DBS | DX11-B-25 |
| | SCALE | NONE | | REV. E |
| | SHEET | 3 OF 3 | DIST. | |

This drawing and specifications, herein, are the property of Digital Equipment Corporation and shall not be reproduced or copied or used in whole or in part as the basis for the manufacture or sale of items without written permission.

NOTES:

- INSTALL JUMPERS AS REQUIRED FOR CU ADDRESS SPECIFIED AT EACH INSTALLATION. JUMPER UNUSED INPUTS TO LAST USED INPUT.
- TIE UNUSED INPUTS (B2, E2, H2, K2) TO GND.

SEE NOTE 1
SAMPLE JUMPERS SHOWN FOR IBM ADDR. (IX)

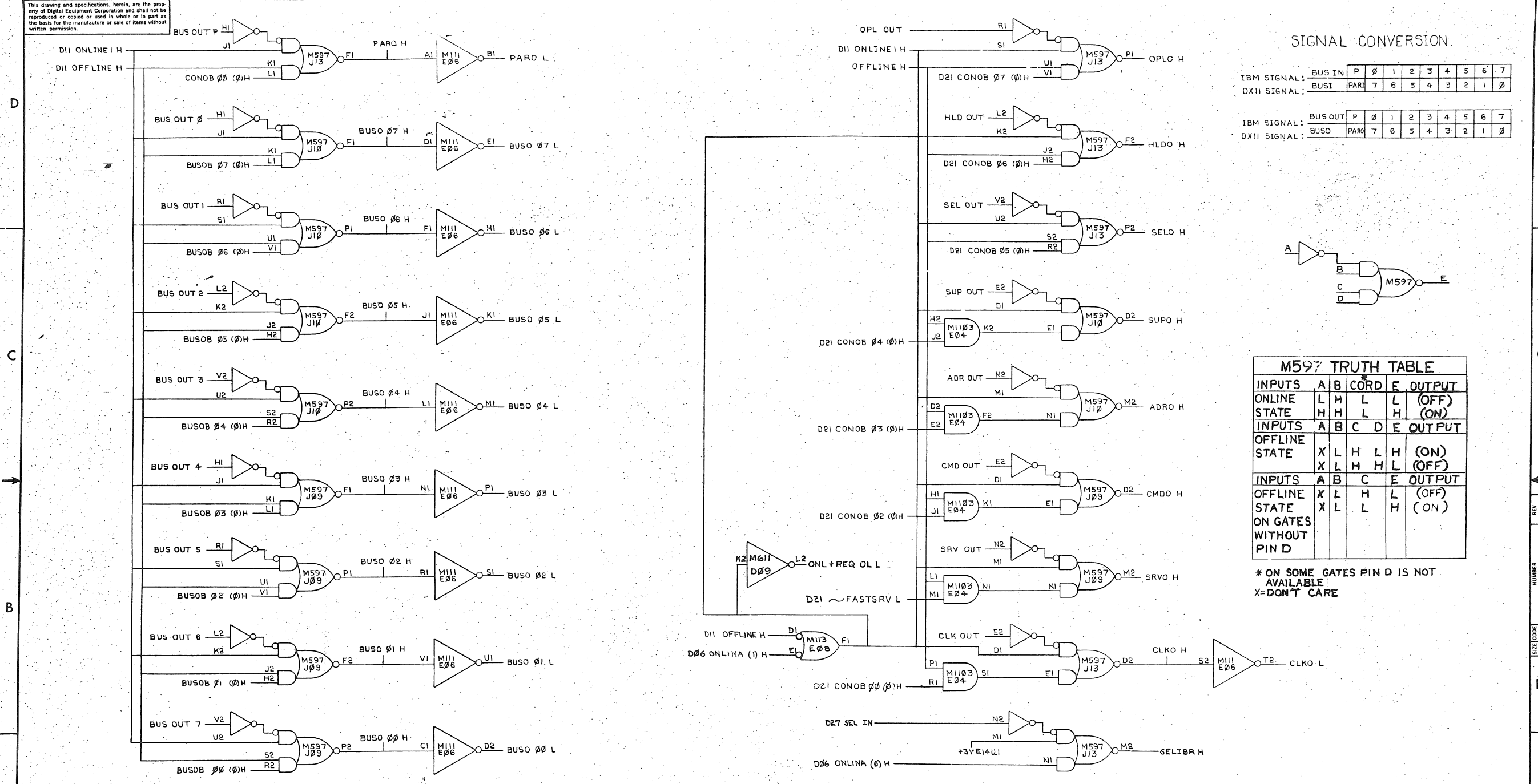


| | |
|------------|---------|
| REV. | 2-6-73 |
| CHANGE NO. | 00009 A |
| CHK | DIETER |

DEC FORM NO. DRD 100-A

| FIRST USED ON OPTION/MODEL | QTY. | DESCRIPTION | PART NO. | ITEM NO. |
|--|---------|------------------|--|----------|
| PDP-11 | | PARTS LIST | | |
| UNLESS OTHERWISE SPECIFIED DIMENSION IN INCHES. TOLERANCES | | DRN. DATE | digital EQUIPMENT CORPORATION MAYNARD MASSACHUSETTS | |
| DECIMALS | ANGLES | CHK'D. DATE | TITLE | |
| XXX = .005 | ±0° 30' | ENG. DATE | PARITY & ADDR. COMPARE | |
| REMOVE BURRS AND BREAK SHARP CORNERS. SURFACE QUALITY | | PROJ. ENG. DATE | MATERIAL | |
| NEXT HIGHER ASSY. | | PROD. DATE | B-DD-DX11-B | |
| SCALE NONE | | SIZE CODE NUMBER | | REV. |
| SHEET OF | | DBS DX11-B-26 | | A |

This drawing and specifications, herein, are the property of Digital Equipment Corporation and shall not be reproduced or copied or used in whole or in part as the basis for the manufacture or sale of items without written permission.



SIGNAL CONVERSION

| | | | | | | | | | | |
|--------------|--------|------|---|---|---|---|---|---|---|---|
| IBM SIGNAL: | BUS IN | P | Ø | 1 | 2 | 3 | 4 | 5 | 6 | 7 |
| DX11 SIGNAL: | BUSI | PARØ | 7 | 6 | 5 | 4 | 3 | 2 | 1 | Ø |

| | | | | | | | | | | |
|--------------|---------|------|---|---|---|---|---|---|---|---|
| IBM SIGNAL: | BUS OUT | P | Ø | 1 | 2 | 3 | 4 | 5 | 6 | 7 |
| DX11 SIGNAL: | BUSO | PARØ | 7 | 6 | 5 | 4 | 3 | 2 | 1 | Ø |

M597 TRUTH TABLE

| INPUTS | | A | B | C | D | E | OUTPUT |
|---------|-------|---|---|---|---|---|--------|
| ONLINE | STATE | L | H | L | L | L | (OFF) |
| ONLINE | STATE | H | H | L | L | H | (ON) |
| OFFLINE | STATE | X | L | H | L | H | (ON) |
| OFFLINE | STATE | X | L | H | H | L | (OFF) |
| ONLINE | STATE | X | L | L | L | L | (OFF) |
| ONLINE | STATE | X | L | L | H | H | (ON) |

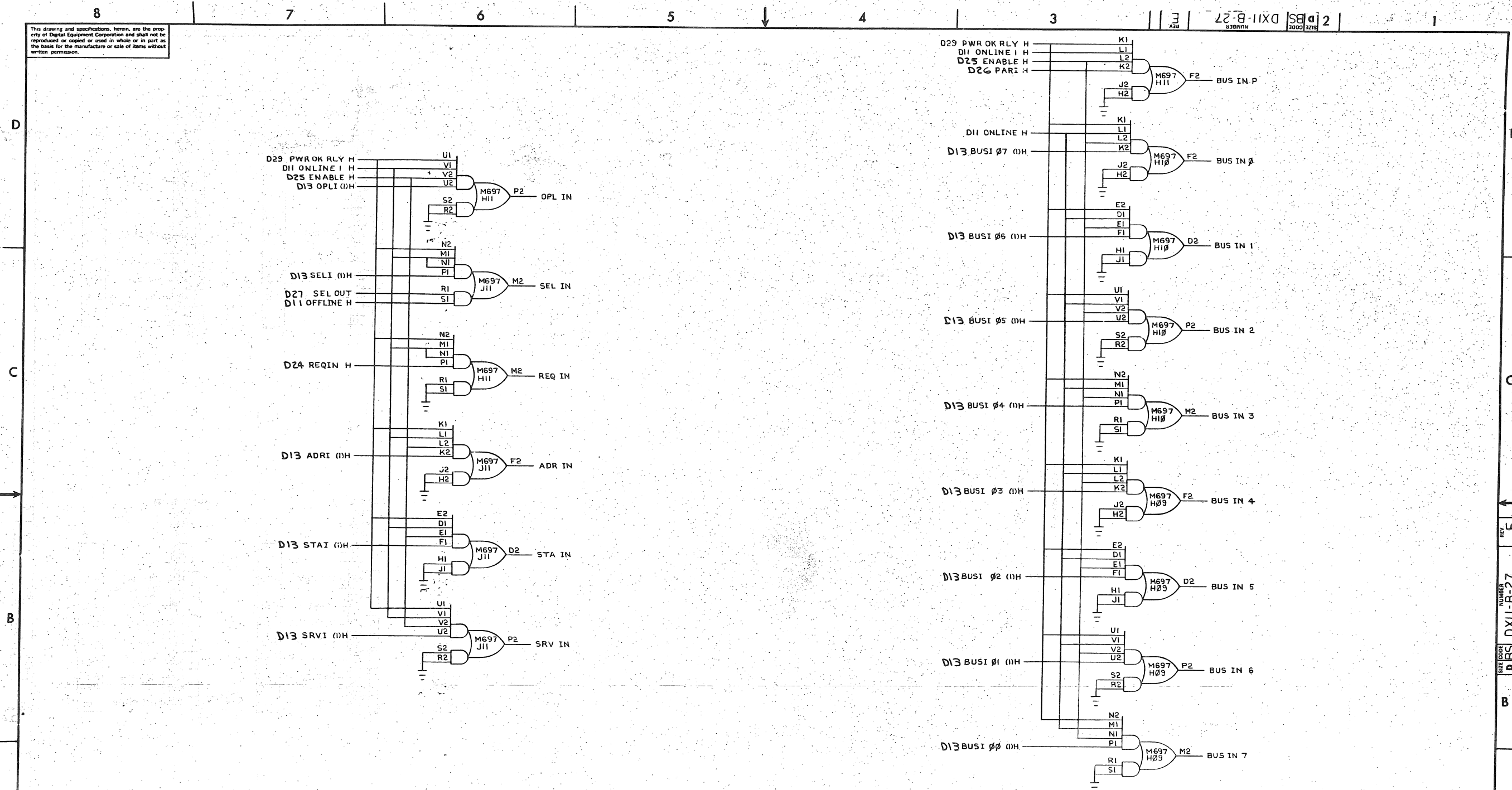
* ON SOME GATES PIN D IS NOT AVAILABLE
X=DON'T CARE

REVISIONS

| CHK | CHANGE NO. | REV. |
|-----|------------|------|
| 17 | DX11B-0005 | A |
| 18 | DX11B-0005 | A |
| 19 | DX11B-0005 | A |
| 20 | DX11B-0005 | A |
| 21 | DX11B-0005 | A |
| 22 | DX11B-0005 | A |
| 23 | DX11B-0005 | A |
| 24 | DX11B-0005 | A |
| 25 | DX11B-0005 | A |
| 26 | DX11B-0005 | A |
| 27 | DX11B-0005 | A |
| 28 | DX11B-0005 | A |
| 29 | DX11B-0005 | A |
| 30 | DX11B-0005 | A |

| FIRST USED ON OPTION/MODEL | QTY. | DESCRIPTION | PART NO. | ITEM NO. |
|--|-------------------|------------------------|---|----------|
| PDP-11 | | | | |
| PARTS LIST | | | | |
| UNLESS OTHERWISE SPECIFIED DIMENSION IN INCHES. TOLERANCES | | DRN. DATE 12/6/72 | digital EQUIPMENT CORPORATION MAYNARD MASSACHUSETTS | |
| DECIMALS .XXX = .005 | ANGLES ±0°30' | CHKD. DATE 12/6/72 | TITLE IBM INTERFACE | |
| REMOVE BURRS AND BREAK SHARP CORNERS SURFACE QUALITY | | PROJ. ENG. DATE 5-1-72 | SIZE CODE D BS | |
| MATERIAL | NEXT HIGHER ASSY. | PROD. DATE 6-5-72 | NUMBER | REV. E |
| FINISH | B-DD-DX11-B | SCALE NONE | DX11-B-27 | |
| | | SHEET 1 OF 6 | DIST. | |

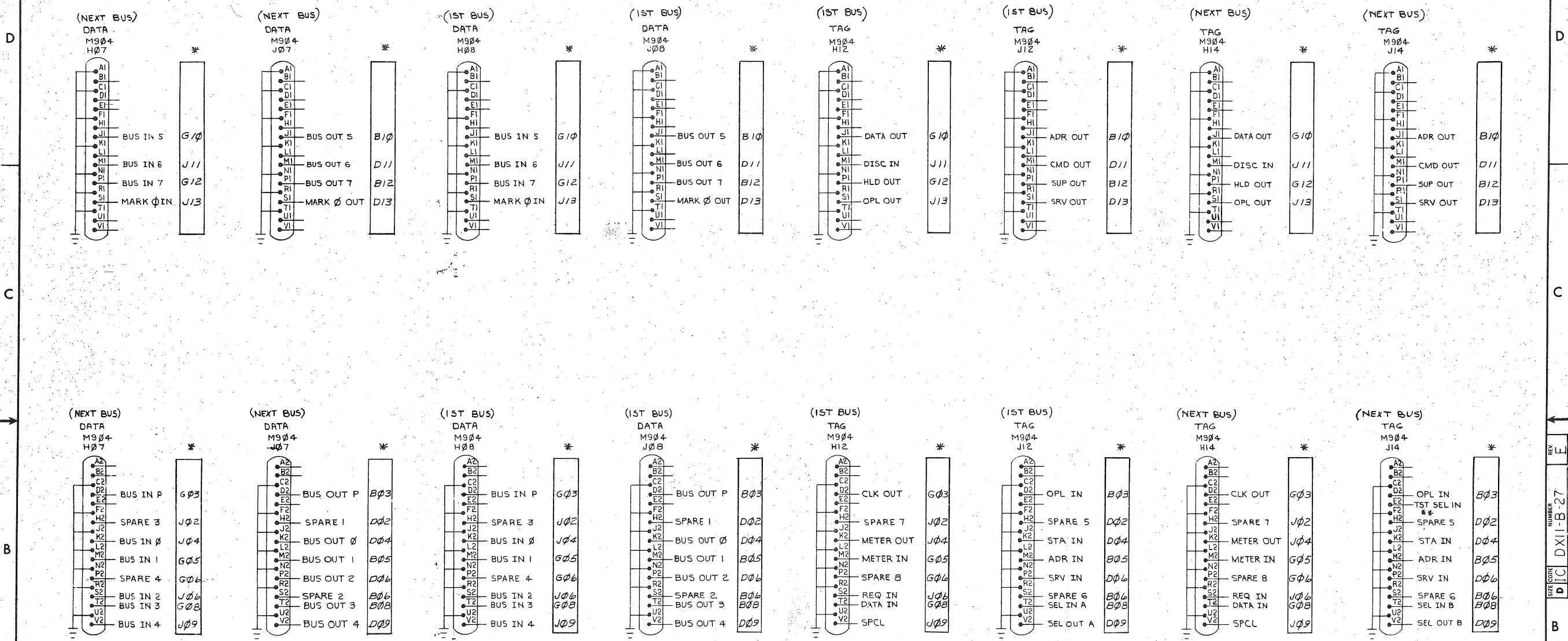
This drawing and specifications, herein, are the property of Digital Equipment Corporation and shall not be reproduced or copied or used in whole or in part as the basis for the manufacture or sale of items without written permission.



| | |
|------------|--|
| REV. | |
| CHANGE NO. | |
| CHK. | |

| FIRST USED ON OPTION/MODEL | QTY. | DESCRIPTION | PART NO. | ITEM NO. |
|--|----------|-------------|---------------|-----------|
| PDP-11 | | | | |
| UNLESS OTHERWISE SPECIFIED DIMENSION IN INCHES. | | | | |
| TOLERANCES | | | | |
| DECIMALS | ANGLES | DATE | | |
| .XX - .005 | ± 0° 30' | DATE | PARTS LIST | |
| .XX - .005 | | DATE | TITLE | |
| .X - .1 | | DATE | IBM INTERFACE | |
| REMOVE BURRS AND BREAK SHARP CORNERS SURFACE QUALITY ✓ | | | | |
| MATERIAL | | | | |
| NEXT HIGHER ASSY. | | | | |
| B-DD-DXII-B | | | SIZE CODE | NUMBER |
| SCALE NONE | | | DBS | DXII-B-27 |
| FINISH | | | REV. | E |
| SHEET 2 OF 6 | | | DIST. | |

This drawing and specifications, herein, are the property of Digital Equipment Corporation and shall not be reproduced or copied or used in whole or in part as the basis for the manufacture or sale of items without written permission.



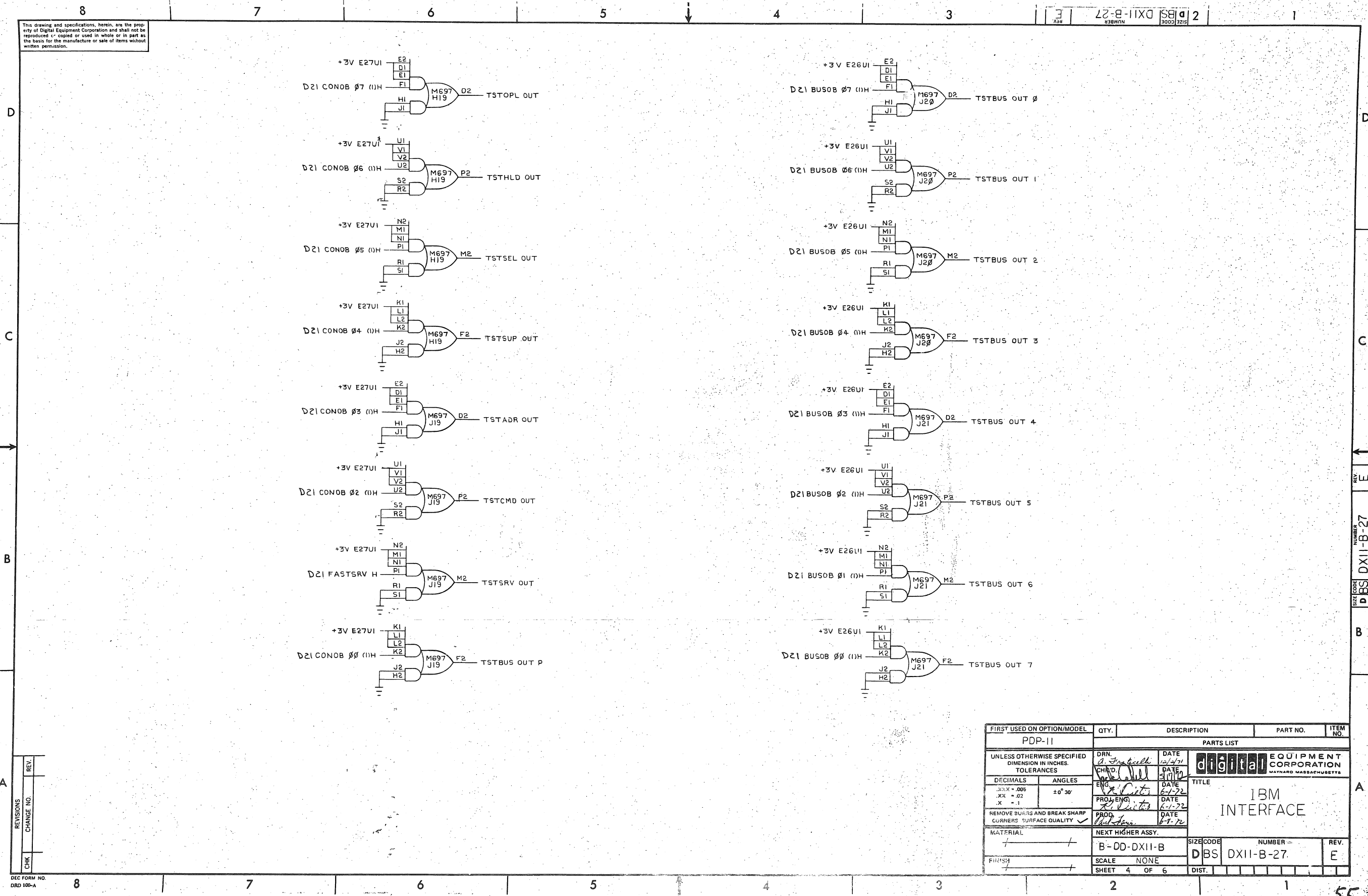
NOTE:
 1) * IBM CONN. PIN NO.
 2) ** USED IN MAINT. MODE ONLY
 ... AND NOT ON IBM CHANNEL.

| | |
|------|--|
| REV. | |
| CHG | |

| | | | | |
|--|-----------------------|--------------------|--|------------------|
| FIRST USED ON OPTION/MODEL | QTY. | DESCRIPTION | PART NO. | ITEM NO. |
| PDP-11 | | PARTS LIST | | |
| UNLESS OTHERWISE SPECIFIED DIMENSION IN INCHES. | DRN. <i>W. G. ...</i> | DATE <i>2/4/72</i> | digital EQUIPMENT CORPORATION MAYF. AND MASSACHUSETTS | |
| TOLERANCES | CHK'D <i>...</i> | DATE <i>5/1/72</i> | TITLE | |
| DECIMALS .XXX - .005 | ANG. <i>...</i> | DATE <i>6-1-72</i> | IBM INTERFACE | |
| .XX - .02 | PROJ. ENG. <i>...</i> | DATE <i>6-1-72</i> | MATERIAL | |
| X - .1 | PROJ. <i>...</i> | DATE <i>6-8-72</i> | NEXT HIGHER ASSY. | |
| REMOVE BURRS AND BREAK SHARP CORNERS SURFACE QUALITY | PROD. <i>...</i> | DATE <i>6-8-72</i> | B-DD-DX11-B | |
| | | | SIZE CODE DIBS | NUMBER DX11-B-27 |
| | | | SCALE NONE | REV. E |
| | | | SHEET 3 OF 6 | DIST. |

54

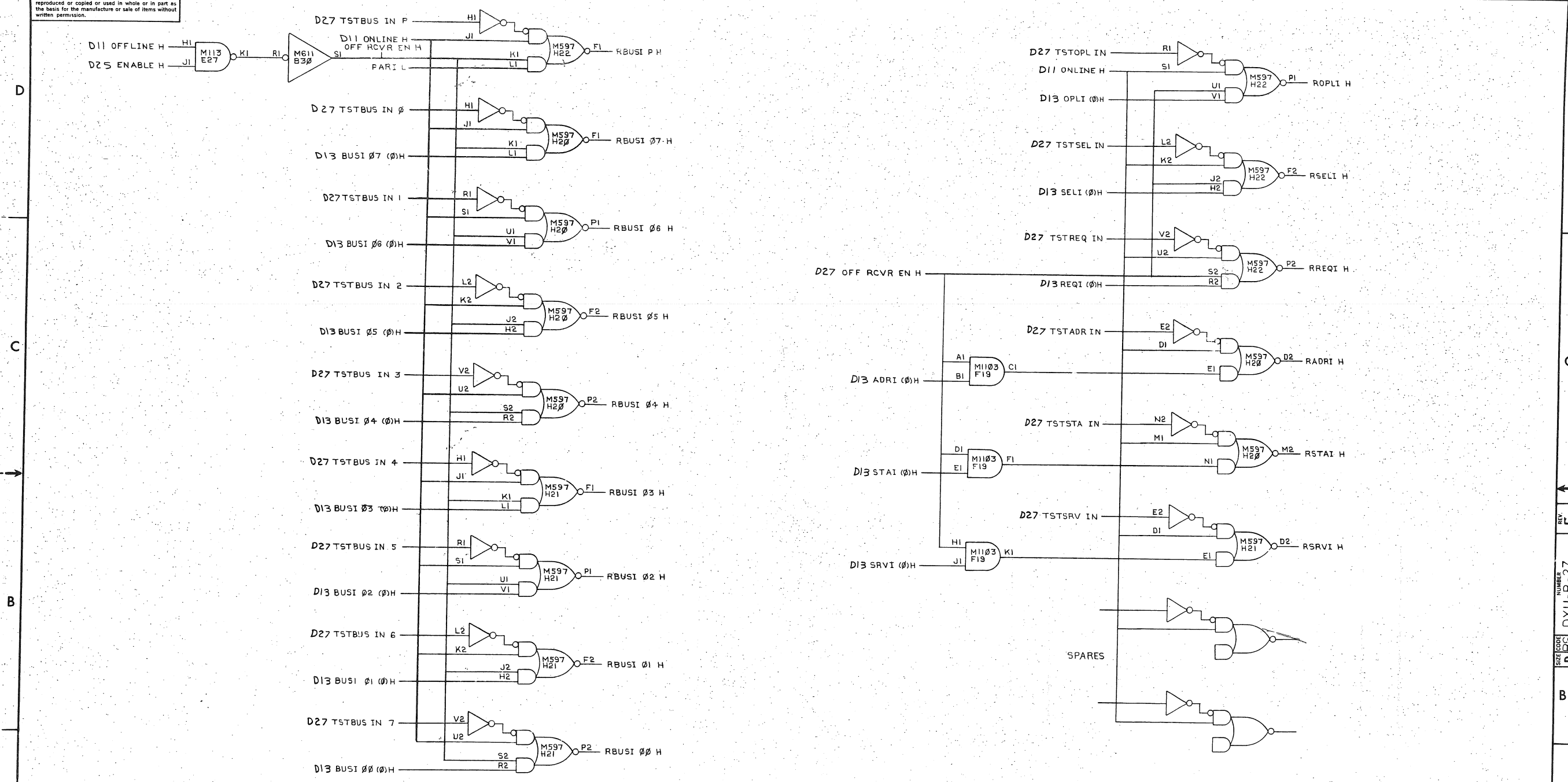
This drawing and specifications, herein, are the property of Digital Equipment Corporation and shall not be reproduced, copied or used in whole or in part as the basis for the manufacture or sale of items without written permission.



| | |
|------|--|
| REV. | |
| CHG. | |
| CHK. | |

| FIRST USED ON OPTION/MODEL | QTY. | DESCRIPTION | PART NO. | ITEM NO. |
|---|----------------------------|--------------|-------------------------------|-----------|
| PDP-11 | | PARTS LIST | | |
| UNLESS OTHERWISE SPECIFIED DIMENSION IN INCHES. | DRN. <i>A. Fratelli</i> | DATE 12/4/71 | IBM INTERFACE | |
| TOLERANCES | CHKD. <i>Bob Hill</i> | DATE 3/1/72 | | |
| DECIMALS | ENG. <i>Bob Hill</i> | DATE 6-1-72 | | |
| ANGLES | PROJ. ENG. <i>Bob Hill</i> | DATE 6-1-72 | | |
| REMOVE BURS AND BREAK SHARP CORNERS SURFACE QUALITY | PROD. <i>Bob Hill</i> | DATE 6-1-72 | TITLE IBM INTERFACE | |
| MATERIAL | NEXT HIGHER ASSY. | | SIZE CODE | NUMBER = |
| FINISH | SCALE NONE | | DBS | DXII-B-27 |
| | SHEET 4 OF 6 | | DIST. | |

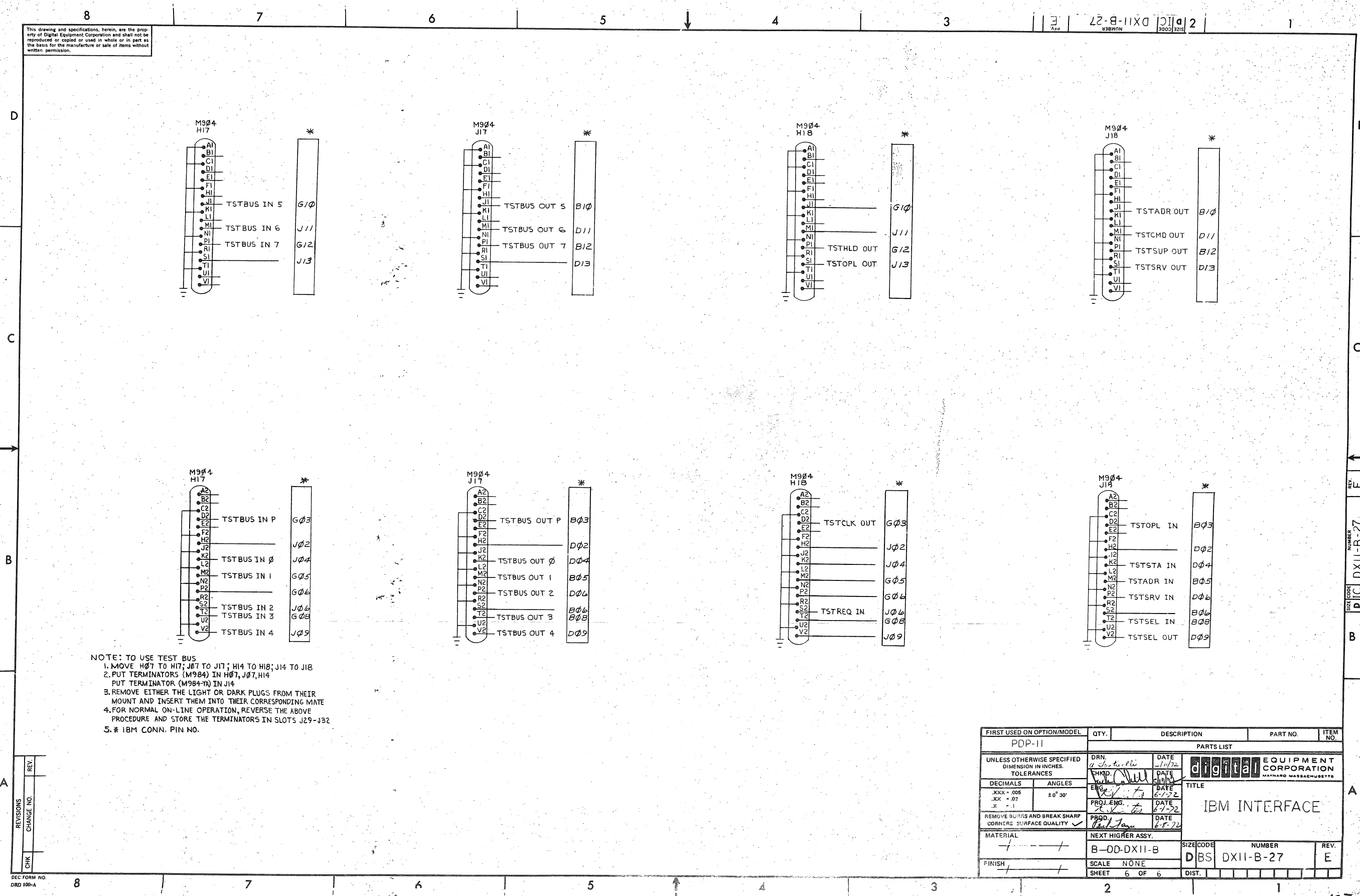
This drawing and specifications, herein, are the property of Digital Equipment Corporation and shall not be reproduced or copied or used in whole or in part as the basis for the manufacture or sale of items without written permission.



| | |
|------------|--|
| REV. | |
| CHANGE NO. | |
| CHK | |

| FIRST USED ON OPTION/MODEL | QTY. | DESCRIPTION | PART NO. | ITEM NO. |
|--|-----------------------------|-----------------|--|------------------|
| PDP-11 | | PARTS LIST | | |
| UNLESS OTHERWISE SPECIFIED DIMENSION IN INCHES. TOLERANCES | DRN <i>A. Smith</i> | DATE 12/3/71 | digital EQUIPMENT CORPORATION MAYNARD MASSACHUSETTS | |
| DECIMALS .XXX = .005 | CHK'D <i>[Signature]</i> | DATE 2/11/72 | TITLE IBM INTERFACE | |
| ANGLES ±0° 30' | ENG. <i>[Signature]</i> | DATE 6-1-72 | PROJECT <i>[Signature]</i> | |
| REMOVE BURRS AND BREAK SHARP CORNERS SURFACE QUALITY | PROB. <i>[Signature]</i> | DATE 6-1-72 | MATERIAL NEXT HIGHER ASSY. | |
| | | | B-DD-DXII-B | SIZE CODE DBS |
| | | | | NUMBER DXII-B-27 |
| | | | | REV. E |
| | | | | SHEET 5 OF 6 |
| | | | | DIST. |

This drawing and specifications, herein, are the property of Digital Equipment Corporation and shall not be reproduced or copied or used in whole or in part as the basis for the manufacture or sale of items without written permission.



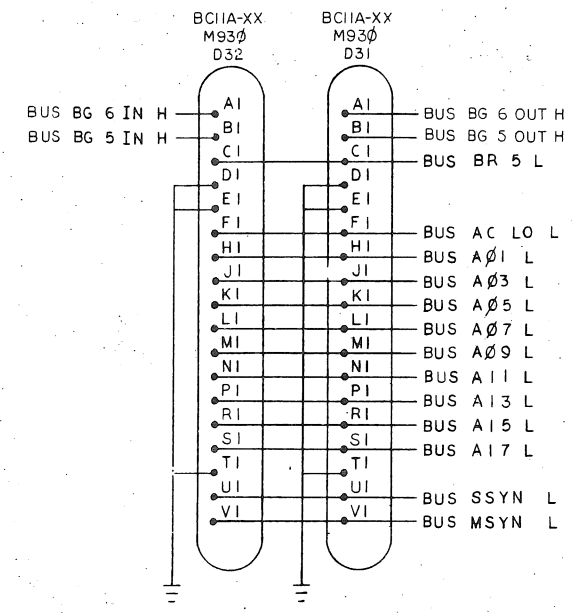
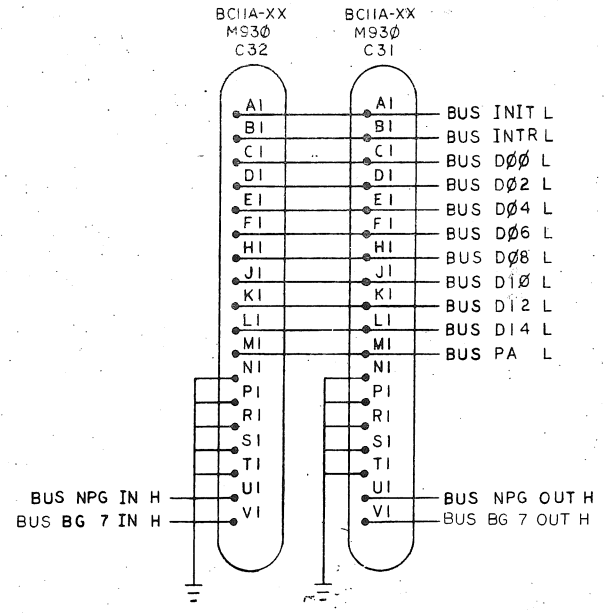
NOTE: TO USE TEST BUS
 1. MOVE H07 TO HI7; J07 TO JI7; HI4 TO HI8; JI4 TO JI8
 2. PUT TERMINATORS (M904) IN H07, J07, HI4
 PUT TERMINATOR (M904-1A) IN JI4
 3. REMOVE EITHER THE LIGHT OR DARK PLUGS FROM THEIR MOUNT AND INSERT THEM INTO THEIR CORRESPONDING MATE
 4. FOR NORMAL ON-LINE OPERATION, REVERSE THE ABOVE PROCEDURE AND STORE THE TERMINATORS IN SLOTS J29-J32
 5. * IBM CONN. PIN NO.

| | |
|------------|--|
| REV. | |
| CHANGE NO. | |
| CHK | |

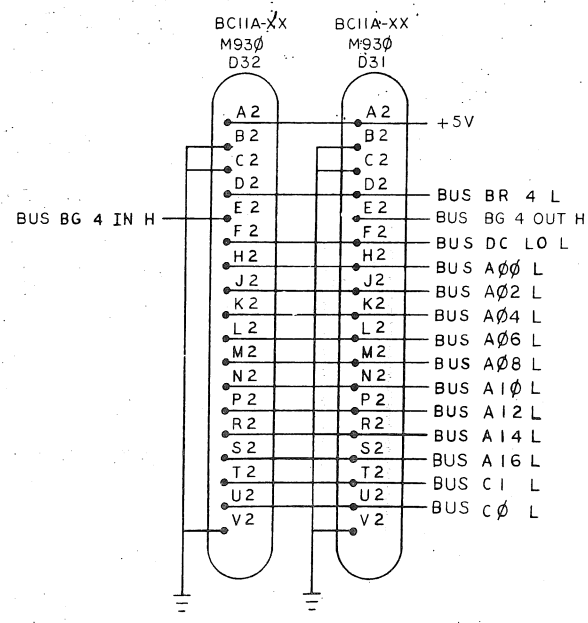
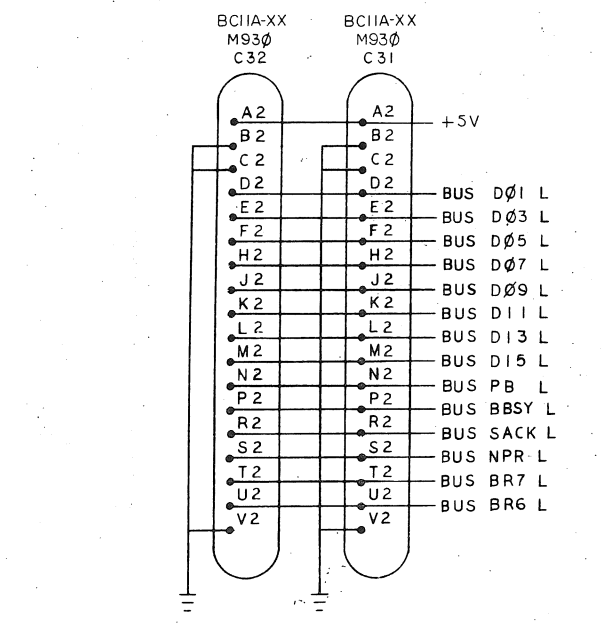
| | | | | |
|---|--|-------------|--|-----------|
| FIRST USED ON OPTION/MODEL | QTY. | DESCRIPTION | PART NO. | ITEM NO. |
| PDP-11 | | PARTS LIST | | |
| UNLESS OTHERWISE SPECIFIED DIMENSION IN INCHES. | DRN | DATE | digital EQUIPMENT CORPORATION MAYNARD, MASSACHUSETTS | |
| TOLERANCES | CHKD. | DATE | | |
| DECIMALS | ENG. | DATE | | |
| ANGLES | PROJ. ENG. | DATE | | |
| XXX = .005 XX = .02 X = .1 | REMOVE BURRS AND BREAK SHARP CORNERS SURFACE QUALITY | DATE | TITLE | |
| | | | IBM INTERFACE | |
| MATERIAL | NEXT HIGHER ASSY. | | SIZE CODE | NUMBER |
| FINISH | B-DD-DX11-B | | DBS | DX11-B-27 |
| | SCALE NONE | | DIST. | |
| | SHEET 6 OF 6 | | | |

This drawing and specifications, herein, are the property of Digital Equipment Corporation and shall not be reproduced or copied or used in whole or in part as the basis for the manufacture or sale of items without written permission.

82-B-11X11-2



NOTES:
THE UNIBUS CONNECTOR IS A DOUBLE HEIGHT MODULE.



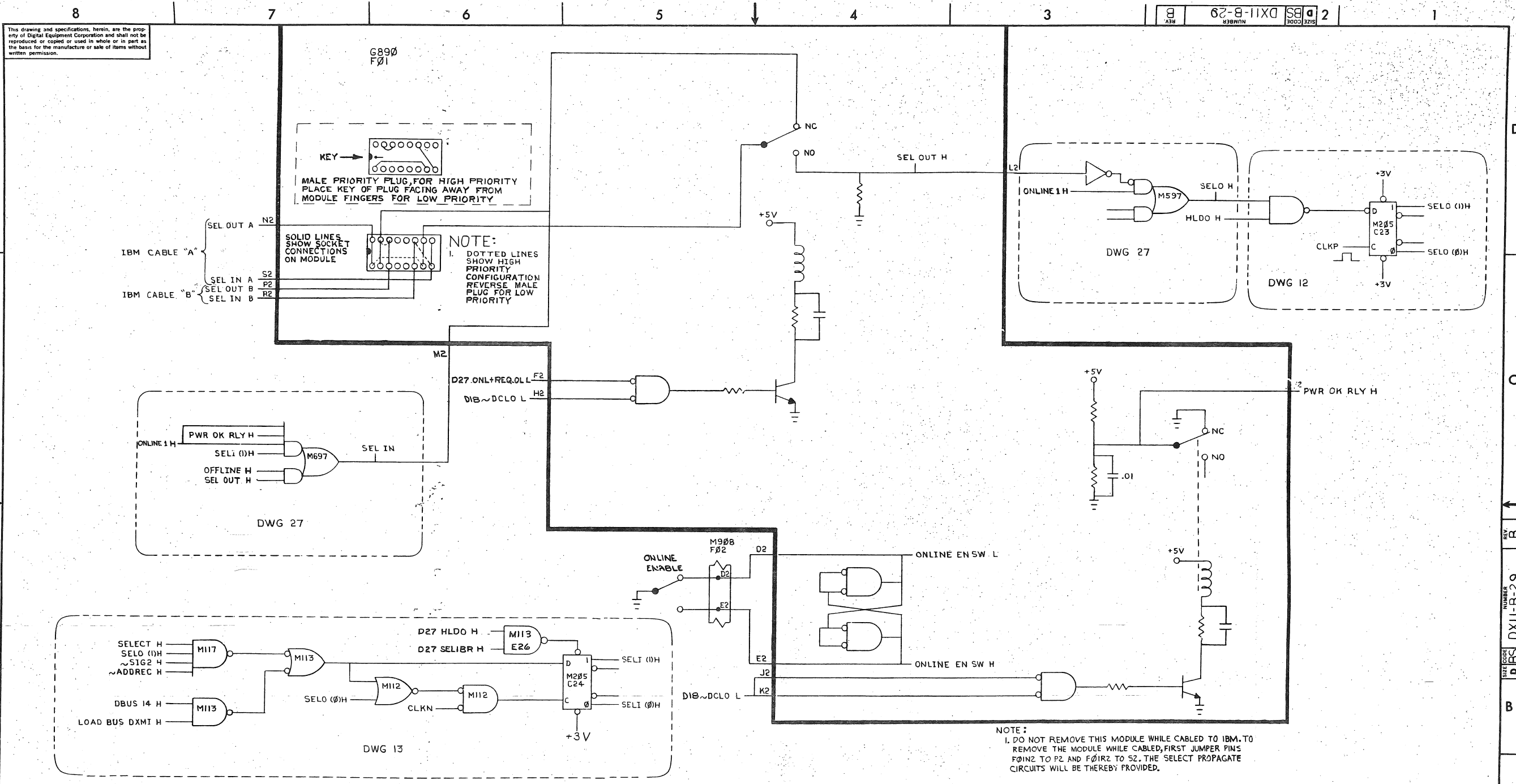
REVISIONS
CHK CHANGE NO

58

| FIRST USED ON | OPTION | MODEL | QTY. | DESCRIPTION | PART NO. | ITEM NO. |
|--------------------------------------|------------------|------------|------|--|----------|----------|
| | | PDP-11 | | | | |
| PARTS LIST | | | | | | |
| UNLESS OTHERWISE SPECIFIED | | DRN. | DATE | digital EQUIPMENT CORPORATION MAYNARD MASSACHUSETTS | | |
| UNLESS OTHERWISE SPECIFIED | | CHK'D | DATE | TITLE | | |
| DIMENSION IN INCHES | | ENG. | DATE | UNIBUS CONNECTORS | | |
| TOLERANCES | | PROJ. ENG. | DATE | SIZE CODE NUMBER | | |
| DECIMALS FRACTIONS ANGLES | | PROD. | DATE | D I C D X I I - B - 2 8 | | |
| ± .006 ± 1/64 ± 0°30' | | | | REV. | | |
| FINAL SURFACE QUALITY | | | | DIST. | | |
| REMOVE BURRS AND BREAK SHARP CORNERS | | | | SHEET OF | | |
| MATERIAL | NEXT HIGHER ASSY | | | | | |
| + / + | A-ML-DXII-B | | | | | |
| FINISH | SCALE NONE | | | | | |
| + / + | SHEET OF | | | | | |

SIZE CODE NUMBER
D I C D X I I - B - 2 8

This drawing and specifications, herein, are the property of Digital Equipment Corporation and shall not be reproduced or copied or used in whole or in part as the basis for the manufacture or sale of items without written permission.



NOTE:
1. DOTTED LINES SHOW HIGH PRIORITY CONFIGURATION REVERSE MALE PLUG FOR LOW PRIORITY

NOTE:
1. DO NOT REMOVE THIS MODULE WHILE CABLED TO IBM. TO REMOVE THE MODULE WHILE CABLED, FIRST JUMPER PINS F01N2 TO P2 AND F01R2 TO S2. THE SELECT PROPAGATE CIRCUITS WILL BE THEREBY PROVIDED.

| REV. | CHANGE NO. | BY | DATE |
|------|------------|------------|---------|
| A | 00015 | A. DIETER | 4-11-74 |
| B | 00019 | F. ZERESKI | 8-1-74 |
| C | 00020 | F. ZERESKI | 8-1-74 |

| FIRST USED ON LPTION/MODEL | QTY. | DESCRIPTION | PART NO. | ITEM NO. |
|--|---------|--|-----------|----------|
| PDP-11 | | | | |
| UNLESS OTHERWISE SPECIFIED DIMENSION IN INCHES. TOLERANCES | | | | |
| DECIMALS | ANGLES | PARTS LIST | | |
| .XXX - .005 | ±0° 30' | digital EQUIPMENT CORPORATION MAYNARD MASSACHUSETTS | | |
| .XX - .02 | | TITLE | | |
| .X - .1 | | SELECT BYPASS & POWER FAIL | | |
| REMOVE BURRS AND BREAK SHARP CORNERS SURFACE QUALITY | | | | |
| MATERIAL | | | | |
| NEXT HIGHER ASSY. | | | | |
| FINISH | | | | |
| SCALE NONE | | SIZE CODE | NUMBER | REV. |
| SHEET OF | | DBS | DX11-B-29 | B |

This drawing and specifications, herein, are the property of Digital Equipment Corporation and shall not be reproduced or copied or used in whole or in part as the basis for the manufacture or sale of items without written permission. 1973

SIZE CODE K WL 2
 NUMBER DXII-B-30
 REV U

| REVISIONS | | CHK | CHANGE NO. | REV. |
|-----------|--------------------------|------|--------------|------|
| 28 | DXII-B-00026 | B.C. | DXII-B-00026 | T |
| 27 | F. ZERESKI | | | |
| 26 | STEVE MITCHELL 14 SEP 77 | | | |
| 25 | R.O. Downing 28 SEP 77 | | | |
| 24 | DXII-B-00027 | | | U |
| 23 | V. BASTIANI | | | |
| 22 | V. Bastian 1 | | | |

| REVISIONS | | CHK | CHANGE NO. | REV. |
|-----------|-------------------------|-----|------------|------|
| 21 | DXII-B-00019 | | | L |
| 20 | F. ZERESKI | | | |
| 19 | 5/75 | | | |
| 18 | DXII-B-00020 | | | M |
| 17 | B. Nowles 5-29-75 | | | |
| 16 | F. ZERESKI | | | |
| 15 | John Zelinski 6-2-75 | | | |
| 14 | DXII-B-00021 | | | N |
| 13 | J. Charter 11-5-75 | | | |
| 12 | F. ZERESKI | | | |
| 11 | DXII-B-00023 | | | P |
| 10 | F. ZERESKI | | | |
| 9 | F. ZERESKI 2 JULY 76 | | | |
| 8 | DXII-B-00024 | | | R |
| 7 | F. ZERESKI 15 NOV 76 | | | |
| 6 | F. ZERESKI | | | |
| 5 | G.D. Zilinski 24 APR 76 | | | |
| 4 | KIT DXII-B-00025 | | | S |
| 3 | F. ZERESKI 24 FEB 77 | | | |
| 2 | F. ZERESKI | | | |
| 1 | R. Dieter 4 APR 77 | | | |

| CHK | CHANGE NO. | REV. | DIETER |
|-----|--------------|------|--------|
| 28 | DXII-B-00001 | A | |
| 27 | 5-11-72 | | |
| 26 | 5-12-72 | | |
| 25 | DXII-B-00003 | B | |
| 24 | 5-22-72 | | |
| 23 | DIETER | | |
| 22 | 5-25-72 | | |
| 21 | DXII-B-00006 | C | |
| 20 | 9-8-72 | | |
| 19 | R. DIETER | | |
| 18 | 9-11-72 | | |
| 17 | DXII-B-00009 | D | |
| 16 | 5-18-73 | | |
| 15 | DIETER | | |
| 14 | 2-6-73 | | |
| 13 | DXII-B-00010 | E | |
| 12 | 6-7-73 | | |
| 11 | R. DIETER | | |
| 10 | 6-14-73 | | |
| 9 | DXII-B-00012 | F | |
| 8 | 10-5-73 | | |
| 7 | DIETER | | |
| 6 | 10-9-73 | | |
| 5 | DXII-B-00014 | H | |
| 4 | 1-29-74 | | |
| 3 | R. DIETER | | |
| 2 | 2-7-74 | | |
| 1 | DXII-B-00015 | J | |
| | 4-2-74 | | |
| | R. DIETER | | |
| | 11-11-74 | | |
| | DXII-B-00016 | K | |
| | 7-3-74 | | |
| | R. DIETER | | |
| | 7-18-74 | | |

| FIRST USED ON OPTION MODEL | | QTY. | DESCRIPTION | PART NO. | ITEM NO. |
|----------------------------|---------------|--|-------------|----------|----------|
| DXII-B | | | | | |
| PARTS LIST | | | | | |
| DRN. | A. FRATICELLI | SR. | DATE | 1/5/72 | |
| CHK'D. | [Signature] | | DATE | 6-10-72 | |
| ENG. | [Signature] | | DATE | 7-7-72 | |
| PROJ. ENG. | [Signature] | | DATE | 4-7-72 | |
| PROD. | [Signature] | | DATE | 4-11-72 | |
| NEXT HIGHER ASSEMBLY | | D-AD-7008719-0-0 | | | |
| SCALE NONE | | SIZE CODE K WL NUMBER DXII-B-30 REV. U | | | |
| SHEET 1 OF 1 | | DIST. | | | |

DIGITAL EQUIPMENT CORPORATION
 MAYNARD, MASSACHUSETTS

TITLE
WIRE LIST
 (IBM INTERFACE SYSTEM)

DX11B,U
RUN NAME

WRAPD .V35(102)-1 03-JUN-77

15-Nov-77

15:48 PAGE 1
NC LENGTH EXCEPTIONS
FLAG

RUN
NUMBER

| A/P | PIN | ORDER | BAY - | Q | DRAW | RV | RG | Y | X | Z | REMARKS | NC | LENGTH | EXCEPTIONS | RUN | |
|-----|-------|-------|-------|---|------|----|----|---|---|---|---------|------|--------|------------|-----|--------|
| | NAME | PIN | ORDER | | OPT | | | | | | | FLAG | | | | NUMBER |
| +3V | A25U1 | A23D1 | 1-01 | * | D14 | | | | | 2 | | N | 1-3/8 | | | 1 |
| +3V | A25U1 | A23M1 | 1-02 | * | D14 | | | | | 1 | | N | 1-3/8 | | | 1 |
| +3V | A25U1 | A23U2 | 1-03 | * | D14 | | | | | 2 | | N | 1-2/8 | | | 1 |
| +3V | A25U1 | A25U1 | 1-04 | * | D08 | | | | | 1 | | N | 4-3/8 | | | 1 |
| +3V | A25U1 | B27U2 | 1-05 | * | D08 | | | | | 2 | | N | 3-4/8 | | | 1 |
| +3V | A25U1 | B32A1 | 1-06 | * | D17 | | | | | | | | | | | 1 |
| | | | 1 | | | | | | | | | | | | | 1 |
| | | | | | | | | | | | | | | 11-7/8 | | 1 |
| +3V | B10U1 | A17K2 | 1-01 | * | D15 | | | | | 2 | | N | 1 | | | 2 |
| +3V | B10U1 | A16K2 | 1-02 | * | D15 | | | | | 1 | | N | 1 | | | 2 |
| +3V | B10U1 | A15K2 | 1-03 | * | D15 | | | | | 2 | | N | 1 | | | 2 |
| +3V | B10U1 | A14K2 | 1-04 | * | D15 | | | | | 1 | | N | 1 | | | 2 |
| +3V | B10U1 | A13K2 | 1-05 | * | D15 | | | | | 2 | | N | 1 | | | 2 |
| +3V | B10U1 | A12K2 | 1-06 | * | D15 | | | | | 1 | | N | 1 | | | 2 |
| +3V | B10U1 | A11K2 | 1-07 | * | D15 | | | | | 2 | | N | 1 | | | 2 |
| +3V | B10U1 | A10K2 | 1-08 | * | D15 | | | | | 1 | | N | 4-3/8 | | | 2 |
| +3V | B10U1 | B10U1 | 1-09 | * | D15 | | | | | | | | | | | 2 |
| | | | 1 | | | | | | | | | | | | | 2 |
| | | | | | | | | | | | | | | 11-3/8 | | 2 |
| +3V | B16U1 | B16U1 | 1-01 | * | D20 | | | | | 2 | | N | 3-2/8 | | | 3 |
| +3V | B16U1 | C20P1 | 1-02 | * | D20 | | | | | 1 | | N | 1-5/8 | | | 3 |
| +3V | B16U1 | C21T2 | 1-03 | * | D20 | | | | | 2 | | N | 8-3/8 | | | 3 |
| +3V | B16U1 | B32T2 | 1-04 | * | D20 | | | | | 1 | | N | 0-5/8 | | | 3 |
| +3V | B16U1 | B32P2 | 1-05 | * | D20 | | | | | 2 | | N | 0-4/8 | | | 3 |
| +3V | B16U1 | B32P1 | 1-06 | * | D20 | | | | | | | | | | | 3 |
| | | | 1 | | | | | | | | | | | | | 3 |
| | | | | | | | | | | | | | | 14-3/8 | | 3 |
| +3V | B18U1 | A10D1 | 1-01 | * | D21 | | | | | 1 | | N | 1 | | | 4 |
| +3V | B18U1 | A11D1 | 1-02 | * | D21 | | | | | 2 | | N | 1 | | | 4 |
| +3V | B18U1 | A12D1 | 1-03 | * | D21 | | | | | 1 | | N | 1 | | | 4 |
| +3V | B18U1 | A13D1 | 1-04 | * | D21 | | | | | 2 | | N | 1 | | | 4 |
| +3V | B18U1 | A14D1 | 1-05 | * | D21 | | | | | 1 | | N | 1 | | | 4 |
| +3V | B18U1 | A15D1 | 1-06 | * | D21 | | | | | 2 | | N | 1 | | | 4 |
| +3V | B18U1 | A16D1 | 1-07 | * | D21 | | | | | 1 | | N | 5-5/8 | | | 4 |
| +3V | B18U1 | B18U1 | 1-08 | * | D21 | | | | | | | | | | | 4 |
| | | | 1 | | | | | | | | | | | | | 4 |
| | | | | | | | | | | | | | | 11-5/8 | | 4 |
| +3V | B18V1 | A10K1 | 1-01 | * | D21 | | | | | 2 | | N | 1 | | | 5 |
| +3V | B18V1 | A11K1 | 1-02 | * | D21 | | | | | 1 | | N | 1 | | | 5 |
| +3V | B18V1 | A12K1 | 1-03 | * | D21 | | | | | 2 | | N | 1 | | | 5 |
| +3V | B18V1 | A13K1 | 1-04 | * | D21 | | | | | 1 | | N | 1 | | | 5 |
| +3V | B18V1 | A14K1 | 1-05 | * | D21 | | | | | 2 | | N | 1 | | | 5 |
| +3V | B18V1 | A15K1 | 1-06 | * | D21 | | | | | 1 | | N | 1 | | | 5 |
| +3V | B18V1 | A16K1 | 1-07 | * | D21 | | | | | 2 | | N | 1 | | | 5 |
| +3V | B18V1 | A17K1 | 1-08 | * | D21 | | | | | 1 | | N | 4-7/8 | | | 5 |
| +3V | B18V1 | B18V1 | 1-09 | * | D21 | | | | | 2 | | N | 2-1/8 | | | 5 |
| +3V | B18V1 | C18L2 | 1-10 | * | | | | | | | | | | | | 5 |
| | | | 1 | | | | | | | | | | | | | 5 |
| | | | | | | | | | | | | | | 14-0/8 | | 5 |

| DX118 U RUN NAME | WRAPD *V35(102)=1 A/P PIN ORDER PIN NAME | 03-JUN-77 DAY - G ORDER | 15-NOV-77 REMARKS | 15148 NC LENGTH EXCEPTIONS FLAG | PAGE 2 | RUN NUMBER |
|---------------------|---|----------------------------|----------------------|---------------------------------------|--------|---------------|
| +3V B1901 | B09U2 | 1-01 * | D10 | N | 1-3/8 | 6 |
| +3V B1901 | B09L1 | 1-02 * | D10 | N | 0-4/8 | 6 |
| +3V B1901 | B09J1 | 1-03 * | D10 | N | 1-2/8 | 6 |
| +3V B1901 | B09B1 | 1-04 * | D10 | N | 4-3/8 | 6 |
| +3V B1901 | A14F2 | 1-05 * | D10 | N | 1 | 6 |
| +3V B1901 | A15F2 | 1-06 * | D10 | N | 1 | 6 |
| +3V B1901 | A16F2 | 1-07 * | D10 | N | 1 | 6 |
| +3V B1901 | A17F2 | 1-08 * | D10 | N | 1-2/8 | 6 |
| +3V B1901 | A17N2 | 1-09 * | D10 | N | 1 | 6 |
| +3V B1901 | A16N2 | 1-10 * | D10 | N | 1 | 6 |
| +3V B1901 | A15N2 | 1-11 * | D10 | N | 1 | 6 |
| +3V B1901 | A14N2 | 1-12 * | D10 | N | 2-1/8 | 6 |
| +3V B1901 | B14B1 | 1-13 * | D10 | N | 1-2/8 | 6 |
| +3V B1901 | B14J1 | 1-14 * | D10 | N | 0-4/8 | 6 |
| +3V B1901 | B14L1 | 1-15 * | D10 | N | 1-3/8 | 6 |
| +3V B1901 | B14U2 | 1-16 * | D10 | N | 2-6/8 | 6 |
| +3V B1901 | B19U1 | 1-17 * | D10 | N | 22-6/8 | 6 |
| +3V B19V1 | B08U2 | 1-01 * | D10 | N | 1-3/8 | 7 |
| +3V B19V1 | B08L1 | 1-02 * | D10 | N | 0-4/8 | 7 |
| +3V B19V1 | B08J1 | 1-03 * | D10 | N | 1-2/8 | 7 |
| +3V B19V1 | B08B1 | 1-04 * | D10 | N | 2-4/8 | 7 |
| +3V B19V1 | A10N2 | 1-05 * | D10 | N | 1 | 7 |
| +3V B19V1 | A11N2 | 1-06 * | D10 | N | 1-3/8 | 7 |
| +3V B19V1 | A10F2 | 1-07 * | D10 | N | 1 | 7 |
| +3V B19V1 | A11F2 | 1-08 * | D10 | N | 1 | 7 |
| +3V B19V1 | A12F2 | 1-09 * | D10 | N | 1-2/8 | 7 |
| +3V B19V1 | A13N2 | 1-10 * | D10 | N | 1 | 7 |
| +3V B19V1 | A12N2 | 1-11 * | D10 | N | 1 | 7 |
| +3V B19V1 | B13R1 | 1-12 * | D10 | N | 2-1/8 | 7 |
| +3V B19V1 | B13J1 | 1-13 * | D10 | N | 1-2/8 | 7 |
| +3V B19V1 | B13L1 | 1-14 * | D10 | N | 0-4/8 | 7 |
| +3V B19V1 | B13U2 | 1-15 * | D10 | N | 1-3/8 | 7 |
| +3V B19V1 | B19V1 | 1-16 * | D10 | N | 3-3/8 | 7 |
| +3V B19V1 | B19V1 | 1-17 * | D10 | N | 21-7/8 | 7 |
| +3V B21U1 | B21L2 | 1-01 * | D13 | N | 0-1/8 | 8 |
| +3V B21U1 | B21M2 | 1-02 * | D13 | N | 2-1/8 | 8 |
| +3V B21U1 | B21N2 | 1-03 * | D13 | N | 1-2/8 | 8 |
| +3V B21U1 | B21U1 | 1-04 * | D13 | N | 2-5/8 | 8 |
| +3V B21U1 | C10P2 | 1-05 * | D13 | N | 1-4/8 | 8 |
| +3V B21U1 | C10P2 | 1-06 * | D13 | N | 1 | 8 |
| +3V B21U1 | C19P2 | 1-07 * | D13 | N | 1-4/8 | 8 |
| +3V B21U1 | C21P2 | 1-08 * | D13 | N | 1 | 8 |
| +3V B21U1 | C22P2 | 1-09 * | D13 | N | 1 | 8 |
| +3V B21U1 | C23P2 | 1-10 * | D13 | N | 1-2/8 | 8 |
| +3V B21U1 | C24L2 | 1-11 * | D13 | N | 0-5/8 | 8 |
| +3V B21U1 | C28P2 | 1-12 * | D13 | N | 12-0/8 | 8 |

| DX118 U RUN NAME | WRAPD *V35(102)=1 A/P PIN ORDER PIN NAME | 03-JUN-77 DAY - G ORDER | 15-NOV-77 REMARKS | 15149 NC LENGTH EXCEPTIONS FLAG | PAGE 3 | RUN NUMBER |
|---------------------|---|----------------------------|----------------------|---------------------------------------|--------|---------------|
| +3V B21V1 | C10P2 | 1-01 * | D13 | N | 0-5/8 | 9 |
| +3V B21V1 | C10L2 | 1-02 * | D13 | N | 0-5/8 | 9 |
| +3V B21V1 | C11P2 | 1-03 * | D13 | N | 0-5/8 | 9 |
| +3V B21V1 | C11L2 | 1-04 * | D13 | N | 0-5/8 | 9 |
| +3V B21V1 | C12P2 | 1-05 * | D13 | N | 0-5/8 | 9 |
| +3V B21V1 | C12L2 | 1-06 * | D13 | N | 0-5/8 | 9 |
| +3V B21V1 | C13P2 | 1-07 * | D13 | N | 0-5/8 | 9 |
| +3V B21V1 | C13L2 | 1-08 * | D13 | N | 0-5/8 | 9 |
| +3V B21V1 | C14P2 | 1-09 * | D13 | N | 0-5/8 | 9 |
| +3V B21V1 | C14L2 | 1-10 * | D13 | N | 0-5/8 | 9 |
| +3V B21V1 | C15P2 | 1-11 * | D13 | N | 0-5/8 | 9 |
| +3V B21V1 | C15L2 | 1-12 * | D13 | N | 0-5/8 | 9 |
| +3V B21V1 | C16P2 | 1-13 * | D13 | N | 0-5/8 | 9 |
| +3V B21V1 | C16L2 | 1-14 * | D13 | N | 0-5/8 | 9 |
| +3V B21V1 | C17L2 | 1-15 * | D13 | N | 1 | 9 |
| +3V B21V1 | B21V1 | 1-16 * | D13 | N | 2-6/8 | 9 |
| +3V B21V1 | C17P2 | 1-17 * | D13 | N | 3-1/8 | 9 |
| +3V B21V1 | F30B1 | 1-18 * | D13 | N | 9-6/8 | 9 |
| +3V B21V1 | F30J1 | 1-19 * | D13 | N | 1 | 9 |
| +3V B21V1 | F30L1 | 1-20 * | D13 | N | 1-3/8 | 9 |
| +3V B21V1 | F31L1 | 1-21 * | D13 | N | 0-4/8 | 9 |
| +3V B21V1 | F31U2 | 1-22 * | D13 | N | 1 | 9 |
| +3V B21V1 | F30T2 | 1-23 * | D13 | N | 1-3/8 | 9 |
| +3V B21V1 | F30T2 | 1-24 * | D13 | N | 0-5/8 | 9 |
| +3V C03U1 | C03U1 | 1-01 * | D07 | N | 30-5/8 | 9 |
| +3V C03U1 | D03B1 | 1-02 * | D07 | N | 1-3/8 | 10 |
| +3V C03U1 | D04B1 | 1-03 * | D07 | N | 1 | 10 |
| +3V C03U1 | D05B1 | 1-04 * | D07 | N | 1 | 10 |
| +3V C03U1 | D06B1 | 1-05 * | D07 | N | 1-2/8 | 10 |
| +3V C03U1 | D06J1 | 1-06 * | D07 | N | 0-4/8 | 10 |
| +3V C03U1 | D06L1 | 1-07 * | D07 | N | 1 | 10 |
| +3V C03U1 | D05L1 | 1-08 * | D07 | N | 0-4/8 | 10 |
| +3V C03U1 | D04L1 | 1-09 * | D07 | N | 1 | 10 |
| +3V C03U1 | D03L1 | 1-10 * | D07 | N | 1 | 10 |
| +3V C03U1 | D03U2 | 1-11 * | D07 | N | 1-3/8 | 10 |
| +3V C03U1 | D04U2 | 1-12 * | D07 | N | 1 | 10 |
| +3V C03U1 | D05U2 | 1-13 * | D07 | N | 1 | 10 |
| +3V C03U1 | D05U2 | 1-14 * | D07 | N | 1 | 10 |
| +3V C03U1 | D06U2 | 1-15 * | D07 | N | 1 | 10 |
| +3V C03U1 | D06U2 | 1-15 * | D07 | N | 14-0/8 | 10 |
| +3V C03V1 | C03V1 | 1-01 * | D12 | N | 9-7/8 | 11 |
| +3V C03V1 | C19H2 | 1-02 * | D12 | N | 1 | 11 |
| +3V C03V1 | C20H2 | 1-03 * | D12 | N | 1 | 11 |
| +3V C03V1 | C21H2 | 1-04 * | D12 | N | 1 | 11 |
| +3V C03V1 | C22H2 | 1-05 * | D12 | N | 1 | 11 |
| +3V C03V1 | C23H2 | 1-06 * | D12 | N | 1 | 11 |
| +3V C03V1 | C24H2 | 1-07 * | D12 | N | 1-2/8 | 11 |
| +3V C03V1 | C28D2 | 1-08 * | D12 | N | 5-3/8 | 11 |
| +3V C03V1 | B32L1 | 1-09 * | D12 | N | 21-4/8 | 11 |
| +3V C03V1 | B32L1 | 1-09 * | D12 | N | | 11 |

| DX11B.U RUN NAME | A/P | WRAPD | ORDER | Q | 03-JUN-77 | REMARKS | 15-NOV-77 | PAGE 4 | 15148 | RUN |
|---------------------|-----|-------|-------|--------|-----------|---------|-----------|-----------|------------|--------|
| | | PIN | PIN | BAY | ORDER | | | NC LENGTH | EXCEPTIONS | NUMBER |
| | | | | | | | | FLAG | | |
| +3V C00U1 | | C04C1 | | 1-01 * | | | | N | 0-5/8 | 12 |
| +3V C00U1 | | C04F2 | | 1-02 * | | | | N | 0-1/8 | 12 |
| +3V C00U1 | | C04H2 | | 1-03 * | | | | N | 2-7/8 | 12 |
| +3V C00U1 | | C08U1 | | 1-04 * | | | | N | 3-5/8 | 12 |
| +3V C00V1 | | C13H1 | | 1-01 * | | | | N | 2 | 13 |
| +3V C00V1 | | C11T2 | | 1-02 * | | | | N | 4-1/8 | 13 |
| +3V C00V1 | | C04S2 | | 1-03 * | | | | N | 2-5/8 | 13 |
| +3V C00V1 | | C08V1 | | 1-04 * | | | | N | 3-1/8 | 13 |
| +3V C00V1 | | D00U2 | | 1-05 * | | | | N | 4-6/8 | 13 |
| +3V C00V1 | | E02U2 | | 1-06 * | | | | N | 1-5/8 | 13 |
| +3V C00V1 | | E02N2 | | 1-07 * | | | | N | 17-6/8 | 13 |
| +3V E00U1 | | C17H2 | | 1-01 * | | | | N | 1 | 14 |
| +3V E00U1 | | C16H2 | | 1-02 * | | | | N | 1 | 14 |
| +3V E00U1 | | C15H2 | | 1-03 * | | | | N | 1 | 14 |
| +3V E00U1 | | C14H2 | | 1-04 * | | | | N | 0-1/8 | 14 |
| +3V E00U1 | | E11S2 | | 1-05 * | | | | N | 0-4/8 | 14 |
| +3V E00U1 | | E11U2 | | 1-06 * | | | | N | 2-2/8 | 14 |
| +3V E00U1 | | E08U1 | | 1-07 * | | | | N | 13-7/8 | 14 |
| +3V E00V1 | | C13H2 | | 1-01 * | | | | N | 1 | 15 |
| +3V E00V1 | | C12H2 | | 1-02 * | | | | N | 1 | 15 |
| +3V E00V1 | | C11H2 | | 1-03 * | | | | N | 1 | 15 |
| +3V E00V1 | | C10H2 | | 1-04 * | | | | N | 8-1/8 | 15 |
| +3V E00V1 | | E08V1 | | 1-05 * | | | | N | 11-3/8 | 15 |
| +3V E12U1 | | C21D1 | | 1-01 * | | | | N | 2-4/8 | 16 |
| +3V E12U1 | | C25D1 | | 1-02 * | | | | N | 1-2/8 | 16 |
| +3V E12U1 | | C24A1 | | 1-03 * | | | | N | 0-5/8 | 16 |
| +3V E12U1 | | C23D1 | | 1-04 * | | | | N | 1 | 16 |
| +3V E12U1 | | C22D1 | | 1-05 * | | | | N | 2 | 16 |
| +3V E12U1 | | C19D1 | | 1-06 * | | | | N | 1 | 16 |
| +3V E12U1 | | C18D1 | | 1-07 * | | | | N | 1 | 16 |
| +3V E12U1 | | C17D1 | | 1-08 * | | | | N | 1 | 16 |
| +3V E12U1 | | C16D1 | | 1-09 * | | | | N | 1-2/8 | 16 |
| +3V E12U1 | | C15A1 | | 1-10 * | | | | N | 1 | 16 |
| +3V E12U1 | | C14A1 | | 1-11 * | | | | N | 1 | 16 |
| +3V E12U1 | | C13A1 | | 1-12 * | | | | N | 1 | 16 |
| +3V E12U1 | | C12A1 | | 1-13 * | | | | N | 1 | 16 |
| +3V E12U1 | | C11A1 | | 1-14 * | | | | N | 0-5/8 | 16 |
| +3V E12U1 | | C10D1 | | 1-15 * | | | | N | 8-1/8 | 16 |
| +3V E12U1 | | E12U1 | | 1-16 * | | | | N | 24-3/8 | 16 |

| DX11B.U RUN NAME | A/P | WRAPD | ORDER | Q | 03-JUN-77 | REMARKS | 15-NOV-77 | PAGE 5 | 15148 | RUN |
|---------------------|-----|-------|-------|--------|-----------|---------|-----------|-----------|------------|--------|
| | | PIN | PIN | BAY | ORDER | | | NC LENGTH | EXCEPTIONS | NUMBER |
| | | | | | | | | FLAG | | |
| +3V E14U1 | | C25H1 | | 1-01 * | | | | N | 1 | 17 |
| +3V E14U1 | | C24H1 | | 1-02 * | | | | N | 1 | 17 |
| +3V E14U1 | | C23H1 | | 1-03 * | | | | N | 0-5/8 | 17 |
| +3V E14U1 | | C22J1 | | 1-04 * | | | | N | 0-1/8 | 17 |
| +3V E14U1 | | C22K1 | | 1-05 * | | | | N | 1 | 17 |
| +3V E14U1 | | C21H1 | | 1-06 * | | | | N | 1 | 17 |
| +3V E14U1 | | C20H1 | | 1-07 * | | | | N | 1 | 17 |
| +3V E14U1 | | C19H1 | | 1-08 * | | | | N | 1 | 17 |
| +3V E14U1 | | C18H1 | | 1-09 * | | | | N | 0-7/8 | 17 |
| +3V E14U1 | | E14U1 | | 1-10 * | | | | N | 1-7/8 | 17 |
| +3V E14U1 | | F14E2 | | 1-11 * | | | | N | 0-4/8 | 17 |
| +3V E14U1 | | F14H2 | | 1-12 * | | | | N | 6-7/8 | 17 |
| +3V E14U1 | | J13M1 | | 1-13 * | | | | N | 24-7/8 | 17 |
| +3V E14V1 | | C10H1 | | 1-01 * | | | | N | 1 | 18 |
| +3V E14V1 | | C11K1 | | 1-02 * | | | | N | 0-1/8 | 18 |
| +3V E14V1 | | C11L1 | | 1-03 * | | | | N | 1 | 18 |
| +3V E14V1 | | C12L1 | | 1-04 * | | | | N | 1-5/8 | 18 |
| +3V E14V1 | | C14H1 | | 1-05 * | | | | N | 1 | 18 |
| +3V E14V1 | | C15H1 | | 1-06 * | | | | N | 1 | 18 |
| +3V E14V1 | | C16H1 | | 1-07 * | | | | N | 1-2/8 | 18 |
| +3V E14V1 | | C17L1 | | 1-08 * | | | | N | 8-1/8 | 18 |
| +3V E14V1 | | E14V1 | | 1-09 * | | | | N | 3-4/8 | 18 |
| +3V E14V1 | | F17P2 | | 1-10 * | | | | N | 18-5/8 | 18 |
| +3V E22U1 | | C25T2 | | 1-01 * | | | | N | 1 | 19 |
| +3V E22U1 | | C24T2 | | 1-02 * | | | | N | 1 | 19 |
| +3V E22U1 | | C23T2 | | 1-03 * | | | | N | 1 | 19 |
| +3V E22U1 | | C22T2 | | 1-04 * | | | | N | 2 | 19 |
| +3V E22U1 | | C19T2 | | 1-05 * | | | | N | 1 | 19 |
| +3V E22U1 | | C18T2 | | 1-06 * | | | | N | 7-3/8 | 19 |
| +3V E22U1 | | E22U1 | | 1-07 * | | | | N | 1-4/8 | 19 |
| +3V E22U1 | | F22C1 | | 1-08 * | | | | N | 0-1/8 | 19 |
| +3V E22U1 | | F22D1 | | 1-09 * | | | | N | 0-1/8 | 19 |
| +3V E22U1 | | F17T2 | | 1-10 * | | | | N | 3-7/8 | 19 |
| +3V E22V1 | | C10T2 | | 1-01 * | | | | N | 1-4/8 | 20 |
| +3V E22V1 | | C13T2 | | 1-02 * | | | | N | 1 | 20 |
| +3V E22V1 | | C13E2 | | 1-03 * | | | | N | 1 | 20 |
| +3V E22V1 | | C18T2 | | 1-04 * | | | | N | 1 | 20 |
| +3V E22V1 | | C15T2 | | 1-05 * | | | | N | 1 | 20 |
| +3V E22V1 | | C17S1 | | 1-06 * | | | | N | 0-1/8 | 20 |
| +3V E22V1 | | C17E2 | | 1-07 * | | | | N | 7-1/8 | 20 |
| +3V E22V1 | | F17D1 | | 1-08 * | | | | N | 0-4/8 | 20 |
| +3V E22V1 | | F17F2 | | 1-09 * | | | | N | 0-1/8 | 20 |
| +3V E22V1 | | F17H2 | | 1-10 * | | | | N | 0-5/8 | 20 |
| +3V E22V1 | | F17J1 | | 1-11 * | | | | N | 4-2/8 | 20 |
| +3V E22V1 | | E22V1 | | 1-12 * | | | | N | 6-3/8 | 20 |
| +3V E22V1 | | F30P1 | | 1-14 * | | | | N | 25-2/8 | 20 |

| DX118-U RUN NAME | WRAPD .V35(102)-1 A/P PIN ORDER NAME | 03-JUN-77 BAY - Q ORDER | DRAW OPT | RV PG Y | X Z | REMARKS | 15-NOV-77 | 15148 NC LENGTH EXCEPTIONS FLAG | PAGE 8 | RUN NUMBER |
|---------------------|--|-------------------------------|----------|---------|-----|---------|-----------|---------------------------------------|--------|---------------|
| A03 | L B25R2 | 1-01 * | D17 | | 1 | | | N 3-7/8 | | 36 |
| A03 | L B30D1 | 1-02 * | D17 | | | | | 3-7/8 | | 36 |
| A03 | L | | | | | | | | | 36 |
| A03B | H B30E1 | 1-01 * | D17 | | 1 | | | N 0-1/8 | | 37 |
| A03B | H D25J2 | 1-02 * | D19 | | | | | 0-1/8 | | 37 |
| A03B | H | | | | | | | | | 37 |
| A03C1 | A03C1 | 1-01 * S | D25 | | 1 | | | N 5-1/8 | | 38 |
| A03C1 | B04R1 | 1-02 * | D25 | | | | | 5-1/8 | | 38 |
| A03C1 | | | | | | | | | | 38 |
| A03K2 | A03K2 | 1-01 * S | D25 | | 2 | | | N 3-7/8 | | 39 |
| A03K2 | E06E2 | 1-02 * | D25 | | 1 | | | N 13-1/8 | | 39 |
| A03K2 | E16H1 | 1-03 * | D25 | | | | | 17-0/8 | | 39 |
| A03K2 | | | | | | | | | | 39 |
| A03N1 | A03J1 | 1-01 * | D25 | | 1 | | | N 1 | | 40 |
| A03N1 | A03N1 | 1-02 * | D25 | | | | | 1-0/8 | | 40 |
| A03N1 | | | | | | | | | | 40 |
| A03N2 | A01B1 | 1-01 * | D25 | | 1 | | | N 2-2/8 | | 41 |
| A03N2 | A03N2 | 1-02 * S | D25 | | | | | 2-2/8 | | 41 |
| A03N2 | | | | | | | | | | 41 |
| A03V2 | A03V2 | 1-01 * | D24 | | 2 | | | N 5-5/8 | | 42 |
| A03V2 | C02R2 | 1-02 * | D24 | | 1 | | | N 0-4/8 | | 42 |
| A03V2 | C02T2 | 1-03 * | D24 | | | | | 6-1/8 | | 42 |
| A03V2 | | | | | | | | | | 42 |
| A04 | H B25M2 | 1-01 * | D17 | | 2 | | | N 2-3/8 | | 43 |
| A04 | H B29K1 | 1-02 * | D17 | | 1 | | | N 5-6/8 | | 43 |
| A04 | H D29K1 | 1-03 * | D17 | | | | | 8-1/8 | | 43 |
| A04 | H | | | | | | | | | 43 |
| A04 | L B25M2 | 1-01 * | D17 | | 1 | | | N 3-6/8 | | 44 |
| A04 | L B30A1 | 1-02 * | D17 | | | | | 3-6/8 | | 44 |
| A04 | L | | | | | | | | | 44 |
| A04B | H B30B1 | 1-01 * | D17 | | 1 | | | N 9-1/8 | | 45 |
| A04B | H D25N2 | 1-02 * | D19 | | | | | 9-1/8 | | 45 |
| A04B | H | | | | | | | | | 45 |
| A04F1 | A04F1 | 1-01 * | D25 | | 1 | | | N 0-1/8 | | 46 |
| A04F1 | A04H1 | 1-02 * | D25 | | | | | 0-1/8 | | 46 |
| A04F1 | | | | | | | | | | 46 |
| A04K1 | A04K1 | 1-01 * | D25 | | 1 | | | N 0-1/8 | | 47 |
| A04K1 | A04L1 | 1-02 * | D25 | | | | | 0-1/8 | | 47 |
| A04K1 | | | | | | | | | | 47 |
| A04S1 | A04D2 | 1-01 * | D25 | | 1 | | | N 2-1/8 | | 48 |
| A04S1 | A04S1 | 1-02 * | D25 | | | | | 2-1/8 | | 48 |
| A04S1 | | | | | | | | | | 48 |

| DX118-U RUN NAME | WRAPD .V35(102)-1 A/P PIN ORDER NAME | 03-JUN-77 BAY - Q ORDER | DRAW OPT | RV PG Y | X Z | REMARKS | 15-NOV-77 | 15148 NC LENGTH EXCEPTIONS FLAG | PAGE 9 | RUN NUMBER |
|---------------------|--|-------------------------------|----------|---------|-----|---------|-----------|---------------------------------------|--------|---------------|
| A05S2 | A05S2 | 1-01 * | D25 | | 1 | | | N 0-1/8 | | 49 |
| A05S2 | A05T2 | 1-02 * | D25 | | | | | 0-1/8 | | 49 |
| A05S2 | | | | | | | | | | 49 |
| A06J1 | A06J1 | 1-01 * | D25 | | 1 | | | N 6-1/8 | | 50 |
| A06J1 | C05H1 | 1-02 * | D25 | | | | | 6-1/8 | | 50 |
| A06J1 | | | | | | | | | | 50 |
| A06M2 | A06M2 | 1-01 * | D07 | | 1 | | | N 7-3/8 | | 51 |
| A06M2 | C03P2 | 1-02 * | D07 | | | | | 7-3/8 | | 51 |
| A06M2 | | | | | | | | | | 51 |
| A06N1 | A06N1 | 1-01 * | D25 | | 1 | | | N 5-3/8 | | 52 |
| A06N1 | C05F1 | 1-02 * | D25 | | | | | 5-3/8 | | 52 |
| A06N1 | | | | | | | | | | 52 |
| A06U1 | A06K2 | 1-01 * | D07 | | 1 | | | N 1-5/8 | | 53 |
| A06U1 | A06U1 | 1-02 * S | D07 | | | | | 1-5/8 | | 53 |
| A06U1 | | | | | | | | | | 53 |
| A06V1 | A06V1 | 1-01 * | D11 | | 2 | | | N 8-3/8 | | 54 |
| A06V1 | C13S1 | 1-02 * | D11 | | 1 | | | N 8-3/8 | | 54 |
| A06V1 | B23M1 | 1-03 * | D11 | | | | | 16-6/8 | | 54 |
| A06V1 | | | | | | | | | | 54 |
| A07S1 | A07S1 | 1-01 * S | D21 | | 1 | | | N 0-5/8 | | 55 |
| A07S1 | A07V1 | 1-02 * | D21 | | | | | 0-5/8 | | 55 |
| A07S1 | | | | | | | | | | 55 |
| A07U1 | A07U1 | 1-01 * S | D21 | | 1 | | | N 7-1/8 | | 56 |
| A07U1 | A17D1 | 1-02 * | D21 | | | | | 7-1/8 | | 56 |
| A07U1 | | | | | | | | | | 56 |
| A08F2 | A08F2 | 1-01 * S | D13 | | 1 | | | N 8-6/8 | | 57 |
| A08F2 | C19M2 | 1-02 * | D13 | | | | | 8-6/8 | | 57 |
| A08F2 | | | | | | | | | | 57 |
| A08K1 | A08K1 | 1-01 * S | D13 | | 1 | | | N 0-4/8 | | 58 |
| A08K1 | A08M1 | 1-02 * | D13 | | | | | 0-4/8 | | 58 |
| A08K1 | | | | | | | | | | 58 |
| A08K2 | A06F2 | 1-01 * S | D25 | | 1 | | | N 1-5/8 | | 59 |
| A08K2 | A08K2 | 1-02 * S | D25 | | | | | 1-5/8 | | 59 |
| A08K2 | | | | | | | | | | 59 |
| A08N1 | A08D2 | 1-01 * S | D13 | | 1 | | | N 1-5/8 | | 60 |
| A08N1 | A08N1 | 1-02 * S | D13 | | | | | 1-5/8 | | 60 |
| A08N1 | | | | | | | | | | 60 |
| A08N2 | A07P2 | 1-01 * S | D25 | | 1 | | | N 1-1/8 | | 61 |
| A08N2 | A08N2 | 1-02 * S | D25 | | | | | 1-1/8 | | 61 |
| A08N2 | | | | | | | | | | 61 |

| DX110.U RUN NAME | A/P | WRAPD .V35(102)-1 | 03-JUN-77 | BAY - O | DRAW | RV | RG | Y | X | Z | REMARKS | 15-NOV-77 | 15148 NC LENGTH FLAG | PAGE 10 EXCEPTIONS | RUN NUMBER |
|---------------------|-----|-------------------|--------------|---------|------|-----|----|---|---|---|---------|-----------|----------------------------|-----------------------|---------------|
| | | PIN NAME | ORDER PIN | ORDER | | OPT | | | | | | | | | |
| A08S1 | | A08S1 | 1-01 * | S | D13 | | | | 2 | | | | N | 1-1/8 | 62 |
| A08L1 | | A08L1 | 1-02 * | | D13 | | | | 1 | | | | N | 8-4/8 | 62 |
| A08S1 | | C19N2 | 1-03 * | | D13 | | | | | | | | | 9-5/8 | 62 |
| A08S2 | | A08S2 | 1-01 * | | DXX | | | | 1 | | | | N | 7-3/8 | 63 |
| A08S2 | | B17N2 | 1-02 * | | DXX | | | | | | | | | 7-3/8 | 63 |
| A08V2 | | A08P2 | 1-01 * | | DXX | | | | 1 | | | | N | 1-1/8 | 64 |
| A08V2 | | A08V2 | 1-02 * | | DXX | | | | | | | | | 1-1/8 | 64 |
| A09C1 | | A09C1 | 1-01 * | S | D11 | | | | 1 | | | | N | 8-1/8 | 65 |
| A09C1 | | C11R1 | 1-02 * | | D11 | | | | | | | | | 8-1/8 | 65 |
| A09F1 | | A09B1 | 1-01 * | | D11 | | | | 1 | | | | N | 1 | 66 |
| A09F1 | | A09F1 | 1-02 * | S | D11 | | | | | | | | | 1-0/8 | 66 |
| A09K1 | | A09K1 | 1-01 * | S | D13 | | | | 1 | | | | N | 18-4/8 | 67 |
| A09K1 | | E25R2 | 1-02 * | | D13 | | | | | | | | | 18-4/8 | 67 |
| A09S1 | | A09L1 | 1-01 * | | D25 | | | | 1 | | | | N | 1-1/8 | 68 |
| A09S1 | | A09S1 | 1-02 * | S | D25 | | | | | | | | | 1-1/8 | 68 |
| A09V2 | | A09V2 | 1-01 * | S | D06 | | | | 1 | | | | N | 6-1/8 | 69 |
| A09V2 | | B17M2 | 1-02 * | | D06 | | | | | | | | | 6-1/8 | 69 |
| A20B2 | | A20B2 | 1-01 * | | D26 | | | | 1 | | | | N | 4-7/8 | 70 |
| A20B2 | | B23F1 | 1-02 * | | D26 | | | | | | | | | 4-7/8 | 70 |
| A20E2 | | A20E2 | 1-01 * | | D26 | | | | 1 | | | | N | 4-5/8 | 71 |
| A20E2 | | B23H1 | 1-02 * | | D26 | | | | | | | | | 4-5/8 | 71 |
| A20H2 | | A20H2 | 1-01 * | | D26 | | | | 1 | | | | N | 4-5/8 | 72 |
| A20H2 | | B23J1 | 1-02 * | | D26 | | | | | | | | | 4-5/8 | 72 |
| A20K2 | | A20K2 | 1-01 * | | D26 | | | | 1 | | | | N | 4-3/8 | 73 |
| A20K2 | | B23K1 | 1-02 * | | D26 | | | | | | | | | 4-3/8 | 73 |
| A20M2 | | A20M2 | 1-01 * | | D26 | | | | 1 | | | | N | 3-1/8 | 74 |
| A20M2 | | B21H2 | 1-02 * | | D26 | | | | | | | | | 3-1/8 | 74 |
| A20N2 | | A20N2 | 1-01 * | | D26 | | | | 1 | | | | N | 2-7/8 | 75 |
| A20N2 | | B21F2 | 1-02 * | | D26 | | | | | | | | | 2-7/8 | 75 |

| DX110.U RUN NAME | A/P | WRAPD .V35(102)-1 | 03-JUN-77 | BAY - O | DRAW | RV | RG | Y | X | Z | REMARKS | 15-NOV-77 | 15148 NC LENGTH FLAG | PAGE 11 EXCEPTIONS | RUN NUMBER |
|---------------------|-----|-------------------|--------------|---------|------|-----|----|---|---|---|---------|-----------|----------------------------|-----------------------|---------------|
| | | PIN NAME | ORDER PIN | ORDER | | OPT | | | | | | | | | |
| A20P2 | | A20P2 | 1-01 * | | D26 | | | | 1 | | | | N | 2-5/8 | 76 |
| A20P2 | | B21E2 | 1-02 * | | D26 | | | | | | | | | 2-5/8 | 76 |
| A20R2 | | A20R2 | 1-01 * | | D26 | | | | 1 | | | | N | 2-3/8 | 77 |
| A20R2 | | B21D2 | 1-02 * | | D26 | | | | | | | | | 2-3/8 | 77 |
| A20S2 | | A20S2 | 1-01 * | | D26 | | | | 1 | | | | N | 2-1/8 | 78 |
| A20S2 | | B21D1 | 1-02 * | | D26 | | | | | | | | | 2-1/8 | 78 |
| A20T2 | | A20T2 | 1-01 * | | D26 | | | | 1 | | | | N | 1-5/8 | 79 |
| A20T2 | | B21C1 | 1-02 * | | D26 | | | | | | | | | 1-5/8 | 79 |
| A20U2 | | A20U2 | 1-01 * | | D26 | | | | 1 | | | | N | 1-5/8 | 80 |
| A20U2 | | B21B1 | 1-02 * | | D26 | | | | | | | | | 1-5/8 | 80 |
| A20V2 | | A20V2 | 1-01 * | | D26 | | | | 1 | | | | N | 1-1/8 | 81 |
| A20V2 | | B21A1 | 1-02 * | | D26 | | | | | | | | | 1-1/8 | 81 |
| A21K1 | | A21K1 | 1-01 * | | D26 | | | | 1 | | | | N | 4-1/8 | 82 |
| A21K1 | | B22M2 | 1-02 * | | D26 | | | | | | | | | 4-1/8 | 82 |
| A21L1 | | A21L1 | 1-01 * | | D26 | | | | 1 | | | | N | 3-5/8 | 83 |
| A21L1 | | B22K2 | 1-02 * | | D26 | | | | | | | | | 3-5/8 | 83 |
| A21U2 | | A21U2 | 1-01 * | | D26 | | | | 1 | | | | N | 3-1/8 | 84 |
| A21U2 | | B22N2 | 1-02 * | | D26 | | | | | | | | | 3-1/8 | 84 |
| A21V2 | | A21V2 | 1-01 * | | D26 | | | | 1 | | | | N | 2-5/8 | 85 |
| A21V2 | | B22L2 | 1-02 * | | D26 | | | | | | | | | 2-5/8 | 85 |
| A22K1 | | A22K1 | 1-01 * | | D26 | | | | 1 | | | | N | 4-7/8 | 86 |
| A22K1 | | B15M2 | 1-02 * | | D26 | | | | | | | | | 4-7/8 | 86 |
| A22L1 | | A22L1 | 1-01 * | | D26 | | | | 1 | | | | N | 5-4/8 | 87 |
| A22L1 | | B15K2 | 1-02 * | | D26 | | | | | | | | | 5-4/8 | 87 |
| A22U2 | | A22U2 | 1-01 * | | D26 | | | | 1 | | | | N | 5-7/8 | 88 |
| A22U2 | | B15N2 | 1-02 * | | D26 | | | | | | | | | 5-7/8 | 88 |
| A22V2 | | A22V2 | 1-01 * | | D26 | | | | 1 | | | | N | 5-5/8 | 89 |
| A22V2 | | B15L2 | 1-02 * | | D26 | | | | | | | | | 5-5/8 | 89 |

| DX118.U RUN NAME | WRAPD .V35(102)-1 A/P PIN ORDER PIN | 03-JUN-77 BAY - Q ORDER | DRAW OPT | RV RG Y X Z | REMARKS | 15-NOV-77 | 15148 NC LENGTH EXCEPTIONS FLAG | PAGE 12 | RUN NUMBER |
|---------------------|--|-------------------------------|----------|-------------|---------|-----------|---------------------------------------|---------|---------------|
| A23N1 | A23J2 | 1-01 * | D14 | 1 | | | N 1 | | 90 |
| A23N1 | A23N1 | 1-02 * | D14 | | | | 1-0/8 | | 90 |
| A23P1 | A23K2 | 1-01 * | D14 | 1 | | | N 1 | | 91 |
| A23P1 | A23P1 | 1-02 * | D14 | | | | 1-0/8 | | 91 |
| A24D1 | A24D1 | 1-01 * | D20 | 1 | | | N 16-7/8 | | 92 |
| A24D1 | F19L1 | 1-02 * | D20 | | | | 16-7/8 | | 92 |
| A24J1 | A24J1 | 1-01 * | D15 | 1 | | | N 3-1/8 | | 93 |
| A24J1 | B25D1 | 1-02 * | D15 | | | | 3-1/8 | | 93 |
| A24M2 | A24M2 | 1-01 * | D13 | 2 | | | N 6-1/8 | | 94 |
| A24M2 | C23M2 | 1-02 * | D13 | 1 | | | N 7-1/8 | | 94 |
| A24M2 | E20D2 | 1-03 * | D13 | | | | 13-2/8 | | 94 |
| A24S2 | A24S2 | 1-01 * | D13 | 1 | | | N 6-5/8 | | 95 |
| A24S2 | C21N2 | 1-02 * | D13 | 2 | | | N 5-7/8 | | 95 |
| A24S2 | E29A1 | 1-03 * | D13 | | | | 12-4/8 | | 95 |
| A25S2 | A25S2 | 1-01 * | D08 | 1 | | | N 0-1/8 | | 96 |
| A25S2 | A25T2 | 1-02 * | D08 | | | | 0-1/8 | | 96 |
| A28E1 | A28E1 | 1-01 * | | 1 | | | N 6-3/8 | | 97 |
| A28E1 | B23R2 | 1-02 * | | | | | 6-3/8 | | 97 |
| A28J2 | A28J2 | 1-01 * | | 1 | | | N 6-6/8 | | 98 |
| A28J2 | B23U2 | 1-02 * | | | | | 6-6/8 | | 98 |
| A28U1 | A28U1 | 1-01 * | | 1 | | | N 5-6/8 | | 99 |
| A28U1 | B23S2 | 1-02 * | | | | | 5-6/8 | | 99 |
| A28S1 | A28S1 | 1-01 * | | 1 | | | N 4-6/8 | | 100 |
| A28S1 | B23T2 | 1-02 * | | | | | 4-6/8 | | 100 |
| ACLO | D09E2 | 1-01 * | D18 | 1 | | | N 11-7/8 | | 101 |
| ACLO | B23H2 | 1-02 * | D24 | 2 | | | N 9-3/8 | | 101 |
| ACLO | D29S1 | 1-03 * | D18 | | | | 21-2/8 | | 101 |
| ACLO | D09F2 | 1-01 * | D18 | 2 | | | N 9-1/8 | | 102 |
| ACLO | F23K1 | 1-02 * | DXX | 1 | | | N 0-1/8 | | 102 |
| ACLO | F23J1 | 1-03 * | DXX | | | | 9-2/8 | | 102 |

| DX118.U RUN NAME | WRAPD .V35(102)-1 A/P PIN ORDER PIN | 03-JUN-77 BAY - Q ORDER | DRAW OPT | RV RG Y X Z | REMARKS | 15-NOV-77 | 15148 NC LENGTH EXCEPTIONS FLAG | PAGE 13 | RUN NUMBER |
|---------------------|--|-------------------------------|----------|-------------|---------|-----------|---------------------------------------|---------|---------------|
| ADR OUT | J10N2 | 1-01 * | D27 | 2 | | | N 1-3/8 | | 103 |
| ADR OUT | J12J1 | 1-02 * | D27 | 1 | | | N 1-4/8 | | 103 |
| ADR OUT | J14J1 | 1-03 * | D27 | | | | 2-7/8 | | 103 |
| ADRECC | A05B1 | 1-01 * | D25 | 1 | | | N 11-7/8 | | 104 |
| ADRECC | D11F1 | 1-02 * | D19 | 2 | | | N 13-1/8 | | 104 |
| ADRECC | A24D2 | 1-03 * | | 1 | | | N 5-5/8 | | 104 |
| ADRECC | A32U1 | 1-04 * | D22 | 2 | | | N 6-1/8 | | 104 |
| ADRECC | B25F1 | 1-05 * | D26 | | | | 36-6/8 | | 104 |
| ADRECC | B18M1 | 1-01 * | D26 | 2 | | | N 4 | | 105 |
| ADRECC | B23N1 | 1-02 * | D26 | 1 | | | N 8-7/8 | | 105 |
| ADRECC | E25T2 | 1-03 * | D13 | | | | 12-7/8 | | 105 |
| ADRECC | B25K1 | 1-01 * | D26 | 2 | | | N 5-5/8 | | 106 |
| ADRECC | A32V1 | 1-02 * | D22 | 1 | | | N 14-4/8 | | 106 |
| ADRECC | E12F2 | 1-03 * | D24 | 2 | | | N 4-1/8 | | 106 |
| ADRECC | D10F1 | 1-04 * | DXX | 1 | | | N 8 | | 106 |
| ADRECC | F21H1 | 1-05 * | DXX | | | | 32-2/8 | | 106 |
| ADRECC | B05E2 | 1-01 * | D24 | 1 | | | N 0-4/8 | | 107 |
| ADRECC | B06H1 | 1-02 * | D25 | 2 | | | N 10-1/8 | | 107 |
| ADRECC | B25J1 | 1-03 * | D26 | 1 | | | N 3-5/8 | | 107 |
| ADRECC | A24H2 | 1-04 * | | | | | 14-2/8 | | 107 |
| ADRI(0) | B04K1 | 1-01 * | D25 | 2 | | | N 9-5/8 | | 108 |
| ADRI(0) | E02R1 | 1-02 * | D24 | 1 | | | N 10-1/8 | | 108 |
| ADRI(0) | F19B1 | 1-03 * | D27 | 2 | | | N 8-3/8 | | 108 |
| ADRI(0) | C23S2 | 1-04 * | D13 | | | | 20-1/8 | | 108 |
| ADRI(1) | A31F2 | 1-01 * | D22 | 1 | | | N 10-4/8 | | 109 |
| ADRI(1) | C23R2 | 1-02 * | H D13 | 2 | | | 18-5/8 | | 109 |
| ADRI(1) | J11K2 | 1-03 * | DXX | | | | 29-1/8 | | 109 |
| ADRI(1) | J11F2 | 1-01 * | D17 | 1 | | | N 1-2/8 | | 110 |
| ADRI(1) | J12H2 | 1-02 * | D27 | 2 | | | N 1-4/8 | | 110 |
| ADRI(1) | J14H2 | 1-03 * | D27 | | | | 2-6/8 | | 110 |
| ADRO | C21F2 | 1-01 * | H D12 | 1 | | | 19-7/8 | | 111 |
| ADRO | J10M2 | 1-02 * | | | | | 19-7/8 | | 111 |

| DX11B.U RUN NAME | WRAPD .V35(102)-1 A/P PIN ORDER PIN | 03-JUN-77 BAY - C DRAW RV RG Y X Z | 15-NOV-77 REMARKS | 15:48 NC LENGTH EXCEPTIONS FLAG | PAGE 14 RUN NUMBER |
|---------------------|--|---------------------------------------|----------------------|---------------------------------------|-----------------------|
| ADRO(0) | H C21K2 | 1-01 * S D12 | 1 | N 3-3/8 | 112 |
| ADRO(0) | H B21H1 | 1-02 * D13 | 2 | N 3-3/8 | 112 |
| ADRO(0) | H A19L2 | 1-03 * D26 | 1 | N 9-7/8 | 112 |
| ADRO(0) | H B04B1 | 1-04 * D25 | 2 | N 4-5/8 | 112 |
| ADRO(0) | H C05P1 | 1-05 * D24 | 1 | N 6-5/8 | 112 |
| ADRO(0) | H E01K2 | 1-06 * D05 | 1 | 27-7/8 | 112 |
| ADRO(1) | H C21J2 | 1-01 * S D12 | 2 | N 4-3/8 | 113 |
| ADRO(1) | H D21S1 | 1-02 * D19 | 1 | N 6-3/8 | 113 |
| ADRO(1) | H F29E2 | 1-03 * DX D22 | 2 | N 14-1/8 | 113 |
| ADRO(1) | H A31H1 | 1-04 * D22 | 1 | N 11-5/8 | 113 |
| ADRO(1) | H A08J2 | 1-05 * D25 | 2 | N 2-7/8 | 113 |
| ADRO(1) | H A05C1 | 1-06 * D25 | 1 | N 11-5/8 | 113 |
| ADRO(1) | H E05J1 | 1-07 * D25 | 2 | N 3-1/8 | 113 |
| ADRO(1) | H E01P1 | 1-08 * D05 | 2 | N 2 | 113 |
| ADRO(1) | H E01A1 | 1-09 * D05 | 1 | 56-1/8 | 113 |
| ADRS SELO | L B32C1 | 1-01 * D17 | 2 | N 1-7/8 | 114 |
| ADRS SELO | L B29L2 | 1-02 * D17 | 1 | N 0-1/8 | 114 |
| ADRS SELO | L B29M2 | 1-03 * D17 | 2 | N 2-5/8 | 114 |
| ADRS SELO | L B25L1 | 1-04 * D17 | 1 | N 4-2/8 | 114 |
| ADRS SELO | L C30L2 | 1-05 * D17 | 1 | 0-7/8 | 114 |
| ADRS TO BUS | H D26B1 | 1-01 * S D18 | 2 | N 1-2/8 | 115 |
| ADRS TO BUS | H D27H1 | 1-02 * D17 | 1 | N 0-1/8 | 115 |
| ADRS TO BUS | H D27F1 | 1-03 * D17 | 2 | N 0-4/8 | 115 |
| ADRS TO BUS | H D27J2 | 1-04 * D17 | 1 | N 0-1/8 | 115 |
| ADRS TO BUS | H D28H1 | 1-05 * D17 | 2 | N 0-1/8 | 115 |
| ADRS TO BUS | H D28F1 | 1-06 * D17 | 2 | N 0-1/8 | 115 |
| ADRS TO BUS | H D27N1 | 1-07 * D17 | 1 | N 1-3/8 | 115 |
| ADRS TO BUS | H | | | 3-4/8 | 115 |
| ADRS02 | H A24H1 | 1-01 * D15 | 1 | N 12-5/8 | 116 |
| ADRS02 | H E20J2 | 1-02 * S D17 | 1 | 12-5/8 | 116 |
| ADRS02 | L B29S1 | 1-01 * S D17 | 1 | N 11-3/8 | 117 |
| ADRS02 | L E20H2 | 1-02 * D17 | 1 | 11-3/8 | 117 |
| ADRS04 | H B25L2 | 1-01 * S D17 | 1 | N 11-7/8 | 118 |
| ADRS04 | H E16D2 | 1-02 * D06 | 2 | N 1-7/8 | 118 |
| ADRS04 | H E19N2 | 1-03 * D06 | 1 | N 1 | 118 |
| ADRS04 | H E15T2 | 1-04 * D06 | 1 | 14-6/8 | 118 |
| ADRS04 | H | | | | 118 |
| ADRS04 | L B25K2 | 1-01 * D17 | 1 | N 2-7/8 | 119 |
| ADRS04 | L B29R1 | 1-02 * S D17 | 1 | 2-7/8 | 119 |
| ADRS04 | L | | | | 119 |

| DX11B.U RUN NAME | WRAPD .V35(102)-1 A/P PIN ORDER PIN | 03-JUN-77 BAY - C DRAW RV RG Y X Z | 15-NOV-77 REMARKS | 15:48 NC LENGTH EXCEPTIONS FLAG | PAGE 15 RUN NUMBER |
|---------------------|--|---------------------------------------|----------------------|---------------------------------------|-----------------------|
| ADRS06 | H E07A1 | 1-01 * D09 | 2 | N 1-4/8 | 120 |
| ADRS06 | H E07K1 | 1-02 * DX D17 | 1 | N 7-3/8 | 120 |
| ADRS06 | H E20L2 | 1-03 * S D17 | 1 | 0-7/8 | 120 |
| ADRS06 | L B29P1 | 1-01 * D17 | 1 | N 11-7/8 | 121 |
| ADRS06 | L E20K2 | 1-02 * S D17 | 1 | 11-7/8 | 121 |
| ADRS10 | H A02A1 | 1-01 * D25 | 1 | N 16-5/8 | 122 |
| ADRS10 | H B25U1 | 1-02 * S D17 | 1 | 16-5/8 | 122 |
| ADRS10 | L B25V1 | 1-01 * D17 | 1 | N 3-1/8 | 123 |
| ADRS10 | L B29N1 | 1-02 * S D17 | 1 | 3-1/8 | 123 |
| ADRS12 | H A25L2 | 1-01 * D08 | 1 | N 13-5/8 | 124 |
| ADRS12 | H E20N2 | 1-02 * S D17 | 1 | 13-5/8 | 124 |
| ADRS12 | L B29M1 | 1-01 * S D17 | 1 | N 13-3/8 | 125 |
| ADRS12 | L E20M2 | 1-02 * D17 | 1 | 12-3/8 | 125 |
| ADRS14 | H B18D1 | 1-01 * D21 | 1 | N 0-5/8 | 126 |
| ADRS14 | H B18H1 | 1-02 * D21 | 2 | N 10-3/8 | 126 |
| ADRS14 | H E20R2 | 1-03 * S D17 | 1 | 11-0/8 | 126 |
| ADRS14 | L B29T2 | 1-01 * S D17 | 1 | N 13-3/8 | 127 |
| ADRS14 | L E20P2 | 1-02 * D17 | 1 | 12-3/8 | 127 |
| ADRS16 | L B29S2 | 1-01 * D17 | 1 | N 7-7/8 | 128 |
| ADRS16 | L E20K2 | 1-02 * D13 | 1 | 7-7/8 | 128 |
| ADRS24 | L A08A1 | 1-01 * D20 | 1 | N 15-3/8 | 129 |
| ADRS24 | L B29N2 | 1-02 * S D17 | 1 | 15-3/8 | 129 |
| ARSO | H B1282 | 1-01 * D15 | 2 | N 0-5/8 | 130 |
| ARSO | H B12N1 | 1-02 * D15 | 1 | N 0-4/8 | 130 |
| ARSO | H E12L2 | 1-03 * D15 | 2 | N 0-5/8 | 130 |
| ARSO | H B12H1 | 1-04 * D15 | 1 | N 0-4/8 | 130 |
| ARSO | H B12E2 | 1-05 * D15 | 2 | N 0-5/8 | 130 |
| ARSO | H B12R1 | 1-06 * D15 | 1 | N 1 | 130 |
| ARSO | H B11B1 | 1-07 * D15 | 2 | N 1-1/8 | 130 |
| ARSO | H B11H1 | 1-08 * D15 | 1 | N 0-5/8 | 130 |
| ARSO | H B10J1 | 1-09 * D15 | 1 | N 3-4/8 | 130 |
| ARSO | H C07E1 | 1-10 * S D25 | 2 | 9-1/8 | 130 |

| DX11B.U RUN NAME | WRAPD .V35(102)=1 A/P PIN ORDER | 03-JUN-77 BAY - O ORDER | 15-NOV-77 RV PG Y X Z | REMARKS | 15148 NC LENGTH FLAG | PAGE 16 EXCEPTIONS | RUN NUMBER |
|---------------------|------------------------------------|----------------------------|--------------------------|---------|----------------------------|-----------------------|---------------|
| ARSO | B03C1 | 1-01 * 8 | D25 | 1 | N 4-1/8 | | 131 |
| ARSO | C07D1 | 1-02 * 8 | D25 | 1 | 4-1/8 | | 131 |
| ARSO | | | | | | | 131 |
| ATTEN(0) | C04F1 | 1-01 * 8 | D24 | 1 | N 7-3/8 | | 132 |
| ATTEN(0) | C17K2 | 1-02 * 8 | D09 | 1 | 7-3/8 | | 132 |
| ATTEN(0) | | | | | | | 132 |
| ATTEN(1) | C17J2 | 1-01 * 8 | D09 | 2 | N 3-7/8 | | 133 |
| ATTEN(1) | D17N1 | 1-02 * 8 | D19 | 1 | N 9-5/8 | | 133 |
| ATTEN(1) | B09K2 | 1-03 * 8 | D10 | 2 | N 11-7/8 | | 133 |
| ATTEN(1) | A29U1 | 1-04 * 8 | D22 | 1 | N 12-5/8 | | 133 |
| ATTEN(1) | F30D1 | 1-05 * 8 | D13 | 1 | 30-0/8 | | 133 |
| ATTEN(1) | | | | | | | 133 |
| B01C1 | B01C1 | 1-01 * 8 | D05 | 1 | N 11-5/8 | | 134 |
| B01C1 | E04U2 | 1-02 * 8 | D05 | 1 | 11-5/8 | | 134 |
| B01C1 | | | | | | | 134 |
| B01F1 | B01F1 | 1-01 * 8 | D05 | 2 | N 3-4/8 | | 135 |
| B01F1 | C01L1 | 1-02 * 8 | D05 | 1 | N 7-7/8 | | 135 |
| B01F1 | C10K1 | 1-03 * 8 | D05 | 1 | 11-3/8 | | 135 |
| B01F1 | | | | | | | 135 |
| B01F2 | B01F2 | 1-01 * 8 | D11 | 1 | N 14-1/8 | | 136 |
| B01F2 | E19P1 | 1-02 * 8 | D11 | 2 | N 4-3/8 | | 136 |
| B01F2 | E22N2 | 1-03 * 8 | D11 | 1 | 18-4/8 | | 136 |
| B01F2 | | | | | | | 136 |
| B01K1 | B01K1 | 1-01 * 8 | D05 | 2 | N 3-5/8 | | 137 |
| B01K1 | C01P2 | 1-02 * 8 | D05 | 1 | N 5-1/8 | | 137 |
| B01K1 | C10K1 | 1-03 * 8 | D05 | 1 | 8-6/8 | | 137 |
| B01K1 | | | | | | | 137 |
| B01K2 | B01K2 | 1-01 * 8 | D11 | 1 | N 18-7/8 | | 138 |
| B01K2 | E25A1 | 1-02 * 8 | D11 | 1 | 18-7/8 | | 138 |
| B01K2 | | | | | | | 138 |
| B01N1 | B01N1 | 1-01 * 8 | D05 | 1 | N 8-5/8 | | 139 |
| B01N1 | C13L1 | 1-02 * 8 | D05 | 1 | 8-5/8 | | 139 |
| B01N1 | | | | | | | 139 |
| B01N2 | B01N2 | 1-01 * 8 | D11 | 1 | N 3-5/8 | | 140 |
| B01N2 | A01M1 | 1-02 * 8 | D11 | 1 | 3-5/8 | | 140 |
| B01N2 | | | | | | | 140 |
| B01S1 | B01S1 | 1-01 * 8 | D11 | 1 | N 14-3/8 | | 141 |
| B01S1 | F19L2 | 1-02 * 8 | D11 | 1 | 14-3/8 | | 141 |
| B01S1 | | | | | | | 141 |
| B01S2 | B01S2 | 1-01 * 8 | D11 | 1 | N 10-3/8 | | 142 |
| B01S2 | C17P1 | 1-02 * 8 | D11 | 1 | 10-3/8 | | 142 |
| B01S2 | | | | | | | 142 |

| DX11B.U RUN NAME | WRAPD .V35(102)=1 A/P PIN ORDER | 03-JUN-77 BAY - O ORDER | 15-NOV-77 RV PG Y X Z | REMARKS | 15148 NC LENGTH FLAG | PAGE 17 EXCEPTIONS | RUN NUMBER |
|---------------------|------------------------------------|----------------------------|--------------------------|---------|----------------------------|-----------------------|---------------|
| B02K2 | B02K2 | 1-01 * 8 | D24 | 1 | N 4-7/8 | | 143 |
| B02K2 | C05R1 | 1-02 * 8 | D24 | 1 | 4-7/8 | | 143 |
| B02K2 | | | | | | | 143 |
| B02S1 | B02S1 | 1-01 * 8 | D25 | 2 | N 2-5/8 | | 144 |
| B02S1 | B05L1 | 1-02 * 8 | D25 | 1 | N 0-5/8 | | 144 |
| B02S1 | B05H1 | 1-03 * 8 | D25 | 1 | 3-2/8 | | 144 |
| B02S1 | | | | | | | 144 |
| B03F2 | B03F2 | 1-01 * 8 | D25 | 1 | N 0-1/8 | | 145 |
| B03F2 | B03H2 | 1-02 * 8 | D25 | 1 | 0-1/8 | | 145 |
| B03F2 | | | | | | | 145 |
| B03N1 | B03N1 | 1-01 * 8 | D25 | 1 | N 0-1/8 | | 146 |
| B03N1 | B03P1 | 1-02 * 8 | D25 | 1 | 0-1/8 | | 146 |
| B03N1 | | | | | | | 146 |
| B03S2 | A06H1 | 1-01 * 8 | D25 | 1 | N 5-3/8 | | 147 |
| B03S2 | B03S2 | 1-02 * 8 | D25 | 1 | 5-3/8 | | 147 |
| B03S2 | | | | | | | 147 |
| B03V2 | B03V2 | 1-01 * 8 | D25 | 1 | N 2-2/8 | | 148 |
| B03V2 | C05J1 | 1-02 * 8 | D25 | 1 | 2-2/8 | | 148 |
| B03V2 | | | | | | | 148 |
| B04E1 | A03H1 | 1-01 * 8 | D25 | 1 | N 3-3/8 | | 149 |
| B04E1 | B04E1 | 1-02 * 8 | D25 | 1 | 3-3/8 | | 149 |
| B04E1 | | | | | | | 149 |
| B04L1 | B04L1 | 1-01 * 8 | D25 | 1 | N 8-1/8 | | 150 |
| B04L1 | E05H1 | 1-02 * 8 | D25 | 1 | 8-1/8 | | 150 |
| B04L1 | | | | | | | 150 |
| B04V2 | A04E2 | 1-01 * 8 | D25 | 1 | N 4-7/8 | | 151 |
| B04V2 | B04V2 | 1-02 * 8 | D25 | 1 | 4-7/8 | | 151 |
| B04V2 | | | | | | | 151 |
| B05F2 | B05F2 | 1-01 * 8 | D24 | 1 | N 3-1/8 | | 152 |
| B05F2 | C06F1 | 1-02 * 8 | D24 | 1 | 3-1/8 | | 152 |
| B05F2 | | | | | | | 152 |
| B05K2 | B05K2 | 1-01 * 8 | D24 | 1 | N 15-3/8 | | 153 |
| B05K2 | E24L2 | 1-02 * 8 | D24 | 1 | 15-3/8 | | 153 |
| B05K2 | | | | | | | 153 |
| B05S2 | B05S2 | 1-01 * 8 | D24 | 1 | N 0-4/8 | | 154 |
| B05S2 | B05U2 | 1-02 * 8 | D24 | 1 | 0-4/8 | | 154 |
| B05S2 | | | | | | | 154 |
| B06S1 | A05N2 | 1-01 * 8 | DXX | 1 | N 3-5/8 | | 155 |
| B06S1 | B06S1 | 1-02 * 8 | DXX | 1 | 3-5/8 | | 155 |
| B06S1 | | | | | | | 155 |
| B00A1 | A12E2 | 1-01 * 8 | D10 | 1 | N 3-5/8 | | 156 |
| B00A1 | B00A1 | 1-02 * 8 | D10 | 1 | 3-5/8 | | 156 |
| B00A1 | | | | | | | 156 |

70

| DX118.U RUN NAME | WRAPD .V35(102)-1 A/P PIN ORDER NAME | 03-JUN-77 BAY - O DRAW ORDER | RV PG Y X Z | REMARKS | 15-NOV-77 | 15148 NC LENGTH EXCEPTIONS FLAG | PAGE 18 | RUN NUMBER |
|---------------------|---|------------------------------------|-------------|---------|-----------|---------------------------------------|---------|---------------|
| 000K1 | A13E2 | 1-01 * | D10 | 1 | | N 5 | | 157 |
| 000K1 | B00K1 | 1-02 * | D10 | 1 | | 5-0/8 | | 157 |
| 000K1 | | 1 | | | | | | 157 |
| 000H1 | A10E2 | 1-01 * | D10 | 1 | | N 5-1/8 | | 158 |
| 000H1 | B00H1 | 1-02 * | D10 | 1 | | 5-1/8 | | 158 |
| 000H1 | | 1 | | | | | | 158 |
| 000V2 | A11E2 | 1-01 * | D10 | 1 | | N 6-1/8 | | 159 |
| 000V2 | B00V2 | 1-02 * | D10 | 1 | | 6-1/8 | | 159 |
| 000V2 | | 1 | | | | | | 159 |
| 009A1 | A16E2 | 1-01 * | D10 | 1 | | N 6-3/8 | | 160 |
| 009A1 | B09A1 | 1-02 * | D10 | 1 | | 6-3/8 | | 160 |
| 009A1 | | 1 | | | | | | 160 |
| 009K1 | A17E2 | 1-01 * | D10 | 1 | | N 7 | | 161 |
| 009K1 | B09K1 | 1-02 * | D10 | 1 | | 7-0/8 | | 161 |
| 009K1 | | 1 | | | | | | 161 |
| 009M1 | A14E2 | 1-01 * | D10 | 1 | | N 5-5/8 | | 162 |
| 009M1 | B09M1 | 1-02 * | D10 | 1 | | 5-5/8 | | 162 |
| 009M1 | | 1 | | | | | | 162 |
| 009V2 | A15E2 | 1-01 * | D10 | 1 | | N 7-5/8 | | 163 |
| 009V2 | B09V2 | 1-02 * | D10 | 1 | | 7-5/8 | | 163 |
| 009V2 | | 1 | | | | | | 163 |
| 010K1 | B10K1 | 1-01 * | D15 | 1 | | N 0-1/8 | | 164 |
| 010K1 | B10L1 | 1-02 * | D15 | 2 | | N 0-5/8 | | 164 |
| 010K1 | B10P1 | 1-03 * | D15 | 1 | | 0-6/8 | | 164 |
| 010K1 | | 1 | | | | | | 164 |
| 010S2 | B10S2 | 1-01 * | S DX | 1 | | N 3-5/8 | | 165 |
| 010S2 | C06C1 | 1-02 * | DX | 1 | | 3-5/8 | | 165 |
| 010S2 | | 1 | | | | | | 165 |
| 011E1 | A11P1 | 1-01 * | D15 | 1 | | N 2-2/8 | | 166 |
| 011E1 | B11E1 | 1-02 * | D15 | 1 | | 2-2/8 | | 166 |
| 011E1 | | 1 | | | | | | 166 |
| 011J2 | A16T2 | 1-01 * | D16 | 1 | | N 4-2/8 | | 167 |
| 011J2 | B11J2 | 1-02 * | D16 | 1 | | 4-2/8 | | 167 |
| 011J2 | | 1 | | | | | | 167 |
| 011L1 | A10P1 | 1-01 * | D15 | 1 | | N 3-3/8 | | 168 |
| 011L1 | B11L1 | 1-02 * | D15 | 1 | | 3-3/8 | | 168 |
| 011L1 | | 1 | | | | | | 168 |
| 011P2 | A15T2 | 1-01 * | D16 | 1 | | N 3-6/8 | | 169 |
| 011P2 | R11P2 | 1-02 * | D16 | 1 | | 3-6/8 | | 169 |
| 011P2 | | 1 | | | | | | 169 |

| DX118.U RUN NAME | WRAPD .V35(102)-1 A/P PIN ORDER NAME | 03-JUN-77 BAY - O DRAW ORDER | RV PG Y X Z | REMARKS | 15-NOV-77 | 15148 NC LENGTH EXCEPTIONS FLAG | PAGE 19 | RUN NUMBER |
|---------------------|---|------------------------------------|-------------|---------|-----------|---------------------------------------|---------|---------------|
| B11S1 | A17T2 | 1-01 * | D16 | 1 | | N 5-4/8 | | 170 |
| B11S1 | B11S1 | 1-02 * | D16 | 1 | | 5-4/8 | | 170 |
| B11S1 | | 1 | | | | | | 170 |
| B11V2 | A14T2 | 1-01 * | D16 | 1 | | N 4-7/8 | | 171 |
| B11V2 | B11V2 | 1-02 * | D16 | 1 | | 4-7/8 | | 171 |
| B11V2 | | 1 | | | | | | 171 |
| B12E1 | A17P1 | 1-01 * | D15 | 1 | | N 4-2/8 | | 172 |
| B12E1 | B12E1 | 1-02 * | D15 | 1 | | 4-2/8 | | 172 |
| B12E1 | | 1 | | | | | | 172 |
| B12J2 | A14P1 | 1-01 * | D15 | 1 | | N 3-1/8 | | 173 |
| B12J2 | B12J2 | 1-02 * | D15 | 1 | | 3-1/8 | | 173 |
| B12J2 | | 1 | | | | | | 173 |
| B12L1 | A16P1 | 1-01 * | D15 | 1 | | N 3-7/8 | | 174 |
| B12L1 | B12L1 | 1-02 * | D15 | 1 | | 3-7/8 | | 174 |
| B12L1 | | 1 | | | | | | 174 |
| B12P2 | A13P1 | 1-01 * | D15 | 1 | | N 3-3/8 | | 175 |
| B12P2 | B12P2 | 1-02 * | D15 | 1 | | 3-3/8 | | 175 |
| B12P2 | | 1 | | | | | | 175 |
| B12S1 | A15P1 | 1-01 * | D15 | 1 | | N 4-7/8 | | 176 |
| B12S1 | B12S1 | 1-02 * | D15 | 1 | | 4-7/8 | | 176 |
| B12S1 | | 1 | | | | | | 176 |
| B12V2 | A12P1 | 1-01 * | D15 | 1 | | N 4-1/8 | | 177 |
| B12V2 | B12V2 | 1-02 * | D15 | 1 | | 4-1/8 | | 177 |
| B12V2 | | 1 | | | | | | 177 |
| B13A1 | A12M2 | 1-01 * | D10 | 1 | | N 2-1/8 | | 178 |
| B13A1 | B13A1 | 1-02 * | D10 | 1 | | 2-1/8 | | 178 |
| B13A1 | | 1 | | | | | | 178 |
| B13K1 | A13M2 | 1-01 * | D10 | 1 | | N 3-1/8 | | 179 |
| B13K1 | B13K1 | 1-02 * | D10 | 1 | | 3-1/8 | | 179 |
| B13K1 | | 1 | | | | | | 179 |
| B13M1 | A10M2 | 1-01 * | D10 | 1 | | N 4-3/8 | | 180 |
| B13M1 | B13M1 | 1-02 * | D10 | 1 | | 4-3/8 | | 180 |
| B13M1 | | 1 | | | | | | 180 |
| B13V2 | A11M2 | 1-01 * | D10 | 1 | | N 5-1/8 | | 181 |
| B13V2 | B13V2 | 1-02 * | D10 | 1 | | 5-1/8 | | 181 |
| B13V2 | | 1 | | | | | | 181 |
| B14A1 | A16M2 | 1-01 * | D10 | 1 | | N 2-4/8 | | 182 |
| B14A1 | B14A1 | 1-02 * | D10 | 1 | | 2-4/8 | | 182 |
| B14A1 | | 1 | | | | | | 182 |
| B14K1 | A17M2 | 1-01 * | D10 | 1 | | N 4-2/8 | | 183 |
| B14K1 | B14K1 | 1-02 * | D10 | 1 | | 4-2/8 | | 183 |
| B14K1 | | 1 | | | | | | 183 |

| DX118.U RUN NAME | WRAPD .V35(102)-1 A/P PIN ORDER PIN | 03-JUN-77 BAY - Q ORDER | DRAW OPT | RV RG Y X Z | REMARKS | 15-NOV-77 | 15:48 NC LENGTH EXCEPTIONS FLAG | PAGE 20 | RUN NUMBER |
|---------------------|--|----------------------------|----------|-------------|---------|-----------|---------------------------------------|---------|---------------|
| B14M1 | A14M2 | 1-01 * | D10 | 1 | | | N 3-3/8 | | 194 |
| B14M1 | A14M1 | 1-02 * | D10 | | | | 3-3/8 | | 194 |
| B14M1 | | 1 | | | | | | | 194 |
| B14V2 | A14M2 | 1-01 * | D10 | 1 | | | N 4-3/8 | | 195 |
| B14V2 | B14V2 | 1-02 * | D10 | | | | 4-3/8 | | 195 |
| B14V2 | | 1 | | | | | | | 195 |
| B15E1 | A13T2 | 1-01 * | D16 | 1 | | | N 2-3/8 | | 196 |
| B15E1 | B15E1 | 1-02 * | D16 | | | | 2-3/8 | | 196 |
| B15E1 | | 1 | | | | | | | 196 |
| B15J2 | A10T2 | 1-01 * | D16 | 1 | | | N 4-2/8 | | 197 |
| B15J2 | B15J2 | 1-02 * | D16 | | | | 4-2/8 | | 197 |
| B15J2 | | 1 | | | | | | | 197 |
| B15L1 | A12T2 | 1-01 * | D16 | 1 | | | N 3-4/8 | | 198 |
| B15L1 | B15L1 | 1-02 * | D16 | | | | 3-4/8 | | 198 |
| B15L1 | | 1 | | | | | | | 198 |
| B1581 | A11T2 | 1-01 * | D16 | 1 | | | N 4-5/8 | | 199 |
| B1581 | B1581 | 1-02 * | D16 | | | | 4-5/8 | | 199 |
| B1581 | | 1 | | | | | | | 199 |
| B15V2 | B15V2 | 1-01 * | | 1 | | | N 9-1/8 | | 199 |
| B15V2 | B32R1 | 1-02 * | | | | | 9-1/8 | | 199 |
| B15V2 | | 1 | | | | | | | 199 |
| B16F1 | A14L2 | 1-01 * | D10 | 2 | | | N 1 | | 191 |
| B16F1 | A15L2 | 1-02 * | D10 | 1 | | | N 1 | | 191 |
| B16F1 | A16L2 | 1-03 * | D10 | 2 | | | N 1 | | 191 |
| B16F1 | A17L2 | 1-04 * | D10 | 1 | | | N 3-3/8 | | 191 |
| B16F1 | B16F1 | 1-05 * | D10 | | | | 3-3/8 | | 191 |
| B16F1 | | 1 | | | | | | | 191 |
| B16F2 | A13D2 | 1-01 * | D10 | 2 | | | N 1 | | 192 |
| B16F2 | A12D2 | 1-02 * | D10 | 1 | | | N 1 | | 192 |
| B16F2 | A11D2 | 1-03 * | D10 | 2 | | | N 1 | | 192 |
| B16F2 | A10D2 | 1-04 * | D10 | 1 | | | N 4-6/8 | | 192 |
| B16F2 | B16F2 | 1-05 * | D10 | | | | 4-6/8 | | 192 |
| B16F2 | | 1 | | | | | | | 192 |
| B16K1 | A10L2 | 1-01 * | D10 | 2 | | | N 1 | | 193 |
| B16K1 | A11L2 | 1-02 * | D10 | 1 | | | N 1 | | 193 |
| B16K1 | A12L2 | 1-03 * | D10 | 2 | | | N 1 | | 193 |
| B16K1 | A13L2 | 1-04 * | D10 | 1 | | | N 4-1/8 | | 193 |
| B16K1 | B16K1 | 1-05 * | D10 | | | | 4-1/8 | | 193 |
| B16K1 | | 1 | | | | | | | 193 |
| B16K2 | A27L1 | 1-01 * | D20 | 1 | | | N 0-4/8 | | 194 |
| B16K2 | A27N1 | 1-02 * | D20 | 2 | | | N 8-1/8 | | 194 |
| B16K2 | B16K2 | 1-03 * | D20 | 1 | | | N 0-1/8 | | 194 |
| B16K2 | B16L2 | 1-04 * | D20 | 2 | | | N 0-1/8 | | 194 |
| B16K2 | B16M2 | 1-05 * | D20 | 1 | | | N 9-7/8 | | 194 |
| B16K2 | E13N1 | 1-06 * | D20 | | | | 9-7/8 | | 194 |
| B16K2 | | 1 | | | | | | | 194 |

| DX118.U RUN NAME | WRAPD .V35(102)-1 A/P PIN ORDER PIN | 03-JUN-77 BAY - Q ORDER | DRAW OPT | RV RG Y X Z | REMARKS | 15-NOV-77 | 15:48 NC LENGTH EXCEPTIONS FLAG | PAGE 21 | RUN NUMBER |
|---------------------|--|----------------------------|----------|-------------|---------|-----------|---------------------------------------|---------|---------------|
| B16M2 | A27F1 | 1-01 * | D20 | 1 | | | N 0-4/8 | | 195 |
| B16M2 | A27J1 | 1-02 * | D20 | 2 | | | N 1-5/8 | | 195 |
| B16M2 | A27U2 | 1-03 * | D20 | 1 | | | N 7-7/8 | | 195 |
| B16M2 | D09H2 | 1-04 * | D20 | 2 | | | N 7-4/8 | | 195 |
| B16M2 | D09H2 | 1-05 * | | | | | 17-4/8 | | 195 |
| B16M2 | | 1 | | | | | | | 195 |
| B16S1 | A17D2 | 1-01 * | D10 | 2 | | | N 1 | | 196 |
| B16S1 | A16D2 | 1-02 * | D10 | 1 | | | N 1 | | 196 |
| B16S1 | A15D2 | 1-03 * | D10 | 2 | | | N 1 | | 196 |
| B16S1 | A14D2 | 1-04 * | D10 | 1 | | | N 5-1/8 | | 196 |
| B16S1 | B16S1 | 1-05 * | D10 | | | | 0-1/8 | | 196 |
| B16S1 | | 1 | | | | | | | 196 |
| B17E1 | B17E1 | 1-01 * | D06 | 1 | | | N 9-5/8 | | 197 |
| B17E1 | E20D1 | 1-02 * | D06 | | | | 9-5/8 | | 197 |
| B17E1 | | 1 | | | | | | | 197 |
| B17J2 | A09U2 | 1-01 * | D06 | 1 | | | N 6-1/8 | | 198 |
| B17J2 | B17J2 | 1-02 * | D06 | | | | 6-1/8 | | 198 |
| B17J2 | | 1 | | | | | | | 198 |
| B17L1 | B17L1 | 1-01 * | D06 | 1 | | | N 0-1/8 | | 199 |
| B17L1 | E16H2 | 1-02 * | D06 | | | | 0-1/8 | | 199 |
| B17L1 | | 1 | | | | | | | 199 |
| B17P2 | B17B1 | 1-01 * | D06 | 1 | | | N 1-7/8 | | 200 |
| B17P2 | B17P2 | 1-02 * | D06 | | | | 1-7/8 | | 200 |
| B17P2 | | 1 | | | | | | | 200 |
| B17S1 | B17S1 | 1-01 * | D06 | 1 | | | N 9-3/8 | | 201 |
| B17S1 | E20H1 | 1-02 * | D06 | | | | 9-3/8 | | 201 |
| B17S1 | | 1 | | | | | | | 201 |
| B17V2 | C18A1 | 1-01 * | D06 | 1 | | | N 0-5/8 | | 202 |
| B17V2 | B17V2 | 1-02 * | D06 | | | | 0-5/8 | | 202 |
| B17V2 | | 1 | | | | | | | 202 |
| B18F1 | B10A1 | 1-01 * | D21 | 2 | | | N 1 | | 203 |
| B18F1 | B10E1 | 1-02 * | D21 | 1 | | | N 4-5/8 | | 203 |
| B18F1 | B10F1 | 1-03 * | D21 | | | | 5-5/8 | | 203 |
| B18F1 | | 1 | | | | | | | 203 |
| B18F2 | B18F2 | 1-01 * | D06 | 1 | | | N 11-3/8 | | 204 |
| B18F2 | E13M2 | 1-02 * | D06 | | | | 11-3/8 | | 204 |
| B18F2 | | 1 | | | | | | | 204 |
| B18K1 | B18K1 | 1-01 * | D21 | 1 | | | N 1-7/8 | | 205 |
| B18K1 | B20E1 | 1-02 * | D21 | 2 | | | N 1 | | 205 |
| B18K1 | B20A1 | 1-03 * | D21 | | | | 2-7/8 | | 205 |
| B18K1 | | 1 | | | | | | | 205 |
| B18K2 | B18K2 | 1-01 * | D06 | 1 | | | N 0-1/8 | | 206 |
| B18K2 | E10J1 | 1-02 * | D06 | | | | 0-1/8 | | 206 |
| B18K2 | | 1 | | | | | | | 206 |

72

| DX118.U | WRAPD .V35(102)-1 | 03-JUN-77 | 15-NOV-77 | PAGE 22 | RUN |
|---------|--------------------|--------------------------|-----------|----------------------|--------|
| NUMBER | A/P PIN NAME ORDER | BAY - Q DRAW RV RG Y X Z | REMARKS | NC LENGTH EXCEPTIONS | NUMBER |
| B10K2 | B17E2 | 1-01 * DXK | 1 | N 1-5/0 | 207 |
| B10N2 | B18K2 | 1-02 * D06 | 1 | 1-5/0 | 207 |
| B10B1 | B18L1 | 1-01 * A01U1 | 1 | N 12-3/0 | 208 |
| B10B1 | B18L1 | 1-02 * A01U1 | 1 | 12-3/0 | 208 |
| B10B2 | B18K2 | 1-01 * C10K2 | 1 | N 2 | 209 |
| B10B2 | C10K2 | 1-02 * C10K2 | 1 | 2-0/0 | 209 |
| B19E1 | B19E1 | 1-01 * C22S1 | 1 | N 5-5/0 | 210 |
| B19E1 | C22S1 | 1-02 * C22S1 | 1 | 5-5/0 | 210 |
| B19J2 | B16B1 | 1-01 * B19J2 | 1 | N 2-7/0 | 211 |
| B19J2 | B19J2 | 1-02 * B19J2 | 1 | 2-7/0 | 211 |
| B19L1 | B19L1 | 1-01 * C23S1 | 1 | N 5-3/0 | 212 |
| B19L1 | C23S1 | 1-02 * C23S1 | 1 | 5-3/0 | 212 |
| B19P2 | B16L1 | 1-01 * B19P2 | 1 | N 2-3/0 | 213 |
| B19P2 | B19P2 | 1-02 * B19P2 | 1 | 2-3/0 | 213 |
| B19S1 | B19S1 | 1-01 * C24S1 | 1 | N 4 | 214 |
| B19S1 | C24S1 | 1-02 * C24S1 | 1 | 4-0/0 | 214 |
| B19V2 | A09J1 | 1-01 * B19V2 | 1 | N 0-5/0 | 215 |
| B19V2 | B19V2 | 1-02 * S D13 | 1 | 0-5/0 | 215 |
| B20F2 | B20F2 | 1-01 * E25R1 | 1 | N 11-3/0 | 216 |
| B20F2 | E25R1 | 1-02 * E25R1 | 1 | 11-3/0 | 216 |
| B20K1 | B20K1 | 1-01 * C25R1 | 1 | N 4-7/0 | 217 |
| B20K1 | C25R1 | 1-02 * C25R1 | 1 | 4-7/0 | 217 |
| B20K2 | B20K2 | 1-01 * C15R1 | 1 | N 4-7/0 | 218 |
| B20K2 | C15R1 | 1-02 * C15R1 | 1 | 4-7/0 | 218 |
| B20N1 | B20N1 | 1-01 * C15R1 | 1 | N 3-5/0 | 219 |
| B20N1 | C15R1 | 1-02 * C15R1 | 1 | 3-5/0 | 219 |
| B20N2 | B20N2 | 1-01 * B20N2 | 1 | N 0-1/0 | 220 |
| B20N2 | B20P2 | 1-02 * B20P2 | 1 | 0-1/0 | 220 |

| DX118.U | WRAPD .V35(102)-1 | 03-JUN-77 | 15-NOV-77 | PAGE 23 | RUN |
|---------|--------------------|--------------------------|-----------|----------------------|--------|
| NUMBER | A/P PIN NAME ORDER | BAY - Q DRAW RV RG Y X Z | REMARKS | NC LENGTH EXCEPTIONS | NUMBER |
| B20S1 | B20S1 | 1-01 * D11 | 1 | N 3-5/0 | 221 |
| B20S1 | C10R1 | 1-02 * D11 | 1 | 3-5/0 | 221 |
| B20S2 | B20S2 | 1-01 * D11 | 1 | N 5-1/0 | 222 |
| B20S2 | C14R1 | 1-02 * D11 | 1 | 5-1/0 | 222 |
| B20V2 | B20V2 | 1-01 * D13 | 1 | N 10 | 223 |
| B20V2 | E29D2 | 1-02 * D13 | 1 | 10-0/0 | 223 |
| B21J2 | B18L1 | 1-01 * D26 | 1 | N 2-3/0 | 224 |
| B21J2 | B21J2 | 1-02 * D26 | 1 | 2-3/0 | 224 |
| B21P2 | B21P2 | 1-01 * D13 | 1 | N 10-7/0 | 225 |
| B21P2 | E26R2 | 1-02 * D13 | 1 | 10-7/0 | 225 |
| B21V2 | B21V2 | 1-01 * D11 | 1 | N 10-7/0 | 226 |
| B21V2 | E27U2 | 1-02 * D11 | 1 | 10-7/0 | 226 |
| B23L1 | B18M1 | 1-01 * D26 | 1 | N 3-1/0 | 227 |
| B23L1 | B23L1 | 1-02 * D26 | 1 | 3-1/0 | 227 |
| B23P2 | B23P2 | 1-01 * D06 | 1 | N 10-1/0 | 228 |
| B23P2 | E10L2 | 1-02 * D06 | 1 | 10-1/0 | 228 |
| B23S1 | B23S1 | 1-01 * D11 | 1 | N 8-1/0 | 229 |
| B23S1 | E24L1 | 1-02 * D11 | 1 | 8-1/0 | 229 |
| B25M1 | B25M1 | 1-01 * D17 | 2 | N 4-3/0 | 230 |
| B25M1 | B32H1 | 1-02 * D17 | 1 | N 0-5/0 | 230 |
| B25M1 | B32D1 | 1-03 * D17 | 1 | 5-0/0 | 230 |
| B26N1 | B26N1 | 1-01 * D08 | 1 | N 1 | 231 |
| B26N1 | B26N1 | 1-02 * D08 | 1 | 1-0/0 | 231 |
| B26P1 | B26K2 | 1-01 * D08 | 1 | N 1 | 232 |
| B26P1 | B26P1 | 1-02 * D08 | 1 | 1-0/0 | 232 |
| B27E1 | B26S2 | 1-01 * D08 | 1 | N 1-7/0 | 233 |
| B27E1 | B27E1 | 1-02 * D08 | 1 | 1-7/0 | 233 |

| DX118.U RUN NAME | A/P | PIN | ORDER | NAME | WRAPD | V35(102)-1 | 03-JUN-77 | RAY | O | DRAW | RV | RG | Y | X | Z | REMARKS | 15-NOV-77 | 15148 NC LENGTH FLAG | PAGE 24 EXCEPTIONS | RUN NUMBER |
|---------------------|-----|-------|--------|------|-------|------------|-----------|-----|---|------|----|----|---|---|---|---------|-----------|----------------------------|-----------------------|---------------|
| B27F1 | | B26U2 | 1-01 * | D08 | | | | | | | | | | | 1 | | N | 2-1/8 | | 234 |
| B27F1 | | B27F1 | 1-02 * | D08 | | | | | | | | | | | | | N | 2-1/8 | | 234 |
| B27N1 | | B27J2 | 1-01 * | D08 | | | | | | | | | | | 1 | | N | 1 | | 235 |
| B27N1 | | B27N1 | 1-02 * | D08 | | | | | | | | | | | | | N | 1-0/8 | | 235 |
| B27P1 | | B27K2 | 1-01 * | D08 | | | | | | | | | | | 1 | | N | 1 | | 236 |
| B27P1 | | B27P1 | 1-02 * | D08 | | | | | | | | | | | | | N | 1-0/8 | | 236 |
| B31D2 | | B1562 | 1-01 * | D20 | | | | | | | | | | | 1 | | N | 0-1/8 | | 237 |
| B31D2 | | B15T2 | 1-02 * | D20 | | | | | | | | | | | 2 | | N | 1-7/8 | | 237 |
| B31D2 | | B16H2 | 1-03 * | D20 | | | | | | | | | | | 1 | | N | 7-7/8 | | 237 |
| B31D2 | | A27P2 | 1-04 * | D20 | | | | | | | | | | | 2 | | N | 1 | | 237 |
| B31D2 | | A27K2 | 1-05 * | D20 | | | | | | | | | | | 1 | | N | 3-4/8 | | 237 |
| B31D2 | | B31D2 | 1-06 * | D20 | | | | | | | | | | | | | N | 14-3/8 | | 237 |
| B31E2 | | A27S2 | 1-01 * | D20 | | | | | | | | | | | 1 | | N | 3-2/8 | | 238 |
| B31E2 | | B31E2 | 1-02 * | D20 | | | | | | | | | | | | | N | 3-2/8 | | 238 |
| B32N1 | | A24M1 | 1-01 * | D17 | | | | | | | | | | | 2 | | N | 1 | | 239 |
| B32N1 | | A24S1 | 1-02 * | D17 | | | | | | | | | | | 1 | | N | 6-7/8 | | 239 |
| B32N1 | | B32N1 | 1-03 * | D17 | | | | | | | | | | | | | N | 7-7/8 | | 239 |
| BAAR | | A07H1 | 1-01 * | D25 | | | | | | | | | | | 1 | | N | 5-7/8 | | 240 |
| BAAR | | C06H2 | 1-02 * | D07 | | | | | | | | | | | 2 | | N | 3-6/8 | | 240 |
| BAAR | | D06P2 | 1-03 * | D07 | | | | | | | | | | | 1 | | N | 1 | | 240 |
| BAAR | | D05M2 | 1-04 * | D07 | | | | | | | | | | | 2 | | N | 1 | | 240 |
| BAAR | | D04M2 | 1-05 * | D07 | | | | | | | | | | | 1 | | N | 1 | | 240 |
| BAAR | | D03P2 | 1-06 * | D07 | | | | | | | | | | | 2 | | N | 1-1/8 | | 240 |
| BAAR | | D03F2 | 1-07 * | D07 | | | | | | | | | | | | | N | 13-6/8 | | 240 |
| BAAR | | B03F1 | 1-01 * | D25 | | | | | | | | | | | 1 | | N | 0-1/8 | | 241 |
| BAAR | | B03H1 | 1-02 * | D25 | | | | | | | | | | | 2 | | N | 4-6/8 | | 241 |
| BAAR | | A07F1 | 1-03 * | D25 | | | | | | | | | | | 1 | | N | 18-3/8 | | 241 |
| BAAR | | E22J1 | 1-04 * | D11 | | | | | | | | | | | 2 | | N | 2-3/8 | | 241 |
| BAAR | | E25P1 | 1-05 * | D11 | | | | | | | | | | | | | N | 25-5/8 | | 241 |
| BADB | | A02D1 | 1-01 * | D25 | | | | | | | | | | | 2 | | N | 9-1/8 | | 242 |
| BADB | | C07N1 | 1-02 * | D25 | | | | | | | | | | | 1 | | N | 0-1/8 | | 242 |
| BADB | | C07P2 | 1-03 * | D25 | | | | | | | | | | | 2 | | N | 1-7/8 | | 242 |
| BADB | | C10P1 | 1-04 * | D11 | | | | | | | | | | | | | N | 11-1/8 | | 242 |

| DX118.U RUN NAME | A/P | PIN | ORDER | NAME | WRAPD | V35(102)-1 | 03-JUN-77 | RAY | O | DRAW | RV | RG | Y | X | Z | REMARKS | 15-NOV-77 | 15148 NC LENGTH FLAG | PAGE 25 EXCEPTIONS | RUN NUMBER |
|---------------------|-----|-------|--------|------|-------|------------|-----------|-----|---|------|----|----|---|---|---|---------|-----------|----------------------------|-----------------------|---------------|
| BADB1 | | C07P1 | 1-01 * | D25 | | | | | | | | | | | 1 | | N | 2-5/8 | | 243 |
| BADB1 | | D04C1 | 1-02 * | D07 | | | | | | | | | | | 2 | | N | 1 | | 243 |
| BADB1 | | D03R2 | 1-03 * | D07 | | | | | | | | | | | 1 | | N | 2-1/8 | | 243 |
| BADB1 | | D04R2 | 1-04 * | D07 | | | | | | | | | | | 2 | | N | 1 | | 243 |
| BADB1 | | D04R2 | 1-05 * | D07 | | | | | | | | | | | | | N | 6-6/8 | | 243 |
| BADB2 | | C07R2 | 1-01 * | D25 | | | | | | | | | | | 2 | | N | 2-1/8 | | 244 |
| BADB2 | | C06B2 | 1-02 * | D07 | | | | | | | | | | | 1 | | N | 3-3/8 | | 244 |
| BADB2 | | D06C1 | 1-03 * | D07 | | | | | | | | | | | 2 | | N | 1 | | 244 |
| BADB2 | | D05C1 | 1-04 * | D07 | | | | | | | | | | | 1 | | N | 2-1/8 | | 244 |
| BADB2 | | D05R2 | 1-05 * | D07 | | | | | | | | | | | 2 | | N | 1 | | 244 |
| BADB2 | | D06R2 | 1-06 * | D07 | | | | | | | | | | | | | N | 9-5/8 | | 244 |
| BAIN 00 | | C10B1 | 1-01 * | D11 | | | | | | | | | | | 1 | | N | 4-7/8 | | 245 |
| BAIN 00 | | D03V2 | 1-02 * | D07 | | | | | | | | | | | | | N | 4-7/8 | | 245 |
| BAIN 01 | | D04V2 | 1-01 * | D07 | | | | | | | | | | | 1 | | N | 2-1/8 | | 246 |
| BAIN 01 | | D08U1 | 1-02 * | D07 | | | | | | | | | | | | | N | 2-1/8 | | 246 |
| BAIN 02 | | D05V2 | 1-01 * | D07 | | | | | | | | | | | 1 | | N | 2-5/8 | | 247 |
| BAIN 02 | | D08N2 | 1-02 * | D07 | | | | | | | | | | | | | N | 2-5/8 | | 247 |
| BAIN 03 | | D06V2 | 1-01 * | D07 | | | | | | | | | | | 1 | | N | 1-6/8 | | 248 |
| BAIN 03 | | D08W2 | 1-02 * | D07 | | | | | | | | | | | | | N | 1-6/8 | | 248 |
| BAIN 04 | | D03M1 | 1-01 * | D07 | | | | | | | | | | | 1 | | N | 3-3/8 | | 249 |
| BAIN 04 | | D08J1 | 1-02 * | D07 | | | | | | | | | | | | | N | 3-3/8 | | 249 |
| BAIN 05 | | D04M1 | 1-01 * | D07 | | | | | | | | | | | 1 | | N | 2-5/8 | | 250 |
| BAIN 05 | | D08K1 | 1-02 * | D07 | | | | | | | | | | | | | N | 2-5/8 | | 250 |
| BAIN 06 | | D05M1 | 1-01 * | D07 | | | | | | | | | | | 1 | | N | 2-7/8 | | 251 |
| BAIN 06 | | D08E2 | 1-02 * | D07 | | | | | | | | | | | | | N | 2-7/8 | | 251 |
| BAIN 07 | | D06M1 | 1-01 * | D07 | | | | | | | | | | | 1 | | N | 2-3/8 | | 252 |
| BAIN 07 | | D08D2 | 1-02 * | D07 | | | | | | | | | | | | | N | 2-3/8 | | 252 |
| BAIN 08 | | D03K1 | 1-01 * | D07 | | | | | | | | | | | 1 | | N | 3-1/8 | | 253 |
| BAIN 08 | | D07S1 | 1-02 * | D07 | | | | | | | | | | | | | N | 3-1/8 | | 253 |
| BAIN 09 | | D04K1 | 1-01 * | D07 | | | | | | | | | | | 1 | | N | 2-5/8 | | 254 |
| BAIN 09 | | D07U1 | 1-02 * | D07 | | | | | | | | | | | | | N | 2-5/8 | | 254 |

| DX11B.U RUN NAME | WRAPD .V35(102)-1 A/P PIN ORDER NAME | 03-JUN-77 RAY O ORDER | DRAW OPT RV RG Y | X Z | REMARKS | 15-NOV-77 | 15148 NC LENGTH EXCEPTIONS FLAG | PAGE 28 RUN NUMBER |
|---------------------|--|-----------------------------|---------------------|-----|---------|-----------|---------------------------------------|--------------------------|
| BIT 0 COMP | A20J2 | 1-01 * | D26 | 1 | | | N 3-7/8 | 273 |
| BIT 0 COMP | B23D1 | 1-02 * | D26 | 2 | | | N 1 | 273 |
| BIT 0 COMP | B22J2 | 1-03 * | D26 | | | | 4-7/8 | 273 |
| BIT 1 COMP | A20F2 | 1-01 * | D26 | 1 | | | N 3-7/8 | 274 |
| BIT 1 COMP | B23C1 | 1-02 * | D26 | 2 | | | N 2-3/8 | 274 |
| BIT 1 COMP | B22B1 | 1-03 * | D26 | | | | 6-2/8 | 274 |
| BIT 2 COMP | A20B2 | 1-01 * | D26 | 1 | | | N 4-1/8 | 275 |
| BIT 2 COMP | B23B1 | 1-02 * | D26 | 2 | | | N 1-7/8 | 275 |
| BIT 2 COMP | B22L1 | 1-03 * | D26 | | | | 6-0/8 | 275 |
| BIT 3 COMP | A20V2 | 1-01 * | D26 | 1 | | | N 2-6/8 | 276 |
| BIT 3 COMP | B23A1 | 1-02 * | D26 | 2 | | | N 1-1/8 | 276 |
| BIT 3 COMP | B22E1 | 1-03 * | D26 | | | | 3-7/8 | 276 |
| BLAST | A01D1 | 1-01 * | D13 | 2 | | | N 12-3/8 | 277 |
| BLAST | E02V2 | 1-02 * | D24 | 1 | | | N 11-7/8 | 277 |
| BLAST | E25K1 | 1-03 * | D11 | 2 | | | N 6-1/8 | 277 |
| BLAST | E14P2 | 1-04 * | D25 | | | | 30-3/8 | 277 |
| BLAST | A00J1 | 1-01 * | D13 | 1 | | | N 9-1/8 | 278 |
| BLAST | C19B2 | 1-02 * | D13 | | | | 9-1/8 | 278 |
| BLUF(1) | C08H2 | 1-01 * | D13 | 1 | | | N 6-7/8 | 279 |
| BLUF(1) | C19R2 | 1-02 * | D13 | | | | 6-7/8 | 279 |
| BLLM | C18N2 | 1-01 * | D13 | 1 | | | N 11-7/8 | 280 |
| BLLM | E32F2 | 1-02 * | D13 | | | | 11-7/8 | 280 |
| BLLMF(1) | C18R2 | 1-01 * | D13 | 1 | | | N 11-7/8 | 281 |
| BLLMF(1) | A03B1 | 1-02 * | D13 | | | | 11-7/8 | 281 |
| BR OUT | B28J2 | 1-01 * | D18 | 1 | | | N 4-7/8 | 282 |
| BR OUT | C26P1 | 1-02 * | D18 | | | | 4-7/8 | 282 |
| BSY(0) | C04K1 | 1-01 * | D24 | 1 | | | N 5-6/8 | 283 |
| BSY(0) | C14K2 | 1-02 * | D09 | | | | 5-6/8 | 283 |
| BSY(1) | C14J2 | 1-01 * | D09 | 2 | | | N 5 | 284 |
| BSY(1) | B09P1 | 1-02 * | D10 | 1 | | | N 8-1/8 | 284 |
| BSY(1) | D14N1 | 1-03 * | D19 | 2 | | | N 13-6/8 | 284 |
| BSY(1) | A31B1 | 1-04 * | D22 | 1 | | | N 15-5/8 | 284 |
| BSY(1) | F30S2 | 1-05 * | D13 | | | | 42-4/8 | 284 |

| DX11B.U RUN NAME | WRAPD .V35(102)-1 A/P PIN ORDER NAME | 03-JUN-77 RAY O ORDER | DRAW OPT RV RG Y | X Z | REMARKS | 15-NOV-77 | 15148 NC LENGTH EXCEPTIONS FLAG | PAGE 29 RUN NUMBER |
|---------------------|--|-----------------------------|---------------------|-----|---------|-----------|---------------------------------------|--------------------------|
| BSYEN(0) | B06K1 | 1-01 * | D06 | 1 | | | N 13-7/8 | 285 |
| BSYEN(0) | E18P1 | 1-02 * | D06 | 2 | | | N 8-1/8 | 285 |
| BSYEN(0) | C21F1 | 1-03 * | D06 | | | | 22-0/8 | 285 |
| BSYEN(1) | C21E1 | 1-01 * | D06 | 1 | | | N 8-1/8 | 286 |
| BSYEN(1) | A30E1 | 1-02 * | D22 | 2 | | | N 9-1/8 | 286 |
| BSYEN(1) | B17D2 | 1-03 * | DXX | 1 | | | N 1-2/8 | 286 |
| BSYEN(1) | B17L2 | 1-04 * | DXX | 2 | | | N 6-5/8 | 286 |
| BSYEN(1) | C09H2 | 1-05 * | DXX | 1 | | | N 9-3/8 | 286 |
| BSYEN(1) | D21M1 | 1-06 * | D19 | 2 | | | N 5-3/8 | 286 |
| BSYEN(1) | F21J1 | 1-07 * | DXX | | | | 39-7/8 | 286 |
| BSY8(1) | A29J1 | 1-01 * | D22 | 2 | | | N 11-7/8 | 287 |
| BSY8(1) | R13R1 | 1-02 * | D10 | 1 | | | N 8-3/8 | 287 |
| BSY8(1) | D18S2 | 1-03 * | D19 | 2 | | | N 3-5/8 | 287 |
| BSY8(1) | C18N1 | 1-04 * | D05 | | | | 23-7/8 | 287 |
| BUDATA | E19R2 | 1-01 * | D13 | 1 | | | N 1-2/8 | 288 |
| BUDATA | E19J2 | 1-02 * | D13 | 2 | | | N 6-3/8 | 288 |
| BUDATA | E31E1 | 1-03 * | D13 | 1 | | | N 0-4/8 | 288 |
| BUDATA | E31E2 | 1-04 * | D13 | 2 | | | N 1-3/8 | 288 |
| BUDATA | E31M1 | 1-05 * | D13 | 2 | | | N 0-4/8 | 288 |
| BUDATA | E31M2 | 1-06 * | D13 | 1 | | | N 1-2/8 | 288 |
| BUDATA | E31U2 | 1-07 * | D13 | 1 | | | N 1 | 288 |
| BUDATA | E30U2 | 1-08 * | D13 | 2 | | | N 2-3/8 | 288 |
| BUDATA | E27S1 | 1-09 * | D13 | | | | 14-5/8 | 288 |
| BUS A00 | C30H2 | 1-01 * | D17 | 1 | | | N 4-1/8 | 289 |
| BUS A00 | D32H2 | 1-02 * | D28 | 2 | | | N 1 | 289 |
| BUS A00 | D31H2 | 1-03 * | D28 | 1 | | | N 2-4/8 | 289 |
| BUS A00 | D28U2 | 1-04 * | D17 | | | | 7-5/8 | 289 |
| BUS A01 | D28S2 | 1-01 * | D17 | 2 | | | N 2-3/8 | 290 |
| BUS A01 | D29A1 | 1-02 * | D17 | 1 | | | N 1-6/8 | 290 |
| BUS A01 | D31H1 | 1-03 * | D28 | 2 | | | N 1 | 290 |
| BUS A01 | D32H1 | 1-04 * | D28 | | | | 5-1/8 | 290 |
| BUS A02 | D28P2 | 1-01 * | D17 | 2 | | | N 1-7/8 | 291 |
| BUS A02 | D29D1 | 1-02 * | D17 | 1 | | | N 2-1/8 | 291 |
| BUS A02 | D31J2 | 1-03 * | D28 | 1 | | | N 1 | 291 |
| BUS A02 | D32J2 | 1-04 * | D28 | 2 | | | 5-0/8 | 291 |
| BUS A03 | D28M2 | 1-01 * | D17 | 2 | | | N 1-2/8 | 292 |
| BUS A03 | D29F1 | 1-02 * | D17 | 1 | | | N 1-5/8 | 292 |
| BUS A03 | D31J1 | 1-03 * | D28 | 1 | | | N 1 | 292 |
| BUS A03 | D32J1 | 1-04 * | D28 | 2 | | | 3-7/8 | 292 |

| DX118.U RUN NAME | WRAPD .V35(102)-1 A/P PIN ORDER PIN | 03-JUN-77 BAY - G | DRAW RV RC Y X Z | REMARKS | 15-NOV-77 | 15148 NC LENGTH EXCEPTIONS FLAG | PAGE 30 RUN NUMBER |
|---------------------|--|----------------------|------------------|---------|-----------|---------------------------------------|-----------------------|
| BUS A04 | L D28K2 | 1-01 * | D17 | 1 | | N 0-5/8 | 293 |
| BUS A04 | L D29J1 | 1-02 * | D17 | 2 | | N 1-5/8 | 293 |
| BUS A04 | L D31K2 | 1-03 * | D28 | 1 | | N 1 | 293 |
| BUS A04 | L D32K2 | 1-04 * | D28 | 1 | | 3-2/8 | 293 |
| BUS A05 | L C30V1 | 1-01 * | D17 | 2 | | N 2-3/8 | 294 |
| BUS A05 | L D28H2 | 1-02 * | D17 | 1 | | N 1-7/8 | 294 |
| BUS A05 | L D31K1 | 1-03 * | D28 | 2 | | N 1 | 294 |
| BUS A05 | L D32K1 | 1-04 * | D28 | 1 | | 5-2/8 | 294 |
| BUS A06 | L C30U1 | 1-01 * | D17 | 2 | | N 2-2/8 | 295 |
| BUS A06 | L D28E2 | 1-02 * | D17 | 1 | | N 2-5/8 | 295 |
| BUS A06 | L D31L2 | 1-03 * | D28 | 2 | | N 1 | 295 |
| BUS A06 | L D32L2 | 1-04 * | D28 | 1 | | 5-7/8 | 295 |
| BUS A07 | L C30P2 | 1-01 * | D17 | 2 | | N 2-4/8 | 296 |
| BUS A07 | L D28C1 | 1-02 * | D17 | 1 | | N 2-7/8 | 296 |
| BUS A07 | L D31L1 | 1-03 * | D28 | 2 | | N 1 | 296 |
| BUS A07 | L D32L1 | 1-04 * | D28 | 1 | | 6-3/8 | 296 |
| BUS A08 | L C30N2 | 1-01 * | D17 | 1 | | N 3-3/8 | 297 |
| BUS A08 | L D31M2 | 1-02 * | D28 | 2 | | N 1 | 297 |
| BUS A08 | L D32M2 | 1-03 * | D28 | 1 | | N 3-5/8 | 297 |
| BUS A08 | L D27U2 | 1-04 * | D17 | 1 | | 8-0/8 | 297 |
| BUS A09 | L C30R1 | 1-01 * | D17 | 1 | | N 3-1/8 | 298 |
| BUS A09 | L D31M1 | 1-02 * | D28 | 2 | | N 1 | 298 |
| BUS A09 | L D32M1 | 1-03 * | D28 | 1 | | N 3-1/8 | 298 |
| BUS A09 | L D27S2 | 1-04 * | D17 | 1 | | 7-2/8 | 298 |
| BUS A10 | L C30P1 | 1-01 * | D17 | 1 | | N 3-7/8 | 299 |
| BUS A10 | L D31N2 | 1-02 * | D28 | 2 | | N 1 | 299 |
| BUS A10 | L D32N2 | 1-03 * | D28 | 1 | | N 3-1/8 | 299 |
| BUS A10 | L D27P2 | 1-04 * | D17 | 1 | | 9-0/8 | 299 |
| BUS A11 | L C30L1 | 1-01 * | D17 | 1 | | N 3-7/8 | 300 |
| BUS A11 | L D31N1 | 1-02 * | D28 | 2 | | N 1 | 300 |
| BUS A11 | L D32N1 | 1-03 * | D28 | 1 | | N 2-7/8 | 300 |
| BUS A11 | L D27M2 | 1-04 * | D17 | 1 | | 7-6/8 | 300 |
| BUS A12 | L C30C1 | 1-01 * | D17 | 1 | | N 5-1/8 | 301 |
| BUS A12 | L D27K2 | 1-02 * | D17 | 2 | | N 2-7/8 | 301 |
| BUS A12 | L D31P2 | 1-03 * | D28 | 1 | | N 1 | 301 |
| BUS A12 | L D32P2 | 1-04 * | D28 | 1 | | 9-0/8 | 301 |

| DX118.U RUN NAME | WRAPD .V35(102)-1 A/P PIN ORDER PIN | 03-JUN-77 BAY - G | DRAW RV RC Y X Z | REMARKS | 15-NOV-77 | 15148 NC LENGTH EXCEPTIONS FLAG | PAGE 31 RUN NUMBER |
|---------------------|--|----------------------|------------------|---------|-----------|---------------------------------------|-----------------------|
| BUS A13 | L C30K2 | 1-01 * | D17 | 1 | | N 3-7/8 | 302 |
| BUS A13 | L D31P1 | 1-02 * | D28 | 2 | | N 1 | 302 |
| BUS A13 | L D32P1 | 1-03 * | D28 | 1 | | N 3-3/8 | 302 |
| BUS A13 | L D27H2 | 1-04 * | D17 | 1 | | 9-2/8 | 302 |
| BUS A14 | L C30K1 | 1-01 * | D17 | 2 | | N 3-7/8 | 303 |
| BUS A14 | L D27E2 | 1-02 * | D17 | 1 | | N 3-5/8 | 303 |
| BUS A14 | L D31R2 | 1-03 * | D28 | 2 | | N 1 | 303 |
| BUS A14 | L D32R2 | 1-04 * | D28 | 1 | | 9-4/8 | 303 |
| BUS A15 | L C30D2 | 1-01 * | D17 | 2 | | N 4-3/8 | 304 |
| BUS A15 | L D27C1 | 1-02 * | D17 | 1 | | N 3-6/8 | 304 |
| BUS A15 | L D31R1 | 1-03 * | D28 | 2 | | N 1 | 304 |
| BUS A15 | L D32R1 | 1-04 * | D28 | 1 | | 9-1/8 | 304 |
| BUS A16 | L C30E2 | 1-01 * | D17 | 1 | | N 4-7/8 | 305 |
| BUS A16 | L D31S2 | 1-02 * | D28 | 2 | | N 1 | 305 |
| BUS A16 | L D32S2 | 1-03 * | D28 | 1 | | N 3-7/8 | 305 |
| BUS A16 | L D27K1 | 1-04 * | D17 | 1 | | 9-6/8 | 305 |
| BUS A17 | L C30D1 | 1-01 * | D17 | 1 | | N 4-7/8 | 306 |
| BUS A17 | L D31S1 | 1-02 * | D28 | 2 | | N 1 | 306 |
| BUS A17 | L D32S1 | 1-03 * | D28 | 1 | | N 2-7/8 | 306 |
| BUS A17 | L D27N2 | 1-04 * | D17 | 1 | | 9-6/8 | 306 |
| BUS AC LO | L D22F1 | 1-01 * | D28 | 1 | | N 1 | 307 |
| BUS AC LO | L D31F1 | 1-02 * | D28 | 2 | | N 1-7/8 | 307 |
| BUS AC LO | L D29R1 | 1-03 * | D18 | 1 | | N 10-1/8 | 307 |
| BUS AC LO | L F02H2 | 1-04 * | DX | 1 | | 21-0/8 | 307 |
| BUS B88Y | L C36D1 | 1-01 * S | D18 | 1 | | N 4-1/8 | 308 |
| BUS B88Y | L C31P2 | 1-02 * | D28 | 2 | | N 1 | 308 |
| BUS B88Y | L C32P2 | 1-03 * | D28 | 1 | | 5-1/8 | 308 |
| BUS BG 4 IN | H B28E2 | 1-01 * | D18 | 1 | | N 6-3/8 | 309 |
| BUS BG 4 IN | H D32E2 | 1-02 * | D28 | 1 | | 6-3/8 | 309 |
| BUS BG 4 OUT | H B28T2 | 1-01 * | D18 | 1 | | N 5-5/8 | 310 |
| BUS BG 4 OUT | H D31E2 | 1-02 * | D28 | 1 | | 5-5/8 | 310 |
| BUS BG 5 IN | H B28P2 | 1-01 * | D18 | 1 | | N 6-1/8 | 311 |
| BUS BG 5 IN | H D32B1 | 1-02 * | D28 | 1 | | 6-1/8 | 311 |
| BUS BG 5 OUT | H B28R2 | 1-01 * | D18 | 1 | | N 5-3/8 | 312 |
| BUS BG 5 OUT | H D31B1 | 1-02 * | D28 | 1 | | 5-3/8 | 312 |

| DX118.U RUN NAME | WRAPD .V35(102)-1 A/P PIN ORDER | 03-JUN-77 BAY - Q ORDER | 15-NOV-77 DRAW OPT | RV RG Y X Z | REMARKS | 15-48 NC LENGTH EXCEPTIONS FLAG | PAGE 32 RUN NUMBER |
|---------------------|------------------------------------|----------------------------|-----------------------|-------------|---------|---------------------------------------|-----------------------|
| BUS BG 6 IN | H B20M2 | 1-01 * | D18 | 1 | | N 6-1/8 | 313 |
| BUS BG 6 IN | H D32A1 | 1-02 * | D28 | | | 6-1/8 | 313 |
| BUS BG 6 IN | H | 1 | | | | | 313 |
| BUS BG 6 OUT | H B20M2 | 1-01 * | D18 | 1 | | N 5-3/8 | 314 |
| BUS BG 6 OUT | H D31A1 | 1-02 * | D28 | | | 5-3/8 | 314 |
| BUS BG 6 OUT | H | 1 | | | | | 314 |
| BUS BG 7 IN | H B20M2 | 1-01 * | D18 | 1 | | N 5-7/8 | 315 |
| BUS BG 7 IN | H C32V1 | 1-02 * | D28 | | | 5-7/8 | 315 |
| BUS BG 7 IN | H | 1 | | | | | 315 |
| BUS BG 7 OUT | H B20L2 | 1-01 * | D18 | 1 | | N 5-1/8 | 316 |
| BUS BG 7 OUT | H C31V1 | 1-02 * | D28 | | | 5-1/8 | 316 |
| BUS BG 7 OUT | H | 1 | | | | | 316 |
| BUS BR 4 | L B20M2 | 1-01 * | D18 | 1 | | N 6-7/8 | 317 |
| BUS BR 4 | L D31D2 | 1-02 * | D28 | 2 | | N 1 | 317 |
| BUS BR 4 | L D32D2 | 1-03 * | D28 | | | 7-7/8 | 317 |
| BUS BR 4 | L | 1 | | | | | 317 |
| BUS BR 5 | L B20F2 | 1-01 * | D18 | 1 | | N 6-3/8 | 318 |
| BUS BR 5 | L D31C1 | 1-02 * | D28 | 2 | | N | 318 |
| BUS BR 5 | L D32C1 | 1-03 * | D28 | | | 7-3/8 | 318 |
| BUS BR 5 | L | 1 | | | | | 318 |
| BUS BR 6 | L B20E2 | 1-01 * | D18 | 1 | | N 5-7/8 | 319 |
| BUS BR 6 | L C31U2 | 1-02 * | D28 | 2 | | N 1 | 319 |
| BUS BR 6 | L C32U2 | 1-03 * | D28 | | | 6-7/8 | 319 |
| BUS BR 6 | L | 1 | | | | | 319 |
| BUS BR 7 | L B20D2 | 1-01 * | D18 | 1 | | N 5-7/8 | 320 |
| BUS BR 7 | L C31T2 | 1-02 * | D28 | 2 | | N 1 | 320 |
| BUS BR 7 | L C32T2 | 1-03 * | D28 | | | 6-7/8 | 320 |
| BUS BR 7 | L | 1 | | | | | 320 |
| BUS C0 | L C30J2 | 1-01 * | D17 | 1 | | N 4-5/8 | 321 |
| BUS C0 | L D31U2 | 1-02 * | D28 | 2 | | N 1 | 321 |
| BUS C0 | L D32U2 | 1-03 * | D28 | 1 | | N 4-3/8 | 321 |
| BUS C0 | L D26K2 | 1-04 * | D18 | | | 10-0/8 | 321 |
| BUS C0 | L | 1 | | | | | 321 |
| BUS C1 | L D26D1 | 1-01 * | D18 | 2 | | N 3-7/8 | 322 |
| BUS C1 | L C30F2 | 1-02 * | D17 | 1 | | N 4-7/8 | 322 |
| BUS C1 | L D31T2 | 1-03 * | D28 | 2 | | N 1 | 322 |
| BUS C1 | L D32T2 | 1-04 * | D28 | | | 9-6/8 | 322 |
| BUS C1 | L | 1 | | | | | 322 |
| BUS D00 | L C32C1 | 1-01 * | D28 | 2 | | N 1 | 323 |
| BUS D00 | L C31C1 | 1-02 * | D28 | 1 | | N 1-5/8 | 323 |
| BUS D00 | L C29A1 | 1-03 * | D17 | 2 | | N 2-5/8 | 323 |
| BUS D00 | L C28U2 | 1-04 * | D17 | 1 | | N 3-3/8 | 323 |
| BUS D00 | L D30M2 | 1-05 * | D17 | | | 8-5/8 | 323 |
| BUS D00 | L | 1 | | | | | 323 |

| DX118.U RUN NAME | WRAPD .V35(102)-1 A/P PIN ORDER | 03-JUN-77 BAY - Q ORDER | 15-NOV-77 DRAW OPT | RV RG Y X Z | REMARKS | 15-48 NC LENGTH EXCEPTIONS FLAG | PAGE 33 RUN NUMBER |
|---------------------|------------------------------------|----------------------------|-----------------------|-------------|---------|---------------------------------------|-----------------------|
| BUS D01 | L C32D2 | 1-01 * | D28 | 2 | | N 1 | 324 |
| BUS D01 | L C31D2 | 1-02 * | D28 | 1 | | N 1-6/8 | 324 |
| BUS D01 | L C29D1 | 1-03 * | D17 | 2 | | N 2-1/8 | 324 |
| BUS D01 | L C28E2 | 1-04 * | D17 | 1 | | N 3-5/8 | 324 |
| BUS D01 | L D30N1 | 1-05 * | D17 | | | 8-4/8 | 324 |
| BUS D01 | L | 1 | | | | | 324 |
| BUS D02 | L C26E2 | 1-01 * | D18 | 1 | | N 1-7/8 | 325 |
| BUS D02 | L C28F1 | 1-02 * | D17 | 2 | | N 2-1/8 | 325 |
| BUS D02 | L C29D1 | 1-03 * | D17 | 1 | | N 1 | 325 |
| BUS D02 | L C31D1 | 1-04 * | D17 | 2 | | N 2-2/8 | 325 |
| BUS D02 | L C28P2 | 1-05 * | D17 | 1 | | N 4-1/8 | 325 |
| BUS D02 | L D30P2 | 1-06 * | D17 | | | 11-3/8 | 325 |
| BUS D02 | L | 1 | | | | | 325 |
| BUS D03 | L C26L1 | 1-01 * | D18 | 2 | | N 1-5/8 | 326 |
| BUS D03 | L C28M2 | 1-02 * | D17 | 1 | | N 0-5/8 | 326 |
| BUS D03 | L C29J1 | 1-03 * | D17 | 2 | | N 1-7/8 | 326 |
| BUS D03 | L C31E2 | 1-04 * | D28 | 1 | | N 1 | 326 |
| BUS D03 | L C32E2 | 1-05 * | D28 | 2 | | N 5-3/8 | 326 |
| BUS D03 | L D30S2 | 1-06 * | D17 | | | 10-4/8 | 326 |
| BUS D03 | L | 1 | | | | | 326 |
| BUS D04 | L C26N2 | 1-01 * | D18 | 2 | | N 1-5/8 | 327 |
| BUS D04 | L C28K2 | 1-02 * | D17 | 1 | | N 0-5/8 | 327 |
| BUS D04 | L C29L1 | 1-03 * | D17 | 2 | | N 1-5/8 | 327 |
| BUS D04 | L C31E1 | 1-04 * | D28 | 1 | | N 1 | 327 |
| BUS D04 | L C32E1 | 1-05 * | D28 | 2 | | N 5-1/8 | 327 |
| BUS D04 | L D30R1 | 1-06 * | D17 | | | 10-0/8 | 327 |
| BUS D04 | L | 1 | | | | | 327 |
| BUS D05 | L C26F1 | 1-01 * | D18 | 1 | | N 1-5/8 | 328 |
| BUS D05 | L C28H2 | 1-02 * | D17 | 2 | | N 1-2/8 | 328 |
| BUS D05 | L C29M1 | 1-03 * | D17 | 1 | | N 2-2/8 | 328 |
| BUS D05 | L C31F2 | 1-04 * | D28 | 2 | | N 1 | 328 |
| BUS D05 | L C32F2 | 1-05 * | D28 | 1 | | N 5-7/8 | 328 |
| BUS D05 | L D30V1 | 1-06 * | D17 | | | 12-0/8 | 328 |
| BUS D05 | L | 1 | | | | | 328 |
| BUS D06 | L D30C1 | 1-01 * | D17 | 2 | | N 2-1/8 | 329 |
| BUS D06 | L C29H1 | 1-02 * | D17 | 1 | | N 1-7/8 | 329 |
| BUS D06 | L C31F1 | 1-03 * | D28 | 2 | | N 1 | 329 |
| BUS D06 | L C32F1 | 1-04 * | D28 | 1 | | N 2-3/8 | 329 |
| BUS D06 | L C28E2 | 1-05 * | D17 | 2 | | N 1-3/8 | 329 |
| BUS D06 | L C26F2 | 1-06 * | D18 | | | 8-6/8 | 329 |
| BUS D06 | L | 1 | | | | | 329 |
| BUS D07 | L C26H1 | 1-01 * | D18 | 2 | | N 1-7/8 | 330 |
| BUS D07 | L C28C1 | 1-02 * | D17 | 1 | | N 2-5/8 | 330 |
| BUS D07 | L C31H2 | 1-03 * | D28 | 2 | | N 1 | 330 |
| BUS D07 | L C32H2 | 1-04 * | D28 | 1 | | N 2-5/8 | 330 |
| BUS D07 | L C29V1 | 1-05 * | D17 | 2 | | N 2-5/8 | 330 |
| BUS D07 | L D30K2 | 1-06 * | D17 | | | 10-6/8 | 330 |
| BUS D07 | L | 1 | | | | | 330 |

78

| DX11B-U RUN NAME | WPAPP .V35(102)-1 03-JUN-77 | | 15-NOV-77 | | PAGE 34 | | | | | | |
|---------------------|-----------------------------|----------|-----------|---------|---------|---------|-----|---------|----------------------------|------------|---------------|
| | A/P | PIN NAME | ORDER | BAY - Q | DRAW | RV RG Y | X Z | REMARKS | 15148 NC LENGTH FLAG | EXCEPTIONS | RUN NUMBER |
| BUS D00 | L | C76K1 | 1-01 * | 6 | D18 | 1-01 * | 1 | | N | 1-6/8 | 331 |
| BUS D00 | L | C27U2 | 1-02 * | | D17 | 1-02 * | 2 | | N | 2-7/8 | 331 |
| BUS D00 | L | C29C1 | 1-03 * | | D17 | 1-03 * | 2 | | N | 2-3/8 | 331 |
| BUS D00 | L | C32H1 | 1-04 * | | D28 | 1-04 * | 1 | | N | 1-1/8 | 331 |
| BUS D00 | L | C31H1 | 1-05 * | | D28 | 1-05 * | 1 | | N | 3-7/8 | 331 |
| BUS D00 | L | D30U1 | 1-06 * | | D17 | 1-06 * | 1 | | N | 1-1/8 | 331 |
| BUS D09 | L | C32J2 | 1-01 * | | D20 | 1-01 * | 2 | | N | 1-1/8 | 332 |
| BUS D09 | L | C31U2 | 1-02 * | | D17 | 1-02 * | 1 | | N | 1-7/8 | 332 |
| BUS D09 | L | C29E2 | 1-03 * | | D17 | 1-03 * | 2 | | N | 2-1/8 | 332 |
| BUS D09 | L | C27S2 | 1-04 * | | D17 | 1-04 * | 1 | | N | 4-7/8 | 332 |
| BUS D09 | L | D30U2 | 1-05 * | | D17 | 1-05 * | 1 | | N | 9-7/8 | 332 |
| BUS D10 | L | C32J1 | 1-01 * | | D28 | 1-01 * | 2 | | N | 1-1/8 | 333 |
| BUS D10 | L | C31J1 | 1-02 * | | D28 | 1-02 * | 1 | | N | 1-3/8 | 333 |
| BUS D10 | L | C29H2 | 1-03 * | | D17 | 1-03 * | 2 | | N | 1-6/8 | 333 |
| BUS D10 | L | C27P2 | 1-04 * | | D17 | 1-04 * | 1 | | N | 2-2/8 | 333 |
| BUS D10 | L | D30A1 | 1-05 * | | D17 | 1-05 * | 1 | | N | 6-3/8 | 333 |
| BUS D11 | L | C32K2 | 1-01 * | | D28 | 1-01 * | 2 | | N | 1-1/8 | 334 |
| BUS D11 | L | C31K2 | 1-02 * | | D28 | 1-02 * | 1 | | N | 1-4/8 | 334 |
| BUS D11 | L | C29K2 | 1-03 * | | D17 | 1-03 * | 2 | | N | 1-5/8 | 334 |
| BUS D11 | L | C27M2 | 1-04 * | | D17 | 1-04 * | 1 | | N | 3-2/8 | 334 |
| BUS D11 | L | D30E2 | 1-05 * | | D17 | 1-05 * | 1 | | N | 7-3/8 | 334 |
| BUS D12 | L | C27K2 | 1-01 * | | D17 | 1-01 * | 2 | | N | 1-5/8 | 335 |
| BUS D12 | L | C29M2 | 1-02 * | | D17 | 1-02 * | 1 | | N | 1-3/8 | 335 |
| BUS D12 | L | C31K1 | 1-03 * | | D28 | 1-03 * | 2 | | N | 1-1/8 | 335 |
| BUS D12 | L | C32K1 | 1-04 * | | D28 | 1-04 * | 1 | | N | 3-3/8 | 335 |
| BUS D12 | L | D30D1 | 1-05 * | | D17 | 1-05 * | 1 | | N | 7-3/8 | 335 |
| BUS D13 | L | C27H2 | 1-01 * | | D17 | 1-01 * | 2 | | N | 1-6/8 | 336 |
| BUS D13 | L | C29P2 | 1-02 * | | D17 | 1-02 * | 1 | | N | 1-7/8 | 336 |
| BUS D13 | L | C31L2 | 1-03 * | | D28 | 1-03 * | 2 | | N | 1-1/8 | 336 |
| BUS D13 | L | C32L2 | 1-04 * | | D28 | 1-04 * | 1 | | N | 3-7/8 | 336 |
| BUS D13 | L | D30H2 | 1-05 * | | D17 | 1-05 * | 1 | | N | 8-4/8 | 336 |
| BUS D14 | L | C27E2 | 1-01 * | | D17 | 1-01 * | 2 | | N | 2-1/8 | 337 |
| BUS D14 | L | C29E2 | 1-02 * | | D17 | 1-02 * | 1 | | N | 1-5/8 | 337 |
| BUS D14 | L | C31L1 | 1-03 * | | D28 | 1-03 * | 2 | | N | 1-1/8 | 337 |
| BUS D14 | L | C32L1 | 1-04 * | | D28 | 1-04 * | 1 | | N | 3-5/8 | 337 |
| BUS D14 | L | D30F1 | 1-05 * | | D17 | 1-05 * | 1 | | N | 8-3/8 | 337 |
| BUS D15 | L | C27C1 | 1-01 * | | D17 | 1-01 * | 1 | | N | 4-1/8 | 338 |
| BUS D15 | L | C32M2 | 1-02 * | | D28 | 1-02 * | 2 | | N | 1-1/8 | 338 |
| BUS D15 | L | C31M2 | 1-03 * | | D28 | 1-03 * | 1 | | N | 1-6/8 | 338 |
| BUS D15 | L | C29U2 | 1-04 * | | D17 | 1-04 * | 2 | | N | 2-3/8 | 338 |
| BUS D15 | L | D30U1 | 1-05 * | | D17 | 1-05 * | 1 | | N | 9-2/8 | 338 |

| DX11B.U RUN NAME | WRAPP .V35(102)-1 03-JUN-77 | | 15-NOV-77 | | PAGE 35 | | | | | | |
|---------------------|-----------------------------|----------|-----------|---------|---------|---------|-----|---------|----------------------------|------------|---------------|
| | A/P | PIN NAME | ORDER | BAY - Q | DRAW | RV RG Y | X Z | REMARKS | 15148 NC LENGTH FLAG | EXCEPTIONS | RUN NUMBER |
| BUS DC LO | L | D32F2 | 1-01 * | | D28 | 1-01 * | 1 | | N | 1 | 339 |
| BUS DC LO | L | D31F2 | 1-02 * | | D28 | 1-02 * | 2 | | N | 2-4/8 | 339 |
| BUS DC LO | L | D29V1 | 1-03 * | | D18 | 1-03 * | 1 | | N | 17-5/8 | 339 |
| BUS DC LO | L | F02U2 | 1-04 * | | DXX | 1-04 * | 1 | | N | 21-1/8 | 339 |
| BUS IN 0 | L | H07K2 | 1-01 * | | DXX | 1-01 * | 2 | | N | 1 | 340 |
| BUS IN 0 | L | H08K2 | 1-02 * | | DXX | 1-02 * | 1 | | N | 1-7/8 | 340 |
| BUS IN 0 | L | H10F2 | 1-03 * | | DXX | 1-03 * | 1 | | N | 2-7/8 | 340 |
| BUS IN 1 | L | H07M2 | 1-01 * | | DXX | 1-01 * | 2 | | N | 1 | 341 |
| BUS IN 1 | L | H08M2 | 1-02 * | | DXX | 1-02 * | 1 | | N | 1-7/8 | 341 |
| BUS IN 1 | L | H10D2 | 1-03 * | | DXX | 1-03 * | 1 | | N | 2-7/8 | 341 |
| BUS IN 2 | L | H07G2 | 1-01 * | | DXX | 1-01 * | 2 | | N | 1 | 342 |
| BUS IN 2 | L | H08G2 | 1-02 * | | DXX | 1-02 * | 1 | | N | 1-5/8 | 342 |
| BUS IN 2 | L | H10E2 | 1-03 * | | DXX | 1-03 * | 1 | | N | 2-5/8 | 342 |
| BUS IN 3 | L | H07I2 | 1-01 * | | DXX | 1-01 * | 2 | | N | 1 | 343 |
| BUS IN 3 | L | H08I2 | 1-02 * | | DXX | 1-02 * | 1 | | N | 1-5/8 | 343 |
| BUS IN 3 | L | H10H2 | 1-03 * | | DXX | 1-03 * | 1 | | N | 2-5/8 | 343 |
| BUS IN 4 | L | H07V2 | 1-01 * | | DXX | 1-01 * | 2 | | N | 1 | 344 |
| BUS IN 4 | L | H08V2 | 1-02 * | | DXX | 1-02 * | 1 | | N | 1-3/8 | 344 |
| BUS IN 4 | L | H09F2 | 1-03 * | | DXX | 1-03 * | 1 | | N | 3-3/8 | 344 |
| BUS IN 5 | L | H07J1 | 1-01 * | | DXX | 1-01 * | 2 | | N | 1 | 345 |
| BUS IN 5 | L | H08J1 | 1-02 * | | DXX | 1-02 * | 1 | | N | 1-3/8 | 345 |
| BUS IN 5 | L | H09D2 | 1-03 * | | DXX | 1-03 * | 1 | | N | 2-3/8 | 345 |
| BUS IN 6 | L | H07N1 | 1-01 * | | DXX | 1-01 * | 2 | | N | 1 | 346 |
| BUS IN 6 | L | H08N1 | 1-02 * | | DXX | 1-02 * | 1 | | N | 1-3/8 | 346 |
| BUS IN 6 | L | H09P2 | 1-03 * | | DXX | 1-03 * | 1 | | N | 2-3/8 | 346 |
| BUS IN 7 | L | H07P1 | 1-01 * | | DXX | 1-01 * | 2 | | N | 1 | 347 |
| BUS IN 7 | L | H08P1 | 1-02 * | | DXX | 1-02 * | 1 | | N | 1-3/8 | 347 |
| BUS IN 7 | L | H09M2 | 1-03 * | | DXX | 1-03 * | 1 | | N | 2-3/8 | 347 |
| BUS IN P | L | H07D2 | 1-01 * | | DXX | 1-01 * | 2 | | N | 1 | 348 |
| BUS IN P | L | H08D2 | 1-02 * | | DXX | 1-02 * | 1 | | N | 1-1/8 | 348 |
| BUS IN P | L | H11F2 | 1-03 * | | DXX | 1-03 * | 1 | | N | 3-1/8 | 348 |
| BUS INIT | L | C32A1 | 1-01 * | | D28 | 1-01 * | 2 | | N | 1 | 349 |
| BUS INIT | L | C31A1 | 1-02 * | | D28 | 1-02 * | 1 | | N | 5-3/8 | 349 |
| BUS INIT | L | D29N1 | 1-03 * | | D18 | 1-03 * | 1 | | N | 6-3/8 | 349 |

| DX11B,U RUN NAME | A/P | PIN NAME | ORDER PIN | BAY - ORDER | Q | DRAW | RV | RG | Y | X | Z | REMARKS | 15-NOV-77 | 15148 NC LENGTH FLAG | PAGE 36 EXCEPTIONS | RUN NUMBER |
|---------------------|-----|-------------|--------------|----------------|---|------|----|----|---|---|---|---------|-----------|----------------------------|-----------------------|---------------|
| BUS INTR | L | C26M1 | 1-01 * | S | | D18 | | | | | 1 | | | N | 4-1/8 | 350 |
| BUS INTR | L | C31B1 | 1-02 * | | | D28 | | | | | 2 | | | N | 1 | 350 |
| BUS INTR | L | C32B1 | 1-03 * | | | D28 | | | | | 2 | | | N | 5-1/8 | 350 |
| BUS MSYN | L | D26E1 | 1-01 * | S | | D18 | | | | | 2 | | | N | 4-5/8 | 351 |
| BUS MSYN | L | C30E1 | 1-02 * | | | D17 | | | | | 1 | | | N | 5-3/8 | 351 |
| BUS MSYN | L | D31V1 | 1-03 * | | | D28 | | | | | 2 | | | N | 1 | 351 |
| BUS MSYN | L | D32V1 | 1-04 * | | | D28 | | | | | 2 | | | N | 1 | 351 |
| BUS NPG IN | H | C26B1 | 1-01 * | | | D18 | | | | | 1 | | | N | 5 | 352 |
| BUS NPG IN | H | C32U1 | 1-02 * | | | D28 | | | | | 1 | | | N | 5-0/8 | 352 |
| BUS NPG OUT | H | C26V2 | 1-01 * | S | | D18 | | | | | 1 | | | N | 2-5/8 | 353 |
| BUS NPG OUT | H | C31U1 | 1-02 * | | | D28 | | | | | 1 | | | N | 2-5/8 | 353 |
| BUS NPG OUT | H | C26U2 | 1-01 * | S | | D18 | | | | | 2 | | | N | 1-5/8 | 354 |
| BUS NPG OUT | L | C26J1 | 1-02 * | | | D18 | | | | | 1 | | | N | 3-7/8 | 354 |
| BUS NPG OUT | L | C31S2 | 1-03 * | | | D28 | | | | | 2 | | | N | 1 | 354 |
| BUS NPG OUT | L | C32S2 | 1-04 * | | | D28 | | | | | 2 | | | N | 1 | 354 |
| BUS OUT 0 | H | J07K2 | 1-01 * | | | D27 | | | | | 2 | | | N | 1 | 355 |
| BUS OUT 0 | H | J08K2 | 1-02 * | | | D27 | | | | | 1 | | | N | 1-3/8 | 355 |
| BUS OUT 0 | H | J10H1 | 1-03 * | | | D27 | | | | | 1 | | | N | 2-3/8 | 355 |
| BUS OUT 1 | H | J07M2 | 1-01 * | | | D27 | | | | | 2 | | | N | 1 | 356 |
| BUS OUT 1 | H | J08M2 | 1-02 * | | | D27 | | | | | 1 | | | N | 1-5/8 | 356 |
| BUS OUT 1 | H | J10R1 | 1-03 * | | | D27 | | | | | 1 | | | N | 2-5/8 | 356 |
| BUS OUT 2 | H | J07P2 | 1-01 * | | | D27 | | | | | 2 | | | N | 1 | 357 |
| BUS OUT 2 | H | J08P2 | 1-02 * | | | D27 | | | | | 1 | | | N | 1-7/8 | 357 |
| BUS OUT 2 | H | J10L2 | 1-03 * | | | D27 | | | | | 1 | | | N | 2-7/8 | 357 |
| BUS OUT 3 | H | J07T2 | 1-01 * | | | D27 | | | | | 2 | | | N | 1 | 358 |
| BUS OUT 3 | H | J08T2 | 1-02 * | | | D27 | | | | | 1 | | | N | 1-5/8 | 358 |
| BUS OUT 3 | H | J10V2 | 1-03 * | | | D27 | | | | | 1 | | | N | 2-5/8 | 358 |
| BUS OUT 4 | H | J07V2 | 1-01 * | | | D27 | | | | | 2 | | | N | 1 | 359 |
| BUS OUT 4 | H | J08V2 | 1-02 * | | | D27 | | | | | 1 | | | N | 1-7/8 | 359 |
| BUS OUT 4 | H | J09V1 | 1-03 * | | | D27 | | | | | 1 | | | N | 2-7/8 | 359 |
| BUS OUT 5 | H | J07J1 | 1-01 * | | | D27 | | | | | 2 | | | N | 1 | 360 |
| BUS OUT 5 | H | J08J1 | 1-02 * | | | D27 | | | | | 1 | | | N | 1-3/8 | 360 |
| BUS OUT 5 | H | J09R1 | 1-03 * | | | D27 | | | | | 1 | | | N | 2-3/8 | 360 |

| DX11B,U RUN NAME | A/P | PIN NAME | ORDER PIN | BAY - ORDER | Q | DRAW | RV | RG | Y | X | Z | REMARKS | 15-NOV-77 | 15148 NC LENGTH FLAG | PAGE 37 EXCEPTIONS | RUN NUMBER |
|---------------------|-----|-------------|--------------|----------------|---|------|----|----|---|---|---|---------|-----------|----------------------------|-----------------------|---------------|
| BUS OUT 6 | L | J07M1 | 1-01 * | | | D27 | | | | | 2 | | | N | 1 | 361 |
| BUS OUT 6 | L | J08M1 | 1-02 * | | | D27 | | | | | 1 | | | N | 1-3/8 | 361 |
| BUS OUT 6 | L | J09L2 | 1-03 * | | | D27 | | | | | 1 | | | N | 2-3/8 | 361 |
| BUS OUT 7 | L | J07P1 | 1-01 * | | | DXX | | | | | 2 | | | N | 1 | 362 |
| BUS OUT 7 | L | J08P1 | 1-02 * | | | DXX | | | | | 1 | | | N | 1-5/8 | 362 |
| BUS OUT 7 | L | J09V2 | 1-03 * | | | DXX | | | | | 1 | | | N | 2-5/8 | 362 |
| BUS OUT P | L | J07D2 | 1-01 * | | | DXX | | | | | 2 | | | N | 1 | 363 |
| BUS OUT P | L | J08D2 | 1-02 * | | | DXX | | | | | 1 | | | N | 2-7/8 | 363 |
| BUS OUT P | L | J13H1 | 1-03 * | | | DXX | | | | | 1 | | | N | 3-7/8 | 363 |
| BUS PA | L | C31M1 | 1-01 * | | | D28 | | | | | 1 | | | N | 1 | 364 |
| BUS PA | L | C32M1 | 1-02 * | | | D28 | | | | | 1 | | | N | 1-0/8 | 364 |
| BUS PB | L | C31N2 | 1-01 * | | | D28 | | | | | 1 | | | N | 1 | 365 |
| BUS PB | L | C32N2 | 1-02 * | | | D28 | | | | | 1 | | | N | 1-0/8 | 365 |
| BUS SACK | L | C26T2 | 1-01 * | S | | D18 | | | | | 1 | | | N | 3-1/8 | 366 |
| BUS SACK | L | C31R2 | 1-02 * | | | D28 | | | | | 2 | | | N | 1 | 366 |
| BUS SACK | L | C32R2 | 1-03 * | | | D28 | | | | | 1 | | | N | 4-1/8 | 366 |
| BUS SSYN | L | D27T2 | 1-01 * | | | D17 | | | | | 2 | | | N | 1-4/8 | 367 |
| BUS SSYN | L | D29L1 | 1-02 * | | | D18 | | | | | 1 | | | N | 1-6/8 | 367 |
| BUS SSYN | L | D31U1 | 1-03 * | | | D28 | | | | | 2 | | | N | 1 | 367 |
| BUS SSYN | L | D32U1 | 1-04 * | | | D28 | | | | | 2 | | | N | 1 | 367 |
| BUSI 00(0) | H | C10S2 | 1-01 * | S | | D13 | | | | | 2 | | | N | 4-2/8 | 368 |
| BUSI 00(0) | H | A22T2 | 1-02 * | | | D26 | | | | | 1 | | | N | 9-5/8 | 368 |
| BUSI 00(0) | H | H21R2 | 1-03 * | | | DXX | | | | | 1 | | | N | 16-3/8 | 368 |
| BUSI 00(1) | H | C10R2 | 1-01 * | S | | D13 | | | | | 1 | | | N | 26-0/8 | 368 |
| BUSI 00(1) | H | A22N2 | 1-02 * | | | D26 | | | | | 2 | | | N | 9 | 369 |
| BUSI 00(1) | H | A31V2 | 1-03 * | | | D22 | | | | | 2 | | | N | 5-5/8 | 369 |
| BUSI 00(1) | H | H09P1 | 1-04 * | | | DXX | | | | | 1 | | | N | 25-1/8 | 369 |
| BUSI 01(0) | H | C11S2 | 1-01 * | S | | D13 | | | | | 2 | | | N | 39-6/8 | 369 |
| BUSI 01(0) | H | A22S2 | 1-02 * | | | D26 | | | | | 1 | | | N | 8-1/8 | 370 |
| BUSI 01(0) | H | H21H2 | 1-03 * | | | DXX | | | | | 1 | | | N | 15-5/8 | 370 |
| BUSI 01(1) | H | A31U2 | 1-01 * | | | D22 | | | | | 2 | | | N | 23-6/8 | 370 |
| BUSI 01(1) | H | E01H1 | 1-02 * | | | D05 | | | | | 2 | | | N | 5-5/8 | 371 |
| BUSI 01(1) | H | H09U2 | 1-03 * | | | DXX | | | | | 1 | | | N | 15-7/8 | 371 |
| BUSI 01(1) | H | C11R2 | 1-04 * | S | | D13 | | | | | 1 | | | N | 11-1/8 | 371 |
| BUSI 01(1) | H | A22H2 | 1-05 * | | | D26 | | | | | 1 | | | N | 12-3/8 | 371 |

80

| DX118.U RUN NAME | WRAPD .V35(102)-1 A/P PIN ORDER PIN | 03-JUN-77 RAY - Q DRAW OPT | RV RG Y X Z | REMARKS | 15-NOV-77 | 19148 NC LENGTH FLAG | PAGE 38 EXCEPTIONS | RUN NUMBER |
|---------------------|--|-------------------------------|-------------|---------|-----------|----------------------------|-----------------------|---------------|
| SUSI 02(0) | H C1282 | 1-01 * S D13 | 2 | | | N 7-7/8 | | 372 |
| SUSI 02(0) | H A22R2 | 1-02 * D26 | 1 | | | N 17-3/8 | | 372 |
| SUSI 02(0) | H H21V1 | 1-03 * DXX | 1 | | | 25-2/8 | | 372 |
| SUSI 02(1) | H C12R2 | 1-01 * S D13 | 1 | | | N 0-7/8 | | 373 |
| SUSI 02(1) | H A22L2 | 1-02 * D26 | 2 | | | N 5-5/8 | | 373 |
| SUSI 02(1) | H A31T2 | 1-03 * D22 | 1 | | | N 23-6/8 | | 373 |
| SUSI 02(1) | H H09F1 | 1-04 * DXX | 1 | | | 30-2/8 | | 373 |
| SUSI 03(0) | H C1382 | 1-01 * S D13 | 2 | | | N 0-6/8 | | 374 |
| SUSI 03(0) | H A22P2 | 1-02 * D26 | 1 | | | N 16-3/8 | | 374 |
| SUSI 03(0) | H H21L1 | 1-03 * DXX | 1 | | | 25-1/8 | | 374 |
| SUSI 03(1) | H A31B2 | 1-01 * S D22 | 2 | | | N 5-5/8 | | 375 |
| SUSI 03(1) | H A22K2 | 1-02 * D26 | 1 | | | N 15-6/8 | | 375 |
| SUSI 03(1) | H E01D1 | 1-03 * D05 | 2 | | | N 10 | | 376 |
| SUSI 03(1) | H H09K2 | 1-04 * DXX | 1 | | | N 12-3/8 | | 376 |
| SUSI 03(1) | H C13R2 | 1-05 * S D13 | 1 | | | 43-6/8 | | 375 |
| SUSI 04(0) | H C1482 | 1-01 * S D13 | 2 | | | N 10-3/8 | | 376 |
| SUSI 04(0) | H A22J1 | 1-02 * D26 | 1 | | | N 17-5/8 | | 376 |
| SUSI 04(0) | H H20R2 | 1-03 * DXX | 1 | | | 20-0/8 | | 376 |
| SUSI 04(1) | H A31P2 | 1-01 * S D22 | 2 | | | N 6-3/8 | | 377 |
| SUSI 04(1) | H A22D1 | 1-02 * D26 | 1 | | | N 16-5/8 | | 377 |
| SUSI 04(1) | H E01L1 | 1-03 * D05 | 2 | | | N 9-1/8 | | 377 |
| SUSI 04(1) | H H10P1 | 1-04 * DXX | 1 | | | N 13-1/8 | | 377 |
| SUSI 04(1) | H C14R2 | 1-05 * S D13 | 1 | | | 45-2/8 | | 377 |
| SUSI 05(0) | H C1582 | 1-01 * S D13 | 2 | | | N 9-7/8 | | 378 |
| SUSI 05(0) | H A22H1 | 1-02 * D26 | 1 | | | N 16-7/8 | | 378 |
| SUSI 05(0) | H H20H2 | 1-03 * DXX | 1 | | | 26-6/8 | | 378 |
| SUSI 05(1) | H C15R2 | 1-01 * S D13 | 1 | | | N 13-5/8 | | 379 |
| SUSI 05(1) | H A31P2 | 1-02 * D22 | 2 | | | N 6-3/8 | | 379 |
| SUSI 05(1) | H A22C1 | 1-03 * D26 | 1 | | | N 23-5/8 | | 379 |
| SUSI 05(1) | H H10U2 | 1-04 * DXX | 1 | | | 43-5/8 | | 379 |
| SUSI 06(0) | H C1682 | 1-01 * S D13 | 2 | | | N 9-5/8 | | 380 |
| SUSI 06(0) | H A22F1 | 1-02 * D26 | 1 | | | N 18-5/8 | | 380 |
| SUSI 06(0) | H H20V1 | 1-03 * DXX | 1 | | | 20-2/8 | | 380 |

| DX118.U RUN NAME | WRAPD .V35(102)-1 A/P PIN ORDER PIN | 03-JUN-77 RAY - Q DRAW OPT | RV RG Y X Z | REMARKS | 15-NOV-77 | 15148 NC LENGTH FLAG | PAGE 39 EXCEPTIONS | RUN NUMBER |
|---------------------|--|-------------------------------|-------------|---------|-----------|----------------------------|-----------------------|---------------|
| SUSI 06(1) | H C16R2 | 1-01 * S D13 | 1 | | | N 12-5/8 | | 381 |
| SUSI 06(1) | H A31N2 | 1-02 * D22 | 2 | | | N 6-3/8 | | 381 |
| SUSI 06(1) | H A22B1 | 1-03 * D26 | 1 | | | N 22-5/8 | | 381 |
| SUSI 06(1) | H H10F1 | 1-04 * DXX | 1 | | | 41-5/8 | | 381 |
| SUSI 07(0) | H C1782 | 1-01 * S D13 | 2 | | | N 9-1/8 | | 382 |
| SUSI 07(0) | H A22E1 | 1-02 * D26 | 1 | | | N 17-5/8 | | 382 |
| SUSI 07(0) | H H20L1 | 1-03 * DXX | 1 | | | 26-6/8 | | 382 |
| SUSI 07(1) | H C17R2 | 1-01 * S D13 | 1 | | | N 10-7/8 | | 383 |
| SUSI 07(1) | H A31M2 | 1-02 * D22 | 2 | | | N 6-3/8 | | 383 |
| SUSI 07(1) | H A22A1 | 1-03 * D26 | 1 | | | N 22-7/8 | | 383 |
| SUSI 07(1) | H H10K2 | 1-04 * DXX | 1 | | | 40-1/8 | | 383 |
| SUSO 00 | H A31V1 | 1-01 * S D22 | 1 | | | N 5-7/8 | | 384 |
| SUSO 00 | H A31N2 | 1-02 * D26 | 2 | | | N 2-5/8 | | 384 |
| SUSO 00 | H B22D2 | 1-03 * D26 | 1 | | | N 4-1/8 | | 384 |
| SUSO 00 | H B15F2 | 1-04 * D16 | 2 | | | N 2-6/8 | | 384 |
| SUSO 00 | H B11F1 | 1-05 * D15 | 1 | | | N 7-3/8 | | 384 |
| SUSO 00 | H D10S1 | 1-06 * D19 | 2 | | | N 3-3/8 | | 384 |
| SUSO 00 | H E06C1 | 1-07 * D27 | 1 | | | N 3-3/8 | | 384 |
| SUSO 00 | H E10V1 | 1-08 * D09 | 2 | | | N 0-1/8 | | 384 |
| SUSO 00 | H J09P2 | 1-09 * DXX | 1 | | | 37-5/8 | | 384 |
| SUSO 00 | L A31T2 | 1-01 * D26 | 2 | | | N 2-3/8 | | 385 |
| SUSO 00 | L B22F2 | 1-02 * D26 | 1 | | | N 11-6/8 | | 385 |
| SUSO 00 | L E06D2 | 1-03 * S D27 | 1 | | | 14-1/8 | | 385 |
| SUSO 01 | H A31U1 | 1-01 * D22 | 1 | | | N 5-7/8 | | 386 |
| SUSO 01 | H A31M2 | 1-02 * D26 | 2 | | | N 3-3/8 | | 386 |
| SUSO 01 | H B22M1 | 1-03 * D26 | 1 | | | N 4-1/8 | | 386 |
| SUSO 01 | H B15P1 | 1-04 * D16 | 2 | | | N 3-2/8 | | 386 |
| SUSO 01 | H B11A1 | 1-05 * D15 | 1 | | | N 7-4/8 | | 386 |
| SUSO 01 | H D11S1 | 1-06 * D19 | 2 | | | N 4-1/8 | | 386 |
| SUSO 01 | H D04U1 | 1-07 * D07 | 1 | | | N 4-1/8 | | 386 |
| SUSO 01 | H E06V1 | 1-08 * D27 | 2 | | | N 2-5/8 | | 386 |
| SUSO 01 | H E10S1 | 1-09 * D09 | 1 | | | N 7-3/8 | | 386 |
| SUSO 01 | H J09P2 | 1-10 * DXX | 1 | | | 42-3/8 | | 386 |
| SUSO 01 | L A31B2 | 1-01 * D26 | 2 | | | N 3-1/8 | | 387 |
| SUSO 01 | L B22P1 | 1-02 * D26 | 1 | | | N 12 | | 387 |
| SUSO 01 | L E06U1 | 1-03 * S D27 | 1 | | | 19-1/8 | | 387 |

| DX11B.U RUN NAME | WRAPD .V35(102)-1 A/P PIN ORDER PIN | 03-JUN-77 BAY - G | DRAW OPT | RV RG Y X Z | REMARKS | 15-NOV-77 | 15148 NC LENGTH EXCEPTIONS FLAG | PAGE 40 | RUN NUMBER |
|---------------------|--|----------------------|----------|-------------|---------|-----------|---------------------------------------|---------|---------------|
| BUS0 02 | A31T1 | 1-01 * | D22 | | | | N 5-7/8 | | 388 |
| BUS0 02 | A21L2 | 1-02 * | D26 | | | | N 2-7/8 | | 388 |
| BUS0 02 | B22F1 | 1-03 * | D26 | | | | N 4-1/8 | | 388 |
| BUS0 02 | B15J1 | 1-04 * | D16 | | | | N 2-2/8 | | 388 |
| BUS0 02 | B12R2 | 1-05 * | D15 | | | | N 6-1/8 | | 388 |
| BUS0 02 | D12S1 | 1-06 * | D19 | | | | N 4-1/8 | | 388 |
| BUS0 02 | D05U1 | 1-07 * | D07 | | | | N 3-1/8 | | 388 |
| BUS0 02 | E06R1 | 1-08 * | D27 | | | | N 3-1/8 | | 388 |
| BUS0 02 | E10L2 | 1-09 * | D09 | | | | N 9-5/8 | | 388 |
| BUS0 02 | J09P1 | 1-10 * | DXX | | | | 41-2/8 | | 388 |
| BUS0 02 | A21R2 | 1-01 * | D26 | 2 | | | N 2-5/8 | | 389 |
| BUS0 02 | B22J1 | 1-02 * | D26 | 1 | | | N 12-5/8 | | 389 |
| BUS0 02 | E06S1 | 1-03 * S | D27 | | | | 15-2/8 | | 389 |
| BUS0 03 | A31S1 | 1-01 * | D22 | 1 | | | N 5-7/8 | | 390 |
| BUS0 03 | A21K2 | 1-02 * | D26 | 2 | | | N 2-3/8 | | 390 |
| BUS0 03 | B22A1 | 1-03 * | D16 | 1 | | | N 4-1/8 | | 390 |
| BUS0 03 | B15C1 | 1-04 * | D16 | 2 | | | N 2-2/8 | | 390 |
| BUS0 03 | B12K2 | 1-05 * | D15 | 1 | | | N 6-5/8 | | 390 |
| BUS0 03 | D13S1 | 1-06 * | D19 | 2 | | | N 2-5/8 | | 390 |
| BUS0 03 | E10H1 | 1-07 * | D09 | 1 | | | N 3-4/8 | | 390 |
| BUS0 03 | D06U1 | 1-08 * | D07 | 2 | | | N 2-3/8 | | 390 |
| BUS0 03 | E06N1 | 1-09 * | D27 | 1 | | | N 9-1/8 | | 390 |
| BUS0 03 | J09P1 | 1-10 * | DXX | | | | 38-7/8 | | 390 |
| BUS0 03 | A21P2 | 1-01 * | D26 | 2 | | | N 2-1/8 | | 391 |
| BUS0 03 | B22C1 | 1-02 * | D26 | 1 | | | N 13-6/8 | | 391 |
| BUS0 03 | E06P1 | 1-03 * S | D27 | | | | 15-7/8 | | 391 |
| BUS0 04 | A28A1 | 1-01 * | D22 | 2 | | | N 2-6/8 | | 392 |
| BUS0 04 | A31R1 | 1-02 * | D26 | 1 | | | N 6-5/8 | | 392 |
| BUS0 04 | A21D1 | 1-03 * | D26 | 2 | | | N 1-9/8 | | 392 |
| BUS0 04 | A19F1 | 1-04 * | D26 | 1 | | | N 5-2/8 | | 392 |
| BUS0 04 | B12D2 | 1-05 * | D15 | 2 | | | N 2-3/8 | | 392 |
| BUS0 04 | B11T2 | 1-06 * | D16 | 1 | | | N 6-5/8 | | 392 |
| BUS0 04 | D14S1 | 1-07 * | D19 | 2 | | | N 5-7/8 | | 392 |
| BUS0 04 | D03R1 | 1-08 * | D07 | 1 | | | N 3-2/8 | | 392 |
| BUS0 04 | E06L1 | 1-09 * | D27 | 2 | | | N 2-5/8 | | 392 |
| BUS0 04 | E09V1 | 1-10 * | D09 | 1 | | | N 8-3/8 | | 392 |
| BUS0 04 | J10P2 | 1-11 * | DXX | | | | 45-3/8 | | 392 |
| BUS0 04 | A28C1 | 1-01 * | D26 | 2 | | | N 4-3/8 | | 393 |
| BUS0 04 | A21J1 | 1-02 * | D26 | 1 | | | N 18-5/8 | | 393 |
| BUS0 04 | E06M1 | 1-03 * S | D27 | | | | 23-0/8 | | 393 |

| DX11B.U RUN NAME | WRAPD .V35(102)-1 A/P PIN ORDER PIN | 03-JUN-77 BAY - G | DRAW OPT | RV RG Y X Z | REMARKS | 15-NOV-77 | 15148 NC LENGTH EXCEPTIONS FLAG | PAGE 41 | RUN NUMBER |
|---------------------|--|----------------------|----------|-------------|---------|-----------|---------------------------------------|---------|---------------|
| BUS0 05 | A31P1 | 1-01 * | D22 | 2 | | | N 2-3/8 | | 394 |
| BUS0 05 | A28F1 | 1-02 * | D26 | 1 | | | N 4-3/8 | | 394 |
| BUS0 05 | A21C1 | 1-03 * | D26 | 2 | | | N 1-7/8 | | 394 |
| BUS0 05 | A19H1 | 1-04 * | D26 | 1 | | | N 5-2/8 | | 394 |
| BUS0 05 | B11M1 | 1-05 * | D15 | 2 | | | N 0-4/8 | | 394 |
| BUS0 05 | B11N2 | 1-06 * | D16 | 1 | | | N 7-7/8 | | 394 |
| BUS0 05 | D15S1 | 1-07 * | D19 | 2 | | | N 5-7/8 | | 394 |
| BUS0 05 | D04R1 | 1-08 * | D07 | 1 | | | N 3-1/8 | | 394 |
| BUS0 05 | E06J1 | 1-09 * | D27 | 2 | | | N 2-3/8 | | 394 |
| BUS0 05 | E09S1 | 1-10 * | D09 | 1 | | | N 8-1/8 | | 394 |
| BUS0 05 | J10P2 | 1-11 * | DXX | | | | 41-6/8 | | 394 |
| BUS0 05 | A28J1 | 1-01 * | D22 | 2 | | | N 4-1/8 | | 395 |
| BUS0 05 | A21H1 | 1-02 * | D26 | 1 | | | N 18-3/8 | | 395 |
| BUS0 05 | E06K1 | 1-03 * S | D27 | | | | 22-4/8 | | 395 |
| BUS0 06 | A31N1 | 1-01 * | D22 | 2 | | | N 2-1/8 | | 396 |
| BUS0 06 | A28H1 | 1-02 * | D26 | 1 | | | N 4-7/8 | | 396 |
| BUS0 06 | A21B1 | 1-03 * | D26 | 2 | | | N 1-6/8 | | 396 |
| BUS0 06 | A19J1 | 1-04 * | D26 | 1 | | | N 5-7/8 | | 396 |
| BUS0 06 | B12F1 | 1-05 * | D15 | 2 | | | N 0-4/8 | | 396 |
| BUS0 06 | B11F2 | 1-06 * | D16 | 1 | | | N 8-7/8 | | 396 |
| BUS0 06 | D16S1 | 1-07 * | D19 | 2 | | | N 5-7/8 | | 396 |
| BUS0 06 | D05R1 | 1-08 * | D07 | 1 | | | N 2-3/8 | | 396 |
| BUS0 06 | E06F1 | 1-09 * | D27 | 2 | | | N 2-5/8 | | 396 |
| BUS0 06 | E09L2 | 1-10 * | D09 | 1 | | | N 8-7/8 | | 396 |
| BUS0 06 | J10P1 | 1-11 * | DXX | | | | 43-6/8 | | 396 |
| BUS0 06 | A28P1 | 1-01 * | D22 | 2 | | | N 4-5/8 | | 397 |
| BUS0 06 | A21F1 | 1-02 * | D26 | 1 | | | N 18 | | 397 |
| BUS0 06 | E06H1 | 1-03 * S | D27 | | | | 22-5/8 | | 397 |
| BUS0 07 | A28D2 | 1-01 * | D22 | 2 | | | N 1-7/8 | | 398 |
| BUS0 07 | A31M1 | 1-02 * | D26 | 1 | | | N 6-5/8 | | 398 |
| BUS0 07 | A21A1 | 1-03 * | D26 | 2 | | | N 1-7/8 | | 398 |
| BUS0 07 | A19K1 | 1-04 * | D26 | 1 | | | N 5-5/8 | | 398 |
| BUS0 07 | B12A1 | 1-05 * | D15 | 2 | | | N 2-3/8 | | 398 |
| BUS0 07 | B11P1 | 1-06 * | D16 | 1 | | | N 8-7/8 | | 398 |
| BUS0 07 | D17S1 | 1-07 * | D19 | 2 | | | N 5-7/8 | | 398 |
| BUS0 07 | D06R1 | 1-08 * | D07 | 1 | | | N 1-6/8 | | 398 |
| BUS0 07 | E06D1 | 1-09 * | D27 | 2 | | | N 2-1/8 | | 398 |
| BUS0 07 | E09H1 | 1-10 * | D09 | 1 | | | N 8-7/8 | | 398 |
| BUS0 07 | J10P1 | 1-11 * | DXX | | | | 45-7/8 | | 398 |
| BUS0 07 | A28F2 | 1-01 * | D22 | 2 | | | N 4-3/8 | | 399 |
| BUS0 07 | A21E1 | 1-02 * | D26 | 1 | | | N 17-6/8 | | 399 |
| BUS0 07 | E06E1 | 1-03 * S | D27 | | | | 22-1/8 | | 399 |

18

82

| DX118-U RUN NAME | WRAPD .V35(102)-1 A/P PIN ORDER PIN | 03-JUN-77 BAY - O DRAW OPT | RV RG Y X Z | REMARKS | 15-NOV-77 | 15:48 NC LENGTH EXCEPTIONS FLAG | PAGE 42 | RUN NUMBER |
|---------------------|--|-------------------------------|-------------|---------|-----------|---------------------------------------|---------|---------------|
| BUS08 00(0) | H A10W1 | 1-01 * S D21 | 1 | | | N 19-3/8 | | 400 |
| BUS08 00(0) | H J09R2 | 1-02 * DXX | | | | | | 400 |
| BUS08 00(0) | H | 1 | | | | 19-3/8 | | 400 |
| BUS08 00(1) | H A10L1 | 1-01 * D21 | 2 | | | N 8-3/8 | | 401 |
| BUS08 00(1) | H D10K1 | 1-02 * D19 | 1 | | | N 16-5/8 | | 401 |
| BUS08 00(1) | H J21K2 | 1-03 * DXX | | | | 25-0/8 | | 401 |
| BUS08 00(1) | H | 1 | | | | | | 401 |
| BUS08 01(0) | H A11M1 | 1-01 * S D21 | 1 | | | N 19-1/8 | | 402 |
| BUS08 01(0) | H J09H2 | 1-02 * DXX | | | | 19-1/8 | | 402 |
| BUS08 01(0) | H | 1 | | | | | | 402 |
| BUS08 01(1) | H A11L1 | 1-01 * D21 | 2 | | | N 8-3/8 | | 403 |
| BUS08 01(1) | H D11K1 | 1-02 * D19 | 1 | | | N 16-3/8 | | 403 |
| BUS08 01(1) | H J21P1 | 1-03 * DXX | | | | 24-6/8 | | 403 |
| BUS08 01(1) | H | 1 | | | | | | 403 |
| BUS08 02(0) | H A12M1 | 1-01 * S D21 | 1 | | | N 21-1/8 | | 404 |
| BUS08 02(0) | H J09V1 | 1-02 * DXX | | | | 21-1/8 | | 404 |
| BUS08 02(0) | H | 1 | | | | | | 404 |
| BUS08 02(1) | H A12L1 | 1-01 * S D21 | 2 | | | N 8-3/8 | | 405 |
| BUS08 02(1) | H D12K1 | 1-02 * D19 | 1 | | | N 16-5/8 | | 405 |
| BUS08 02(1) | H J21U2 | 1-03 * DXX | | | | 23-0/8 | | 405 |
| BUS08 02(1) | H | 1 | | | | | | 405 |
| BUS08 03(0) | H A13M1 | 1-01 * S D21 | 1 | | | N 20-5/8 | | 406 |
| BUS08 03(0) | H J09D1 | 1-02 * DXX | | | | 20-5/8 | | 406 |
| BUS08 03(0) | H | 1 | | | | | | 406 |
| BUS08 03(1) | H A13L1 | 1-01 * D21 | 2 | | | N 8-3/8 | | 407 |
| BUS08 03(1) | H D13K1 | 1-02 * D19 | 1 | | | N 14-5/8 | | 407 |
| BUS08 03(1) | H J21P1 | 1-03 * DXX | | | | 23-0/8 | | 407 |
| BUS08 03(1) | H | 1 | | | | | | 407 |
| BUS08 04(0) | H A14M1 | 1-01 * S D21 | 1 | | | N 20-7/8 | | 408 |
| BUS08 04(0) | H J10R2 | 1-02 * DXX | | | | 20-7/8 | | 408 |
| BUS08 04(0) | H | 1 | | | | | | 408 |
| BUS08 04(1) | H A14L1 | 1-01 * D21 | 2 | | | N 8-3/8 | | 409 |
| BUS08 04(1) | H D14K1 | 1-02 * D19 | 1 | | | N 14-1/8 | | 409 |
| BUS08 04(1) | H J20K2 | 1-03 * DXX | | | | 22-4/8 | | 409 |
| BUS08 04(1) | H | 1 | | | | | | 409 |
| BUS08 05(0) | H A15M1 | 1-01 * S D21 | 1 | | | N 20-5/8 | | 410 |
| BUS08 05(0) | H J10H2 | 1-02 * DXX | | | | 20-5/8 | | 410 |
| BUS08 05(0) | H | 1 | | | | | | 410 |
| BUS08 05(1) | H A15L1 | 1-01 * S D21 | 2 | | | N 8-3/8 | | 411 |
| BUS08 05(1) | H D15K1 | 1-02 * D19 | 1 | | | N 13-7/8 | | 411 |
| BUS08 05(1) | H J20P1 | 1-03 * DXX | | | | 22-2/8 | | 411 |
| BUS08 05(1) | H | 1 | | | | | | 411 |

| DX118-U RUN NAME | WRAPD .V35(102)-1 A/P PIN ORDER PIN | 03-JUN-77 BAY - O DRAW OPT | RV RG Y X Z | REMARKS | 15-NOV-77 | 15:48 NC LENGTH EXCEPTIONS FLAG | PAGE 43 | RUN NUMBER |
|---------------------|--|-------------------------------|-------------|---------|-----------|---------------------------------------|---------|---------------|
| BUS08 06(0) | H A16M1 | 1-01 * S D21 | 1 | | | N 22-5/8 | | 412 |
| BUS08 06(0) | H J10V1 | 1-02 * DXX | | | | 22-5/8 | | 412 |
| BUS08 06(0) | H | 1 | | | | | | 412 |
| BUS08 06(1) | H A16L1 | 1-01 * D21 | 2 | | | N 8-3/8 | | 413 |
| BUS08 06(1) | H D16K1 | 1-02 * D19 | 1 | | | N 14-1/8 | | 413 |
| BUS08 06(1) | H J20U2 | 1-03 * DXX | | | | 22-4/8 | | 413 |
| BUS08 06(1) | H | 1 | | | | | | 413 |
| BUS08 07(0) | H A17M1 | 1-01 * S D21 | 1 | | | N 22-1/8 | | 414 |
| BUS08 07(0) | H J10L1 | 1-02 * DXX | | | | 22-1/8 | | 414 |
| BUS08 07(0) | H | 1 | | | | | | 414 |
| BUS08 07(1) | H A17L1 | 1-01 * D21 | 2 | | | N 8-3/8 | | 415 |
| BUS08 07(1) | H D17K1 | 1-02 * D19 | 1 | | | N 12-1/8 | | 415 |
| BUS08 07(1) | H J20P1 | 1-03 * DXX | | | | 20-4/8 | | 415 |
| BUS08 07(1) | H | 1 | | | | | | 415 |
| BUS08 CLKA | A10H1 | 1-01 * D21 | 2 | | | N 1 | | 416 |
| BUS08 CLKA | A11H1 | 1-02 * D21 | 1 | | | N 1 | | 416 |
| BUS08 CLKA | A12H1 | 1-03 * D21 | 2 | | | N 1 | | 416 |
| BUS08 CLKA | A13H1 | 1-04 * D21 | 1 | | | N 6-1/8 | | 416 |
| BUS08 CLKA | B20C1 | 1-05 * D21 | | | | 9-1/8 | | 416 |
| BUS08 CLKA | | 1 | | | | | | 416 |
| BUS08 CLKB | A14H1 | 1-01 * D21 | 2 | | | N 1 | | 417 |
| BUS08 CLKB | A15H1 | 1-02 * D21 | 1 | | | N 1 | | 417 |
| BUS08 CLKB | A16H1 | 1-03 * D21 | 2 | | | N 1 | | 417 |
| BUS08 CLKB | A17H1 | 1-04 * D21 | 1 | | | N 4-5/8 | | 417 |
| BUS08 CLKB | B20F1 | 1-05 * D21 | | | | 7-5/8 | | 417 |
| BUS08 CLKB | | 1 | | | | | | 417 |
| BYPAS(0) | A03J2 | 1-01 * D25 | 1 | | | N 2-5/8 | | 418 |
| BYPAS(0) | B03B1 | 1-02 * D25 | 2 | | | N 3-7/8 | | 418 |
| BYPAS(0) | C05C1 | 1-03 * D25 | 1 | | | N 2-3/8 | | 418 |
| BYPAS(0) | C03K1 | 1-04 * D24 | 2 | | | N 3-1/8 | | 418 |
| BYPAS(0) | C08N1 | 1-05 * D05 | 1 | | | N 7-1/8 | | 418 |
| BYPAS(0) | E12H2 | 1-06 * DXX | 2 | | | N 6-3/8 | | 418 |
| BYPAS(0) | C16V2 | 1-07 * D11 | | | | 25-4/8 | | 418 |
| BYPAS(0) | | 1 | | | | | | 418 |
| BYPAS(1) | A32M1 | 1-01 * D22 | 2 | | | N 12 | | 419 |
| BYPAS(1) | D16F1 | 1-02 * D19 | 1 | | | N 3-5/8 | | 419 |
| BYPAS(1) | E14E2 | 1-03 * D05 | 2 | | | N 1-6/8 | | 419 |
| BYPAS(1) | E03B1 | 1-04 * D13 | 1 | | | N 7-7/8 | | 419 |
| BYPAS(1) | E03M1 | 1-05 * D24 | 2 | | | N 7 | | 419 |
| BYPAS(1) | B03R2 | 1-06 * D25 | 1 | | | N 0-5/8 | | 419 |
| BYPAS(1) | C04B1 | 1-07 * D25 | 2 | | | N 1-5/8 | | 419 |
| BYPAS(1) | C05E2 | 1-08 * D25 | 1 | | | N 2-5/8 | | 419 |
| BYPAS(1) | C08H1 | 1-09 * D25 | 2 | | | N 2-1/8 | | 419 |
| BYPAS(1) | C08L2 | 1-10 * D24 | 1 | | | N 0-5/8 | | 419 |
| BYPAS(1) | C16U2 | 1-11 * D11 | 2 | | | N 5-1/8 | | 419 |
| BYPAS(1) | | 1-12 * S D11 | | | | 45-0/8 | | 419 |

| DX118.U RUN NAME | A/P PIN NAME | WRAPD .V35(102)-1 ORDER PIN | 03-JUN-77 BAY - Q ORDER | DRAW OPT | RV OPT | RG OPT | Y | X | Z | REMARKS | 15-NOV-77 | 15:48 NC LENGTH FLAG | PAGE 44 EXCEPTIONS | RUN NUMBER |
|---------------------|-----------------|--------------------------------|-------------------------------|-------------|-----------|-----------|---|---|---|---------|-----------|----------------------------|-----------------------|---------------|
| C01C1 | C01C1 | 1-01 * | D05 | | | | | | 1 | | | N | 0-1/8 | 420 |
| C01D1 | C01D1 | 1-02 * | D05 | | | | | | 2 | | | N | 0-5/8 | 420 |
| E04R2 | E04R2 | 1-03 * | D05 | | | | | | | | | | 0-6/8 | 420 |
| C01F1 | C01F1 | 1-01 * | D05 | | | | | | 1 | | | N | 4-5/8 | 421 |
| D01U2 | D01U2 | 1-02 * | D05 | | | | | | | | | | 4-5/8 | 421 |
| C01F2 | C01F2 | 1-01 * | D05 | | | | | | 1 | | | N | 0-1/8 | 422 |
| C01H2 | C01H2 | 1-02 * | D05 | | | | | | 2 | | | N | 9-7/8 | 422 |
| C12K1 | C12K1 | 1-03 * | D05 | | | | | | | | | | 6-0/8 | 422 |
| C01K1 | C01K1 | 1-01 * | D05 | | | | | | 1 | | | N | 7-5/8 | 423 |
| C15J1 | C15J1 | 1-02 * | D05 | | | | | | | | | | 7-5/8 | 423 |
| C01K2 | C01K2 | 1-01 * | D05 | | | | | | 1 | | | N | 0-1/8 | 424 |
| C01L2 | C01L2 | 1-02 * | D05 | | | | | | | | | | 0-1/8 | 424 |
| C01N1 | C01N1 | 1-01 * | D05 | | | | | | 1 | | | N | 0-3/8 | 425 |
| C16J1 | C16J1 | 1-02 * | D05 | | | | | | | | | | 0-3/8 | 425 |
| C01N2 | C01N2 | 1-01 * | D05 | | | | | | 1 | | | N | 6-1/8 | 426 |
| C12J1 | C12J1 | 1-02 * | D05 | | | | | | | | | | 6-1/8 | 426 |
| C01B1 | C01B1 | 1-01 * | D05 | | | | | | 1 | | | N | 7-7/8 | 427 |
| C14J1 | C14J1 | 1-02 * | D05 | | | | | | | | | | 7-7/8 | 427 |
| C01S2 | C01S2 | 1-01 * | D05 | | | | | | 1 | | | N | 5-5/8 | 428 |
| C10J1 | C10J1 | 1-02 * | D05 | | | | | | | | | | 5-5/8 | 428 |
| C01V2 | C01V2 | 1-01 * S | D05 | | | | | | 1 | | | N | 3-7/8 | 429 |
| E01B1 | E01B1 | 1-02 * | D05 | | | | | | | | | | 3-7/8 | 429 |
| C02C1 | C02C1 | 1-01 * | D24 | | | | | | 1 | | | N | 6-5/8 | 430 |
| E02K2 | E02K2 | 1-02 * | D24 | | | | | | | | | | 6-5/8 | 430 |
| C02F1 | C02F1 | 1-01 * | D24 | | | | | | 1 | | | N | 6 | 431 |
| E02J1 | E02J1 | 1-02 * | D24 | | | | | | | | | | 6-0/8 | 431 |
| C02F2 | C02F2 | 1-01 * | D24 | | | | | | 1 | | | N | 2-3/8 | 432 |
| C05L2 | C05L2 | 1-02 * | D24 | | | | | | | | | | 2-3/8 | 432 |

| DX118.U RUN NAME | A/P PIN NAME | WRAPD .V35(102)-1 ORDER PIN | 03-JUN-77 BAY - Q ORDER | DRAW OPT | RV OPT | RG OPT | Y | X | Z | REMARKS | 15-NOV-77 | 15:48 NC LENGTH FLAG | PAGE 45 EXCEPTIONS | RUN NUMBER |
|---------------------|-----------------|--------------------------------|-------------------------------|-------------|-----------|-----------|---|---|---|---------|-----------|----------------------------|-----------------------|---------------|
| C02K1 | C02K1 | 1-01 * | D24 | | | | | | 1 | | | N | 5-4/8 | 433 |
| E02H1 | E02H1 | 1-02 * | D24 | | | | | | | | | | 5-4/8 | 433 |
| C02N1 | C02N1 | 1-01 * | D24 | | | | | | 1 | | | N | 2-1/8 | 434 |
| C05M2 | C05M2 | 1-02 * | D24 | | | | | | | | | | 2-1/8 | 434 |
| C02E2 | C02E2 | 1-01 * | D24 | | | | | | 1 | | | N | 1-7/8 | 435 |
| C02S1 | C02S1 | 1-02 * S | D24 | | | | | | | | | | 1-7/8 | 435 |
| C02B2 | C02B2 | 1-01 * | D24 | | | | | | 1 | | | N | 4-7/8 | 436 |
| E04B1 | E04B1 | 1-02 * | D24 | | | | | | | | | | 4-7/8 | 436 |
| C02V2 | C02V2 | 1-01 * | D24 | | | | | | 1 | | | N | 4-5/8 | 437 |
| E04D1 | E04D1 | 1-02 * | D24 | | | | | | | | | | 4-5/8 | 437 |
| C03N2 | C03N2 | 1-01 * S | DXX | | | | | | 1 | | | N | 1 | 438 |
| C03T2 | C03T2 | 1-02 * | DXX | | | | | | | | | | 1-0/8 | 438 |
| B03J2 | B03J2 | 1-01 * | D25 | | | | | | 1 | | | N | 3-1/8 | 439 |
| C03V2 | C03V2 | 1-02 * | D25 | | | | | | | | | | 3-1/8 | 439 |
| C04P2 | C04P2 | 1-01 * S | DXX | | | | | | 1 | | | N | 12-2/8 | 440 |
| F20J2 | F20J2 | 1-02 * | DXX | | | | | | | | | | 12-2/8 | 440 |
| C04V2 | C04V2 | 1-01 * | D24 | | | | | | 1 | | | N | 2-2/8 | 441 |
| C07J1 | C07J1 | 1-02 * | D24 | | | | | | | | | | 2-2/8 | 441 |
| B05H2 | B05H2 | 1-01 * | D24 | | | | | | 1 | | | N | 3-1/8 | 442 |
| C05J2 | C05J2 | 1-02 * | D24 | | | | | | | | | | 3-1/8 | 442 |
| C05P2 | C05P2 | 1-01 * | D24 | | | | | | 1 | | | N | 1-5/8 | 443 |
| C07V1 | C07V1 | 1-02 * | D24 | | | | | | | | | | 1-5/8 | 443 |
| C06J2 | C06J2 | 1-01 * S | D07 | | | | | | 1 | | | N | 11-5/8 | 444 |
| F14D1 | F14D1 | 1-02 * | D07 | | | | | | | | | | 11-5/8 | 444 |
| C06L1 | C06L1 | 1-01 * S | D24 | | | | | | 1 | | | N | 1-3/8 | 445 |
| C07E2 | C07E2 | 1-02 * | D24 | | | | | | | | | | 1-3/8 | 445 |
| C06P2 | C06P2 | 1-01 * | D11 | | | | | | 1 | | | N | 12-5/8 | 446 |
| E23B1 | E23B1 | 1-02 * | D11 | | | | | | | | | | 12-5/8 | 446 |

84

| DX11B,U RUN NAME | WRAPD .V35(102)-1 A/P PIN ORDER NAME | 03-JUN-77 BAY - Q ORDER PIN | 15-NOV-77 DRAW RV PG Y X Z OPT | REMARKS | 15148 NC LENGTH FLAG | PAGE 46 EXCEPTIONS | RUN NUMBER |
|---------------------|---|-----------------------------------|--------------------------------------|---------|----------------------------|-----------------------|---------------|
| C06V2 | C06V2 | 1-01 * | D11 | 1 | N 12-1/8 | | 447 |
| C06V2 | E23D1 | 1-02 * | D11 | 1 | 12-1/8 | | 447 |
| C07K1 | A04R2 | 1-01 * | D24 | 1 | N 0-4/8 | | 448 |
| C07K1 | A04T2 | 1-02 * | D24 | 2 | N 5-7/8 | | 448 |
| C07K1 | C07K1 | 1-03 * S | D24 | 1 | 6-3/8 | | 448 |
| C07L2 | A06L2 | 1-01 * | D07 | 1 | N 6-1/8 | | 449 |
| C07L2 | C07L2 | 1-02 * | D07 | 1 | 6-1/8 | | 449 |
| C08E1 | B06R2 | 1-01 * | D25 | 1 | N 2-3/8 | | 450 |
| C08E1 | C08E1 | 1-02 * | D25 | 1 | 2-3/8 | | 450 |
| C08J2 | C06J2 | 1-01 * | D13 | 1 | N 14-3/8 | | 451 |
| C08J2 | E27E1 | 1-02 * | D13 | 1 | 14-3/8 | | 451 |
| C08P2 | C08P2 | 1-01 * S | D25 | 1 | N 3-1/8 | | 452 |
| C08P2 | D09L1 | 1-02 * | D25 | 1 | 3-1/8 | | 452 |
| C08S1 | C25K1 | 1-01 * | D05 | 1 | N 9-5/8 | | 453 |
| C08S1 | C08S1 | 1-02 * | D05 | 2 | N 4-7/8 | | 453 |
| C08S1 | D01A1 | 1-03 * | D05 | 1 | 14-6/8 | | 453 |
| C08V2 | A02K1 | 1-01 * | D05 | 1 | N 10-1/8 | | 454 |
| C08V2 | C08V2 | 1-02 * S | D05 | 1 | 10-1/8 | | 454 |
| C09E1 | C09E1 | 1-01 * | D06 | 1 | N 8-1/8 | | 455 |
| C09E1 | C24C1 | 1-02 * | D06 | 1 | 8-1/8 | | 455 |
| C09L1 | B17M1 | 1-01 * | D06 | 2 | N 2-5/8 | | 455 |
| C09L1 | C15C1 | 1-02 * | D06 | 1 | N 4-1/8 | | 456 |
| C09L1 | C09L1 | 1-03 * | D06 | 1 | 6-6/8 | | 456 |
| C09P2 | C09P2 | 1-01 * S | D06 | 1 | N 2-7/8 | | 457 |
| C09P2 | C13C1 | 1-02 * | D06 | 1 | 2-7/8 | | 457 |
| C09S1 | C09S1 | 1-01 * | D06 | 1 | N 2-5/8 | | 458 |
| C09S1 | C11C1 | 1-02 * | D06 | 1 | 2-5/8 | | 458 |
| C09V2 | C09V2 | 1-01 * S | D06 | 1 | N 3-3/8 | | 459 |
| C09V2 | C14C1 | 1-02 * | D06 | 1 | 3-3/8 | | 459 |

| DX11B,U RUN NAME | WRAPD .V35(102)-1 A/P PIN ORDER NAME | 03-JUN-77 BAY - Q ORDER PIN | 15-NOV-77 DRAW RV PG Y X Z OPT | REMARKS | 15148 NC LENGTH FLAG | PAGE 47 EXCEPTIONS | RUN NUMBER |
|---------------------|---|-----------------------------------|--------------------------------------|---------|----------------------------|-----------------------|---------------|
| C19U2 | C19U2 | 1-01 * | D11 | 1 | N 7-5/8 | | 460 |
| C19U2 | D09N1 | 1-02 * | D11 | 1 | 7-5/8 | | 460 |
| C19V2 | C19V2 | 1-01 * | D11 | 1 | N 7-7/8 | | 461 |
| C19V2 | D09R1 | 1-02 * | D11 | 1 | 7-7/8 | | 461 |
| CHEND(1) | A29M1 | 1-01 * | D22 | 2 | N 4-3/8 | | 462 |
| CHEND(1) | B23D2 | 1-02 * | D24 | 1 | N 9-3/8 | | 462 |
| CHEND(1) | B09U1 | 1-03 * | D10 | 2 | N 8-5/8 | | 462 |
| CHEND(1) | D15S2 | 1-04 * S | D19 | 1 | N 3-5/8 | | 462 |
| CHEND(1) | C15N1 | 1-05 * | D05 | 1 | 26-0/8 | | 462 |
| CHEND(0) | C04M2 | 1-01 * | DXX | 1 | N 5-1/8 | | 463 |
| CHEND(0) | C13K2 | 1-02 * | DXX | 1 | 5-1/8 | | 463 |
| CHEND(1) | C13J2 | 1-01 * S | D09 | 2 | N 4 | | 464 |
| CHEND(1) | B08K2 | 1-02 * | D10 | 1 | N 8-3/8 | | 464 |
| CHEND(1) | D13N1 | 1-03 * | D19 | 2 | N 12-2/8 | | 464 |
| CHEND(1) | A29U2 | 1-04 * | D22 | 1 | N 12-7/8 | | 464 |
| CHEND(1) | F31D1 | 1-05 * | D13 | 1 | 37-4/8 | | 464 |
| CHENDS(1) | A29H1 | 1-01 * | D22 | 1 | N 12-3/8 | | 465 |
| CHENDS(1) | B13U1 | 1-02 * | D10 | 2 | N 8-5/8 | | 465 |
| CHENDS(1) | D19S2 | 1-03 * S | D19 | 1 | N 3-5/8 | | 465 |
| CHENDS(1) | C19N1 | 1-04 * | D05 | 1 | 24-5/8 | | 465 |
| CHIS(0) | C17N1 | 1-01 * S | D05 | 1 | N 8-2/8 | | 466 |
| CHIS(0) | A06H1 | 1-02 * | D25 | 2 | N 7-7/8 | | 466 |
| CHIS(0) | C02P1 | 1-03 * | D24 | 1 | N 16-7/8 | | 466 |
| CHIS(0) | F21D2 | 1-04 * | DXX | 1 | 33-0/8 | | 466 |
| CHIS(1) | A29K1 | 1-01 * | D22 | 1 | N 8-5/8 | | 467 |
| CHIS(1) | B17H2 | 1-02 * | D06 | 2 | N 4-3/8 | | 467 |
| CHIS(1) | B09J2 | 1-03 * | D10 | 1 | N 3-7/8 | | 467 |
| CHIS(1) | A05S1 | 1-04 * | D25 | 2 | N 1-3/8 | | 467 |
| CHIS(1) | A03U2 | 1-05 * | D24 | 1 | N 11-5/8 | | 467 |
| CHIS(1) | D17S2 | 1-06 * | D19 | 2 | N 3-7/8 | | 467 |
| CHIS(1) | C17H1 | 1-07 * S | D05 | 1 | 33-6/8 | | 467 |
| CLINTR | C26M2 | 1-01 * S | D18 | 1 | N 1 | | 468 |
| CLINTR | C26S1 | 1-02 * | D18 | 2 | N 7-3/8 | | 468 |
| CLINTR | E18M1 | 1-03 * | D18 | 1 | 8-3/8 | | 468 |
| CLK GATE | A25C1 | 1-01 * S | D20 | 1 | N 6-4/8 | | 469 |
| CLK GATE | B16J2 | 1-02 * | D20 | 1 | 6-4/8 | | 469 |

| DX118.U RUN NAME | WRAPD .V35(102)=1 A/P PIN ORDER PIN | 03-JUN-77 BAY - Q ORDER | 15-NOV-77 REMARKS | NC LENGTH FLAG | PAGE 48 EXCEPTIONS | RUN NUMBER |
|---------------------|--|----------------------------|----------------------|-------------------|-----------------------|---------------|
| CLK OUT | H14D2 | 1-01 * | DXX | N 1-4/8 | | 470 |
| CLK OUT | H12D2 | 1-02 * | DXX | N 3-5/8 | | 470 |
| CLK OUT | J13E2 | 1-03 * | DXX | 5-1/8 | | 470 |
| CLKN1 | A27H1 | 1-01 * | D20 | N 5-1/8 | | 471 |
| CLKN1 | A18D1 | 1-02 * | D15 | N 0-4/8 | | 471 |
| CLKN1 | A18F1 | 1-03 * | D16 | N 5-1/8 | | 471 |
| CLKN1 | B20R1 | 1-04 * | D11 | N 0-4/8 | | 471 |
| CLKN1 | B20R2 | 1-05 * | D11 | N 0-5/8 | | 471 |
| CLKN1 | B20M1 | 1-06 * | D11 | N 0-5/8 | | 471 |
| CLKN1 | B20J1 | 1-07 * | D11 | N 5-2/8 | | 471 |
| CLKN1 | B10J2 | 1-08 * | D16 | N 0-5/8 | | 471 |
| CLKN1 | B10M2 | 1-09 * | D16 | N 0-5/8 | | 471 |
| CLKN1 | B10R1 | 1-10 * | D15 | N 0-5/8 | | 471 |
| CLKN1 | B10M1 | 1-11 * | D15 | N 0-5/8 | | 471 |
| CLKN1 | A08E2 | 1-12 * | D13 | N 4-5/8 | | 471 |
| CLKN1 | C01J1 | 1-13 * | D05 | N 9-5/8 | | 471 |
| CLKN1 | | | | 33-7/8 | | 471 |
| CLKN2 | A27K1 | 1-01 * | D20 | N 4-7/8 | | 472 |
| CLKN2 | A18J1 | 1-02 * | D21 | N 0-4/8 | | 472 |
| CLKN2 | A18L1 | 1-03 * | D21 | N 0-4/8 | | 472 |
| CLKN2 | A18N1 | 1-04 * | D21 | N 0-4/8 | | 472 |
| CLKN2 | F19B1 | 1-05 * | D21 | N 9-7/8 | | 472 |
| CLKN2 | F19E1 | 1-06 * | D06 | N 0-5/8 | | 472 |
| CLKN2 | E18B1 | 1-07 * | D06 | N 0-5/8 | | 472 |
| CLKN2 | E18E1 | 1-08 * | D06 | N 0-5/8 | | 472 |
| CLKN2 | E18J2 | 1-10 * | D06 | N 0-5/8 | | 472 |
| CLKN2 | E18M2 | 1-11 * | D06 | N 0-5/8 | | 472 |
| CLKN2 | E13L1 | 1-12 * | D06 | N 3-1/8 | | 472 |
| CLKN2 | E13D1 | 1-13 * | D09 | N 1-2/8 | | 472 |
| CLKN2 | E05R2 | 1-14 * | D09 | N 5-3/8 | | 472 |
| CLKN2 | E05U2 | 1-15 * | D09 | N 0-5/8 | | 472 |
| CLKN2 | E05H2 | 1-16 * | D09 | N 1-6/8 | | 472 |
| CLKN2 | D01B1 | 1-17 * | D05 | N 5-3/8 | | 472 |
| CLKN2 | | | | 36-7/8 | | 472 |

| DX118.U RUN NAME | WRAPD .V35(102)=1 A/P PIN ORDER PIN | 03-JUN-77 BAY - Q ORDER | 15-NOV-77 REMARKS | NC LENGTH FLAG | PAGE 49 EXCEPTIONS | RUN NUMBER |
|---------------------|--|----------------------------|----------------------|-------------------|-----------------------|---------------|
| CLKN3 | A27V2 | 1-01 * | D20 | N 5-3/8 | | 473 |
| CLKN3 | B20J2 | 1-02 * | D11 | N 11-5/8 | | 473 |
| CLKN3 | E31B1 | 1-03 * | D13 | N 1 | | 473 |
| CLKN3 | E30B1 | 1-04 * | D13 | N 0-5/8 | | 473 |
| CLKN3 | E30E1 | 1-05 * | D13 | N 0-4/8 | | 473 |
| CLKN3 | E30E2 | 1-06 * | D13 | N 0-5/8 | | 473 |
| CLKN3 | E31J1 | 1-07 * | D13 | N 0-4/8 | | 473 |
| CLKN3 | E31J2 | 1-08 * | D13 | N 0-4/8 | | 473 |
| CLKN3 | E31R2 | 1-09 * | D13 | N 1-2/8 | | 473 |
| CLKN3 | E31R1 | 1-10 * | D13 | N 0-4/8 | | 473 |
| CLKN3 | E30M1 | 1-11 * | D13 | N 0-4/8 | | 473 |
| CLKN3 | E30R1 | 1-12 * | D13 | N 0-5/8 | | 473 |
| CLKN3 | F20J1 | 1-13 * | D13 | N 0-5/8 | | 473 |
| CLKN3 | E24U2 | 1-14 * | D05 | N 2-7/8 | | 473 |
| CLKN3 | E19U2 | 1-15 * | D13 | N 4-1/8 | | 473 |
| CLKN3 | E19M2 | 1-17 * | D13 | N 3 | | 473 |
| CLKN3 | F14J1 | 1-18 * | D05 | N 4 | | 473 |
| CLKN3 | E13R1 | 1-19 * | D13 | N 2-7/8 | | 473 |
| CLKN3 | | | | 41-7/8 | | 473 |
| CLKN4 | D09J2 | 1-01 * | D05 | N 6-7/8 | | 474 |
| CLKN4 | C01M2 | 1-02 * | D05 | N 0-4/8 | | 474 |
| CLKN4 | C01M1 | 1-03 * | D05 | N 0-5/8 | | 474 |
| CLKN4 | C01R2 | 1-04 * | D05 | N 0-4/8 | | 474 |
| CLKN4 | C01R1 | 1-05 * | D05 | N 2-1/8 | | 474 |
| CLKN4 | D01E2 | 1-06 * | D05 | N 0-4/8 | | 474 |
| CLKN4 | D01E1 | 1-07 * | D05 | N 0-4/8 | | 474 |
| CLKN4 | D01J2 | 1-08 * | D05 | N 0-5/8 | | 474 |
| CLKN4 | D01M2 | 1-09 * | D05 | N 0-5/8 | | 474 |
| CLKN4 | D01M1 | 1-10 * | D05 | N 0-4/8 | | 474 |
| CLKN4 | D01R1 | 1-11 * | D05 | N 0-5/8 | | 474 |
| CLKN4 | E13F1 | 1-12 * | D05 | N 7-7/8 | | 474 |
| CLKN4 | E13J1 | 1-13 * | D11 | N 0-4/8 | | 474 |
| CLKN4 | E24J1 | 1-14 * | D11 | N 6 | | 474 |
| CLKN4 | E24J2 | 1-15 * | D11 | N 0-4/8 | | 474 |
| CLKN4 | E24M1 | 1-16 * | D11 | N 0-5/8 | | 474 |
| CLKN4 | | | | 29-0/8 | | 474 |
| CLKO | A31K2 | 1-01 * | D22 | N 13-4/8 | | 475 |
| CLKO | D19L1 | 1-02 * | D19 | N 9-1/8 | | 475 |
| CLKO | C06R1 | 1-03 * | D24 | N 5-7/8 | | 475 |
| CLKO | E06S2 | 1-04 * | D27 | N 10-5/8 | | 475 |
| CLKO | J13D2 | 1-05 * | DXX | 39-1/8 | | 475 |
| CLKO | | | | N 2-4/8 | | 476 |
| CLKO | E02T2 | 1-01 * | D24 | 2-4/8 | | 476 |
| CLKO | E06T2 | 1-02 * | D27 | | | 476 |
| CLKO | | | | | | 476 |

86

| DX118.U | WRAPD .V35(102)-1 | 03-JUN-77 | 15-NOV-77 | PAGE 50 |
|----------|-------------------|-----------|-----------|----------------------|
| RUN NAME | A/P PIN ORDER PIN | DRAW OPT | REMARKS | NC LENGTH EXCEPTIONS |
| CLRP1 | A27M1 | 1-01 * 8 | | N 1-5/8 |
| CLRP1 | A25J1 | 1-02 * | | N 1-5/8 |
| CLRP1 | A25U2 | 1-03 * | | N 5-6/8 |
| CLRP1 | B18R2 | 1-04 * | | N 2-5/8 |
| CLRP1 | B16A1 | 1-05 * | | N 1-6/8 |
| CLRP1 | B16M1 | 1-06 * | | N 5-3/8 |
| CLRP1 | A09E1 | 1-07 * | | N 4-5/8 |
| CLRP1 | A01H1 | 1-08 * | | N 3-6/8 |
| CLRP1 | S01M1 | 1-09 * | | N 3-1/8 |
| CLRP1 | C03R2 | 1-10 * | | N 6 |
| CLRP1 | C00U2 | 1-11 * | | N 2 |
| CLRP1 | E16B1 | 1-12 * | | N 0-5/8 |
| CLRP1 | E16U2 | 1-13 * | | N 2-5/8 |
| CLRP1 | E20E2 | 1-14 * | | N 0-4/8 |
| CLRP1 | E20U2 | 1-15 * | | N 46-5/8 |
| CLRP1 | E20U2 | 1-16 * | | N 46-5/8 |
| CLRP2 | A27F1 | 1-01 * | | N 8 |
| CLRP2 | B17T2 | 1-02 * | | N 0-1/8 |
| CLRP2 | B17U2 | 1-03 * | | N 2-5/8 |
| CLRP2 | C18M2 | 1-04 * | | N 7-6/8 |
| CLRP2 | E27L2 | 1-05 * | | N 4-1/8 |
| CLRP2 | F22E2 | 1-06 * | | N 1-5/8 |
| CLRP2 | F22F1 | 1-07 * | | N 3-5/8 |
| CLRP2 | F22F1 | 1-08 * | | N 1-2/8 |
| CLRP2 | E17U2 | 1-09 * | | N 4/8 |
| CLRP2 | E17M2 | 1-10 * | | N 1-2/8 |
| CLRP2 | E26J1 | 1-11 * | | N 5-1/8 |
| CLRP2 | C25E2 | 1-12 * | | N 6-3/8 |
| CLRP2 | C25E2 | 1-12 * | | N 41-7/8 |
| CLR CUAR | A10R1 | 1-01 * | | N 1 |
| CLR CUAR | A11R1 | 1-02 * | | N 1 |
| CLR CUAR | A12R1 | 1-03 * | | N 1 |
| CLR CUAR | A13R1 | 1-04 * | | N 1 |
| CLR CUAR | A14R1 | 1-05 * | | N 1 |
| CLR CUAR | A15R1 | 1-06 * | | N 1 |
| CLR CUAR | A16R1 | 1-07 * | | N 1 |
| CLR CUAR | A17R1 | 1-08 * | | N 2-2/8 |
| CLR CUAR | A18D2 | 1-09 * | | N 9-2/8 |
| CLR CUAR | A18D2 | 1-09 * | | N 9-2/8 |
| CLR CUCR | A10U2 | 1-01 * | | N 1 |
| CLR CUCR | A11U2 | 1-02 * | | N 1 |
| CLR CUCR | A12U2 | 1-03 * | | N 1 |
| CLR CUCR | A13U2 | 1-04 * | | N 1 |
| CLR CUCR | A14U2 | 1-05 * | | N 1 |
| CLR CUCR | A15U2 | 1-06 * | | N 1 |
| CLR CUCR | A16U2 | 1-07 * | | N 1 |
| CLR CUCR | A17U2 | 1-08 * | | N 2-3/8 |
| CLR CUCR | A18F2 | 1-09 * | | N 9-3/8 |
| CLR CUCR | A18F2 | 1-09 * | | N 9-3/8 |

| DX118.U | WRAPD .V35(102)-1 | 03-JUN-77 | 15-NOV-77 | PAGE 51 |
|-------------|-------------------|-----------|-----------|----------------------|
| RUN NAME | A/P PIN ORDER PIN | DRAW OPT | REMARKS | NC LENGTH EXCEPTIONS |
| CLR CUBR | C17D2 | 1-01 * | | N 1 |
| CLR CUBR | C16D2 | 1-02 * | | N 1 |
| CLR CUBR | C15D2 | 1-03 * | | N 1 |
| CLR CUBR | C14D2 | 1-04 * | | N 1 |
| CLR CUBR | C13D2 | 1-05 * | | N 1 |
| CLR CUBR | C12D2 | 1-06 * | | N 1 |
| CLR CUBR | C11D2 | 1-07 * | | N 1 |
| CLR CUBR | C10D2 | 1-08 * | | N 7-1/8 |
| CLR CUBR | E13D2 | 1-09 * | | N 14-1/8 |
| CLR DXBC BA | B25H1 | 1-01 * | | N 1 |
| CLR DXBC BA | B26H1 | 1-02 * | | N 1 |
| CLR DXBC BA | B27H1 | 1-03 * | | N 1-3/8 |
| CLR DXBC BA | B27R1 | 1-04 * | | N 1 |
| CLR DXBC BA | B28R1 | 1-05 * | | N 1 |
| CLR DXBC BA | D07H1 | 1-06 * | | N 1 |
| CLR DXBC BA | D07R1 | 1-07 * | | N 1 |
| CLR DXBC BA | D08H1 | 1-08 * | | N 1 |
| CLR DXBC BA | D08R1 | 1-09 * | | N 1 |
| CLR DXBC BA | D08R1 | 1-09 * | | N 1 |
| CLR DXCB | C29P1 | 1-01 * | | N 1 |
| CLR DXCB | C24P1 | 1-02 * | | N 1 |
| CLR DXCB | C23P1 | 1-03 * | | N 1 |
| CLR DXCB | C22P1 | 1-04 * | | N 2 |
| CLR DXCB | C19P1 | 1-05 * | | N 1 |
| CLR DXCB | C18P1 | 1-06 * | | N 1-4/8 |
| CLR DXCB | C16P1 | 1-07 * | | N 1 |
| CLR DXCB | C15P1 | 1-08 * | | N 1 |
| CLR DXCB | C14P1 | 1-09 * | | N 1 |
| CLR DXCB | C13P1 | 1-10 * | | N 5-3/8 |
| CLR DXCB | E13J2 | 1-11 * | | N 23-1/8 |
| CLR DXCB | E13J2 | 1-11 * | | N 23-1/8 |
| CLR DXCS | C25A1 | 1-01 * | | N 0-5/8 |
| CLR DXCS | C24D1 | 1-02 * | | N 1-2/8 |
| CLR DXCS | C23A1 | 1-03 * | | N 1-4/8 |
| CLR DXCS | B16J2 | 1-04 * | | N 2-6/8 |
| CLR DXCS | C14D1 | 1-05 * | | N 3-4/8 |
| CLR DXCS | C13D1 | 1-06 * | | N 1 |
| CLR DXCS | C15D1 | 1-07 * | | N 1-4/8 |
| CLR DXCS | C16A1 | 1-08 * | | N 0-5/8 |
| CLR DXCS | C17A1 | 1-09 * | | N 1 |
| CLR DXCS | E16L2 | 1-10 * | | N 6-7/8 |
| CLR DXCS | E13L2 | 1-11 * | | N 2 |
| CLR DXCS | E13L2 | 1-12 * | | N 22-5/8 |

| DX11B.U RUN NAME | WRAPD .V35(102)-1 A/P PIN ORDER PIN ORDER | 03-JUN-77 BAY Q DRAW OPT | RV RG Y X Z | REMARKS | 15-NOV-77 | 15148 NC LENGTH FLAG | PAGE 52 EXCEPTIONS | RUN NUMBER |
|---------------------|---|--------------------------------|-------------|---------|-----------|----------------------------|-----------------------|---------------|
| CLR DXD8 | C10A1 | 1-01 * | D05 | | 2 | N | 0-5/8 | 485 |
| CLR DXD8 | C11H1 | 1-02 * | D05 | | 1 | N | 1 | 485 |
| CLR DXD8 | C12H1 | 1-03 * | D05 | | 2 | N | 3 | 485 |
| CLR DXD8 | C17H1 | 1-04 * | D05 | | 1 | N | 0-5/8 | 485 |
| CLR DXD8 | C15L1 | 1-05 * | D05 | | 2 | N | 1 | 485 |
| CLR DXD8 | C15L1 | 1-06 * | D05 | | 1 | N | 1 | 485 |
| CLR DXD8 | C15L1 | 1-07 * | D05 | | 2 | N | 1 | 485 |
| CLR DXD8 | E13F2 | 1-08 * S | D05 | | 1 | N | 5-3/8 | 485 |
| CLR DXD8A | | | | | 2 | N | 12-5/8 | 485 |
| CLR DXD8A | C25L1 | 1-01 * | D05 | | 2 | N | 3 | 486 |
| CLR DXD8A | C20L1 | 1-02 * | D05 | | 1 | N | 1 | 486 |
| CLR DXD8A | C19L1 | 1-03 * | D05 | | 2 | N | 1 | 486 |
| CLR DXD8A | C18L1 | 1-04 * | D05 | | 1 | N | 9-7/8 | 486 |
| CLR DXD8A | F14J2 | 1-05 * | D05 | | 1 | N | 1 | 486 |
| CLR DXD8A | | | | | 1 | N | 14-7/8 | 486 |
| CLR DXMI | C20L2 | 1-01 * | D13 | | 1 | N | 1 | 487 |
| CLR DXMI | C21L2 | 1-02 * | D13 | | 2 | N | 1 | 487 |
| CLR DXMI | C22L2 | 1-03 * | D13 | | 1 | N | 1 | 487 |
| CLR DXMI | C23L2 | 1-04 * | D13 | | 2 | N | 1-4/8 | 487 |
| CLR DXMI | C25L2 | 1-05 * | D13 | | 1 | N | 8-7/8 | 487 |
| CLR DXMI | E13R2 | 1-06 * S | D13 | | 1 | N | 1 | 487 |
| CLR DXMI | | | | | 1 | N | 13-3/8 | 487 |
| CLR FCTN | C10A1 | 1-01 * | D06 | | 1 | N | 1-2/8 | 488 |
| CLR FCTN | C11D1 | 1-02 * | D06 | | 2 | N | 1 | 488 |
| CLR FCTN | C12D1 | 1-03 * | D06 | | 1 | N | 1 | 488 |
| CLR FCTN | E16E2 | 1-04 * S | D06 | | 1 | N | 9-1/8 | 488 |
| CLR FCTN | | | | | 1 | N | 11-3/8 | 488 |
| CLR IRC | E27N2 | 1-01 * S | D05 | | 1 | N | 6-3/8 | 489 |
| CLR IRC | F19E2 | 1-02 * | D05 | | 1 | N | 1 | 489 |
| CLR IRC | | | | | 1 | N | 6-3/8 | 489 |
| CMD OUT | J09E2 | 1-01 * | DXX | | 1 | N | 2-2/8 | 490 |
| CMD OUT | J12M1 | 1-02 * | DXX | | 2 | N | 1-4/8 | 490 |
| CMD OUT | J16M1 | 1-03 * | DXX | | 1 | N | 3-6/8 | 490 |
| CMD OUT | | | | | 1 | N | 11-1/8 | 491 |
| CMDCHN(1) | A29R1 | 1-01 * | D22 | | 1 | N | 1-7/8 | 491 |
| CMDCHN(1) | A08U2 | 1-02 * | DXX | | 2 | N | 4-7/8 | 491 |
| CMDCHN(1) | B08E1 | 1-03 * | D10 | | 1 | N | 1 | 491 |
| CMDCHN(1) | C06P1 | 1-04 * | D24 | | 2 | N | 4-7/8 | 491 |
| CMDCHN(1) | D12S2 | 1-05 * | D19 | | 1 | N | 3-7/8 | 491 |
| CMDCHN(1) | C12M1 | 1-06 * S | D05 | | 1 | N | 1 | 491 |
| CMDCHN(1) | | | | | 1 | N | 26-5/8 | 491 |
| CMD0 | C20F2 | 1-01 * H | D12 | | 1 | N | 18-7/8 | 492 |
| CMD0 | J09D2 | 1-02 * | DXX | | 1 | N | 1 | 492 |
| CMD0 | | | | | 1 | N | 18-7/8 | 492 |

| DX11B.U RUN NAME | WRAPD .V35(102)-1 A/P PIN ORDER PIN ORDER | 03-JUN-77 BAY Q DRAW OPT | RV RG Y X Z | REMARKS | 15-NOV-77 | 15148 NC LENGTH FLAG | PAGE 53 EXCEPTIONS | RUN NUMBER |
|---------------------|---|--------------------------------|-------------|---------|-----------|----------------------------|-----------------------|---------------|
| CMD0(0) | A04A1 | 1-01 * | D25 | | 1 | N | 4-3/8 | 493 |
| CMD0(0) | B04K2 | 1-02 * | D25 | | 2 | N | 3-3/8 | 493 |
| CMD0(0) | C05M1 | 1-03 * | D24 | | 1 | N | 10-4/8 | 493 |
| CMD0(0) | E17J2 | 1-04 * | D06 | | 2 | N | 3-3/8 | 493 |
| CMD0(0) | E23M1 | 1-05 * | D11 | | 1 | N | 9-3/8 | 493 |
| CMD0(0) | B21J1 | 1-06 * | D13 | | 2 | N | 3-3/8 | 493 |
| CMD0(0) | C20K2 | 1-07 * S | D12 | | 1 | N | 34-3/8 | 493 |
| CMD0(0) | | | | | 2 | N | 2 | 494 |
| CMD0(0) | A03R2 | 1-01 * | D25 | | 2 | N | 0-5/8 | 494 |
| CMD0(0) | B03D2 | 1-02 * | D25 | | 1 | N | 4-1/8 | 494 |
| CMD0(0) | B04H1 | 1-03 * | D25 | | 2 | N | 6-5/8 | 494 |
| CMD0(0) | C09J1 | 1-04 * | D06 | | 1 | N | 2-1/8 | 494 |
| CMD0(0) | E07K2 | 1-05 * | D05 | | 2 | N | 9-1/8 | 494 |
| CMD0(0) | E05E1 | 1-06 * | D13 | | 1 | N | 7-5/8 | 494 |
| CMD0(0) | D20S1 | 1-07 * | D19 | | 2 | N | 11-3/8 | 494 |
| CMD0(0) | E30L2 | 1-08 * | D13 | | 1 | N | 7-7/8 | 494 |
| CMD0(0) | A31J1 | 1-09 * | D22 | | 2 | N | 51-4/8 | 494 |
| CMD0(0) | C20J2 | 1-10 * S | D12 | | 1 | N | 13-3/8 | 495 |
| CMD0(0) | | | | | 2 | N | 6-7/8 | 495 |
| CMD0(0) | A29T1 | 1-01 * | D22 | | 1 | N | 3-5/8 | 495 |
| CMD0(0) | B08R1 | 1-02 * | D10 | | 2 | N | 23-7/8 | 495 |
| CMD0(0) | D10S2 | 1-03 * | D19 | | 1 | N | 0-1/8 | 496 |
| CMD0(0) | C10N1 | 1-04 * S | D05 | | 1 | N | 2-3/8 | 496 |
| CMD0(0) | | | | | 1 | N | 4-1/8 | 496 |
| CMD0(0) | A04C1 | 1-01 * S | D25 | | 1 | N | 8-1/8 | 497 |
| CMD0(0) | A04D1 | 1-02 * | D25 | | 2 | N | 8-1/8 | 497 |
| CMD0(0) | A06A1 | 1-03 * | D25 | | 1 | N | 1 | 498 |
| CMD0(0) | A06R2 | 1-04 * | D25 | | 1 | N | 1 | 498 |
| CMD0(0) | | | | | 1 | N | 7-7/8 | 498 |
| CMD0(0) | C06M1 | 1-01 * | D24 | | 1 | N | 9-7/8 | 498 |
| CMD0(0) | E02V2 | 1-02 * S | D24 | | 1 | N | 1 | 499 |
| CMD0(0) | | | | | 1 | N | 1 | 499 |
| CMD0(0) | C24E2 | 1-01 * | D12 | | 1 | N | 1 | 498 |
| CMD0(0) | C23E2 | 1-02 * | D12 | | 2 | N | 1 | 498 |
| CMD0(0) | E20T2 | 1-03 * S | D12 | | 1 | N | 7-7/8 | 498 |
| CMD0(0) | | | | | 1 | N | 9-7/8 | 498 |
| CMD0(0) | C19E2 | 1-01 * | D12 | | 1 | N | 1 | 499 |
| CMD0(0) | C20E2 | 1-02 * | D12 | | 2 | N | 1 | 499 |
| CMD0(0) | C21E2 | 1-03 * | D12 | | 1 | N | 7-5/8 | 499 |
| CMD0(0) | E20V2 | 1-04 * S | D12 | | 1 | N | 9-5/8 | 499 |
| CMD0(0) | | | | | 1 | N | 1 | 500 |
| CMD0(0) | A10F1 | 1-01 * S | D21 | | 1 | N | 14-7/8 | 500 |
| CMD0(0) | E04R1 | 1-02 * | D27 | | 2 | N | 12-3/8 | 500 |
| CMD0(0) | J13L1 | 1-03 * | D27 | | 1 | N | 27-2/8 | 500 |

| DX11B.U RUN NAME | WRAPD .V35(102)-1 A/P PIN ORDER NAME | 03-JUN-77 BAY - O ORDER PIN | DRAW RV RG Y X Z OPT | REMARKS | 15-NOV-77 | 15148 NC LENGTH FLAG | PAGE 54 EXCEPTIONS | RUN NUMBER |
|---------------------|---|--------------------------------|-------------------------|---------|-----------|----------------------------|-----------------------|---------------|
| CONOB 06(1) | H A10E1 | 1-01 * 5 | D21 | | 1 | N 12-7/8 | | 501 |
| CONOB 06(1) | H D10K1 | 1-02 * 5 | D19 | | 2 | N 11-5/8 | | 501 |
| CONOB 06(1) | H J19K2 | 1-03 * 5 | D27 | | | 24-4/8 | | 501 |
| CONOB 01(0) | H A11F1 | 1-01 * 5 | D21 | | 1 | N 19-5/8 | | 502 |
| CONOB 01(0) | H F20T2 | 1-02 * 5 | D27 | | | 19-8/8 | | 502 |
| CONOB 01(1) | H A11E1 | 1-01 * 5 | D21 | | 1 | N 12-7/8 | | 503 |
| CONOB 01(1) | H D19K1 | 1-02 * 5 | D19 | | | 12-7/8 | | 503 |
| CONOB 02(0) | H A12F1 | 1-01 * 5 | D21 | | 1 | N 15-1/8 | | 504 |
| CONOB 02(0) | H E04J1 | 1-02 * 5 | D27 | | | 15-1/8 | | 504 |
| CONOB 02(1) | H A12E1 | 1-01 * 5 | D21 | | 1 | N 12-7/8 | | 505 |
| CONOB 02(1) | H D20K1 | 1-02 * 5 | D19 | | 2 | N 12-1/8 | | 505 |
| CONOB 02(1) | H J19U2 | 1-03 * 5 | D27 | | | 25-0/8 | | 505 |
| CONOB 03(0) | H A13F1 | 1-01 * 5 | D21 | | 1 | N 15-1/8 | | 506 |
| CONOB 03(0) | H E04E2 | 1-02 * 5 | D27 | | | 15-1/8 | | 506 |
| CONOB 03(1) | H A13E1 | 1-01 * 5 | D21 | | 1 | N 12-7/8 | | 507 |
| CONOB 03(1) | H D21K1 | 1-02 * 5 | D19 | | 2 | N 11-3/8 | | 507 |
| CONOB 03(1) | H J19F1 | 1-03 * 5 | D27 | | | 24-2/8 | | 507 |
| CONOB 04(0) | H A14F1 | 1-01 * 5 | D21 | | 1 | N 15-7/8 | | 508 |
| CONOB 04(0) | H E04J2 | 1-02 * 5 | D27 | | | 15-7/8 | | 508 |
| CONOB 04(1) | H A14E1 | 1-01 * 5 | D21 | | 1 | N 12-7/8 | | 509 |
| CONOB 04(1) | H D22K1 | 1-02 * 5 | D19 | | 2 | N 9-3/8 | | 509 |
| CONOB 04(1) | H H19K2 | 1-03 * 5 | DXX | | | 22-2/8 | | 509 |
| CONOB 05(0) | H A15F1 | 1-01 * 5 | D21 | | 1 | N 20-5/8 | | 510 |
| CONOB 05(0) | H J13R2 | 1-02 * 5 | DXX | | | 20-5/8 | | 510 |
| CONOB 05(1) | H A15E1 | 1-01 * 5 | D21 | | 1 | N 12-7/8 | | 511 |
| CONOB 05(1) | H D23K1 | 1-02 * 5 | D19 | | 2 | N 10-5/8 | | 511 |
| CONOB 05(1) | H H19P1 | 1-03 * 5 | DXX | | | 23-4/8 | | 511 |
| CONOB 06(0) | H A16F1 | 1-01 * 5 | D21 | | 1 | N 20-3/8 | | 512 |
| CONOB 06(0) | H J13H2 | 1-02 * 5 | DXX | | | 20-3/8 | | 512 |

| DX11B.U RUN NAME | WRAPD .V35(102)-1 A/P PIN ORDER NAME | 03-JUN-77 BAY - O ORDER PIN | DRAW RV RG Y X Z OPT | REMARKS | 15-NOV-77 | 15148 NC LENGTH FLAG | PAGE 55 EXCEPTIONS | RUN NUMBER |
|---------------------|---|--------------------------------|-------------------------|---------|-----------|----------------------------|-----------------------|---------------|
| CONOB 06(1) | H A16E1 | 1-01 * 5 | D21 | | 1 | N 12-7/8 | | 513 |
| CONOB 06(1) | H D24K1 | 1-02 * 5 | D19 | | 2 | N 11-3/8 | | 513 |
| CONOB 06(1) | H H19U2 | 1-03 * 5 | D27 | | | 24-2/8 | | 513 |
| CONOB 07(0) | H A17F1 | 1-01 * 5 | D21 | | 1 | N 22-3/8 | | 514 |
| CONOB 07(0) | H J13V1 | 1-02 * 5 | DXX | | | 22-3/8 | | 514 |
| CONOB 07(1) | H A17E1 | 1-01 * 5 | D21 | | 1 | N 12-7/8 | | 515 |
| CONOB 07(1) | H D25K1 | 1-02 * 5 | D19 | | 2 | N 10-5/8 | | 515 |
| CONOB 07(1) | H H19F1 | 1-03 * 5 | DXX | | | 23-4/8 | | 515 |
| CONOB CLKA | A13B1 | 1-01 * 5 | D21 | | 2 | N 1 | | 516 |
| CONOB CLKA | A12B1 | 1-02 * 5 | D21 | | 1 | N 1 | | 516 |
| CONOB CLKA | A11B1 | 1-03 * 5 | D21 | | 2 | N 1 | | 516 |
| CONOB CLKA | A10B1 | 1-04 * 5 | D21 | | 1 | N 3-3/8 | | 516 |
| CONOB CLKA | B10C1 | 1-05 * 5 | D21 | | | 6-3/8 | | 516 |
| CONOB CLKB | A14B1 | 1-01 * 5 | D21 | | 2 | N 1 | | 517 |
| CONOB CLKB | A15B1 | 1-02 * 5 | D21 | | 1 | N 1 | | 517 |
| CONOB CLKB | A16B1 | 1-03 * 5 | D21 | | 2 | N 1 | | 517 |
| CONOB CLKB | A17B1 | 1-04 * 5 | D21 | | 1 | N 5-2/8 | | 517 |
| CONOB CLKB | B10F1 | 1-05 * 5 | D21 | | | 0-2/8 | | 517 |
| COUNT BA | L C03B2 | 1-01 * 5 | D07 | | 1 | N 4-2/8 | | 518 |
| COUNT BA | L D08B2 | 1-02 * 5 | D07 | | | 4-2/8 | | 518 |
| COUNT BC | L A25V2 | 1-01 * 5 | D08 | | 1 | N 3-5/8 | | 519 |
| COUNT BC | L B27B2 | 1-02 * 5 | D08 | | | 3-5/8 | | 519 |
| COUNT ITNDX | L A23B2 | 1-01 * 5 | D14 | | 1 | N 1-4/8 | | 520 |
| COUNT ITNDX | L A25K1 | 1-02 * 5 | D14 | | | 1-4/8 | | 520 |
| CR80 | H B03K2 | 1-01 * 5 | D25 | | 1 | N 0-4/8 | | 521 |
| CR80 | H B03M2 | 1-02 * 5 | D25 | | | 0-4/8 | | 521 |
| CR801 | H C07H1 | 1-01 * 5 | D25 | | 2 | N 1-6/8 | | 522 |
| CR801 | H C05A1 | 1-02 * 5 | D25 | | 1 | N 13-2/8 | | 522 |
| CR801 | H E21H1 | 1-03 * 5 | D11 | | 2 | N 5-3/8 | | 522 |
| CR801 | H E26T2 | 1-04 * 5 | D13 | | | 20-3/8 | | 522 |
| CR801 | L B03M2 | 1-01 * 5 | D25 | | 1 | N 2-7/8 | | 523 |
| CR801 | L A04L2 | 1-02 * 5 | D25 | | 2 | N 6-3/8 | | 523 |
| CR801 | L E24A1 | 1-03 * 5 | D11 | | 1 | N 14 | | 523 |
| CR801 | L | 1-04 * 5 | D11 | | | 23-2/8 | | 523 |

| DX118.U | | WRAPD .V35(102)-1 03-JUN-77 | | | | 15-NOV-77 | | | | PAGE 56 | | | | | | | |
|------------|-----|-----------------------------|-------|-----|-------|-----------|------|-----|----|---------|---|---|---|---------|-----------|------------|------------|
| RUN NAME | A/P | PIN NAME | ORDER | PIN | BAY - | Q | DRAW | OPT | RV | RG | Y | X | Z | REMARKS | NC LENGTH | EXCEPTIONS | RUN NUMBER |
| CRS01 OR 2 | H | A04N2 | | | 1-01 | * | D25 | | | | | | | | N | 5-1/8 | 524 |
| CRS01 OR 2 | H | B10D2 | | | 1-02 | * | D16 | | | | | | | | N | 0-5/8 | 524 |
| CRS01 OR 2 | H | B11H2 | | | 1-03 | * | D16 | | | | | | | | N | 1-1/8 | 524 |
| CRS01 OR 2 | H | B11W2 | | | 1-04 | * | D16 | | | | | | | | N | 0-4/8 | 524 |
| CRS01 OR 2 | H | B11R1 | | | 1-05 | * | D16 | | | | | | | | N | 0-5/8 | 524 |
| CRS01 OR 2 | H | B11U2 | | | 1-06 | * | D16 | | | | | | | | N | 2-5/8 | 524 |
| CRS01 OR 2 | H | B15R1 | | | 1-07 | * | D16 | | | | | | | | N | 1-1/8 | 524 |
| CRS01 OR 2 | H | B15K1 | | | 1-08 | * | D16 | | | | | | | | N | 0-4/8 | 524 |
| CRS01 OR 2 | H | B15H2 | | | 1-09 | * | D16 | | | | | | | | N | 0-5/8 | 524 |
| CRS01 OR 2 | H | B15D1 | | | 1-10 | * | D16 | | | | | | | | N | 0-5/8 | 524 |
| CRS01 OR 2 | H | | | | 1-11 | * | D09 | | | | | | | | N | 12-7/8 | 524 |
| CRS02 | L | B02F1 | | | 1-01 | * | D25 | | | | | | | | N | 3-5/8 | 525 |
| CRS02 | L | A04M2 | | | 1-02 | * | D25 | | | | | | | | N | 15-7/8 | 525 |
| CRS02 | L | E18F2 | | | 1-03 | * | D11 | | | | | | | | N | 19-4/8 | 525 |
| CRS02 | L | | | | 1-04 | * | | | | | | | | | N | 19-4/8 | 525 |
| CRS02 | L | | | | 1-05 | * | | | | | | | | | N | 5-3/8 | 526 |
| CRS02 | L | | | | 1-06 | * | | | | | | | | | N | 0-5/8 | 526 |
| CRS02 | L | | | | 1-07 | * | | | | | | | | | N | 0-4/8 | 526 |
| CRS02 | L | | | | 1-08 | * | | | | | | | | | N | 2-3/8 | 526 |
| CRS02 | L | | | | 1-09 | * | | | | | | | | | N | 1-1/8 | 526 |
| CRS02 | L | | | | 1-10 | * | | | | | | | | | N | 0-5/8 | 526 |
| CRS02 | L | | | | 1-11 | * | | | | | | | | | N | 1-1/8 | 526 |
| CRS02 | L | | | | 1-12 | * | | | | | | | | | N | 11-7/8 | 526 |
| CRS02 | L | | | | 1-13 | * | | | | | | | | | N | 26-4/8 | 526 |
| CRS02 | L | | | | 1-14 | * | | | | | | | | | N | 4 | 527 |
| CRS02 | L | | | | 1-15 | * | | | | | | | | | N | 6-1/8 | 527 |
| CRS02 | L | | | | 1-16 | * | | | | | | | | | N | 0-1/8 | 527 |
| CRS02 | L | | | | 1-17 | * | | | | | | | | | N | 11-3/8 | 527 |
| CRS02 | L | | | | 1-18 | * | | | | | | | | | N | 21-5/8 | 527 |
| CRS02 | L | | | | 1-19 | * | | | | | | | | | N | 1-7/8 | 527 |
| CRS02 | L | | | | 1-20 | * | | | | | | | | | N | 2-5/8 | 528 |
| CRS02 | L | | | | 1-21 | * | | | | | | | | | N | 1-7/8 | 528 |
| CRS02 | L | | | | 1-22 | * | | | | | | | | | N | 2-5/8 | 528 |
| CRS02 | L | | | | 1-23 | * | | | | | | | | | N | 2-5/8 | 529 |
| CRS02 | L | | | | 1-24 | * | | | | | | | | | N | 2-1/8 | 529 |
| CRS02 | L | | | | 1-25 | * | | | | | | | | | N | 2-1/8 | 530 |
| CRS02 | L | | | | 1-26 | * | | | | | | | | | N | 2-1/8 | 530 |
| CRS02 | L | | | | 1-27 | * | | | | | | | | | N | 2 | 531 |
| CRS02 | L | | | | 1-28 | * | | | | | | | | | N | 2-0/8 | 531 |
| CRS02 | L | | | | 1-29 | * | | | | | | | | | N | 1-5/8 | 532 |
| CRS02 | L | | | | 1-30 | * | | | | | | | | | N | 1-5/8 | 532 |
| CRS02 | L | | | | 1-31 | * | | | | | | | | | N | 1-5/8 | 532 |
| CRS02 | L | | | | 1-32 | * | | | | | | | | | N | 1-5/8 | 532 |

| DX118.U | | WRAPD .V35(102)-1 03-JUN-77 | | | | 15-NOV-77 | | | | PAGE 57 | | | | | | | |
|------------|-----|-----------------------------|-------|-----|-------|-----------|------|-----|----|---------|---|---|---|---------|-----------|------------|------------|
| RUN NAME | A/P | PIN NAME | ORDER | PIN | BAY - | Q | DRAW | OPT | RV | RG | Y | X | Z | REMARKS | NC LENGTH | EXCEPTIONS | RUN NUMBER |
| CUA 12X | H | A19M1 | | | 1-01 | * | D26 | | | | | | | | N | 1-3/8 | 533 |
| CUA 12X | H | A20F1 | | | 1-02 | * | D26 | | | | | | | | N | 1-3/8 | 533 |
| CUA 12X | H | | | | 1-03 | * | | | | | | | | | N | 1-3/8 | 533 |
| CUA 14X | H | A19T2 | | | 1-01 | * | D26 | | | | | | | | N | 1-5/8 | 534 |
| CUA 14X | H | A20H1 | | | 1-02 | * | D26 | | | | | | | | N | 1-5/8 | 534 |
| CUA 14X | H | | | | 1-03 | * | | | | | | | | | N | 1-5/8 | 534 |
| CUA 16X | H | A19S2 | | | 1-01 | * | D26 | | | | | | | | N | 1-5/8 | 535 |
| CUA 16X | H | A20J1 | | | 1-02 | * | D26 | | | | | | | | N | 1-5/8 | 535 |
| CUA 16X | H | | | | 1-03 | * | | | | | | | | | N | 1-5/8 | 535 |
| CUA 20X | H | A19R2 | | | 1-01 | * | D26 | | | | | | | | N | 1-1/8 | 536 |
| CUA 20X | H | A20K1 | | | 1-02 | * | D26 | | | | | | | | N | 1-1/8 | 536 |
| CUA 20X | H | | | | 1-03 | * | | | | | | | | | N | 1-1/8 | 536 |
| CUA 22X | H | A19P2 | | | 1-01 | * | D26 | | | | | | | | N | 0-5/8 | 537 |
| CUA 22X | H | A20L1 | | | 1-02 | * | D26 | | | | | | | | N | 0-5/8 | 537 |
| CUA 22X | H | | | | 1-03 | * | | | | | | | | | N | 0-5/8 | 537 |
| CUA 24X | H | A19N2 | | | 1-01 | * | D26 | | | | | | | | N | 0-1/8 | 538 |
| CUA 24X | H | A20M1 | | | 1-02 | * | D26 | | | | | | | | N | 0-1/8 | 538 |
| CUA 24X | H | | | | 1-03 | * | | | | | | | | | N | 0-1/8 | 538 |
| CUA 26X | H | A19J2 | | | 1-01 | * | D26 | | | | | | | | N | 1 | 539 |
| CUA 26X | H | A20N1 | | | 1-02 | * | D26 | | | | | | | | N | 1-0/8 | 539 |
| CUA 26X | H | | | | 1-03 | * | | | | | | | | | N | 1-0/8 | 539 |
| CUA 30X | H | A19H2 | | | 1-01 | * | D26 | | | | | | | | N | 1-3/8 | 540 |
| CUA 30X | H | A20P1 | | | 1-02 | * | D26 | | | | | | | | N | 1-3/8 | 540 |
| CUA 30X | H | | | | 1-03 | * | | | | | | | | | N | 1-3/8 | 540 |
| CUA 32X | H | A19F2 | | | 1-01 | * | D26 | | | | | | | | N | 1-5/8 | 541 |
| CUA 32X | H | A20R1 | | | 1-02 | * | D26 | | | | | | | | N | 1-5/8 | 541 |
| CUA 32X | H | | | | 1-03 | * | | | | | | | | | N | 1-5/8 | 541 |
| CUA 34X | H | A19E2 | | | 1-01 | * | D26 | | | | | | | | N | 1-7/8 | 542 |
| CUA 34X | H | A20S1 | | | 1-02 | * | D26 | | | | | | | | N | 1-7/8 | 542 |
| CUA 34X | H | | | | 1-03 | * | | | | | | | | | N | 1-7/8 | 542 |
| CUA 36X | H | A19K2 | | | 1-01 | * | D26 | | | | | | | | N | 1-7/8 | 543 |
| CUA 36X | H | A20V1 | | | 1-02 | * | D26 | | | | | | | | N | 1-7/8 | 543 |
| CUA 36X | H | | | | 1-03 | * | | | | | | | | | N | 1-7/8 | 543 |
| CUAR 00(0) | H | A10B1 | | | 1-01 | * | D15 | | | | | | | | N | 8-3/8 | 544 |
| CUAR 00(0) | H | B22H2 | | | 1-02 | * | D26 | | | | | | | | N | 8-3/8 | 544 |
| CUAR 00(0) | H | | | | 1-03 | * | | | | | | | | | N | 8-3/8 | 544 |

| DX118.U RUN NAME | WRAPD .V35(102)-1 A/P PIN ORDER PIN | 03-JUN-77 BAY ORDER | 15-NOV-77 G DRAW OPT | RV RC Y X Z | REMARKS | 15188 NC LENGTH FLAG | PAGE 58 EXCEPTIONS | RUN NUMBER |
|---------------------|--|------------------------|-------------------------|-------------|---------|----------------------------|-----------------------|---------------|
| CUAR 00(1) | H D0482 | 1-01 * | D07 | | | N 3-5/8 | | 545 |
| CUAR 00(1) | H D10T2 | 1-02 * | D19 | 2 | | N 7-3/8 | | 545 |
| CUAR 00(1) | H B08N1 | 1-03 * | D10 | 2 | | N 3-3/8 | | 545 |
| CUAR 00(1) | H A10U1 | 1-04 * | D15 | 1 | | N 7-7/8 | | 545 |
| CUAR 00(1) | H B22E2 | 1-05 * | D26 | 2 | | N 5-3/8 | | 545 |
| CUAR 00(1) | H A39T2 | 1-06 * | D22 | 1 | | N 14-5/8 | | 545 |
| CUAR 00(1) | H F31V1 | 1-07 * | D13 | 1 | | 43-2/8 | | 545 |
| CUAR 01(0) | H A1181 | 1-01 * | D15 | 1 | | N 8-5/8 | | 546 |
| CUAR 01(0) | H B22R1 | 1-02 * | D26 | 1 | | 8-5/8 | | 546 |
| CUAR 01(1) | H D11T2 | 1-01 * | D19 | 2 | | N 3-5/8 | | 547 |
| CUAR 01(1) | H D05B2 | 1-02 * | D07 | 1 | | N 7-1/8 | | 547 |
| CUAR 01(1) | H B08E2 | 1-03 * | D10 | 2 | | N 4-1/8 | | 547 |
| CUAR 01(1) | H A11U1 | 1-04 * | D15 | 1 | | N 8-1/8 | | 547 |
| CUAR 01(1) | H B22M1 | 1-05 * | D26 | 2 | | N 6-3/8 | | 547 |
| CUAR 01(1) | H A39B2 | 1-06 * | D22 | 1 | | N 14-1/8 | | 547 |
| CUAR 01(1) | H F31L2 | 1-07 * | D13 | 1 | | 43-4/8 | | 547 |
| CUAR 02(0) | H A12S1 | 1-01 * | D15 | 1 | | N 7-3/8 | | 548 |
| CUAR 02(0) | H B22K1 | 1-02 * | D26 | 1 | | 7-3/8 | | 548 |
| CUAR 02(1) | H D12T2 | 1-01 * | D19 | 2 | | N 3-5/8 | | 549 |
| CUAR 02(1) | H D06B2 | 1-02 * | D07 | 1 | | N 7-3/8 | | 549 |
| CUAR 02(1) | H B08H1 | 1-03 * | D10 | 2 | | N 3-2/8 | | 549 |
| CUAR 02(1) | H A12U1 | 1-04 * | D15 | 1 | | N 6-7/8 | | 549 |
| CUAR 02(1) | H B22H1 | 1-05 * | D26 | 2 | | N 6-1/8 | | 549 |
| CUAR 02(1) | H A39R2 | 1-06 * | D22 | 1 | | N 14-3/8 | | 549 |
| CUAR 02(1) | H F31S1 | 1-07 * | D13 | 1 | | 41-5/8 | | 549 |
| CUAR 03(0) | H A13S1 | 1-01 * | D15 | 1 | | N 6-3/8 | | 550 |
| CUAR 03(0) | H B22D1 | 1-02 * | D26 | 1 | | 6-3/8 | | 550 |
| CUAR 03(1) | H A29P2 | 1-01 * | D22 | 2 | | N 9-3/8 | | 551 |
| CUAR 03(1) | H B22B1 | 1-02 * | D26 | 1 | | N 9-7/8 | | 551 |
| CUAR 03(1) | H A13U1 | 1-03 * | D15 | 2 | | N 3-3/8 | | 551 |
| CUAR 03(1) | H B08L2 | 1-04 * | D10 | 1 | | N 8-5/8 | | 551 |
| CUAR 03(1) | H D03N1 | 1-05 * | D07 | 2 | | N 6-1/8 | | 551 |
| CUAR 03(1) | H D13T2 | 1-06 * | D19 | 1 | | N 13-1/8 | | 551 |
| CUAR 03(1) | H F31H1 | 1-07 * | D13 | 1 | | 43-4/8 | | 551 |
| CUAR 04(0) | H A28D1 | 1-01 * | | 1 | | N 8-7/8 | | 552 |
| CUAR 04(0) | H A14S1 | 1-02 * | | 1 | | 8-7/8 | | 552 |

| DX118.U RUN NAME | WRAPD .V35(102)-1 A/P PIN ORDER PIN | 03-JUN-77 BAY ORDER | 15-NOV-77 G DRAW OPT | RV RC Y X Z | REMARKS | 15148 NC LENGTH FLAG | PAGE 59 EXCEPTIONS | RUN NUMBER |
|---------------------|--|------------------------|-------------------------|-------------|---------|----------------------------|-----------------------|---------------|
| CUAR 04(1) | H A28B1 | 1-01 * | D22 | 2 | | N 2-2/8 | | 553 |
| CUAR 04(1) | H A29N2 | 1-02 * | D15 | 1 | | N 8-7/8 | | 553 |
| CUAR 04(1) | H A14U1 | 1-03 * | D10 | 2 | | N 3-6/8 | | 553 |
| CUAR 04(1) | H B09N1 | 1-04 * | D07 | 1 | | N 8-1/8 | | 553 |
| CUAR 04(1) | H D04N1 | 1-05 * | D19 | 2 | | N 6-1/8 | | 553 |
| CUAR 04(1) | H D14T2 | 1-06 * | D19 | 1 | | N 13-1/8 | | 553 |
| CUAR 04(1) | H F30V1 | 1-07 * | D13 | 1 | | 42-2/8 | | 553 |
| CUAR 05(0) | H A15B1 | 1-01 * | | 1 | | N 7-5/8 | | 554 |
| CUAR 05(0) | H A28K1 | 1-02 * | | 1 | | 7-5/8 | | 554 |
| CUAR 05(1) | H A28H1 | 1-01 * | D22 | 2 | | N 1-3/8 | | 555 |
| CUAR 05(1) | H A29M2 | 1-02 * | D15 | 1 | | N 8-3/8 | | 555 |
| CUAR 05(1) | H A15U1 | 1-03 * | D10 | 2 | | N 4-2/8 | | 555 |
| CUAR 05(1) | H B09B2 | 1-04 * | D07 | 1 | | N 7-3/8 | | 555 |
| CUAR 05(1) | H D05N1 | 1-05 * | D19 | 2 | | N 6-1/8 | | 555 |
| CUAR 05(1) | H D15T2 | 1-06 * | D19 | 1 | | N 12-3/8 | | 555 |
| CUAR 05(1) | H F30L2 | 1-07 * | D13 | 1 | | 39-7/8 | | 555 |
| CUAR 06(0) | H A16S1 | 1-01 * | | 1 | | N 6-5/8 | | 556 |
| CUAR 06(0) | H A28R1 | 1-02 * | | 1 | | 6-5/8 | | 556 |
| CUAR 06(1) | H A28N1 | 1-01 * | D22 | 2 | | N 1-3/8 | | 557 |
| CUAR 06(1) | H A29L2 | 1-02 * | D15 | 1 | | N 8-1/8 | | 557 |
| CUAR 06(1) | H A16U1 | 1-03 * | D10 | 2 | | N 5-3/8 | | 557 |
| CUAR 06(1) | H B09H1 | 1-04 * | D07 | 1 | | N 7-5/8 | | 557 |
| CUAR 06(1) | H D06N1 | 1-05 * | D19 | 2 | | N 6-1/8 | | 557 |
| CUAR 06(1) | H D16T2 | 1-06 * | D19 | 1 | | N 10-7/8 | | 557 |
| CUAR 06(1) | H F30S1 | 1-07 * | D13 | 1 | | 39-4/8 | | 557 |
| CUAR 07(0) | H A17S1 | 1-01 * | | 1 | | N 7-1/8 | | 558 |
| CUAR 07(0) | H A28H2 | 1-02 * | | 1 | | 7-1/8 | | 558 |
| CUAR 07(1) | H A28E2 | 1-01 * | D22 | 2 | | N 1-1/8 | | 559 |
| CUAR 07(1) | H A29K2 | 1-02 * | D15 | 1 | | N 7-5/8 | | 559 |
| CUAR 07(1) | H A17U1 | 1-03 * | D10 | 2 | | N 5-7/8 | | 559 |
| CUAR 07(1) | H B09L2 | 1-04 * | D07 | 1 | | N 8-5/8 | | 559 |
| CUAR 07(1) | H D03L2 | 1-05 * | D07 | 2 | | N 8-1/8 | | 559 |
| CUAR 07(1) | H D17T2 | 1-06 * | D19 | 1 | | N 10-5/8 | | 559 |
| CUAR 07(1) | H F30H1 | 1-07 * | D13 | 1 | | 42-0/8 | | 559 |
| CUAR CLKA | H A13N1 | 1-01 * | D15 | 2 | | N 1 | | 560 |
| CUAR CLKA | H A12N1 | 1-02 * | D15 | 1 | | N 1 | | 560 |
| CUAR CLKA | H A11N1 | 1-03 * | D15 | 1 | | N 1 | | 560 |
| CUAR CLKA | H B10N1 | 1-04 * | D15 | 2 | | N 3-2/8 | | 560 |
| CUAR CLKA | H B10N1 | 1-05 * | D15 | 1 | | 6-2/8 | | 560 |

| DX118-U RUN NAME | WRAPD .V35(102)-1 A/P PIN ORDER BAY - Q NAME ORDER | 03-JUN-77 DRAW OPT | RV RG Y | X Z | REMARKS | 15-NOV-77 | 15148 NC LENGTH FLAG | PAGE 60 EXCEPTIONS | RUN NUMBER |
|---------------------|--|-----------------------|---------|-----|---------|-----------|----------------------------|-----------------------|---------------|
| CUAR CLKB | A17N1 | 1-01 * | D15 | | | | N 1 | | 561 |
| CUAR CLKB | A18N1 | 1-02 * | D15 | 2 | | | N 1 | | 561 |
| CUAR CLKB | A18N1 | 1-03 * | D15 | 1 | | | N 1 | | 561 |
| CUAR CLKB | A14N1 | 1-04 * | D15 | 2 | | | N 1 | | 561 |
| CUAR CLKB | B10B1 | 1-05 * | D15 | 1 | | | N 5-3/8 | | 561 |
| CUAR DATA LOAD | B11D1 | 1-01 * | D15 | | | | 0-3/8 | | 561 |
| CUAR DATA LOAD | B10H1 | 1-02 * | D15 | 2 | | | N 1-2/8 | | 562 |
| CUAR DATA LOAD | B11K1 | 1-03 * | D15 | 1 | | | N 1 | | 562 |
| CUAR DATA LOAD | B12U2 | 1-04 * | D15 | 2 | | | N 1-6/8 | | 562 |
| CUAR DATA LOAD | B12R1 | 1-05 * | D15 | 1 | | | N 0-5/8 | | 562 |
| CUAR DATA LOAD | B12N2 | 1-06 * | D15 | 2 | | | N 0-4/8 | | 562 |
| CUAR DATA LOAD | B12K1 | 1-07 * | D15 | 1 | | | N 0-5/8 | | 562 |
| CUAR DATA LOAD | B12H2 | 1-08 * | D15 | 2 | | | N 0-4/8 | | 562 |
| CUAR DATA LOAD | B12D1 | 1-09 * | D15 | 1 | | | N 0-5/8 | | 562 |
| CUAR DATA LOAD | B25E1 | 1-10 * | D15 | 2 | | | N 6-7/8 | | 562 |
| CUBBY(0) | C06H1 | 1-01 * | D24 | 1 | | | 13-6/8 | | 562 |
| CUBBY(0) | C10F1 | 1-02 * | D06 | 1 | | | N 6-5/8 | | 563 |
| CUBBY(0) | C10F1 | 1-02 * | D06 | 1 | | | 6-5/8 | | 563 |
| CUBBY(1) | A30J1 | 1-01 * | D22 | 1 | | | N 14-1/8 | | 564 |
| CUBBY(1) | D10M1 | 1-02 * | D19 | 2 | | | N 4 | | 564 |
| CUBBY(1) | C18E1 | 1-03 * | D06 | 1 | | | 18-1/8 | | 564 |
| CUCR 00(0) | A10W2 | 1-01 * | D16 | 2 | | | N 3-7/8 | | 565 |
| CUCR 00(0) | B05B1 | 1-02 * | D25 | 1 | | | N 5-1/8 | | 565 |
| CUCR 00(0) | C04U2 | 1-03 * | D24 | 1 | | | 9-0/8 | | 565 |
| CUCR 00(1) | A29J2 | 1-01 * | D22 | 1 | | | N 11-3/8 | | 566 |
| CUCR 00(1) | A10V1 | 1-02 * | D16 | 2 | | | N 4-1/8 | | 566 |
| CUCR 00(1) | B05E1 | 1-03 * | D25 | 1 | | | N 5-3/8 | | 566 |
| CUCR 00(1) | B13P1 | 1-04 * | D10 | 2 | | | N 8-7/8 | | 566 |
| CUCR 00(1) | D10T2 | 1-05 * | D19 | 1 | | | N 9-3/8 | | 566 |
| CUCR 00(1) | F31U1 | 1-06 * | D13 | 1 | | | 39-1/8 | | 566 |
| CUCR 01(0) | A11V2 | 1-01 * | D16 | 1 | | | N 8-4/8 | | 567 |
| CUCR 01(0) | C04T2 | 1-02 * | D24 | 1 | | | 8-4/8 | | 567 |
| CUCR 01(1) | A29H2 | 1-01 * | D22 | 1 | | | N 10-7/8 | | 568 |
| CUCR 01(1) | A11V1 | 1-02 * | D16 | 2 | | | N 4-1/8 | | 568 |
| CUCR 01(1) | B13T2 | 1-03 * | D10 | 1 | | | N 8-5/8 | | 568 |
| CUCR 01(1) | D19T2 | 1-04 * | D19 | 2 | | | N 9-6/8 | | 568 |
| CUCR 01(1) | F31K2 | 1-05 * | D13 | 1 | | | 33-3/8 | | 568 |
| CUCR 02(0) | A04P2 | 1-01 * | D24 | 1 | | | N 5-1/8 | | 569 |
| CUCR 02(0) | A12V2 | 1-02 * | D16 | 1 | | | 5-1/8 | | 569 |

| DX118-U RUN NAME | WRAPD .V35(102)-1 A/P PIN ORDER BAY - Q NAME ORDER | 03-JUN-77 DRAW OPT | RV RG Y | X Z | REMARKS | 15-NOV-77 | 15148 NC LENGTH FLAG | PAGE 61 EXCEPTIONS | RUN NUMBER |
|---------------------|--|-----------------------|---------|-----|---------|-----------|----------------------------|-----------------------|---------------|
| CUCR 02(1) | A29F2 | 1-01 * | D22 | 2 | | | N 11-3/8 | | 570 |
| CUCR 02(1) | B13F1 | 1-02 * | D10 | 1 | | | N 2-1/8 | | 570 |
| CUCR 02(1) | A12V1 | 1-03 * | D16 | 2 | | | N 4-3/8 | | 570 |
| CUCR 02(1) | A04U2 | 1-04 * | D24 | 1 | | | N 11-7/8 | | 570 |
| CUCR 02(1) | D20T2 | 1-05 * | D19 | 2 | | | N 7-6/8 | | 570 |
| CUCR 02(1) | F31R1 | 1-06 * | D13 | 1 | | | 37-4/8 | | 570 |
| CUCR 03(0) | A13V2 | 1-01 * | D16 | 1 | | | N 7 | | 571 |
| CUCR 03(0) | C04R2 | 1-02 * | D24 | 1 | | | 7-0/8 | | 571 |
| CUCR 03(1) | A29E2 | 1-01 * | D22 | 1 | | | N 10-1/8 | | 572 |
| CUCR 03(1) | A13V1 | 1-02 * | D16 | 2 | | | N 2-1/8 | | 572 |
| CUCR 03(1) | B13K2 | 1-03 * | D10 | 1 | | | N 10-5/8 | | 572 |
| CUCR 03(1) | D21T2 | 1-04 * | D19 | 2 | | | N 7-3/8 | | 572 |
| CUCR 03(1) | F31F1 | 1-05 * | D13 | 1 | | | 30-2/8 | | 572 |
| CUCR 04(0) | A14V2 | 1-01 * | D16 | 1 | | | N 7-7/8 | | 573 |
| CUCR 04(0) | C04P1 | 1-02 * | D24 | 1 | | | 7-7/8 | | 573 |
| CUCR 04(1) | A29D2 | 1-01 * | D22 | 1 | | | N 9-7/8 | | 574 |
| CUCR 04(1) | A14V1 | 1-02 * | D16 | 2 | | | N 2-5/8 | | 574 |
| CUCR 04(1) | B14F1 | 1-03 * | D10 | 1 | | | N 9-1/8 | | 574 |
| CUCR 04(1) | D23T2 | 1-04 * | D19 | 2 | | | N 9-2/8 | | 574 |
| CUCR 04(1) | F30U1 | 1-05 * | D13 | 1 | | | 30-7/8 | | 574 |
| CUCR 05(0) | A15V2 | 1-01 * | D16 | 1 | | | N 9-4/8 | | 575 |
| CUCR 05(0) | C04P1 | 1-02 * | D24 | 1 | | | 9-4/8 | | 575 |
| CUCR 05(1) | A29C2 | 1-01 * | D22 | 1 | | | N 9-3/8 | | 576 |
| CUCR 05(1) | A15V1 | 1-02 * | D16 | 2 | | | N 3-1/8 | | 576 |
| CUCR 05(1) | B14T2 | 1-03 * | D10 | 1 | | | N 8-1/8 | | 576 |
| CUCR 05(1) | D23T2 | 1-04 * | D19 | 2 | | | N 7-1/8 | | 576 |
| CUCR 05(1) | F30K2 | 1-05 * | D13 | 1 | | | 27-6/8 | | 576 |
| CUCR 06(0) | A16V2 | 1-01 * | D16 | 1 | | | N 10-4/8 | | 577 |
| CUCR 06(0) | C04N1 | 1-02 * | D24 | 1 | | | 10-4/8 | | 577 |
| CUCR 06(1) | A29B2 | 1-01 * | D22 | 1 | | | N 9-1/8 | | 578 |
| CUCR 06(1) | A16V1 | 1-02 * | D16 | 2 | | | N 2-1/8 | | 578 |
| CUCR 06(1) | B14F1 | 1-03 * | D10 | 1 | | | N 10-3/8 | | 578 |
| CUCR 06(1) | D24T2 | 1-04 * | D19 | 2 | | | N 8-1/8 | | 578 |
| CUCR 06(1) | F30R1 | 1-05 * | D13 | 1 | | | 29-6/8 | | 578 |
| CUCR 07(0) | A17V2 | 1-01 * | D16 | 1 | | | N 11-5/8 | | 579 |
| CUCR 07(0) | C04M1 | 1-02 * | D24 | 1 | | | 11-5/8 | | 579 |

92

| DX118.U RUN NAME | WRAPD .V35(102)-1 A/P PIN ORDER NAME | 03-JUN-77 DAY - G ORDER PIN | 15-NOV-77 RV RC Y X Z | REMARKS | 15148 PAGE 62 NC LENGTH EXCEPTIONS FLAG | RUN NUMBER |
|---------------------|---|--------------------------------|--------------------------|---------|--|---------------|
| CUCR 07(1) | H A29A2 | 1-01 * | D22 | 1 | N 0-5/8 | 500 |
| CUCR 07(1) | H A17V1 | 1-02 * | D16 | 2 | N 2-5/8 | 500 |
| CUCR 07(1) | H B14K2 | 1-03 * | D10 | 1 | N 9-1/8 | 500 |
| CUCR 07(1) | H D29T2 | 1-04 * | D19 | 2 | N 6-5/8 | 500 |
| CUCR 07(1) | H F30F1 | 1-05 * | D13 | 1 | 27-0/8 | 500 |
| CUCR 07(1) | H | 1 | | | | |
| CUCR CLK EN | L B10F2 | 1-01 * | D16 | 1 | N 0-1/8 | 501 |
| CUCR CLK EN | L B10H2 | 1-02 * | D16 | 2 | N 0-5/8 | 501 |
| CUCR CLK EN | L B10L2 | 1-03 * | D16 | 1 | 0-6/8 | 501 |
| CUCR CLK EN | L | 1 | | | | |
| CUCR CLKA | L A17B2 | 1-01 * | D16 | 2 | N 1 | 502 |
| CUCR CLKA | L A16B2 | 1-02 * | D16 | 2 | N 1 | 502 |
| CUCR CLKA | L A15B2 | 1-03 * | D16 | 1 | N 1 | 502 |
| CUCR CLKA | L A14B2 | 1-04 * | D16 | 2 | N 3-2/8 | 502 |
| CUCR CLKA | L B10K2 | 1-05 * | D16 | 1 | 6-2/8 | 502 |
| CUCR CLKA | L | 1 | | | | |
| CUCR CLKB | L A13B2 | 1-01 * | D16 | 2 | N 1 | 503 |
| CUCR CLKB | L A12B2 | 1-02 * | D16 | 1 | N 1 | 503 |
| CUCR CLKB | L A11B2 | 1-03 * | D16 | 2 | N 1 | 503 |
| CUCR CLKB | L A10B2 | 1-04 * | D16 | 1 | N 2-7/8 | 503 |
| CUCR CLKB | L B10N2 | 1-05 * | D16 | 1 | 5-7/8 | 503 |
| CUCR CLKB | L | 1 | | | | |
| CUD | H E20B1 | 1-01 * S | D05 | 1 | N 2-7/8 | 504 |
| CUD | H E23E2 | 1-02 * | D11 | 1 | 2-7/8 | 504 |
| CUD | H | 1 | | | | |
| CUD | L D01V2 | 1-01 * S | D05 | 2 | N 4-1/8 | 505 |
| CUD | L C01P1 | 1-02 * | D05 | 1 | N 7-3/8 | 505 |
| CUD | L C14K1 | 1-03 * | D05 | 2 | N 9-3/8 | 505 |
| CUD | L E20K1 | 1-04 * | D05 | 1 | 20-7/8 | 505 |
| CUD | L | 1 | | | | |
| CUDEND(1) | H A29N1 | 1-01 * | D22 | 2 | N 5 | 506 |
| CUDEND(1) | H B23E2 | 1-02 * | D24 | 1 | N 0-5/8 | 506 |
| CUDEND(1) | H B09N1 | 1-03 * | D10 | 2 | N 0-3/8 | 506 |
| CUDEND(1) | H D14S2 | 1-04 * | D19 | 1 | N 3-5/8 | 506 |
| CUDEND(1) | H C14N1 | 1-05 * S | D05 | 1 | 25-5/8 | 506 |
| CUDEND(1) | H | 1 | | | | |
| CUDX(0) | H B01D2 | 1-01 * | D11 | 2 | N 1 | 507 |
| CUDX(0) | H B02J1 | 1-02 * | D25 | 1 | N 2 | 507 |
| CUDX(0) | H B04U2 | 1-03 * | D25 | 2 | N 2-7/8 | 507 |
| CUDX(0) | H C08B1 | 1-04 * | D25 | 1 | N 10-3/8 | 507 |
| CUDX(0) | H E21B1 | 1-05 * | D11 | 1 | N 4-7/8 | 507 |
| CUDX(0) | H C10V2 | 1-06 * S | D11 | 2 | 21-1/8 | 507 |
| CUDX(0) | H | 1 | | | | |

| DX118.U RUN NAME | WRAPD .V35(102)-1 A/P PIN ORDER NAME | 03-JUN-77 DAY - G ORDER PIN | 15-NOV-77 RV RC Y X Z | REMARKS | 15148 PAGE 63 NC LENGTH EXCEPTIONS FLAG | RUN NUMBER |
|---------------------|---|--------------------------------|--------------------------|---------|--|---------------|
| CUDX(1) | H A32L1 | 1-01 * | D22 | 2 | N 11-1/8 | 508 |
| CUDX(1) | H D18F1 | 1-02 * | D19 | 1 | N 0-3/8 | 508 |
| CUDX(1) | H C08D1 | 1-03 * | D25 | 2 | N 3-4/8 | 508 |
| CUDX(1) | H B04M1 | 1-04 * | D25 | 1 | N 1-7/8 | 508 |
| CUDX(1) | H B01J2 | 1-05 * | D11 | 2 | N 3-1/8 | 508 |
| CUDX(1) | H C02J1 | 1-06 * | D24 | 1 | N 9-5/8 | 508 |
| CUDX(1) | H C10U2 | 1-07 * S | D11 | 1 | 37-5/8 | 508 |
| CUDX(1) | H | 1 | | | | |
| CUEND(0) | H C04H1 | 1-01 * | D24 | 1 | N 6-3/8 | 509 |
| CUEND(0) | H C15K2 | 1-02 * S | D09 | 1 | 6-3/8 | 509 |
| CUEND(0) | H | 1 | | | | |
| CUEND(1) | H A31A1 | 1-01 * | D22 | 1 | N 14-5/8 | 590 |
| CUEND(1) | H F30H2 | 1-02 * | D13 | 2 | N 12-5/8 | 590 |
| CUEND(1) | H D15N1 | 1-03 * | D19 | 1 | N 5-6/8 | 590 |
| CUEND(1) | H C08E2 | 1-04 * | D05 | 2 | N 3-3/8 | 590 |
| CUEND(1) | H B09T2 | 1-05 * | D10 | 1 | N 4-7/8 | 590 |
| CUEND(1) | H C15J2 | 1-06 * S | D09 | 1 | 41-2/8 | 590 |
| CUEND(1) | H | 1 | | | | |
| CUFBM(0) | H C24E1 | 1-01 * S | D06 | 1 | N 15-5/8 | 591 |
| CUFBM(0) | H E03B1 | 1-02 * | D24 | 1 | 15-5/8 | 591 |
| CUFBM(0) | H | 1 | | | | |
| CUFBM(1) | H A05P2 | 1-01 * | D25 | 2 | N 14-1/8 | 592 |
| CUFBM(1) | H A30B1 | 1-02 * | D22 | 1 | N 12-5/8 | 592 |
| CUFBM(1) | H D24M1 | 1-03 * | D19 | 2 | N 3-7/8 | 592 |
| CUFBM(1) | H C24F1 | 1-04 * S | D06 | 1 | 30-5/8 | 592 |
| CUFBM(1) | H | 1 | | | | |
| CUIS | L B19B1 | 1-01 * | D11 | 1 | N 1-6/8 | 593 |
| CUIS | L B19N1 | 1-02 * | D11 | 2 | N 0-3/8 | 593 |
| CUIS | L E21D2 | 1-03 * | D11 | 1 | N 0-5/8 | 593 |
| CUIS | L E22E2 | 1-04 * | D11 | 2 | N 1-5/8 | 593 |
| CUIS | L E22R2 | 1-05 * | D11 | 1 | N 4-3/8 | 593 |
| CUIS | L E15B1 | 1-06 * | D11 | 2 | N 7-3/8 | 593 |
| CUIS | L E04C1 | 1-07 * S | D24 | 1 | 24-1/8 | 593 |
| CUIS | L | 1 | | | | |
| CUIS | L B19J1 | 1-01 * | D11 | 2 | N 1-1/8 | 594 |
| CUIS | L B19P1 | 1-02 * | D11 | 1 | N 0-3/8 | 594 |
| CUIS | L E21E2 | 1-03 * | D11 | 2 | N 1-1/8 | 594 |
| CUIS | L E22F2 | 1-04 * | D11 | 1 | N 1-6/8 | 594 |
| CUIS | L E22T2 | 1-05 * | D11 | 2 | N 5-3/8 | 594 |
| CUIS | L E15E2 | 1-06 * | D11 | 1 | N 6-1/8 | 594 |
| CUIS | L E04F1 | 1-07 * S | D24 | 1 | 23-7/8 | 594 |
| CUIS | L | 1 | | | | |
| CUOR 10 | H D05K2 | 1-01 * | D07 | 2 | N 4-7/8 | 595 |
| CUOR 10 | H E11R2 | 1-02 * | DXX | 1 | N 7-3/8 | 595 |
| CUOR 10 | H D20N1 | 1-03 * | D19 | 1 | 12-2/8 | 595 |

| DX11B,U RUN NAME | A/P NAME | WRAP .V35(102)-1 ORDER PIN | 03-JUN-77 DAY - G ORDER | DRAM RV RG Y | OPT OPT | 15-NOV-77 REMARKS | 15148 NC LENGTH FLAG | PAGE 64 EXCEPTIONS | RUN NUMBER |
|---------------------|-------------|-------------------------------|-------------------------------|-----------------|------------|----------------------|----------------------------|-----------------------|---------------|
| CUOR 11 | | D06K2 | 1-01 * | D07 | | 2 | N 4-6/8 | | 596 |
| CUOR 11 | | E11P2 | 1-02 * | DXX | | 1 | N 7-7/8 | | 596 |
| CUOR 11 | | D21N1 | 1-03 * | D19 | | | 13-5/8 | | 596 |
| CUOR 12 | | D03P1 | 1-01 * | D07 | | 2 | N 7-2/8 | | 597 |
| CUOR 12 | | E11L2 | 1-02 * | DXX | | 1 | N 7-7/8 | | 597 |
| CUOR 12 | | D22M1 | 1-03 * | D19 | | | 15-1/8 | | 597 |
| CUOR 13 | | D06F1 | 1-01 * | D07 | | 2 | N 5-3/8 | | 598 |
| CUOR 13 | | E11L1 | 1-02 * | DXX | | 1 | N 8-9/8 | | 598 |
| CUOR 13 | | D23N1 | 1-03 * | D19 | | | 14-0/8 | | 598 |
| CUOR 14 | | D05P1 | 1-01 * | D07 | | 2 | N 4-7/8 | | 599 |
| CUOR 14 | | E11H2 | 1-02 * | DXX | | 1 | N 8-5/8 | | 599 |
| CUOR 14 | | D24N1 | 1-03 * | D19 | | | 13-4/8 | | 599 |
| CUOR 15 | | D06F1 | 1-01 * | D07 | | 2 | N 4-2/8 | | 600 |
| CUOR 15 | | E11P2 | 1-02 * | DXX | | 1 | N 8-7/8 | | 600 |
| CUOR 15 | | D25N1 | 1-03 * | D19 | | | 13-1/8 | | 600 |
| CUSR CLK EN | | E05M2 | 1-01 * | D09 | | 2 | N 1-3/8 | | 601 |
| CUSR CLK EN | | E05D2 | 1-02 * | D09 | | 1 | N 4-5/8 | | 601 |
| CUSR CLK EN | | E14E1 | 1-03 * 8 | D09 | | | 6-0/8 | | 601 |
| CUSR CLK ENA | | E05N2 | 1-01 * 8 | D09 | | 1 | N 0-1/8 | | 602 |
| CUSR CLK ENA | | E05P2 | 1-02 * | D09 | | 2 | N 0-5/8 | | 602 |
| CUSR CLK ENA | | E05T2 | 1-03 * | D09 | | | 0-6/8 | | 602 |
| CUSRNZ | H | B07D1 | 1-01 * | DXX | | 1 | N 18-1/8 | | 603 |
| CUSRNZ | H | F20K2 | 1-02 * | DXX | | | 18-1/8 | | 603 |
| CUSRNZ | L | A09T2 | 1-01 * | DXX | | 1 | N 2-3/8 | | 604 |
| CUSRNZ | L | B07E1 | 1-02 * | DXX | | 2 | N 1-3/8 | | 604 |
| CUSRNZ | L | B06M1 | 1-03 * | DXX | | | 3-6/8 | | 604 |
| D01C1 | | C25J1 | 1-01 * | D05 | | 1 | N 14-5/8 | | 605 |
| D01C1 | | D01C1 | 1-02 * | D05 | | | 14-5/8 | | 605 |
| D01P1 | | C23J1 | 1-01 * | D05 | | 1 | N 13-7/8 | | 606 |
| D01P1 | | D01P1 | 1-02 * | D05 | | | 13-7/8 | | 606 |
| D01P2 | | C20J1 | 1-01 * | D05 | | 1 | N 12-1/8 | | 607 |
| D01P2 | | D01P2 | 1-02 * | D05 | | | 12-1/8 | | 607 |

| DX11B,U RUN NAME | A/P NAME | WRAP .V35(102)-1 ORDER PIN | 03-JUN-77 DAY - G ORDER | DRAM RV RG Y | OPT OPT | 15-NOV-77 REMARKS | 15148 NC LENGTH FLAG | PAGE 65 EXCEPTIONS | RUN NUMBER |
|---------------------|-------------|-------------------------------|-------------------------------|-----------------|------------|----------------------|----------------------------|-----------------------|---------------|
| D01K2 | | C10J1 | 1-01 * | D05 | | 1 | N 11-5/8 | | 608 |
| D01K2 | | D01K2 | 1-02 * | D05 | | | 11-5/8 | | 608 |
| D01N1 | | C21J1 | 1-01 * | D05 | | 1 | N 13-5/8 | | 609 |
| D01N1 | | D01N1 | 1-02 * | D05 | | | 13-5/8 | | 609 |
| D01N2 | | C17J1 | 1-01 * | D05 | | 1 | N 11-3/8 | | 610 |
| D01N2 | | D01N2 | 1-02 * | D05 | | | 11-3/8 | | 610 |
| D01S1 | | C19J1 | 1-01 * | D05 | | 1 | N 13-1/8 | | 611 |
| D01S1 | | D01S1 | 1-02 * | D05 | | | 13-1/8 | | 611 |
| D01S2 | | D01S2 | 1-01 * | D05 | | 1 | N 0-1/8 | | 612 |
| D01S2 | | D01T2 | 1-02 * | D05 | | | 0-1/8 | | 612 |
| D02C1 | | D02C1 | 1-01 * | D24 | | 1 | N 0-1/8 | | 613 |
| D02C1 | | D02D1 | 1-02 * | D24 | | | 0-1/8 | | 613 |
| D02K1 | | D02K1 | 1-01 * | D24 | | 1 | N 3-7/8 | | 614 |
| D02K1 | | E03L2 | 1-02 * | D24 | | | 3-7/8 | | 614 |
| D02N1 | | D02N1 | 1-01 * | D05 | | 1 | N 10 | | 615 |
| D02N1 | | F14P1 | 1-02 * | D05 | | | 10-0/8 | | 615 |
| D02N2 | | B06B1 | 1-01 * | E25 | | 1 | N 8-5/8 | | 616 |
| D02N2 | | D02N2 | 1-02 * 8 | D25 | | | 8-5/8 | | 616 |
| D02S1 | | C08K2 | 1-01 * | D25 | | 1 | N 5-2/8 | | 617 |
| D02S1 | | D02S1 | 1-02 * 8 | D25 | | | 5-2/8 | | 617 |
| D07N1 | | D07J2 | 1-01 * | D07 | | 1 | N 1 | | 618 |
| D07N1 | | D07N1 | 1-02 * | D07 | | | 1-0/8 | | 618 |
| D07P1 | | D07K2 | 1-01 * | D07 | | 1 | N 1 | | 619 |
| D07P1 | | D07P1 | 1-02 * | D07 | | | 1-0/8 | | 619 |
| D08E1 | | D07S2 | 1-01 * | D07 | | 1 | N 1-7/8 | | 620 |
| D08E1 | | D08E1 | 1-02 * 8 | D07 | | | 1-7/8 | | 620 |
| D08F1 | | D07U2 | 1-01 * | D07 | | 1 | N 2-1/8 | | 621 |
| D08F1 | | D08F1 | 1-02 * 8 | D07 | | | 2-1/8 | | 621 |

| DX118.U RUN NAME | A/P | WRAPD .V35(102)-1 PIN ORDER NAME | BAY - O ORDER | DRAW OPT | RV | RG | Y | X | Z | REMARKS | 15-NOV-77 | 15148 NC LENGTH FLAG | PAGE 68 EXCEPTIONS | RUN NUMBER |
|---------------------|-----|--|------------------|-------------|----|----|---|---|---|---------|-----------|----------------------------|-----------------------|---------------|
| DBUS 03 | H | C29K1 | 1-01 * | D17 | | | | 2 | | | | N 3-3/8 | | 639 |
| DBUS 03 | H | B27H2 | 1-02 * | D08 | | | | 1 | | | | N 8 | | 639 |
| DBUS 03 | H | B12H2 | 1-03 * | D15 | | | | 2 | | | | N 3-7/8 | | 639 |
| DBUS 03 | H | A13J1 | 1-04 * | D21 | | | | 1 | | | | N 4 | | 639 |
| DBUS 03 | H | B09H2 | 1-05 * | D10 | | | | 2 | | | | N 4-1/8 | | 639 |
| DBUS 03 | H | C09H2 | 1-06 * | D06 | | | | 1 | | | | N 9-5/8 | | 639 |
| DBUS 03 | H | D06V1 | 1-07 * | D07 | | | | 2 | | | | N 2 | | 639 |
| DBUS 03 | H | E09H2 | 1-08 * | D09 | | | | 1 | | | | N 7-2/8 | | 639 |
| DBUS 03 | H | F17K1 | 1-09 * | DXK | | | | 1 | | | | 38-2/8 | | 639 |
| DBUS 04 | H | C29H1 | 1-01 * | D17 | | | | 2 | | | | N 4-1/8 | | 640 |
| DBUS 04 | H | B27J1 | 1-02 * | D08 | | | | 1 | | | | N 9-5/8 | | 640 |
| DBUS 04 | H | A14J1 | 1-03 * | D21 | | | | 2 | | | | N 3-5/8 | | 640 |
| DBUS 04 | H | B12F2 | 1-04 * | D15 | | | | 1 | | | | N 3-3/8 | | 640 |
| DBUS 04 | H | C09B1 | 1-05 * | D10 | | | | 2 | | | | N 3-3/8 | | 640 |
| DBUS 04 | H | C09U2 | 1-06 * | D06 | | | | 1 | | | | N 3-3/8 | | 640 |
| DBUS 04 | H | D03B1 | 1-07 * | D07 | | | | 2 | | | | N 5-2/8 | | 640 |
| DBUS 04 | H | E06P1 | 1-08 * | D09 | | | | 1 | | | | N 3-7/8 | | 640 |
| DBUS 05 | H | C29P1 | 1-01 * | D17 | | | | 2 | | | | 33-2/8 | | 641 |
| DBUS 05 | H | B27K1 | 1-02 * | D08 | | | | 1 | | | | N 4-3/8 | | 641 |
| DBUS 05 | H | A15J1 | 1-03 * | D21 | | | | 2 | | | | N 9-1/8 | | 641 |
| DBUS 05 | H | B12P1 | 1-04 * | D15 | | | | 1 | | | | N 5-3/8 | | 641 |
| DBUS 05 | H | B09V1 | 1-05 * | D10 | | | | 2 | | | | N 2-3/8 | | 641 |
| DBUS 05 | H | C09P1 | 1-06 * | D06 | | | | 1 | | | | N 1-4/8 | | 641 |
| DBUS 05 | H | E08L1 | 1-07 * | D06 | | | | 2 | | | | N 6-5/8 | | 641 |
| DBUS 05 | H | D04B1 | 1-08 * | D07 | | | | 1 | | | | N 3-3/8 | | 641 |
| DBUS 06 | H | C29S1 | 1-01 * | D17 | | | | 2 | | | | 32-5/8 | | 641 |
| DBUS 06 | H | B27E2 | 1-02 * | D08 | | | | 1 | | | | N 4-7/8 | | 642 |
| DBUS 06 | H | A16J1 | 1-03 * | D21 | | | | 2 | | | | N 8-3/8 | | 642 |
| DBUS 06 | H | B12C1 | 1-04 * | D06 | | | | 1 | | | | N 5-1/8 | | 642 |
| DBUS 06 | H | B12J1 | 1-05 * | D15 | | | | 2 | | | | N 3-1/8 | | 642 |
| DBUS 06 | H | B09D1 | 1-06 * | D10 | | | | 1 | | | | N 2-3/8 | | 642 |
| DBUS 06 | H | E08H1 | 1-07 * | D09 | | | | 2 | | | | N 9-1/8 | | 642 |
| DBUS 06 | H | D05B1 | 1-08 * | D07 | | | | 1 | | | | N 2-5/8 | | 642 |
| DBUS 07 | H | C29U1 | 1-01 * | D17 | | | | 1 | | | | 35-5/8 | | 643 |
| DBUS 07 | H | B27D2 | 1-02 * | D08 | | | | 2 | | | | N 9-1/8 | | 643 |
| DBUS 07 | H | A17J1 | 1-03 * | D21 | | | | 1 | | | | N 7-7/8 | | 643 |
| DBUS 07 | H | B12C1 | 1-04 * | D15 | | | | 2 | | | | N 4-1/8 | | 643 |
| DBUS 07 | H | B09H2 | 1-05 * | D10 | | | | 1 | | | | N 2-1/8 | | 643 |
| DBUS 07 | H | D06S1 | 1-06 * | D07 | | | | 2 | | | | N 8-3/8 | | 643 |
| DBUS 07 | H | E08A1 | 1-07 * | D09 | | | | 1 | | | | N 8-3/8 | | 643 |
| DBUS 07 | H | E17H1 | 1-08 * | D06 | | | | 2 | | | | N 1-6/8 | | 643 |
| DBUS 07 | X | | | | | | | | | | | 35-0/8 | | 643 |

| DX118.U RUN NAME | A/P | WRAPD .V35(102)-1 PIN ORDER NAME | BAY - O ORDER | DRAW OPT | RV | RG | Y | X | Z | REMARKS | 15-NOV-77 | 15148 NC LENGTH FLAG | PAGE 69 EXCEPTIONS | RUN NUMBER |
|---------------------|-----|--|------------------|-------------|----|----|---|---|---|---------|-----------|----------------------------|-----------------------|---------------|
| DBUS 08 | H | A10C1 | 1-01 * | D21 | | | | 2 | | | | N 6-1/8 | | 644 |
| DBUS 08 | H | B13B1 | 1-02 * | D10 | | | | 1 | | | | N 7-1/8 | | 644 |
| DBUS 08 | H | D03H2 | 1-03 * | D07 | | | | 2 | | | | N 8-7/8 | | 644 |
| DBUS 08 | H | E17A1 | 1-04 * | D06 | | | | 1 | | | | N 10 | | 644 |
| DBUS 08 | H | B26B1 | 1-05 * | D08 | | | | 2 | | | | N 3-3/8 | | 644 |
| DBUS 08 | H | C29D2 | 1-06 * | D17 | | | | 1 | | | | 35-4/8 | | 644 |
| DBUS 09 | H | C29F2 | 1-01 * | D17 | | | | 1 | | | | N 3-3/8 | | 645 |
| DBUS 09 | H | B26U1 | 1-02 * | D08 | | | | 2 | | | | N 4-5/8 | | 645 |
| DBUS 09 | H | C19C1 | 1-03 * | D06 | | | | 1 | | | | N 8-5/8 | | 645 |
| DBUS 09 | H | A11C1 | 1-04 * | D21 | | | | 2 | | | | N 6-1/8 | | 645 |
| DBUS 09 | H | B13V1 | 1-05 * | D10 | | | | 1 | | | | N 6-9/8 | | 645 |
| DBUS 09 | H | D04H2 | 1-06 * | D07 | | | | 2 | | | | 29-3/8 | | 645 |
| DBUS 10 | H | A12C1 | 1-01 * | D21 | | | | 2 | | | | N 3-7/8 | | 646 |
| DBUS 10 | H | B13D1 | 1-02 * | D10 | | | | 1 | | | | N 8-1/8 | | 646 |
| DBUS 10 | H | B26H2 | 1-03 * | D08 | | | | 2 | | | | N 3-2/8 | | 646 |
| DBUS 10 | H | C29J2 | 1-04 * | D17 | | | | 1 | | | | N 6-1/8 | | 646 |
| DBUS 10 | H | E27A1 | 1-05 * | D13 | | | | 2 | | | | N 0-3/8 | | 646 |
| DBUS 10 | H | E11H2 | 1-06 * | DXK | | | | 1 | | | | N 4-7/8 | | 646 |
| DBUS 10 | H | D05H2 | 1-07 * | D07 | | | | 2 | | | | 39-5/8 | | 646 |
| DBUS 11 | H | A13C1 | 1-01 * | D21 | | | | 2 | | | | N 3-7/8 | | 647 |
| DBUS 11 | H | B13H2 | 1-02 * | D10 | | | | 1 | | | | N 6-1/8 | | 647 |
| DBUS 11 | H | C21C1 | 1-03 * | D08 | | | | 2 | | | | N 4-9/8 | | 647 |
| DBUS 11 | H | B26H2 | 1-04 * | D08 | | | | 1 | | | | N 4-1/8 | | 647 |
| DBUS 11 | H | C29U2 | 1-05 * | D17 | | | | 2 | | | | N 8-1/8 | | 647 |
| DBUS 11 | H | E26U2 | 1-06 * | D13 | | | | 1 | | | | N 8-5/8 | | 647 |
| DBUS 11 | H | E11H2 | 1-07 * | DXK | | | | 2 | | | | N 4-6/8 | | 647 |
| DBUS 11 | H | D06H2 | 1-08 * | D07 | | | | 1 | | | | 40-2/8 | | 647 |
| DBUS 12 | H | A14C1 | 1-01 * | D21 | | | | 2 | | | | N 4-6/8 | | 648 |
| DBUS 12 | H | B14B1 | 1-02 * | D10 | | | | 1 | | | | N 7-3/8 | | 648 |
| DBUS 12 | H | C29J1 | 1-03 * | D08 | | | | 2 | | | | N 5-1/8 | | 648 |
| DBUS 12 | H | C29H2 | 1-04 * | D17 | | | | 1 | | | | N 6-7/8 | | 648 |
| DBUS 12 | H | E26U2 | 1-05 * | D13 | | | | 2 | | | | N 8-3/8 | | 648 |
| DBUS 12 | H | E11H2 | 1-06 * | DXK | | | | 1 | | | | N 6-5/8 | | 648 |
| DBUS 12 | H | D03D1 | 1-07 * | D07 | | | | 2 | | | | 39-1/8 | | 648 |
| DBUS 13 | H | A15C1 | 1-01 * | D21 | | | | 2 | | | | N 5-3/8 | | 649 |
| DBUS 13 | H | B14V1 | 1-02 * | D10 | | | | 1 | | | | N 5-3/8 | | 649 |
| DBUS 13 | H | C29C1 | 1-03 * | D08 | | | | 2 | | | | N 3-6/8 | | 649 |
| DBUS 13 | H | B26K1 | 1-04 * | D08 | | | | 1 | | | | N 5-3/8 | | 649 |
| DBUS 13 | H | C29B2 | 1-05 * | D17 | | | | 2 | | | | N 6-7/8 | | 649 |
| DBUS 13 | H | E26U1 | 1-06 * | D13 | | | | 1 | | | | N 8-1/8 | | 649 |
| DBUS 13 | H | E11K1 | 1-07 * | DXK | | | | 2 | | | | N 5-1/8 | | 649 |
| DBUS 13 | H | D04D1 | 1-08 * | D07 | | | | 1 | | | | 39-0/8 | | 649 |

96

| DL11B.U RUN NAME | WRAPD .V35(102)-1 A/P PIN ORDER NAME | 03-JUN-77 BAY - O ORDER PIN | DRW OPT | RV RG Y X Z | REMARKS | 15-NOV-77 | 15148 NC LENGTH EXCEPTIONS FLAG | PAGE 70 F | RUN NUMBER |
|---------------------|---|--------------------------------|---------|-------------|---------|-----------|---------------------------------------|-----------|---------------|
| DBUS 14 | A16C1 | 1-01 * | D21 | | | | N 4-1/8 | | 650 |
| DBUS 14 | B16D1 | 1-02 * | D16 | | | | N 4 | | 650 |
| DBUS 14 | C06C1 | 1-03 * | D06 | | | | N 5 | | 650 |
| DBUS 14 | D06D1 | 1-04 * | D07 | | | | N 4-7/8 | | 650 |
| DBUS 14 | E11E2 | 1-05 * | D1X | | | | N 0-1/8 | | 650 |
| DBUS 14 | E20E2 | 1-06 * | D13 | | | | N 5-5/8 | | 650 |
| DBUS 14 | C20E2 | 1-07 * | D17 | | | | N 5-7/8 | | 650 |
| DBUS 14 | D20E2 | 1-08 * | D08 | | | | 37-5/8 | | 650 |
| DBUS 18 | A17C1 | 1-01 * | D21 | | | | N 4-7/8 | | 651 |
| DBUS 18 | B16H2 | 1-02 * | D16 | | | | N 6-7/8 | | 651 |
| DBUS 18 | B26D2 | 1-03 * | D08 | | | | N 3-5/8 | | 651 |
| DBUS 18 | C26C1 | 1-04 * | D06 | | | | N 3-7/8 | | 651 |
| DBUS 18 | C26C2 | 1-05 * | D17 | | | | N 5-3/8 | | 651 |
| DBUS 18 | E20A1 | 1-06 * | D13 | | | | N 7-7/8 | | 651 |
| DBUS 18 | E11B2 | 1-07 * | D1X | | | | N 4-2/8 | | 651 |
| DBUS 18 | D06D1 | 1-08 * | D07 | | | | 36-6/8 | | 651 |
| DCLO | D29U1 | 1-01 * | D18 | | | | N 10-1/8 | | 652 |
| DCLO | F01H2 | 1-02 * | D29 | | | | N 0-1/8 | | 652 |
| DCLO | F01J2 | 1-03 * | D29 | | | | N 0-1/8 | | 652 |
| DCLO | F01K2 | 1-04 * | D29 | | | | 10-3/8 | | 652 |
| DEVCOM 0-3 | A24E2 | 1-01 * | | | | | N 3-7/8 | | 653 |
| DEVCOM 0-3 | B23E1 | 1-02 * | | | | | 3-7/8 | | 653 |
| DEVCOM 4-7 | B23V2 | 1-01 * | | | | | N 5-1/8 | | 654 |
| DEVCOM 4-7 | A24F2 | 1-02 * | | | | | 5-1/8 | | 654 |
| DEVEND(0) | C04J1 | 1-01 * | D24 | | | | N 4-5/8 | | 655 |
| DEVEND(0) | C13K2 | 1-02 * | D09 | | | | 4-5/8 | | 655 |
| DEVEND(1) | C13J2 | 1-01 * | D09 | | | | N 3-7/8 | | 656 |
| DEVEND(1) | D12N1 | 1-02 * | D19 | | | | N 0-3/8 | | 656 |
| DEVEND(1) | B08F1 | 1-03 * | D10 | | | | N 12-3/8 | | 656 |
| DEVEND(1) | A29V2 | 1-04 * | D22 | | | | N 13-5/8 | | 656 |
| DEVEND(1) | F31N1 | 1-05 * | D13 | | | | 10-2/8 | | 656 |
| D18 DXT0(0) | F17N1 | 1-01 * | D1X | | | | N 2-7/8 | | 657 |
| D18 DXT0(0) | F22M1 | 1-02 * | D1X | | | | 2-7/8 | | 657 |
| D18 DXT0(1) | A32A1 | 1-01 * | D1X | | | | N 13-6/8 | | 658 |
| D18 DXT0(1) | D13J1 | 1-02 * | D1X | | | | N 7-7/8 | | 658 |
| D18 DXT0(1) | F17M1 | 1-03 * | D1X | | | | 21-5/8 | | 658 |

| DL11B.U RUN NAME | WRAPD .V35(102)-1 A/P PIN ORDER NAME | 03-JUN-77 BAY - O ORDER PIN | DRW OPT | RV RG Y X Z | REMARKS | 15-NOV-77 | 15148 NC LENGTH EXCEPTIONS FLAG | PAGE 71 | RUN NUMBER |
|---------------------|---|--------------------------------|---------|-------------|---------|-----------|---------------------------------------|---------|---------------|
| D18C IN | H12M1 | 1-01 * | D27 | | | | N 1-4/8 | | 659 |
| D18C IN | H14M1 | 1-02 * | D27 | | | | 1-4/8 | | 659 |
| DONE(1) | D17M1 | 1-01 * | D19 | | | | N 7-5/8 | | 660 |
| DONE(1) | C06U2 | 1-02 * | D11 | | | | N 1-3/8 | | 660 |
| DONE(1) | C17E1 | 1-04 * | D06 | | | | N 6-1/8 | | 660 |
| DONE(1) | A30K1 | 1-05 * | D22 | | | | N 10-7/8 | | 660 |
| DSCRSP(0) | A09J2 | 1-01 * | D13 | | | | 26-0/8 | | 660 |
| DSCRSP(0) | A01A1 | 1-02 * | D25 | | | | N 5-5/8 | | 661 |
| DSCRSP(0) | D02K1 | 1-03 * | D25 | | | | N 10-5/8 | | 661 |
| DSCRSP(0) | C11V2 | 1-04 * | D11 | | | | N 7-3/8 | | 661 |
| DSCRSP(1) | A09P1 | 1-01 * | D25 | | | | 23-5/8 | | 661 |
| DSCRSP(1) | B19E2 | 1-02 * | D13 | | | | N 0-5/8 | | 662 |
| DSCRSP(1) | E20D1 | 1-03 * | D13 | | | | N 11 | | 662 |
| DSCRSP(1) | E12E2 | 1-04 * | D24 | | | | N 0-3/8 | | 662 |
| DSCRSP(1) | D11W2 | 1-05 * | D19 | | | | N 2-5/8 | | 662 |
| DSCRSP(1) | C11U2 | 1-06 * | D11 | | | | N 2-4/8 | | 662 |
| DXBA 00(1) | A30T2 | 1-01 * | D22 | | | | 33-1/8 | | 662 |
| DXBA 00(1) | D20P1 | 1-02 * | D17 | | | | N 9-3/8 | | 663 |
| DXBA 00(1) | D11P1 | 1-03 * | D19 | | | | N 9-4/8 | | 663 |
| DXBA 00(1) | C07K2 | 1-04 * | D07 | | | | N 4-7/8 | | 663 |
| DXBA 00(1) | D08V2 | 1-05 * | D22 | | | | N 4-7/8 | | 663 |
| DXBA 01(1) | A30R2 | 1-01 * | D22 | | | | 20-5/8 | | 663 |
| DXBA 01(1) | D20R1 | 1-02 * | D17 | | | | N 9-3/8 | | 664 |
| DXBA 01(1) | D11P1 | 1-03 * | D19 | | | | N 9-1/8 | | 664 |
| DXBA 01(1) | D08V1 | 1-04 * | D22 | | | | N 2-3/8 | | 664 |
| DXBA 02(1) | A30P2 | 1-01 * | D22 | | | | 20-7/8 | | 664 |
| DXBA 02(1) | D20L1 | 1-02 * | D17 | | | | N 9-1/8 | | 665 |
| DXBA 02(1) | D12P1 | 1-03 * | D19 | | | | N 8-7/8 | | 665 |
| DXBA 02(1) | D08R2 | 1-04 * | D22 | | | | N 2-1/8 | | 665 |
| DXBA 03(1) | A30P2 | 1-01 * | D22 | | | | 20-1/8 | | 665 |
| DXBA 03(1) | D20M1 | 1-02 * | D17 | | | | N 9-3/8 | | 666 |
| DXBA 03(1) | D13P1 | 1-03 * | D19 | | | | N 8-1/8 | | 666 |
| DXBA 03(1) | D08P2 | 1-04 * | D22 | | | | N 2-6/8 | | 666 |
| DXBA 04(1) | A30N2 | 1-01 * | D22 | | | | 20-2/8 | | 666 |
| DXBA 04(1) | D20D1 | 1-02 * | D17 | | | | N 9-5/8 | | 667 |
| DXBA 04(1) | D14P1 | 1-03 * | D19 | | | | N 8-5/8 | | 667 |
| DXBA 04(1) | D08L2 | 1-04 * | D22 | | | | N 3-3/8 | | 667 |
| DXBA 04(1) | | | | | | | 20-5/8 | | 667 |

| DX118.U RUN NAME | WRAPD .V35(102)-1 A/P PIN NAME | ORDER PIN | 03-JUN-77 DAY - Q | DRAM OPT | RV RG Y | X | Z | REMARKS | 15-NOV-77 | 19140 NC LENGTH FLAG | PAGE 72 EXCEPTIONS | RUN NUMBER |
|---------------------|-----------------------------------|-----------|----------------------|-------------|---------|---|---|---------|-----------|----------------------------|-----------------------|---------------|
| DXDA 05(1) | H | A30M2 | 1-01 * | D22 | | | 2 | | | N | 0-7/0 | 662 |
| DXDA 06(1) | H | D20E1 | 1-02 * | D17 | | | 1 | | | N | 7-7/0 | 663 |
| DXDA 08(1) | H | D10P1 | 1-03 * | D19 | | | 2 | | | N | 4-1/0 | 664 |
| DXDA 08(1) | H | D00L1 | 1-04 * | D22 | | | 1 | | | | 20-7/0 | 668 |
| DXDA 06(1) | H | A30L2 | 1-01 * | D22 | | | 2 | | | N | 0-8/0 | 669 |
| DXDA 06(1) | H | D20A1 | 1-02 * | D17 | | | 1 | | | N | 7-7/0 | 669 |
| DXDA 06(1) | H | D16P1 | 1-03 * | D19 | | | 2 | | | N | 4-7/0 | 669 |
| DXDA 06(1) | H | D00M2 | 1-04 * | D22 | | | 1 | | | | 21-3/0 | 669 |
| DXDA 07(1) | H | A30K2 | 1-01 * | D22 | | | 2 | | | N | 0-5/0 | 670 |
| DXDA 07(1) | H | D20B1 | 1-02 * | D17 | | | 1 | | | N | 7-3/0 | 670 |
| DXDA 07(1) | H | D17P1 | 1-03 * | D19 | | | 2 | | | N | 0-3/0 | 670 |
| DXDA 07(1) | H | D00P2 | 1-04 * | D22 | | | 1 | | | | 21-3/0 | 670 |
| DXDA 08(1) | H | A30J2 | 1-01 * | D22 | | | 1 | | | N | 10-7/0 | 671 |
| DXDA 08(1) | H | D27P1 | 1-02 * | D17 | | | 2 | | | N | 5 | 671 |
| DXDA 08(1) | H | D10P1 | 1-03 * | D19 | | | 1 | | | N | 0-1/0 | 671 |
| DXDA 08(1) | H | D07V2 | 1-04 * | D22 | | | 1 | | | | 22-0/0 | 671 |
| DXDA 09(1) | H | A30H2 | 1-01 * | D22 | | | 1 | | | N | 10-7/0 | 672 |
| DXDA 09(1) | H | D27R1 | 1-02 * | D17 | | | 2 | | | N | 4-8/0 | 672 |
| DXDA 09(1) | H | D19P1 | 1-03 * | D19 | | | 1 | | | N | 0-7/0 | 672 |
| DXDA 09(1) | H | D07V1 | 1-04 * | D22 | | | 1 | | | | 22-3/0 | 672 |
| DXDA 10(1) | H | A30F2 | 1-01 * | D22 | | | 1 | | | N | 10-8/0 | 673 |
| DXDA 10(1) | H | D27L1 | 1-02 * | D17 | | | 2 | | | N | 4-3/0 | 673 |
| DXDA 10(1) | H | D20P1 | 1-03 * | D19 | | | 1 | | | N | 0-8/0 | 673 |
| DXDA 10(1) | H | D07R2 | 1-04 * | D22 | | | 1 | | | | 21-5/0 | 673 |
| DXDA 11(1) | H | A30E2 | 1-01 * | D22 | | | 1 | | | N | 10-7/0 | 674 |
| DXDA 11(1) | H | D27M1 | 1-02 * | D17 | | | 2 | | | N | 5-8/0 | 674 |
| DXDA 11(1) | H | D21P1 | 1-03 * | D19 | | | 1 | | | N | 7-2/0 | 674 |
| DXDA 11(1) | H | D07P2 | 1-04 * | D22 | | | 1 | | | | 21-6/0 | 674 |
| DXDA 12(1) | H | A30D2 | 1-01 * | D22 | | | 1 | | | N | 10-1/0 | 675 |
| DXDA 12(1) | H | D27D1 | 1-02 * | D17 | | | 2 | | | N | 4-1/0 | 675 |
| DXDA 12(1) | H | D22P1 | 1-03 * | D19 | | | 1 | | | N | 7-7/0 | 675 |
| DXDA 12(1) | H | D07L2 | 1-04 * | D22 | | | 1 | | | | 22-1/0 | 675 |
| DXDA 13(1) | H | A30C2 | 1-01 * | D22 | | | 1 | | | N | 10-3/0 | 676 |
| DXDA 13(1) | H | D27E1 | 1-02 * | D17 | | | 2 | | | N | 3-3/0 | 676 |
| DXDA 13(1) | H | D23P1 | 1-03 * | D19 | | | 1 | | | N | 0-8/0 | 676 |
| DXDA 13(1) | H | D07L1 | 1-04 * | D22 | | | 1 | | | | 22-3/0 | 676 |

| DX118.U RUN NAME | WRAPD .V35(102)-1 A/P PIN NAME | ORDER PIN | 03-JUN-77 DAY - Q | DRAM OPT | RV RG Y | X | Z | REMARKS | 15-NOV-77 | 15140 NC LENGTH FLAG | PAGE 73 EXCEPTIONS | RUN NUMBER |
|---------------------|-----------------------------------|-----------|----------------------|-------------|---------|---|---|---------|-----------|----------------------------|-----------------------|---------------|
| DXBA 14(1) | H | A30B2 | 1-01 * | D22 | | | 1 | | | N | 10-1/0 | 677 |
| DXBA 14(1) | H | D27A1 | 1-02 * | D17 | | | 2 | | | N | 2-8/0 | 677 |
| DXBA 14(1) | H | D20P1 | 1-03 * | D19 | | | 1 | | | N | 9-3/0 | 677 |
| DXBA 14(1) | H | D07H2 | 1-04 * | D22 | | | 1 | | | | 22-1/0 | 677 |
| DXBA 15(1) | H | A30A2 | 1-01 * | D22 | | | 1 | | | N | 10-1/0 | 678 |
| DXBA 15(1) | H | D27B1 | 1-02 * | D17 | | | 2 | | | N | 2-2/0 | 678 |
| DXBA 15(1) | H | D20P1 | 1-03 * | D19 | | | 1 | | | N | 9-7/0 | 678 |
| DXBA 15(1) | H | D07P2 | 1-04 * | D22 | | | 1 | | | | 22-2/0 | 678 |
| DXBA CRY | L | D07E1 | 1-01 * | D06 | | | 1 | | | N | 9-1/0 | 679 |
| DXBA CRY | L | E17P2 | 1-02 * | D06 | | | 2 | | | N | 1-1/0 | 679 |
| DXBA CRY | L | E10U2 | 1-03 * | D06 | | | 1 | | | | 10-2/0 | 679 |
| DXBC 00(1) | H | B27V2 | 1-01 * | D08 | | | 1 | | | N | 11-2/0 | 680 |
| DXBC 00(1) | H | E12U2 | 1-02 * | D08 | | | 2 | | | N | 4-3/0 | 680 |
| DXBC 00(1) | H | D10R1 | 1-03 * | D19 | | | 1 | | | | 15-8/0 | 680 |
| DXBC 01(1) | H | B27V1 | 1-01 * | D08 | | | 1 | | | N | 11 | 681 |
| DXBC 01(1) | H | E12T2 | 1-02 * | D08 | | | 2 | | | N | 3-7/0 | 681 |
| DXBC 01(1) | H | D11R1 | 1-03 * | D19 | | | 1 | | | | 14-7/0 | 681 |
| DXBC 02(1) | H | B27R2 | 1-01 * | D08 | | | 1 | | | N | 11-4/0 | 682 |
| DXBC 02(1) | H | E12S2 | 1-02 * | D08 | | | 2 | | | N | 3-1/0 | 682 |
| DXBC 02(1) | H | D12R1 | 1-03 * | D19 | | | 1 | | | | 14-5/0 | 682 |
| DXBC 03(1) | H | B27P2 | 1-01 * | D08 | | | 1 | | | N | 11-8/0 | 683 |
| DXBC 03(1) | H | E12R2 | 1-02 * | D08 | | | 2 | | | N | 3-1/0 | 683 |
| DXBC 03(1) | H | D13R1 | 1-03 * | D19 | | | 1 | | | | 14-6/0 | 683 |
| DXBC 04(1) | H | B27L2 | 1-01 * | D08 | | | 1 | | | N | 10-4/0 | 684 |
| DXBC 04(1) | H | D14P1 | 1-02 * | D19 | | | 2 | | | N | 3-7/0 | 684 |
| DXBC 04(1) | H | E12R1 | 1-03 * | D08 | | | 1 | | | | 14-3/0 | 684 |
| DXBC 05(1) | H | B27L1 | 1-01 * | D08 | | | 1 | | | N | 0-7/0 | 685 |
| DXBC 05(1) | H | D15R1 | 1-02 * | D19 | | | 2 | | | N | 4-1/0 | 685 |
| DXBC 05(1) | H | E12P1 | 1-03 * | D08 | | | 1 | | | | 13-0/0 | 685 |
| DXBC 06(1) | H | B27H2 | 1-01 * | D08 | | | 1 | | | N | 9-1/0 | 686 |
| DXBC 06(1) | H | D16R1 | 1-02 * | D19 | | | 2 | | | N | 3-4/0 | 686 |
| DXBC 06(1) | H | E12N1 | 1-03 * | D08 | | | 1 | | | | 13-8/0 | 686 |
| DXBC 07(1) | H | B27F2 | 1-01 * | D08 | | | 1 | | | N | 9-0/0 | 687 |
| DXBC 07(1) | H | D17R1 | 1-02 * | D19 | | | 2 | | | N | 4-1/0 | 687 |
| DXBC 07(1) | H | E13M1 | 1-03 * | D08 | | | 1 | | | | 13-7/0 | 687 |

98

| DX119.U RUN NAME | WRAPD .V35(102)-1 A/P PIN ORDER PIN NAME | 03-JUN-77 BAY - Q ORDER | DRAN RV RG Y X Z OPT | REMARKS | 15-NOV-77 | 1518 NC LENGTH FLAG | PAGE 74 EXCEPTIONS | RUN NUMBER |
|---------------------|---|-------------------------------|----------------------------|---------|-----------|---------------------------|-----------------------|---------------|
| DXBC 00(1) | H B26V2 | 1-01 * | D00 | | 1 | N 7-1/8 | | 600 |
| DXBC 00(1) | H D10R1 | 1-02 * | D19 | | 2 | N 4-3/8 | | 600 |
| DXBC 00(1) | H E12W2 | 1-03 * | D00 | | | 11-4/8 | | 600 |
| DXBC 00(1) | H | 1 | | | | | | 600 |
| DXBC 00(1) | H B26V1 | 1-01 * | D00 | | 1 | N 7-7/8 | | 609 |
| DXBC 00(1) | H D10R1 | 1-02 * | D19 | | 2 | N 5-7/8 | | 609 |
| DXBC 00(1) | H E12W2 | 1-03 * | D00 | | | 13-6/8 | | 609 |
| DXBC 00(1) | H | 1 | | | | | | 609 |
| DXBC 10(1) | H B26R2 | 1-01 * | D00 | | 1 | N 8-7/8 | | 690 |
| DXBC 10(1) | H D20R1 | 1-02 * | D19 | | 2 | N 6-1/8 | | 690 |
| DXBC 10(1) | H E12L2 | 1-03 * | D00 | | | 15-0/8 | | 690 |
| DXBC 10(1) | H | 1 | | | | | | 690 |
| DXBC 11(1) | H B26P2 | 1-01 * | D00 | | 1 | N 8-3/8 | | 691 |
| DXBC 11(1) | H D21R1 | 1-02 * | D19 | | 2 | N 6-5/8 | | 691 |
| DXBC 11(1) | H E12K2 | 1-03 * | D00 | | | 15-0/8 | | 691 |
| DXBC 11(1) | H | 1 | | | | | | 691 |
| DXBC 12(1) | H B26L2 | 1-01 * | D00 | | 1 | N 8-3/8 | | 692 |
| DXBC 12(1) | H D22R1 | 1-02 * | D19 | | 2 | N 7-3/8 | | 692 |
| DXBC 12(1) | H E12K1 | 1-03 * | D00 | | | 15-6/8 | | 692 |
| DXBC 12(1) | H | 1 | | | | | | 692 |
| DXBC 13(1) | H B26L1 | 1-01 * | D00 | | 2 | N 7-5/8 | | 693 |
| DXBC 13(1) | H D23R1 | 1-02 * | D19 | | 1 | N 7-5/8 | | 693 |
| DXBC 13(1) | H E12J1 | 1-03 * | D00 | | | 15-2/8 | | 693 |
| DXBC 13(1) | H | 1 | | | | | | 693 |
| DXBC 14(1) | H B26H2 | 1-01 * | D00 | | 2 | N 7-5/8 | | 694 |
| DXBC 14(1) | H D24R1 | 1-02 * | D19 | | 1 | N 8-1/8 | | 694 |
| DXBC 14(1) | H E12H1 | 1-03 * | D00 | | | 15-6/8 | | 694 |
| DXBC 14(1) | H | 1 | | | | | | 694 |
| DXBC 15(1) | H B26F2 | 1-01 * | D00 | | 2 | N 7-3/8 | | 695 |
| DXBC 15(1) | H D25R1 | 1-02 * | D19 | | 1 | N 8-3/8 | | 695 |
| DXBC 15(1) | H E12F1 | 1-03 * | D00 | | | 15-6/8 | | 695 |
| DXBC 15(1) | H | 1 | | | | | | 695 |
| DXCLRP1 | H A07R1 | 1-01 * | D21 | | 1 | N 6-3/8 | | 696 |
| DXCLRP1 | H A10A1 | 1-02 * | D21 | | 2 | N 1 | | 696 |
| DXCLRP1 | H A17A1 | 1-03 * | D21 | | 1 | N 1 | | 696 |
| DXCLRP1 | H A10J2 | 1-04 * | D21 | | 1 | N 1-6/8 | | 696 |
| DXCLRP1 | H | 1 | | | | | | 696 |
| DXCLRP2 | H A10A1 | 1-01 * | D21 | | 2 | N 1 | | 697 |
| DXCLRP2 | H A15A1 | 1-02 * | D21 | | 1 | N 3-3/8 | | 697 |
| DXCLRP2 | H A10L2 | 1-03 * | D21 | | | 4-3/8 | | 697 |
| DXCLRP2 | H | 1 | | | | | | 697 |
| DXCLRP3 | H A12A1 | 1-01 * | D21 | | 2 | N 1 | | 698 |
| DXCLRP3 | H A13A1 | 1-02 * | D21 | | 1 | N 4-5/8 | | 698 |
| DXCLRP3 | H A10N2 | 1-03 * | D21 | | | 5-5/8 | | 698 |
| DXCLRP3 | H | 1 | | | | | | 698 |

| DX119.U RUN NAME | WRAPD .V35(102)-1 A/P PIN ORDER PIN NAME | 03-JUN-77 BAY - Q ORDER | DRAN RV RG Y X Z OPT | REMARKS | 15-NOV-77 | 1518 NC LENGTH FLAG | PAGE 75 EXCEPTIONS | RUN NUMBER |
|---------------------|---|-------------------------------|----------------------------|---------|-----------|---------------------------|-----------------------|---------------|
| DXCLRP4 | H A10A1 | 1-01 * | D21 | | 2 | N 1 | | 699 |
| DXCLRP4 | H A11A1 | 1-02 * | D21 | | 1 | N 5-7/8 | | 699 |
| DXCLRP4 | H A10R2 | 1-03 * | D21 | | | 6-7/8 | | 699 |
| DXCLRP4 | H | 1 | | | | | | 699 |
| DXCS CLKA | H C25B1 | 1-01 * | D06 | | 2 | N 1-4/8 | | 700 |
| DXCS CLKA | H C23B1 | 1-02 * | D06 | | 1 | N 1-4/8 | | 700 |
| DXCS CLKA | H C21B1 | 1-03 * | D06 | | 2 | N 1-4/8 | | 700 |
| DXCS CLKA | H C19B1 | 1-04 * | D06 | | 1 | N 6-3/8 | | 700 |
| DXCS CLKA | H E10C1 | 1-05 * | D06 | | 1 | N 6-3/8 | | 700 |
| DXCS CLKA | H | 1 | | | | 10-7/8 | | 700 |
| DXCS CLKEN | H C09D1 | 1-01 * | D06 | | 1 | N 8 | | 701 |
| DXCS CLKEN | H E17B1 | 1-02 * | D06 | | 2 | N 2 | | 701 |
| DXCS CLKEN | H E20B1 | 1-03 * | D06 | | | 10-0/8 | | 701 |
| DXCS CLKEN | H | 1 | | | | | | 701 |
| DXCS CLKEN | L B17D1 | 1-01 * | D06 | | 1 | N 9-1/8 | | 702 |
| DXCS CLKEN | L E20A1 | 1-02 * | D06 | | 2 | N 1-4/8 | | 702 |
| DXCS CLKEN | L E10A1 | 1-03 * | D06 | | 1 | N 1-7/8 | | 702 |
| DXCS CLKEN | L E16L1 | 1-04 * | D06 | | 2 | N 1-2/8 | | 702 |
| DXCS CLKEN | L E15E2 | 1-05 * | D06 | | | 13-6/8 | | 702 |
| DXCS CLKEN | L | 1 | | | | | | 702 |
| DXCS CLKENA | H C09H1 | 1-01 * | D06 | | 2 | N 1-1/8 | | 703 |
| DXCS CLKENA | H C09N1 | 1-02 * | D06 | | 1 | N 4-7/8 | | 703 |
| DXCS CLKENA | H E08D2 | 1-03 * | D06 | | 2 | N 5 | | 703 |
| DXCS CLKENA | H E17D2 | 1-04 * | D06 | | 1 | N 1-2/8 | | 703 |
| DXCS CLKENA | H F17L2 | 1-05 * | D06 | | 2 | N 2-7/8 | | 703 |
| DXCS CLKENA | H F21B1 | 1-06 * | DXX | | 1 | N 2-5/8 | | 703 |
| DXCS CLKENA | H E20M1 | 1-07 * | D06 | | | 17-6/8 | | 703 |
| DXCS CLKENA | H | 1 | | | | | | 703 |
| DXCS CLKENA | L B17R1 | 1-01 * | D06 | | 1 | N 9-1/8 | | 704 |
| DXCS CLKENA | L E20L1 | 1-02 * | D06 | | 2 | N 3-1/8 | | 704 |
| DXCS CLKENA | L F22B1 | 1-03 * | DXX | | 1 | N 4-5/8 | | 704 |
| DXCS CLKENA | L E15V1 | 1-04 * | D06 | | | 16-7/8 | | 704 |
| DXCS CLKENA | L | 1 | | | | | | 704 |
| DXND 00(0) | H A10J2 | 1-01 * | D10 | | 1 | N 9 | | 705 |
| DXND 00(0) | H B21U2 | 1-02 * | D11 | | | 9-0/8 | | 705 |
| DXND 00(0) | H | 1 | | | | | | 705 |
| DXND 00(1) | H C20P1 | 1-01 * | D17 | | 1 | N 7-3/8 | | 706 |
| DXND 00(1) | H A32V2 | 1-02 * | D22 | | 2 | N 12-7/8 | | 706 |
| DXND 00(1) | H A10H2 | 1-03 * | D10 | | 1 | N 8-5/8 | | 706 |
| DXND 00(1) | H D10H1 | 1-04 * | D19 | | 2 | N 4-2/8 | | 706 |
| DXND 00(1) | H E10U1 | 1-05 * | D09 | | 1 | N 0-4/8 | | 706 |
| DXND 00(1) | H E10E2 | 1-06 * | D09 | | | 33-5/8 | | 706 |
| DXND 00(1) | H | 1 | | | | | | 706 |
| DXND 01(0) | H A11J2 | 1-01 * | D10 | | 1 | N 8-2/8 | | 707 |
| DXND 01(0) | H B21T2 | 1-02 * | D11 | | | 8-2/8 | | 707 |
| DXND 01(0) | H | 1 | | | | | | 707 |

| DXND U RUN NAME | A/P PIN | WRAPD .V35(102)-1 ORDER PIN | 03-JUN-77 BAY - ORDER | Q DRAW OPT | RV RG | Y X | Z | REMARKS | 15-NOV-77 | 15148 NC LENGTH FLAG | PAGE 76 EXCEPTIONS | RUN NUMBER |
|--------------------|------------|-----------------------------------|-----------------------------|------------------|----------|--------|---|---------|-----------|----------------------------|-----------------------|---------------|
| DXND 01(1) | H | C20R1 | 1-01 * | D17 | | | 1 | | | N 7-3/8 | | 708 |
| DXND 01(1) | H | A32U2 | 1-02 * | D22 | | | 2 | | | N 12-1/8 | | 708 |
| DXND 01(1) | H | A11H2 | 1-03 * | D10 | | | 1 | | | N 8-5/8 | | 708 |
| DXND 01(1) | H | D11H1 | 1-04 * | D19 | | | 2 | | | N 3-7/8 | | 708 |
| DXND 01(1) | H | E10V1 | 1-05 * | D09 | | | 1 | | | N 0-4/8 | | 708 |
| DXND 01(1) | H | E10R1 | 1-06 * | D09 | | | 1 | | | 32-4/8 | | 708 |
| DXND 02(0) | H | A12J2 | 1-01 * S | D10 | | | 1 | | | N 6-7/8 | | 709 |
| DXND 02(0) | H | B21B2 | 1-02 * | D11 | | | 1 | | | 6-7/8 | | 709 |
| DXND 02(1) | H | C20L1 | 1-01 * | D17 | | | 1 | | | N 7-1/8 | | 710 |
| DXND 02(1) | H | A32T2 | 1-02 * | D22 | | | 2 | | | N 11-5/8 | | 710 |
| DXND 02(1) | H | A12H2 | 1-03 * | D10 | | | 1 | | | N 8-5/8 | | 710 |
| DXND 02(1) | H | D12H1 | 1-04 * | D19 | | | 2 | | | N 3-5/8 | | 710 |
| DXND 02(1) | H | E10H2 | 1-05 * | D09 | | | 1 | | | N 0-4/8 | | 710 |
| DXND 02(1) | H | E10K2 | 1-06 * | D09 | | | 1 | | | 31-4/8 | | 710 |
| DXND 03(0) | H | A13J2 | 1-01 * S | D10 | | | 1 | | | N 6-1/8 | | 711 |
| DXND 03(0) | H | B21R2 | 1-02 * | D11 | | | 1 | | | 6-1/8 | | 711 |
| DXND 03(1) | H | C20M1 | 1-01 * | D17 | | | 1 | | | N 7-3/8 | | 712 |
| DXND 03(1) | H | A32B2 | 1-02 * | D22 | | | 2 | | | N 10-7/8 | | 712 |
| DXND 03(1) | H | A13H2 | 1-03 * | D10 | | | 1 | | | N 8-5/8 | | 712 |
| DXND 03(1) | H | D13H1 | 1-04 * | D19 | | | 2 | | | N 3-6/8 | | 712 |
| DXND 03(1) | H | E10D1 | 1-05 * | D09 | | | 1 | | | N 0-4/8 | | 712 |
| DXND 03(1) | H | E10F1 | 1-06 * | D09 | | | 1 | | | 31-1/8 | | 712 |
| DXND 04(0) | H | A14J2 | 1-01 * S | D10 | | | 1 | | | N 5-2/8 | | 713 |
| DXND 04(0) | H | B21R1 | 1-02 * | D11 | | | 1 | | | 5-2/8 | | 713 |
| DXND 04(1) | H | C20D1 | 1-01 * | D17 | | | 1 | | | N 6-5/8 | | 714 |
| DXND 04(1) | H | A32R2 | 1-02 * | D22 | | | 2 | | | N 10-3/8 | | 714 |
| DXND 04(1) | H | A14H2 | 1-03 * | D10 | | | 1 | | | N 8-5/8 | | 714 |
| DXND 04(1) | H | D14H1 | 1-04 * | D19 | | | 2 | | | N 6-1/8 | | 714 |
| DXND 04(1) | H | E09B2 | 1-05 * | D09 | | | 1 | | | N 0-4/8 | | 714 |
| DXND 04(1) | H | E09U1 | 1-06 * | D09 | | | 1 | | | 32-2/8 | | 714 |
| DXND 05(0) | H | A15J2 | 1-01 * S | D10 | | | 1 | | | N 5-4/8 | | 715 |
| DXND 05(0) | H | B21P1 | 1-02 * | D11 | | | 1 | | | 5-4/8 | | 715 |
| DXND 05(1) | H | C20E1 | 1-01 * | D17 | | | 1 | | | N 6-7/8 | | 716 |
| DXND 05(1) | H | A32P2 | 1-02 * | D22 | | | 2 | | | N 9-5/8 | | 716 |
| DXND 05(1) | H | A15H2 | 1-03 * | D10 | | | 1 | | | N 8-5/8 | | 716 |
| DXND 05(1) | H | D15H1 | 1-04 * | D19 | | | 2 | | | N 6-6/8 | | 716 |
| DXND 05(1) | H | E09N1 | 1-05 * | D09 | | | 1 | | | N 0-4/8 | | 716 |
| DXND 05(1) | H | E09R1 | 1-06 * | D09 | | | 1 | | | 30-3/8 | | 716 |

| DXND U RUN NAME | A/P PIN | WRAPD .V35(102)-1 ORDER PIN | 03-JUN-77 BAY - ORDER | Q DRAW OPT | RV RG | Y X | Z | REMARKS | 15-NOV-77 | 15148 NC LENGTH FLAG | PAGE 77 EXCEPTIONS | RUN NUMBER |
|--------------------|------------|-----------------------------------|-----------------------------|------------------|----------|--------|---|---------|-----------|----------------------------|-----------------------|---------------|
| DXND 06(0) | H | A16J2 | 1-01 * S | D10 | | | 1 | | | N 5-4/8 | | 717 |
| DXND 06(0) | H | B21N1 | 1-02 * | D11 | | | 1 | | | 5-4/8 | | 717 |
| DXND 06(1) | H | C20A1 | 1-01 * | D17 | | | 1 | | | N 6-5/8 | | 718 |
| DXND 06(1) | H | A32N2 | 1-02 * | D22 | | | 2 | | | N 9-1/8 | | 718 |
| DXND 06(1) | H | A16H2 | 1-03 * | D10 | | | 1 | | | N 8-5/8 | | 718 |
| DXND 06(1) | H | D16H1 | 1-04 * | D19 | | | 2 | | | N 5 | | 718 |
| DXND 06(1) | H | E09K2 | 1-05 * | D09 | | | 1 | | | N 0-4/8 | | 718 |
| DXND 06(1) | H | E09H2 | 1-06 * | D09 | | | 1 | | | 29-7/8 | | 718 |
| DXND 07(0) | H | A17J2 | 1-01 * S | D10 | | | 1 | | | N 5-1/8 | | 719 |
| DXND 07(0) | H | B21M1 | 1-02 * | D11 | | | 1 | | | 5-1/8 | | 719 |
| DXND 07(1) | H | A32M2 | 1-01 * | D22 | | | 1 | | | N 6-5/8 | | 720 |
| DXND 07(1) | H | C20B1 | 1-02 * | D17 | | | 2 | | | N 8-2/8 | | 720 |
| DXND 07(1) | H | A17H2 | 1-03 * | D10 | | | 1 | | | N 8-5/8 | | 720 |
| DXND 07(1) | H | D17H1 | 1-04 * | D19 | | | 2 | | | N 6-3/8 | | 720 |
| DXND 07(1) | H | E09D1 | 1-05 * | D09 | | | 1 | | | N 0-4/8 | | 720 |
| DXND 07(1) | H | E09F1 | 1-06 * | D09 | | | 1 | | | 30-3/8 | | 720 |
| DXND 08(0) | H | A10R2 | 1-01 * S | D10 | | | 1 | | | N 14-1/8 | | 721 |
| DXND 08(0) | H | E02H2 | 1-02 * | D24 | | | 1 | | | 14-1/8 | | 721 |
| DXND 08(1) | H | A10P2 | 1-01 * | D10 | | | 2 | | | N 4-2/8 | | 722 |
| DXND 08(1) | H | B15E2 | 1-02 * | D16 | | | 1 | | | N 8-5/8 | | 722 |
| DXND 08(1) | H | D03J2 | 1-03 * | D07 | | | 2 | | | N 5-3/8 | | 722 |
| DXND 08(1) | H | E10T2 | 1-04 * | D09 | | | 1 | | | N 5-5/8 | | 722 |
| DXND 08(1) | H | D10H1 | 1-05 * | D19 | | | 2 | | | N 6-7/8 | | 722 |
| DXND 08(1) | H | C27P1 | 1-06 * | D17 | | | 1 | | | N 8-7/8 | | 722 |
| DXND 08(1) | H | A32L2 | 1-07 * | D22 | | | 1 | | | 39-5/8 | | 722 |
| DXND 09(0) | H | A11R2 | 1-01 * S | D10 | | | 1 | | | N 14-3/8 | | 723 |
| DXND 09(0) | H | E02F2 | 1-02 * | D24 | | | 1 | | | 14-3/8 | | 723 |
| DXND 09(1) | H | A11P2 | 1-01 * | D10 | | | 2 | | | N 4-3/8 | | 724 |
| DXND 09(1) | H | B15N1 | 1-02 * | D16 | | | 1 | | | N 7-7/8 | | 724 |
| DXND 09(1) | H | D04J2 | 1-03 * | D07 | | | 2 | | | N 4-7/8 | | 724 |
| DXND 09(1) | H | E10P1 | 1-04 * | D09 | | | 1 | | | N 7-5/8 | | 724 |
| DXND 09(1) | H | D19H1 | 1-05 * | D19 | | | 2 | | | N 6-3/8 | | 724 |
| DXND 09(1) | H | C27R1 | 1-06 * | D17 | | | 1 | | | N 8-7/8 | | 724 |
| DXND 09(1) | H | A32K2 | 1-07 * | D22 | | | 1 | | | 40-0/8 | | 724 |
| DXND 10(0) | H | A12R2 | 1-01 * S | D10 | | | 1 | | | N 14-7/8 | | 725 |
| DXND 10(0) | H | E02E2 | 1-02 * | D24 | | | 1 | | | 14-7/8 | | 725 |

100

| DX11B-U RUN NAME | WRAPD .V35(102)-1 A/P PIN ORDER NAME | BAY - C ORDER | DRW OPT | RV RG Y | X | Z | REMARKS | 15-NOV-77 | 15148 NC LENGTH FLAG | PAGE 78 EXCEPTIONS | RUN NUMBER |
|---------------------|---|------------------|------------|---------|---|---|---------|-----------|----------------------------|-----------------------|---------------|
| DXND 10(1) | H A12P2 | 1-01 * | D10 | | | 2 | | | N 3-4/8 | | 726 |
| DXND 10(1) | H B15H1 | 1-02 * | D16 | | | 1 | | | N 0-2/8 | | 726 |
| DXND 10(1) | H D05J2 | 1-03 * | D07 | | | 2 | | | N 4 | | 726 |
| DXND 10(1) | H E10J2 | 1-04 * | D09 | | | 1 | | | N 7-5/8 | | 726 |
| DXND 10(1) | H D20H1 | 1-05 * | D19 | | | 2 | | | N 6-3/8 | | 726 |
| DXND 10(1) | H C37L1 | 1-06 * | D17 | | | 1 | | | N 0-5/8 | | 726 |
| DXND 10(1) | H A32J2 | 1-07 * | D22 | | | 1 | | | 30-3/8 | | 726 |
| DXND 11(0) | H A13R2 | 1-01 * | D10 | | | 1 | | | N 15-1/8 | | 727 |
| DXND 11(0) | H E02D2 | 1-02 * | D24 | | | 1 | | | 15-1/8 | | 727 |
| DXND 11(1) | H B15B1 | 1-01 * | D16 | | | 1 | | | N 2-3/8 | | 728 |
| DXND 11(1) | H A13P2 | 1-02 * | D10 | | | 2 | | | N 10-5/8 | | 728 |
| DXND 11(1) | H A32H2 | 1-03 * | D22 | | | 1 | | | N 0-7/8 | | 728 |
| DXND 11(1) | H C37M1 | 1-04 * | D17 | | | 2 | | | N 5 | | 728 |
| DXND 11(1) | H D21H1 | 1-05 * | D19 | | | 1 | | | N 7-5/8 | | 728 |
| DXND 11(1) | H D06J2 | 1-06 * | D07 | | | 2 | | | N 3-4/8 | | 728 |
| DXND 11(1) | H E10E1 | 1-07 * | D09 | | | 1 | | | 30-0/8 | | 728 |
| DXND 12(0) | H A14R2 | 1-01 * | D10 | | | 1 | | | N 15-7/8 | | 729 |
| DXND 12(0) | H E02D1 | 1-02 * | D24 | | | 1 | | | 15-7/8 | | 729 |
| DXND 12(1) | H A14P2 | 1-01 * | D10 | | | 2 | | | N 4-7/8 | | 730 |
| DXND 12(1) | H B11B2 | 1-02 * | D16 | | | 1 | | | N 6-3/8 | | 730 |
| DXND 12(1) | H D03E1 | 1-03 * | D07 | | | 2 | | | N 6 | | 730 |
| DXND 12(1) | H E09T2 | 1-04 * | D09 | | | 1 | | | N 10-1/8 | | 730 |
| DXND 12(1) | H D22H1 | 1-05 * | D19 | | | 2 | | | N 4-7/8 | | 730 |
| DXND 12(1) | H C37D1 | 1-06 * | D17 | | | 1 | | | N 0-1/8 | | 730 |
| DXND 12(1) | H A32F2 | 1-07 * | D22 | | | 1 | | | 40-3/8 | | 730 |
| DXND 13(0) | H A15R2 | 1-01 * | D10 | | | 1 | | | N 15-1/8 | | 731 |
| DXND 13(0) | H E02C1 | 1-02 * | D24 | | | 1 | | | 15-1/8 | | 731 |
| DXND 13(1) | H D23H1 | 1-01 * | D19 | | | 1 | | | N 5-2/8 | | 732 |
| DXND 13(1) | H C37E1 | 1-02 * | D17 | | | 2 | | | N 0-3/8 | | 732 |
| DXND 13(1) | H A32E2 | 1-03 * | D22 | | | 1 | | | N 9-7/8 | | 732 |
| DXND 13(1) | H A15P2 | 1-04 * | D10 | | | 2 | | | N 3-7/8 | | 732 |
| DXND 13(1) | H B11L2 | 1-05 * | D16 | | | 1 | | | N 7-2/8 | | 732 |
| DXND 13(1) | H D04E1 | 1-06 * | D07 | | | 2 | | | N 5-7/8 | | 732 |
| DXND 13(1) | H E09P1 | 1-07 * | D09 | | | 1 | | | 40-4/8 | | 732 |
| DXND 14(0) | H A16R2 | 1-01 * | D10 | | | 1 | | | N 14-4/8 | | 733 |
| DXND 14(0) | H E02B1 | 1-02 * | D24 | | | 1 | | | 14-4/8 | | 733 |

| DX11B-U RUN NAME | WRAPD .V35(102)-1 A/P PIN ORDER NAME | BAY - C ORDER | DRW OPT | RV RG Y | X | Z | REMARKS | 15-NOV-77 | 15148 NC LENGTH FLAG | PAGE 79 EXCEPTIONS | RUN NUMBER |
|---------------------|---|------------------|------------|---------|---|---|---------|-----------|----------------------------|-----------------------|---------------|
| DXND 14(1) | H D24H1 | 1-01 * | D19 | | | 1 | | | N 5-3/8 | | 734 |
| DXND 14(1) | H C37A1 | 1-02 * | D17 | | | 2 | | | N 8-1/8 | | 734 |
| DXND 14(1) | H A32D2 | 1-03 * | D22 | | | 1 | | | N 9-5/8 | | 734 |
| DXND 14(1) | H A16P2 | 1-04 * | D10 | | | 2 | | | N 4-2/8 | | 734 |
| DXND 14(1) | H B11E2 | 1-05 * | D16 | | | 1 | | | N 0-7/8 | | 734 |
| DXND 14(1) | H D05E1 | 1-06 * | D07 | | | 2 | | | N 4-4/8 | | 734 |
| DXND 14(1) | H E09J2 | 1-07 * | D09 | | | 1 | | | 40-6/8 | | 734 |
| DXND 15(0) | H A17R2 | 1-01 * | D10 | | | 1 | | | N 13-4/8 | | 735 |
| DXND 15(0) | H E02A1 | 1-02 * | D24 | | | 1 | | | 13-4/8 | | 735 |
| DXND 15(1) | H D25H1 | 1-01 * | D19 | | | 1 | | | N 4-7/8 | | 736 |
| DXND 15(1) | H C37B1 | 1-02 * | D17 | | | 2 | | | N 0-1/8 | | 736 |
| DXND 15(1) | H A32C2 | 1-03 * | D22 | | | 1 | | | N 9-1/8 | | 736 |
| DXND 15(1) | H A17P2 | 1-04 * | D10 | | | 2 | | | N 4-7/8 | | 736 |
| DXND 15(1) | H B11N1 | 1-05 * | D16 | | | 1 | | | N 7-3/8 | | 736 |
| DXND 15(1) | H D06E1 | 1-06 * | D07 | | | 2 | | | N 4-3/8 | | 736 |
| DXND 15(1) | H E09E1 | 1-07 * | D09 | | | 1 | | | 30-6/8 | | 736 |
| DXND CLK A | L B16C1 | 1-01 * | D10 | | | 1 | | | N 0-1/8 | | 737 |
| DXND CLK A | L B16D1 | 1-02 * | D10 | | | 2 | | | N 0-5/8 | | 737 |
| DXND CLK A | L B16H1 | 1-03 * | D10 | | | 1 | | | 0-6/8 | | 737 |
| DXND CLK B | L B16D2 | 1-01 * | D10 | | | 2 | | | N 1-5/8 | | 738 |
| DXND CLK B | L B16N1 | 1-02 * | D10 | | | 1 | | | N 0-1/8 | | 738 |
| DXND CLK B | L B16P1 | 1-03 * | D10 | | | 1 | | | 1-6/8 | | 738 |
| DXND STB A | L A25K2 | 1-01 * | D10 | | | 2 | | | N 7-3/8 | | 739 |
| DXND STB A | L B16E1 | 1-02 * | D10 | | | 1 | | | N 0-5/8 | | 739 |
| DXND STB A | L B16J1 | 1-03 * | D10 | | | 1 | | | 0-0/8 | | 739 |
| DXND STB B | L B16R1 | 1-01 * | D10 | | | 1 | | | N 1-5/8 | | 740 |
| DXND STB B | L B16E2 | 1-02 * | D10 | | | 2 | | | N 1-3/8 | | 740 |
| DXND STB B | L B16C1 | 1-03 * | D10 | | | 1 | | | 3-0/8 | | 740 |
| DIRESET | H A18E2 | 1-01 * | D15 | | | 1 | | | N 0-4/8 | | 741 |
| DIRESET | H A10H2 | 1-02 * | D16 | | | 2 | | | N 13-1/8 | | 741 |
| DIRESET | H E37E2 | 1-03 * | D09 | | | 1 | | | N 7-7/8 | | 741 |
| DIRESET | H E27K2 | 1-04 * | D24 | | | 2 | | | N 1-7/8 | | 741 |
| DIRESET | H E29U2 | 1-05 * | D13 | | | 1 | | | 23-3/8 | | 741 |

| DL110.0 RUN NAME | WRAPD .V35(102)-1 A/P PIN ORDER NAME | 03-JUN-77 BAY - Q ORDER PIN | 15-NOV-77 | RV RC Y X Z | REMARKS | 15148 NC LENGTH FLAG | PAGE 80 EXCEPTIONS | RUN NUMBER |
|---------------------|---|--------------------------------|-----------|-------------|---------|----------------------------|-----------------------|---------------|
| DXRSET | L B19N2 | 1-01 * | D10 | | | N 1-7/8 | | 742 |
| DXRSET | L B19D2 | 1-02 * | D06 | | | N 13-6/8 | | 742 |
| DXRSET | L E07H1 | 1-03 * | D13 | | | N 1-3/8 | | 742 |
| DXRSET | L E07P2 | 1-04 * | D11 | | | N 4-3/8 | | 742 |
| DXRSET | L E14J1 | 1-05 * | D05 | | | N 7-1/8 | | 742 |
| DXRSET | L E27H2 | 1-06 * | D24 | | | N 0-1/8 | | 742 |
| DXRSET | L E27J2 | 1-07 * | D24 | | | N 0-4/8 | | 742 |
| DXRSET | L E27L1 | 1-08 * | D24 | | | N 1-7/8 | | 742 |
| DXRSET | L E24N2 | 1-09 * | S D24 | | | N 1-7/8 | | 742 |
| DXRSET | L | 1 | | | | 31-0/8 | | 742 |
| DXRSET OR INIT | H B25R1 | 1-01 * | | | | N 11-3/8 | | 743 |
| DXRSET OR INIT | H C00T2 | 1-02 * | D05 | | | N 8 | | 743 |
| DXRSET OR INIT | H A10B2 | 1-03 * | D21 | | | N 0-4/8 | | 743 |
| DXRSET OR INIT | H A10P2 | 1-04 * | D21 | | | N 0-4/8 | | 743 |
| DXRSET OR INIT | H A10M2 | 1-05 * | D21 | | | N 0-4/8 | | 743 |
| DXRSET OR INIT | H A10K2 | 1-06 * | D21 | | | N 0-4/8 | | 743 |
| DXRSET OR INIT | H E27N1 | 1-07 * | S D24 | | | N 15-5/8 | | 743 |
| DXRSET OR INIT | H E16T2 | 1-08 * | | | | N 8-1/8 | | 743 |
| DXRSET OR INIT | H | 1 | | | | 42-5/8 | | 743 |
| DXRSET OR INIT | L B25B1 | 1-01 * | D24 | | | N 4-3/8 | | 744 |
| DXRSET OR INIT | L B19D2 | 1-02 * | D10 | | | N 1-7/8 | | 744 |
| DXRSET OR INIT | L B17C1 | 1-03 * | D06 | | | N | | 744 |
| DXRSET OR INIT | L | 1 | | | | 6-2/8 | | 744 |
| DXRSET OR INIT P | H E10B2 | 1-01 * | | | | N 1-1/8 | | 745 |
| DXRSET OR INIT P | H E10L1 | 1-02 * | | | | N | | 745 |
| DXRSET OR INIT P | H | 1 | | | | 1-1/8 | | 745 |
| DXRSET OR INIT P | L B25F1 | 1-01 * | | | | N 4-1/8 | | 746 |
| DXRSET OR INIT P | L B30R2 | 1-02 * | | | | N 4-5/8 | | 746 |
| DXRSET OR INIT P | L C25H2 | 1-03 * | | | | N 0-5/8 | | 746 |
| DXRSET OR INIT P | L C24D2 | 1-04 * | | | | N 1 | | 746 |
| DXRSET OR INIT P | L C23D2 | 1-05 * | | | | N 1 | | 746 |
| DXRSET OR INIT P | L C22D2 | 1-06 * | | | | N 1 | | 746 |
| DXRSET OR INIT P | L C21D2 | 1-07 * | | | | N 1 | | 746 |
| DXRSET OR INIT P | L C20D2 | 1-08 * | | | | N 1 | | 746 |
| DXRSET OR INIT P | L E10R2 | 1-09 * | | | | N 7-7/8 | | 746 |
| DXRSET OR INIT P | L E10P2 | 1-10 * | | | | N 0-1/8 | | 746 |
| DXRSET OR INIT P | L C10D2 | 1-11 * | | | | N 7 | | 746 |
| DXRSET OR INIT P | L C11P1 | 1-12 * | | | | N 5-3/8 | | 746 |
| DXRSET OR INIT P | L | 1 | | | | 33-6/8 | | 746 |
| DXRSET OR INIT PA | L C19L2 | 1-01 * | D13 | | | N 1-2/8 | | 747 |
| DXRSET OR INIT PA | L C19D2 | 1-02 * | D12 | | | N 10-3/8 | | 747 |
| DXRSET OR INIT PA | L B01T2 | 1-03 * | D14 | | | N 16-2/8 | | 747 |
| DXRSET OR INIT PA | L F19T2 | 1-04 * | | | | N 2-5/8 | | 747 |
| DXRSET OR INIT PA | L F17D2 | 1-05 * | D25 | | | N 1-5/8 | | 747 |
| DXRSET OR INIT PA | L F19H2 | 1-06 * | D05 | | | N 1-2/8 | | 747 |
| DXRSET OR INIT PA | L F19P2 | 1-07 * | D18 | | | N 1-2/8 | | 747 |
| DXRSET OR INIT PA | L F17P1 | 1-08 * | D18 | | | N 1-6/8 | | 747 |
| DXRSET OR INIT PA | L C10P1 | 1-09 * | D11 | | | N 11-7/8 | | 747 |
| DXRSET OR INIT PA | L D09U1 | 1-10 * | S D24 | | | N 4-1/8 | | 747 |
| DXRSET OR INIT PA | L | 1 | | | | 51-1/8 | | 747 |

| DL110.0 RUN NAME | WRAPD .V35(102)-1 A/P PIN ORDER NAME | 03-JUN-77 BAY - Q ORDER PIN | 15-NOV-77 | RV RC Y X Z | REMARKS | 15148 NC LENGTH FLAG | PAGE 81 EXCEPTIONS | RUN NUMBER |
|---------------------|---|--------------------------------|-----------|-------------|---------|----------------------------|-----------------------|---------------|
| DXTMO(0) | H F17K2 | 1-01 * | D25 | | | N 2-7/8 | | 748 |
| DXTMO(0) | H F22H1 | 1-02 * | D24 | | | N | | 748 |
| DXTMO(0) | H | 1 | | | | 2-7/8 | | 748 |
| DXTMO(1) | H A32B2 | 1-01 * | D22 | | | N 13-4/8 | | 749 |
| DXTMO(1) | H D14J1 | 1-02 * | D19 | | | N 7-3/8 | | 749 |
| DXTMO(1) | H F17J2 | 1-03 * | D25 | | | N | | 749 |
| DXTMO(1) | H | 1 | | | | 20-7/8 | | 749 |
| E01C1 | L C21K1 | 1-01 * | D05 | | | N 13-1/8 | | 750 |
| E01C1 | L D01L1 | 1-02 * | D05 | | | N 2-1/8 | | 750 |
| E01C1 | L E01C1 | 1-03 * | D05 | | | N | | 750 |
| E01P1 | L C19K1 | 1-01 * | D05 | | | N 15-2/8 | | 751 |
| E01P1 | L D01P1 | 1-02 * | D05 | | | N 12-5/8 | | 751 |
| E01P1 | L E01P1 | 1-03 * | D05 | | | N 2-1/8 | | 751 |
| E01P1 | L | 1 | | | | 14-6/8 | | 751 |
| E01P2 | L C17K1 | 1-01 * | D05 | | | N 12-7/8 | | 752 |
| E01P2 | L E01P2 | 1-02 * | D05 | | | N | | 752 |
| E01P2 | L | 1 | | | | 12-7/8 | | 752 |
| E01K1 | L C20K1 | 1-01 * | D05 | | | N 11-5/8 | | 753 |
| E01K1 | L D01D2 | 1-02 * | D05 | | | N 3-7/8 | | 753 |
| E01K1 | L E01K1 | 1-03 * | S D05 | | | N | | 753 |
| E01K1 | L | 1 | | | | 15-4/8 | | 753 |
| E01K2 | L E01K2 | 1-01 * | D05 | | | N 7-1/8 | | 754 |
| E01K2 | L E14P1 | 1-02 * | D05 | | | N | | 754 |
| E01K2 | L | 1 | | | | 7-1/8 | | 754 |
| E01N1 | L C18K1 | 1-01 * | D05 | | | N 11-1/8 | | 755 |
| E01N1 | L D01H2 | 1-02 * | D05 | | | N 3-5/8 | | 755 |
| E01N1 | L E01N1 | 1-03 * | D05 | | | N | | 755 |
| E01N1 | L | 1 | | | | 14-6/8 | | 755 |
| E01N2 | L E01N2 | 1-01 * | D05 | | | N 1-7/8 | | 756 |
| E01N2 | L E04P2 | 1-02 * | D05 | | | N | | 756 |
| E01N2 | L | 1 | | | | 1-7/8 | | 756 |
| E01S1 | L E01D2 | 1-01 * | D05 | | | N 2-1/8 | | 757 |
| E01S1 | L E01S1 | 1-02 * | D05 | | | N 7-3/8 | | 757 |
| E01S1 | L E14M1 | 1-03 * | D05 | | | N | | 757 |
| E01S1 | L | 1 | | | | 9-4/8 | | 757 |
| E01S2 | L E01S2 | 1-01 * | D05 | | | N 4-3/8 | | 758 |
| E01S2 | L E07J2 | 1-02 * | D05 | | | N | | 758 |
| E01S2 | L | 1 | | | | 4-3/8 | | 758 |
| E01V2 | L B01B1 | 1-01 * | D05 | | | N 10-3/8 | | 759 |
| E01V2 | L E01V2 | 1-02 * | D05 | | | N | | 759 |
| E01V2 | L | 1 | | | | 10-3/8 | | 759 |

2

| DX11B,U RUN NAME | WRAPD .V35(102)-1 A/P PIN ORDER PIN | 03-JUN-77 BAY - G ORDER | DRAW RV RG Y X Z | OPT | REMARKS | 15-NOV-77 NC LENGTH EXCEPTIONS FLAG | PAGE 02 EXCEPTIONS | RUN NUMBER |
|---------------------|--|----------------------------|---------------------|-----|---------|---|-----------------------|---------------|
| E02P2 | C07C1 | 1-01 * | D24 | | 1 | N 9-1/8 | | 769 |
| E02P2 | E02P2 | 1-02 * | D24 | | | | | 769 |
| E02P2 | | 1 | | | | | | 769 |
| E03D1 | E02H2 | 1-01 * | D24 | | 1 | N 0-1/8 | | 761 |
| E03D1 | E03D1 | 1-02 * | D24 | | | | | 761 |
| E03D1 | | 1 | | | | | | 761 |
| E03H2 | E02L2 | 1-01 * | D24 | | 1 | N 0-5/8 | | 762 |
| E03H2 | E03H2 | 1-02 * | D24 | | | | | 762 |
| E03H2 | | 1 | | | | | | 762 |
| E03M2 | D02E1 | 1-01 * | D24 | | 1 | N 4-3/8 | | 763 |
| E03M2 | E03M2 | 1-02 * | D24 | | | | | 763 |
| E03M2 | | 1 | | | | | | 763 |
| E03B2 | E03B2 | 1-01 * 6 | DXX | | 1 | N 2 | | 764 |
| E03B2 | E05L2 | 1-02 * | DXX | | 2 | N 1-1/8 | | 764 |
| E03B2 | E05E2 | 1-03 * | DXX | | | | | 764 |
| E03B2 | | 1 | | | | | | 764 |
| E03U1 | E02F1 | 1-01 * | D24 | | 1 | N 2-1/8 | | 765 |
| E03U1 | E03U1 | 1-02 * | D24 | | | | | 765 |
| E03U1 | | 1 | | | | | | 765 |
| E04F2 | E04F2 | 1-01 * | D27 | | 1 | N 11-7/8 | | 766 |
| E04F2 | J10N1 | 1-02 * | DXX | | | | | 766 |
| E04F2 | | 1 | | | | | | 766 |
| E04K1 | E04K1 | 1-01 * | D27 | | 1 | N 10-3/8 | | 767 |
| E04K1 | J09E1 | 1-02 * | DXX | | | | | 767 |
| E04K1 | | 1 | | | | | | 767 |
| E04K2 | E04K2 | 1-01 * | D27 | | 1 | N 10-5/8 | | 768 |
| E04K2 | J10E1 | 1-02 * | DXX | | | | | 768 |
| E04K2 | | 1 | | | | | | 768 |
| E04N1 | E04N1 | 1-01 * | D27 | | 1 | N 10-7/8 | | 769 |
| E04N1 | J09N1 | 1-02 * | DXX | | | | | 769 |
| E04N1 | | 1 | | | | | | 769 |
| E04S1 | E04S1 | 1-01 * | D27 | | 1 | N 11-5/8 | | 770 |
| E04S1 | J13E1 | 1-02 * | DXX | | | | | 770 |
| E04S1 | | 1 | | | | | | 770 |
| E04B2 | D01P2 | 1-01 * | D05 | | 1 | N 4-5/8 | | 771 |
| E04B2 | E04B2 | 1-02 * | D05 | | | | | 771 |
| E04B2 | | 1 | | | | | | 771 |
| E04V2 | C15K1 | 1-01 * | D05 | | 2 | N 7-5/8 | | 772 |
| E04V2 | C01H1 | 1-02 * | D05 | | 1 | N 0-7/8 | | 772 |
| E04V2 | E04V2 | 1-03 * | D05 | | | | | 772 |
| E04V2 | | 1 | | | | | | 772 |

| DX11B,U RUN NAME | WRAPD .V35(102)-1 A/P PIN ORDER PIN | 03-JUN-77 BAY - G ORDER | DRAW RV RG Y X Z | OPT | REMARKS | 15-NOV-77 NC LENGTH EXCEPTIONS FLAG | PAGE 03 EXCEPTIONS | RUN NUMBER |
|---------------------|--|----------------------------|---------------------|-----|---------|---|-----------------------|---------------|
| E05F2 | E05F2 | 1-01 * | D09 | | 1 | N 0-4/8 | | 773 |
| E05F2 | E05J2 | 1-02 * | D05 | | | | | 773 |
| E05F2 | | 1 | | | | | | 773 |
| E05K2 | C17E2 | 1-01 * | D09 | | 1 | N 8-7/8 | | 774 |
| E05K2 | E05K2 | 1-02 * | D09 | | | | | 774 |
| E05K2 | | 1 | | | | | | 774 |
| E06V2 | D01L2 | 1-01 * | D05 | | 1 | N 5-7/8 | | 775 |
| E06V2 | E06V2 | 1-02 * S | D05 | | | | | 775 |
| E06V2 | | 1 | | | | | | 775 |
| E07H2 | E01E2 | 1-01 * | D05 | | 2 | N 3-5/8 | | 776 |
| E07H2 | E07H2 | 1-02 * | D05 | | 1 | N 4-5/8 | | 776 |
| E07H2 | E14F1 | 1-03 * | D05 | | | | | 776 |
| E07H2 | | 1 | | | | | | 776 |
| E07J1 | E07J1 | 1-01 * 6 | D09 | | 1 | N 4-3/8 | | 777 |
| E07J1 | E13E2 | 1-02 * | D13 | | | | | 777 |
| E07J1 | | 1 | | | | | | 777 |
| E07M2 | E04T2 | 1-01 * | D05 | | 1 | N 2-3/8 | | 778 |
| E07M2 | E07M2 | 1-02 * | D05 | | | | | 778 |
| E07M2 | | 1 | | | | | | 778 |
| E07N1 | E07N1 | 1-01 * | DXX | | 1 | N 2-3/8 | | 779 |
| E07N1 | E11M1 | 1-02 * | DXX | | 2 | N 1-3/8 | | 779 |
| E07N1 | E11D1 | 1-03 * | DXX | | | | | 779 |
| E07N1 | | 1 | | | | | | 779 |
| E07S2 | E07S2 | 1-01 * | D11 | | 1 | N 4-1/8 | | 780 |
| E07S2 | E13K2 | 1-02 * | D11 | | | | | 780 |
| E07S2 | | 1 | | | | | | 780 |
| E07U1 | C23K1 | 1-01 * | D05 | | 1 | N 13 | | 781 |
| E07U1 | E07U1 | 1-02 * | D05 | | 2 | N 7 | | 781 |
| E07U1 | D01D1 | 1-03 * | D05 | | | | | 781 |
| E07U1 | | 1 | | | | | | 781 |
| E08C1 | E08C1 | 1-01 * | D09 | | 1 | N 1-1/8 | | 782 |
| E08C1 | E09D1 | 1-02 * | D09 | | | | | 782 |
| E08C1 | | 1 | | | | | | 782 |
| E08F1 | D08K2 | 1-01 * 2 | | | 2 | N 3-1/8 | | 783 |
| E08F1 | E08F1 | 1-02 * 1 | | | 1 | N 10-5/8 | | 783 |
| E08F1 | J13D1 | 1-03 * | | | 2 | N 1-1/8 | | 783 |
| E08F1 | J13K2 | 1-04 * | | | | | | 783 |
| E08F1 | | 1 | | | | | | 783 |
| E08F2 | E08F2 | 1-01 * | | | 1 | N 6-7/8 | | 784 |
| E08F2 | C10B1 | 1-02 * | | | | | | 784 |
| E08F2 | | 1 | | | | | | 784 |
| E08K1 | E08K1 | 1-01 * | D09 | | 1 | N 1-1/8 | | 785 |
| E08K1 | E09J1 | 1-02 * | D09 | | | | | 785 |
| E08K1 | | 1 | | | | | | 785 |

DX118.U
RUN NAME

WRAPD .V35(102)-1
A/P PIN ORDER NAME PIN

03-JUN-77
BAY - Q DRAW RV RG Y X Z

15-NOV-77
REMARKS

15148 PAGE 84
NC LENGTH EXCEPTIONS
FLAG

RUN
NUMBER

| DX118.U RUN NAME | WRAPD .V35(102)-1 A/P PIN ORDER NAME PIN | 03-JUN-77 BAY - Q DRAW RV RG Y X Z | 15-NOV-77 REMARKS | 15148 PAGE 84 NC LENGTH EXCEPTIONS FLAG | RUN NUMBER |
|---------------------|---|---------------------------------------|----------------------|---|---------------|
| E08K2 | E08K2 | 1-01 * D09 | 1 | N 8-7/8 | 786 |
| E08K2 | F20J1 | 1-02 * DXX | 1 | 8-7/8 | 786 |
| E08N1 | E08N1 | 1-01 * D09 | 1 | N 1 | 787 |
| E08N1 | E08L1 | 1-02 * D09 | 1 | 1-0/8 | 787 |
| E08N2 | E08N2 | 1-01 * D09 | 1 | N 9-1/8 | 788 |
| E08N2 | F20R1 | 1-02 * DXX | 1 | 9-1/8 | 788 |
| E08S1 | E08S1 | 1-01 * D09 | 1 | N 1-3/8 | 789 |
| E08S1 | E09U2 | 1-02 * D09 | 1 | 1-3/8 | 789 |
| E08S2 | E08S2 | 1-01 * 8 DXX | 1 | N 8-3/8 | 790 |
| E08S2 | F20M1 | 1-02 * DXX | 1 | 8-3/8 | 790 |
| E08V2 | E08V2 | 1-01 * D09 | 1 | N 1-3/8 | 791 |
| E08V2 | E10U2 | 1-02 * D09 | 1 | 1-3/8 | 791 |
| E09A1 | C17F2 | 1-01 * D09 | 1 | N 6-7/8 | 792 |
| E09A1 | E09A1 | 1-02 * D09 | 1 | 6-7/8 | 792 |
| E09K1 | C16F2 | 1-01 * D09 | 1 | N 9-5/8 | 793 |
| E09K1 | E09K1 | 1-02 * D09 | 1 | 9-5/8 | 793 |
| E09M1 | C15F2 | 1-01 * D09 | 1 | N 9-5/8 | 794 |
| E09M1 | E09M1 | 1-02 * D09 | 1 | 9-5/8 | 794 |
| E09V2 | C14F2 | 1-01 * D09 | 1 | N 9-5/8 | 795 |
| E09V2 | E09V2 | 1-02 * D09 | 1 | 9-5/8 | 795 |
| E10A1 | C13F2 | 1-01 * D09 | 1 | N 6-7/8 | 796 |
| E10A1 | E10A1 | 1-02 * D09 | 1 | 6-7/8 | 796 |
| E10K1 | C12F2 | 1-01 * D09 | 1 | N 7-3/8 | 797 |
| E10K1 | E10K1 | 1-02 * D09 | 1 | 7-3/8 | 797 |
| E10M1 | C11F2 | 1-01 * D09 | 1 | N 7-1/8 | 798 |
| E10M1 | E10M1 | 1-02 * D09 | 1 | 7-1/8 | 798 |
| E10V2 | C10F2 | 1-01 * D09 | 1 | N 7-2/8 | 799 |
| E10V2 | E10V2 | 1-02 * D09 | 1 | 7-2/8 | 799 |

DX118.U
RUN NAME

WRAPD .V35(102)-1
A/P PIN ORDER NAME PIN

03-JUN-77
BAY - Q DRAW RV RG Y X Z

15-NOV-77
REMARKS

15148 PAGE 85
NC LENGTH EXCEPTIONS
FLAG

RUN
NUMBER

| DX118.U RUN NAME | WRAPD .V35(102)-1 A/P PIN ORDER NAME PIN | 03-JUN-77 BAY - Q DRAW RV RG Y X Z | 15-NOV-77 REMARKS | 15148 PAGE 85 NC LENGTH EXCEPTIONS FLAG | RUN NUMBER |
|---------------------|---|---------------------------------------|----------------------|---|---------------|
| E11J2 | E11J2 | 1-01 * S DXX | 1 | N 1 | 800 |
| E11J2 | E11M1 | 1-02 * DXX | 1 | 1-0/8 | 800 |
| E11K2 | E11K2 | 1-01 * S DXX | 1 | N 1 | 801 |
| E11K2 | E11P1 | 1-02 * DXX | 1 | 1-0/8 | 801 |
| E12J2 | A09D2 | 1-01 * D24 | 1 | N 12-7/8 | 802 |
| E12J2 | E12J2 | 1-02 * S D24 | 1 | 12-7/8 | 802 |
| E12P2 | B05P1 | 1-01 * D08 | 1 | N 11-7/8 | 803 |
| E12P2 | E12P2 | 1-02 * S D08 | 1 | 11-7/8 | 803 |
| E12V2 | B05R1 | 1-01 * D08 | 1 | N 12-3/8 | 804 |
| E12V2 | E12V2 | 1-02 * S D08 | 1 | 12-3/8 | 804 |
| E13N2 | C20T2 | 1-01 * D20 | 1 | N 7-7/8 | 805 |
| E13N2 | E13N2 | 1-02 * D20 | 1 | 7-7/8 | 805 |
| E14J2 | B01H1 | 1-01 * D05 | 1 | N 12-1/8 | 806 |
| E14J2 | E14J2 | 1-02 * D05 | 1 | 12-1/8 | 806 |
| E14L1 | E13H2 | 1-01 * D05 | 1 | N 8-5/8 | 807 |
| E14L1 | E14L1 | 1-02 * D05 | 2 | N 3-1/8 | 807 |
| E14L1 | F14K2 | 1-03 * D05 | 1 | 3-6/8 | 807 |
| E14S1 | E06U2 | 1-01 * D05 | 1 | N 4-3/8 | 808 |
| E14S1 | E14S1 | 1-02 * S D05 | 1 | 4-3/8 | 808 |
| E14V2 | A24R2 | 1-01 * D13 | 1 | N 16-3/8 | 809 |
| E14V2 | E14V2 | 1-02 * D13 | 1 | 16-3/8 | 809 |
| E15D1 | C25S1 | 1-01 * D11 | 1 | N 4-7/8 | 810 |
| E15D1 | E23A1 | 1-02 * D11 | 2 | N 4-5/8 | 810 |
| E15D1 | E15D1 | 1-03 * D11 | 1 | 9-4/8 | 810 |
| E15W2 | E15H2 | 1-01 * D11 | 1 | N 4-5/8 | 811 |
| E15K2 | E23P2 | 1-02 * D11 | 1 | 4-5/8 | 811 |
| E15J1 | E15J1 | 1-01 * D11 | 1 | N 6-1/8 | 812 |
| E15J1 | E25B1 | 1-02 * D11 | 1 | 6-1/8 | 812 |

| DX118,U RUN NAME | WRAPD .V35(102)-1 A/P PIN ORDER PIN | 03-JUN-77 BAY - Q ORDER | DRAW | RV | RG | Y | X | Z | REMARKS | 15-NOV-77 | 15148 NC LENGTH FLAG | PAGE 88 EXCEPTIONS | RUN NUMBER |
|---------------------|--|-------------------------------|------|----|----|---|---|---|---------|-----------|----------------------------|-----------------------|---------------|
| E18N1 | E18N1 | 1-01 * | D18 | | | | | 1 | | | N 0-7/8 | | 838 |
| E18N1 | C22A1 | 1-02 * | D18 | | | | | | | | | | 839 |
| E18N1 | | 1 | | | | | | | | | | | 838 |
| E18N2 | C17B1 | 1-01 * | D06 | | | | | 1 | | | N 7-5/8 | | 839 |
| E18N2 | E18N2 | 1-02 * | D06 | | | | | | | | | | 839 |
| E18N2 | | 1 | | | | | | | | | | | 839 |
| E18B1 | E18B2 | 1-01 * | D06 | | | | | 1 | | | N 2-1/8 | | 840 |
| E18B1 | E18B1 | 1-02 * | D06 | | | | | | | | | | 840 |
| E18B1 | | 1 | | | | | | | | | | | 840 |
| E18V2 | E18V2 | 1-01 * | D06 | | | | | 1 | | | N 2-2/8 | | 841 |
| E18V2 | E20J1 | 1-02 * | D06 | | | | | | | | | | 841 |
| E18V2 | | 1 | | | | | | | | | | | 841 |
| E19C1 | C16B1 | 1-01 * | D06 | | | | | 1 | | | N 7-1/8 | | 842 |
| E19C1 | E19C1 | 1-02 * | D06 | | | | | | | | | | 842 |
| E19C1 | | 1 | | | | | | | | | | | 842 |
| E19F1 | C15B1 | 1-01 * | D06 | | | | | 1 | | | N 0-1/8 | | 843 |
| E19F1 | E19F1 | 1-02 * | D06 | | | | | | | | | | 843 |
| E19F1 | | 1 | | | | | | | | | | | 843 |
| E19K1 | C21P1 | 1-01 * | D20 | | | | | 1 | | | N 6-1/8 | | 844 |
| E19K1 | E19K1 | 1-02 * 5 | D20 | | | | | | | | | | 844 |
| E19K1 | | 1 | | | | | | | | | | | 844 |
| E19K2 | E19K2 | 1-01 * | D13 | | | | | 1 | | | N 0-1/8 | | 845 |
| E19K2 | E19L2 | 1-02 * | D13 | | | | | | | | | | 845 |
| E19K2 | | 1 | | | | | | | | | | | 845 |
| E19N1 | C09E2 | 1-01 * | DXX | | | | | 1 | | | N 0-1/8 | | 846 |
| E19N1 | C09F2 | 1-02 * | DXX | | | | | 2 | | | N 9-6/8 | | 846 |
| E19N1 | E19N1 | 1-03 * | DXX | | | | | | | | | | 846 |
| E19N1 | | 1 | | | | | | | | | | | 846 |
| E19N2 | C12M2 | 1-01 * | D13 | | | | | 1 | | | N 9-2/8 | | 847 |
| E19N2 | E19N2 | 1-02 * | D13 | | | | | | | | | | 847 |
| E19N2 | | 1 | | | | | | | | | | | 847 |
| E19B2 | E19B2 | 1-01 * | D13 | | | | | 1 | | | N 0-1/8 | | 848 |
| E19B2 | E19T2 | 1-02 * | D13 | | | | | | | | | | 848 |
| E19B2 | | 1 | | | | | | | | | | | 848 |
| E19V2 | C10M2 | 1-01 * | D13 | | | | | 1 | | | N 10-1/8 | | 849 |
| E19V2 | E19V2 | 1-02 * | D13 | | | | | | | | | | 849 |
| E19V2 | | 1 | | | | | | | | | | | 849 |
| E20E1 | E18H2 | 1-01 * | D06 | | | | | 1 | | | N 1-3/8 | | 850 |
| E20E1 | E20E1 | 1-02 * | D06 | | | | | | | | | | 850 |
| E20E1 | | 1 | | | | | | | | | | | 850 |
| E20K1 | E17P1 | 1-01 * | D06 | | | | | 1 | | | N 2-3/8 | | 851 |
| E20K1 | E20K1 | 1-02 * | D06 | | | | | | | | | | 851 |
| E20K1 | | 1 | | | | | | | | | | | 851 |

| DX118,U RUN NAME | WRAPD .V35(102)-1 A/P PIN ORDER PIN | 03-JUN-77 BAY - Q ORDER | DRAW | RV | RG | Y | X | Z | REMARKS | 15-NOV-77 | 15148 NC LENGTH FLAG | PAGE 89 EXCEPTIONS | RUN NUMBER |
|---------------------|--|-------------------------------|------|----|----|---|---|---|---------|-----------|----------------------------|-----------------------|---------------|
| E20F1 | E19D1 | 1-01 * | D06 | | | | | 1 | | | N 1-7/8 | | 852 |
| E20P1 | E20P1 | 1-02 * | D06 | | | | | | | | | | 852 |
| E20P1 | | 1 | | | | | | | | | | | 852 |
| E21C1 | E21C1 | 1-01 * | D11 | | | | | 2 | | | N 1-3/8 | | 853 |
| E21C1 | E21L1 | 1-02 * | D11 | | | | | 1 | | | N 2-3/8 | | 853 |
| E21C1 | E25M1 | 1-03 * | D11 | | | | | | | | | | 853 |
| E21C1 | | 1 | | | | | | | | | | | 853 |
| E21F1 | E21F1 | 1-01 * | D11 | | | | | 1 | | | N 1-2/8 | | 854 |
| E21F1 | E22M1 | 1-02 * | D11 | | | | | | | | | | 854 |
| E21F1 | | 1 | | | | | | | | | | | 854 |
| E21F2 | B23M1 | 1-01 * | D11 | | | | | 1 | | | N 8-1/8 | | 855 |
| E21F2 | E21F2 | 1-02 * | D11 | | | | | 2 | | | N 1-4/8 | | 855 |
| E21F2 | E21R2 | 1-03 * | D11 | | | | | | | | | | 855 |
| E21F2 | | 1 | | | | | | | | | | | 855 |
| E21K1 | E21K1 | 1-01 * | D11 | | | | | 1 | | | N 1-4/8 | | 856 |
| E21K1 | E22S2 | 1-02 * | D11 | | | | | | | | | | 856 |
| E21K1 | | 1 | | | | | | | | | | | 856 |
| E21K2 | A06T2 | 1-01 * | D11 | | | | | 1 | | | N 15-7/8 | | 857 |
| E21K2 | E21K2 | 1-02 * | D11 | | | | | | | | | | 857 |
| E21K2 | | 1 | | | | | | | | | | | 857 |
| E21N1 | B20L2 | 1-01 * | D11 | | | | | 2 | | | N 5-1/8 | | 858 |
| E21N1 | C14B1 | 1-02 * | D11 | | | | | 1 | | | N 8-1/8 | | 858 |
| E21N1 | E21N1 | 1-03 * | D11 | | | | | | | | | | 858 |
| E21N1 | | 1 | | | | | | | | | | | 858 |
| E21N2 | E21N2 | 1-01 * | D11 | | | | | 1 | | | N 1 | | 859 |
| E21N2 | E21I2 | 1-02 * | D11 | | | | | | | | | | 859 |
| E21N2 | | 1 | | | | | | | | | | | 859 |
| E21B1 | E21B2 | 1-01 * | D11 | | | | | 1 | | | N 0-4/8 | | 860 |
| E21B1 | E21L2 | 1-02 * | D11 | | | | | 2 | | | N 1-2/8 | | 860 |
| E21B1 | E21B1 | 1-03 * | D11 | | | | | | | | | | 860 |
| E21B1 | | 1 | | | | | | | | | | | 860 |
| E21B2 | A06V2 | 1-01 * | D11 | | | | | 1 | | | N 17 | | 861 |
| E21B2 | E21B2 | 1-02 * | D11 | | | | | | | | | | 861 |
| E21B2 | | 1 | | | | | | | | | | | 861 |
| E21V2 | B23P1 | 1-01 * | D11 | | | | | 1 | | | N 9-3/8 | | 862 |
| E21V2 | E21V2 | 1-02 * | D11 | | | | | | | | | | 862 |
| E21V2 | | 1 | | | | | | | | | | | 862 |
| E22J2 | E16M1 | 1-01 * | D11 | | | | | 1 | | | N 4-5/8 | | 863 |
| E22J2 | E22J2 | 1-02 * | D11 | | | | | | | | | | 863 |
| E22J2 | | 1 | | | | | | | | | | | 863 |

106

| DX11B.U RUN NAME | WRAPD .V35(102)-1 03-JUN-77 | | | DRAW | RV | RG | Y | X | Z | REMARKS | 15-NOV-77 | 15140 | | RUN NUMBER |
|---------------------|-----------------------------|--------|-------|------|-----|----|---|---|---|---------|-----------|-------|--------|---------------|
| | A/P | PIN | ORDER | | | | | | | | | NC | LENGTH | |
| | NAME | ORDER | PIN | Q | OPT | | | | | | | FLAG | | |
| E22P2 | C1961 | 1-01 * | | | D11 | | | | 1 | | | N | 6-5/8 | 864 |
| E23P1 | E23P1 | 1-02 * | | | D11 | | | | 2 | | | N | 1-5/8 | 864 |
| E23P2 | E23P2 | 1-03 * | | | D11 | | | | | | | | | 864 |
| E22V2 | C1661 | 1-01 * | | | D11 | | | | 1 | | | N | 8-2/8 | 865 |
| E23R2 | E23R2 | 1-02 * | | | D11 | | | | 2 | | | N | 8-4/8 | 865 |
| E23V2 | E23V2 | 1-03 * | | | D11 | | | | | | | N | 1-1/8 | 865 |
| E23E1 | B20H1 | 1-01 * | | | D11 | | | | 1 | | | N | 9-5/8 | 865 |
| E23E1 | E23E1 | 1-02 * | | | D11 | | | | | | | N | 9-3/8 | 866 |
| E23E1 | E23E1 | 1-02 * | | | D11 | | | | | | | | | 866 |
| E23J2 | B20P1 | 1-01 * | | | D11 | | | | 1 | | | N | 9-3/8 | 867 |
| E23J2 | E23J2 | 1-02 * | | | D11 | | | | | | | N | 9-3/8 | 867 |
| E23L1 | B20L1 | 1-01 * | | | D11 | | | | 1 | | | N | 9-5/8 | 868 |
| E23L1 | E23L1 | 1-02 * | | | D11 | | | | | | | N | 9-5/8 | 868 |
| E23P2 | B20H2 | 1-01 * | | | D11 | | | | 1 | | | N | 10-3/8 | 869 |
| E23P2 | E23P2 | 1-02 * | | | D11 | | | | | | | N | 10-3/8 | 869 |
| E23H1 | E23H2 | 1-01 * | | | D11 | | | | 1 | | | N | 1-5/8 | 870 |
| E23H1 | E23H1 | 1-02 * | | | D11 | | | | | | | N | 1-5/8 | 870 |
| E23V2 | E23V2 | 1-01 * | | | D11 | | | | 1 | | | N | 1-7/8 | 871 |
| E23V2 | E24H1 | 1-02 * | | | D11 | | | | | | | N | 1-7/8 | 871 |
| E24C1 | E23B2 | 1-01 * | | | D11 | | | | 1 | | | N | 2-1/8 | 872 |
| E24C1 | E24C1 | 1-02 * | | | D11 | | | | | | | N | 2-1/8 | 872 |
| E24F1 | E23T2 | 1-01 * | | | D11 | | | | 1 | | | N | 1-7/8 | 873 |
| E24F1 | E24F1 | 1-02 * | | | D11 | | | | | | | N | 1-7/8 | 873 |
| E24F2 | E24F2 | 1-01 * | | | D11 | | | | 1 | | | N | 0-1/8 | 874 |
| E24F2 | E24H2 | 1-02 * | | | D11 | | | | | | | N | 0-1/8 | 874 |
| E24K1 | C16R1 | 1-01 * | | | D11 | | | | 1 | | | N | 7-2/8 | 875 |
| E24K1 | E24K1 | 1-02 * | | | D11 | | | | | | | N | 7-2/8 | 875 |
| E24K2 | C12R1 | 1-01 * | | | D11 | | | | 1 | | | N | 10-1/8 | 876 |
| E24K2 | E24K2 | 1-02 * | | | D11 | | | | | | | N | 10-1/8 | 876 |

| DX11B.U RUN NAME | WRAPD .V35(102)-1 03-JUN-77 | | | DRAW | RV | RG | Y | X | Z | REMARKS | 15-NOV-77 | 15140 | | RUN NUMBER |
|---------------------|-----------------------------|--------|-------|------|-----|----|---|---|---|---------|-----------|-------|--------|---------------|
| | A/P | PIN | ORDER | | | | | | | | | NC | LENGTH | |
| | NAME | ORDER | PIN | Q | OPT | | | | | | | FLAG | | |
| E24N1 | C13R1 | 1-01 * | | | D11 | | | | 1 | | | N | 8-2/8 | 877 |
| E24N1 | E24N1 | 1-02 * | | | D11 | | | | | | | | | 877 |
| E24E1 | E24E2 | 1-01 * | | | D11 | | | | 1 | | | N | 1-7/8 | 878 |
| E24E1 | E24E1 | 1-02 * | | | D11 | | | | | | | N | 1-7/8 | 878 |
| E24E2 | E24M2 | 1-01 * | | | D24 | | | | 1 | | | N | 1 | 879 |
| E24E2 | E24E2 | 1-02 * | | | D24 | | | | | | | N | 1-0/8 | 879 |
| E24V2 | C11M2 | 1-01 * | | | D13 | | | | 1 | | | N | 9-7/8 | 880 |
| E24V2 | E24V2 | 1-02 * | | | D13 | | | | | | | N | 9-7/8 | 880 |
| E25E1 | E23J1 | 1-01 * | | | D11 | | | | 1 | | | N | 1-5/8 | 881 |
| E25E1 | E25E1 | 1-02 * | | | D11 | | | | | | | N | 1-5/8 | 881 |
| E25J2 | E23J2 | 1-01 * | | | D11 | | | | 1 | | | N | 2 | 882 |
| E25J2 | E25J2 | 1-02 * | | | D11 | | | | | | | N | 2-0/8 | 882 |
| E25L1 | E23K1 | 1-01 * | | | D11 | | | | 1 | | | N | 1-5/8 | 883 |
| E25L1 | E25L1 | 1-02 * | | | D11 | | | | | | | N | 1-5/8 | 883 |
| E25P2 | A24K2 | 1-01 * | | | D13 | | | | 1 | | | N | 11-7/8 | 884 |
| E25P2 | E25P2 | 1-02 * | | | D13 | | | | | | | N | 11-7/8 | 884 |
| E25H1 | C15E1 | 1-01 * | | | D11 | | | | 1 | | | N | 6-6/8 | 885 |
| E25H1 | E23K2 | 1-02 * | | | D11 | | | | 2 | | | N | 1-4/8 | 885 |
| E25H1 | E25H1 | 1-03 * | | | D11 | | | | | | | N | 0-2/8 | 885 |
| E25V2 | E25V2 | 1-01 * | | | D13 | | | | 1 | | | N | 2-1/8 | 886 |
| E25V2 | E26J2 | 1-02 * | | | D13 | | | | | | | N | 2-1/8 | 886 |
| E26C1 | E26C1 | 1-01 * | | | D13 | | | | 1 | | | N | 0-4/8 | 887 |
| E26C1 | E26C1 | 1-02 * | | | D13 | | | | | | | N | 0-4/8 | 887 |
| E26F1 | C25N2 | 1-01 * | | | D13 | | | | 1 | | | N | 5-1/8 | 888 |
| E26F1 | E26F1 | 1-02 * | | | D13 | | | | 2 | | | N | 1-5/8 | 888 |
| E26F1 | E26A1 | 1-03 * | | | D13 | | | | | | | N | 6-6/8 | 888 |
| E26F2 | E26F2 | 1-01 * | | | D13 | | | | 1 | | | N | 0-1/8 | 889 |
| E26F2 | E26H2 | 1-02 * | | | D13 | | | | | | | N | 0-1/8 | 889 |

| DX118.U RUN NAME | WRAPD .V35(102)-1 A/P PIN ORDER PIN | 03-JUN-77 BAY - G DRAW OPT | RV RG Y X Z | REMARKS | 15-NOV-77 | 15148 NC LENGTH FLAG | PAGE 92 EXCEPTIONS | RUN NUMBER |
|---------------------|--|-------------------------------|-------------|---------|-----------|----------------------------|-----------------------|---------------|
| E26K1 | E26K1 | 1-01 * D18 | 1 | | | N 5-1/8 | | 890 |
| E26K1 | F19R2 | 1-02 * D18 | | | | | | 890 |
| E26K1 | | 1 | | | | | | 890 |
| E26K2 | C24N2 | 1-01 * D13 | 1 | | | N 6-1/8 | | 891 |
| E26K2 | E26K2 | 1-02 * D13 | 2 | | | N 2-3/8 | | 891 |
| E26K2 | E30H1 | 1-03 * D13 | | | | 8-4/8 | | 891 |
| E26K2 | | 1 | | | | | | 891 |
| E26N1 | A24J2 | 1-01 * D13 | 1 | | | N 12-1/8 | | 892 |
| E26N1 | E26N1 | 1-02 * D13 | | | | 12-1/8 | | 892 |
| E26N1 | | 1 | | | | | | 892 |
| E26N2 | E26N2 | 1-01 * D13 | 1 | | | N 0-1/8 | | 893 |
| E26N2 | E26P2 | 1-02 * D13 | | | | 0-1/8 | | 893 |
| E26N2 | | 1 | | | | | | 893 |
| E2681 | E2681 | 1-01 * 1 | 1 | | | N 6-5/8 | | 894 |
| E2681 | C24P2 | 1-02 * 1 | | | | 6-5/8 | | 894 |
| E2681 | | 1 | | | | | | 894 |
| E2682 | C22N2 | 1-01 * D13 | 1 | | | N 7-7/8 | | 895 |
| E2682 | E2682 | 1-02 * D13 | 2 | | | N 1-5/8 | | 895 |
| E2682 | E26R2 | 1-03 * D13 | | | | 9-4/8 | | 895 |
| E2682 | | 1 | | | | | | 895 |
| E26V2 | A24P2 | 1-01 * D13 | 1 | | | N 12-5/8 | | 896 |
| E26V2 | E26V2 | 1-02 * D13 | | | | 12-5/8 | | 896 |
| E26V2 | | 1 | | | | | | 896 |
| E27C1 | E27C1 | 1-01 * D13 | 1 | | | N 0-1/8 | | 897 |
| E27C1 | E27D1 | 1-02 * D13 | | | | 0-1/8 | | 897 |
| E27C1 | | 1 | | | | | | 897 |
| E27F1 | C20N2 | 1-01 * D13 | 1 | | | N 6-6/8 | | 898 |
| E27F1 | E29F1 | 1-02 * D13 | 2 | | | N 1-4/8 | | 898 |
| E27F1 | E27F1 | 1-03 * D13 | | | | 0-2/8 | | 898 |
| E27F1 | | 1 | | | | | | 898 |
| E27K1 | B30R1 | 1-01 * D27 | 1 | | | N 9-1/8 | | 899 |
| E27K1 | E27K1 | 1-02 * D27 | | | | 9-1/8 | | 899 |
| E27K1 | | 1 | | | | | | 899 |
| E2782 | C24K1 | 1-01 * D05 | 1 | | | N 8-1/8 | | 900 |
| E2782 | E27S2 | 1-02 * D05 | 2 | | | N 2-7/8 | | 900 |
| E2782 | F29H1 | 1-03 * D05 | | | | 11-0/8 | | 900 |
| E2782 | | 1 | | | | | | 900 |
| E27V2 | E22U2 | 1-01 * D11 | 1 | | | N 3-1/8 | | 901 |
| E27V2 | E27V2 | 1-02 * S D11 | | | | 3-1/8 | | 901 |
| E27V2 | | 1 | | | | | | 901 |
| E28E1 | E28E1 | 1-01 * D13 | 1 | | | N 1-7/8 | | 902 |
| E28E1 | E30A1 | 1-02 * D13 | | | | 1-7/8 | | 902 |
| E28E1 | | 1 | | | | | | 902 |

| DX118.U RUN NAME | WRAPD .V35(102)-1 A/P PIN ORDER PIN | 03-JUN-77 BAY - G DRAW OPT | RV RG Y X Z | REMARKS | 15-NOV-77 | 15148 NC LENGTH FLAG | PAGE 93 EXCEPTIONS | RUN NUMBER |
|---------------------|--|-------------------------------|-------------|---------|-----------|----------------------------|-----------------------|---------------|
| E28J2 | E28J2 | 1-01 * D13 | 1 | | | N 1-3/8 | | 903 |
| E28J2 | E30D1 | 1-02 * D13 | | | | 1-3/8 | | 903 |
| E28J2 | | 1 | | | | | | 903 |
| E28V2 | E28V2 | 1-01 * D13 | 1 | | | N 1-3/8 | | 904 |
| E28V2 | E30P1 | 1-02 * D13 | | | | 1-3/8 | | 904 |
| E28V2 | | 1 | | | | | | 904 |
| E29E1 | E29E1 | 1-01 * D13 | 1 | | | N 1-3/8 | | 905 |
| E29E1 | E30D2 | 1-02 * D13 | | | | 1-3/8 | | 905 |
| E29E1 | | 1 | | | | | | 905 |
| E29L1 | E29L1 | 1-01 * D13 | 1 | | | N 1-2/8 | | 906 |
| E29L1 | E30P2 | 1-02 * D13 | | | | 1-2/8 | | 906 |
| E29L1 | | 1 | | | | | | 906 |
| E29P2 | E27P1 | 1-01 * D13 | 1 | | | N 1-6/8 | | 907 |
| E29P2 | E29P2 | 1-02 * S D13 | | | | 1-6/8 | | 907 |
| E29P2 | | 1 | | | | | | 907 |
| E29S1 | E29J1 | 1-01 * D13 | 1 | | | N 1-3/8 | | 908 |
| E29S1 | E29S1 | 1-02 * D13 | | | | 1-3/8 | | 908 |
| E29S1 | | 1 | | | | | | 908 |
| E29V2 | E27R1 | 1-01 * D13 | 1 | | | N 2-1/8 | | 909 |
| E29V2 | E29V2 | 1-02 * S D13 | | | | 2-1/8 | | 909 |
| E29V2 | | 1 | | | | | | 909 |
| E30C1 | C29M2 | 1-01 * D13 | 1 | | | N 6-7/8 | | 910 |
| E30C1 | E30C1 | 1-02 * D13 | | | | 6-7/8 | | 910 |
| E30C1 | | 1 | | | | | | 910 |
| E30P1 | C23M2 | 1-01 * D13 | 1 | | | N 7-6/8 | | 911 |
| E30P1 | E30P1 | 1-02 * D13 | | | | 7-6/8 | | 911 |
| E30P1 | | 1 | | | | | | 911 |
| E30P2 | C21M2 | 1-01 * D13 | 1 | | | N 7 | | 912 |
| E30P2 | E30P2 | 1-02 * D13 | | | | 7-0/8 | | 912 |
| E30P2 | | 1 | | | | | | 912 |
| E30K1 | E30K1 | 1-01 * D13 | 1 | | | N 0-1/8 | | 913 |
| E30K1 | E30L1 | 1-02 * D13 | | | | 0-1/8 | | 913 |
| E30K1 | | 1 | | | | | | 913 |
| E30K2 | E29M1 | 1-01 * D13 | 1 | | | N 1-3/8 | | 914 |
| E30K2 | E30K2 | 1-02 * D13 | | | | 1-3/8 | | 914 |
| E30K2 | | 1 | | | | | | 914 |
| E30N1 | C24M2 | 1-01 * D13 | 1 | | | N 8-5/8 | | 915 |
| E30N1 | E30N1 | 1-02 * D13 | | | | 8-5/8 | | 915 |
| E30N1 | | 1 | | | | | | 915 |
| E30N2 | E29P1 | 1-01 * D13 | 1 | | | N 1-3/8 | | 916 |
| E30N2 | E30N2 | 1-02 * D13 | | | | 1-3/8 | | 916 |
| E30N2 | | 1 | | | | | | 916 |

100

| DX11B.U RUN NAME | A/P | PIN NAME | ORDER PIN | 03-JUN-77 DAY - G ORDER | 15-NOV-77 | 19148 NC LENGTH FLAG | PAGE 94 EXCEPTIONS | RUN NUMBER |
|---------------------|-----|-------------|--------------|-------------------------------|-----------|----------------------------|-----------------------|---------------|
| | | | | | REMARKS | | | |
| E3081 | | C22M2 | 1-01 * | D13 | 1 | N | 9-7/8 | 917 |
| E3081 | | E3081 | 1-02 * | D13 | | | 9-7/8 | 917 |
| E3082 | | C20M2 | 1-01 * | D13 | 1 | N | 8-7/8 | 918 |
| E3082 | | E3082 | 1-02 * | D13 | | | 8-7/8 | 918 |
| E30V2 | | E30V2 | 1-01 * | D13 | 1 | N | 2-5/8 | 919 |
| E30V2 | | E31A1 | 1-02 * | D13 | | | 2-5/8 | 919 |
| E31C1 | | C17M2 | 1-01 * | D13 | 1 | N | 11-3/8 | 920 |
| E31C1 | | E31C1 | 1-02 * | D13 | | | 11-3/8 | 920 |
| E31F1 | | E31F1 | 1-01 * | D13 | 1 | N | 0-1/8 | 921 |
| E31F1 | | E31H1 | 1-02 * | D13 | | | 0-1/8 | 921 |
| E31F2 | | E31F2 | 1-01 * | D13 | 1 | N | 0-1/8 | 922 |
| E31F2 | | E31H2 | 1-02 * | D13 | | | 0-1/8 | 922 |
| E31K1 | | C15M2 | 1-01 * | D13 | 1 | N | 13-1/8 | 923 |
| E31K1 | | E31K1 | 1-02 * | D13 | | | 13-1/8 | 923 |
| E31K2 | | C14M2 | 1-01 * | D13 | 1 | N | 13-7/8 | 924 |
| E31K2 | | E31K2 | 1-02 * | D13 | | | 13-7/8 | 924 |
| E31N1 | | E31N1 | 1-01 * | D13 | 1 | N | 0-1/8 | 925 |
| E31N1 | | E31P1 | 1-02 * | D13 | | | 0-1/8 | 925 |
| E31N2 | | E31N2 | 1-01 * | D13 | 1 | N | 0-1/8 | 926 |
| E31N2 | | E31P2 | 1-02 * | D13 | | | 0-1/8 | 926 |
| E31S1 | | C16M2 | 1-01 * | D13 | 1 | N | 11-6/8 | 927 |
| E31S1 | | E31S1 | 1-02 * | D13 | | | 11-6/8 | 927 |
| E31S2 | | C13M2 | 1-01 * | D13 | 1 | N | 15-1/8 | 928 |
| E31S2 | | E31S2 | 1-02 * | D13 | | | 15-1/8 | 928 |
| E31V2 | | E24T2 | 1-01 * | D13 | 1 | N | 4-1/8 | 929 |
| E31V2 | | E31V2 | 1-02 * | D13 | | | 4-1/8 | 929 |
| E32D1 | | E32D1 | 1-01 * 5 | DXX | 1 | N | 1-3/8 | 930 |
| E32D1 | | E32L2 | 1-02 * | DXX | | | 1-3/8 | 930 |
| E32D1 | | E32D1 | 1-01 * | DXX | 1 | N | 0-1/8 | 931 |
| E32D1 | | E32E2 | 1-02 * | DXX | | | 0-1/8 | 931 |
| E32P1 | | E32P1 | 1-01 * | 1 | 1 | N | 0-4/8 | 932 |
| E32P1 | | E32S2 | 1-02 * | 1 | | | 0-4/8 | 932 |
| E32R2 | | E32R2 | 1-01 * | 1 | 1 | N | 1 | 933 |
| E32R2 | | E32V2 | 1-02 * | 1 | | | 1-0/8 | 933 |
| E32T2 | | E32T2 | 1-01 * | 1 | 1 | N | 2-6/8 | 934 |
| E32T2 | | F29H2 | 1-02 * | 1 | | | 2-6/8 | 934 |
| EN DATA TO BUS | L | A25N1 | 1-01 * | D17 | 1 | N | 8-7/8 | 935 |
| EN DATA TO BUS | L | D25R2 | 1-02 * | D19 | | | 8-7/8 | 935 |
| EN DATA TO BUS-A | L | A25S1 | 1-01 * | D17 | 1 | N | 11-7/8 | 936 |
| EN DATA TO BUS-A | L | D17R2 | 1-02 * | D19 | | | 11-7/8 | 936 |
| EN FCIN | H | C09P1 | 1-01 * | DXX | 1 | N | 0-1/8 | 937 |
| EN FCIN | H | C09R1 | 1-02 * | DXX | 2 | | 0-1/8 | 937 |
| EN FCIN | H | E19S1 | 1-03 * | DXX | | | 0-1/8 | 937 |
| EN FCIN | L | A24L2 | 1-01 * | DXX | 1 | N | 12-7/8 | 938 |
| EN FCIN | L | C09J2 | 1-02 * | DXX | 2 | | 12-7/8 | 938 |
| EN FCIN | L | E19P1 | 1-03 * | DXX | 1 | N | 9-4/8 | 938 |
| EN FCIN | L | E19R1 | 1-04 * | DXX | 2 | | 0-1/8 | 938 |
| EN FCIN | L | F20A1 | 1-05 * | DXX | 1 | N | 1-7/8 | 938 |
| ENABLE | H | E27J1 | 1-01 * | DXX | 2 | | 24-3/8 | 939 |
| ENABLE | H | D09M1 | 1-02 * | DXX | 1 | N | 11-5/8 | 939 |
| ENABLE | H | H09E1 | 1-03 * | DXX | 2 | | 7-4/8 | 939 |
| ENABLE | H | H10E1 | 1-04 * | DXX | 1 | N | 1 | 939 |
| ENABLE | H | H11L2 | 1-05 * | DXX | 2 | | 1-5/8 | 939 |
| ENABLE | H | H10L2 | 1-06 * | DXX | 1 | N | 1 | 939 |
| ENABLE | H | H09L2 | 1-07 * | DXX | 2 | | 0-4/8 | 939 |
| ENABLE | H | H09N1 | 1-08 * | DXX | 1 | N | 0-4/8 | 939 |
| ENABLE | H | H09V2 | 1-09 * | DXX | 2 | | 0-4/8 | 939 |
| ENABLE | H | H10V2 | 1-10 * | DXX | 1 | N | 1-3/8 | 939 |
| ENABLE | H | H11V2 | 1-11 * | DXX | 2 | | 1 | 939 |
| ENABLE | H | J11E1 | 1-12 * | DXX | 1 | N | 1-7/8 | 939 |
| ENABLE | H | J11L2 | 1-13 * | D27 | 2 | | 1-2/8 | 939 |
| ENABLE | H | J11V2 | 1-14 * | D27 | 1 | N | 1-4/8 | 939 |
| END CYCLE | H | C17R1 | 1-01 * | D11 | 1 | N | 32-2/8 | 940 |
| END CYCLE | H | D26P2 | 1-02 * | D18 | | | 7-5/8 | 940 |

| DX11B.U RUN NAME | A/P | PIN NAME | ORDER PIN | 03-JUN-77 DAY - G ORDER | 15-NOV-77 | 19148 NC LENGTH FLAG | PAGE 95 EXCEPTIONS | RUN NUMBER |
|---------------------|-----|-------------|--------------|-------------------------------|-----------|----------------------------|-----------------------|---------------|
| | | | | | REMARKS | | | |
| E32D2 | | E32D2 | 1-01 * | 5 | DXX | 1 | 0-1/8 | 931 |
| E32E2 | | E32E2 | 1-02 * | DXX | | | 0-1/8 | 931 |
| E32P1 | | E32P1 | 1-01 * | 1 | 1 | N | 0-4/8 | 932 |
| E32P1 | | E32S2 | 1-02 * | 1 | | | 0-4/8 | 932 |
| E32R2 | | E32R2 | 1-01 * | 1 | 1 | N | 1 | 933 |
| E32R2 | | E32V2 | 1-02 * | 1 | | | 1-0/8 | 933 |
| E32T2 | | E32T2 | 1-01 * | 1 | 1 | N | 2-6/8 | 934 |
| E32T2 | | F29H2 | 1-02 * | 1 | | | 2-6/8 | 934 |
| EN DATA TO BUS | L | A25N1 | 1-01 * | D17 | 1 | N | 8-7/8 | 935 |
| EN DATA TO BUS | L | D25R2 | 1-02 * | D19 | | | 8-7/8 | 935 |
| EN DATA TO BUS-A | L | A25S1 | 1-01 * | D17 | 1 | N | 11-7/8 | 936 |
| EN DATA TO BUS-A | L | D17R2 | 1-02 * | D19 | | | 11-7/8 | 936 |
| EN FCIN | H | C09P1 | 1-01 * | DXX | 1 | N | 0-1/8 | 937 |
| EN FCIN | H | C09R1 | 1-02 * | DXX | 2 | | 0-1/8 | 937 |
| EN FCIN | H | E19S1 | 1-03 * | DXX | | | 0-1/8 | 937 |
| EN FCIN | L | A24L2 | 1-01 * | DXX | 1 | N | 12-7/8 | 938 |
| EN FCIN | L | C09J2 | 1-02 * | DXX | 2 | | 12-7/8 | 938 |
| EN FCIN | L | E19P1 | 1-03 * | DXX | 1 | N | 9-4/8 | 938 |
| EN FCIN | L | E19R1 | 1-04 * | DXX | 2 | | 0-1/8 | 938 |
| EN FCIN | L | F20A1 | 1-05 * | DXX | 1 | N | 1-7/8 | 938 |
| ENABLE | H | E27J1 | 1-01 * | DXX | 2 | | 24-3/8 | 939 |
| ENABLE | H | D09M1 | 1-02 * | DXX | 1 | N | 11-5/8 | 939 |
| ENABLE | H | H09E1 | 1-03 * | DXX | 2 | | 7-4/8 | 939 |
| ENABLE | H | H10E1 | 1-04 * | DXX | 1 | N | 1 | 939 |
| ENABLE | H | H11L2 | 1-05 * | DXX | 2 | | 1-5/8 | 939 |
| ENABLE | H | H10L2 | 1-06 * | DXX | 1 | N | 1 | 939 |
| ENABLE | H | H09L2 | 1-07 * | DXX | 2 | | 0-4/8 | 939 |
| ENABLE | H | H09N1 | 1-08 * | DXX | 1 | N | 0-4/8 | 939 |
| ENABLE | H | H09V2 | 1-09 * | DXX | 2 | | 0-4/8 | 939 |
| ENABLE | H | H10V2 | 1-10 * | DXX | 1 | N | 1-3/8 | 939 |
| ENABLE | H | H11V2 | 1-11 * | DXX | 2 | | 1 | 939 |
| ENABLE | H | J11E1 | 1-12 * | DXX | 1 | N | 1-7/8 | 939 |
| ENABLE | H | J11L2 | 1-13 * | D27 | 2 | | 1-2/8 | 939 |
| ENABLE | H | J11V2 | 1-14 * | D27 | 1 | N | 1-4/8 | 939 |
| END CYCLE | H | C17R1 | 1-01 * | D11 | 1 | N | 32-2/8 | 940 |
| END CYCLE | H | D26P2 | 1-02 * | D18 | | | 7-5/8 | 940 |

15-NOV-77

PAGE 96

15148

NC LENGTH EXCEPTIONS

| DX118.U RUN NAME | WRAPD .V38(102)-1 A/P PIN ORDER PIN | 03-JUN-77 BAY - Q | DRAW OPT | RV RG Y X Z | REMARKS | NC LENGTH EXCEPTIONS FLAG | RUN NUMBER |
|---------------------|--|----------------------|----------|-------------|---------|------------------------------|---------------|
| ENDEN(1) | A30C1 | 1-01 * | D22 | 1 | | N 14-5/8 | 941 |
| ENDEN(1) | F30J2 | 1-02 * | D13 | 2 | | N 7-7/8 | 941 |
| ENDEN(1) | D23H1 | 1-03 * | D19 | 1 | | N 4 | 941 |
| ENDEN(1) | C23E1 | 1-04 * | D06 | 1 | | 26-4/8 | 941 |
| ERRSTA | D02B2 | 1-01 * | S DXX | 2 | | N 5-3/8 | 942 |
| ERRSTA | C00K3 | 1-02 * | DXX | 1 | | N 11-3/8 | 942 |
| ERRSTA | F20H1 | 1-03 * | DXX | 2 | | N 0-5/8 | 942 |
| ERRSTA | F20L1 | 1-04 * | DXX | 1 | | N 0-1/8 | 942 |
| ERRSTA | F20M2 | 1-05 * | DXX | 2 | | N 0-5/8 | 942 |
| ERRSTA | F20R2 | 1-06 * | DXX | 1 | | 10-1/8 | 942 |
| ERRSTA | F20R2 | 1-06 * | DXX | 1 | | 10-1/8 | 942 |
| EBEND(1) | A29L1 | 1-01 * | D22 | 2 | | N 12-5/8 | 943 |
| EBEND(1) | B09E1 | 1-02 * | D10 | 1 | | N 10-5/8 | 943 |
| EBEND(1) | D10E2 | 1-03 * | D19 | 2 | | N 3-5/8 | 943 |
| EBEND(1) | C16H1 | 1-04 * | D05 | 1 | | 26-7/8 | 943 |
| EVEN | B22R2 | 1-01 * | D26 | 1 | | N 2-5/8 | 944 |
| EVEN | B25F2 | 1-02 * | D26 | 1 | | 2-5/8 | 944 |
| EVEN | B22P2 | 1-01 * | D26 | 1 | | N 0-5/8 | 945 |
| EVEN | B22T2 | 1-02 * | D26 | 2 | | N 2-3/8 | 945 |
| EVEN | B25E2 | 1-03 * | D26 | 1 | | 3-0/8 | 945 |
| F03D2 | F03D2 | 1-01 * | S DXX | 1 | | N 0-1/8 | 946 |
| F03E2 | F03E2 | 1-02 * | DXX | 1 | | 0-1/8 | 946 |
| F03L2 | F03L2 | 1-01 * | DXX | 2 | | N 0-1/8 | 947 |
| F03M2 | F03M1 | 1-02 * | DXX | 1 | | N 0-1/8 | 947 |
| F03N2 | F03L1 | 1-03 * | DXX | 2 | | N 1-2/8 | 947 |
| F03O2 | F03L2 | 1-04 * | S DXX | 1 | | 1-4/8 | 947 |
| F03M2 | F02B1 | 1-01 * | DXX | 2 | | N 0-1/8 | 948 |
| F03M2 | F02C1 | 1-02 * | DXX | 1 | | N 0-1/8 | 948 |
| F03M2 | F02D1 | 1-03 * | DXX | 2 | | N 1-5/8 | 948 |
| F03M2 | F03M2 | 1-04 * | S DXX | 1 | | 1-7/8 | 948 |
| F03B2 | F03B2 | 1-01 * | S DXX | 1 | | N 9-7/8 | 949 |
| F03E2 | F22R1 | 1-02 * | DXX | 1 | | 9-7/8 | 949 |
| F04E2 | F04E2 | 1-01 * | DXX | 1 | | N 0-1/8 | 950 |
| F04O2 | F04E2 | 1-02 * | S DXX | 1 | | 0-1/8 | 950 |

15-NOV-77

PAGE 97

15148

NC LENGTH EXCEPTIONS

| DX118.U RUN NAME | WRAPD .V35(102)-1 A/P PIN ORDER PIN | 03-JUN-77 BAY - Q | DRAW OPT | RV RG Y X Z | REMARKS | NC LENGTH EXCEPTIONS FLAG | RUN NUMBER |
|---------------------|--|----------------------|----------|-------------|---------|------------------------------|---------------|
| F14F2 | C22H1 | 1-01 * | D05 | 1 | | N 11-7/8 | 951 |
| F14F2 | F14F2 | 1-02 * | S D05 | 1 | | 11-7/8 | 951 |
| F19C1 | F19C1 | 1-01 * | S DXX | 1 | | N 3-5/8 | 952 |
| F19C1 | H20E1 | 1-02 * | DXX | 1 | | 3-5/8 | 952 |
| F19F1 | F19F1 | 1-01 * | S DXX | 1 | | N 4-1/8 | 953 |
| F19F1 | H20N1 | 1-02 * | DXX | 1 | | 4-1/8 | 953 |
| F19F2 | C23L1 | 1-01 * | D05 | 2 | | N 1 | 954 |
| F19F2 | C23L1 | 1-02 * | D05 | 1 | | N 9-1/8 | 954 |
| F19F2 | F19F2 | 1-03 * | S D05 | 1 | | 10-1/8 | 954 |
| F19K1 | F19K1 | 1-01 * | S DXX | 1 | | N 3-3/8 | 955 |
| F19K1 | H21E1 | 1-02 * | DXX | 1 | | 3-3/8 | 955 |
| F19N1 | C20R1 | 1-01 * | D20 | 1 | | N 0-5/8 | 956 |
| F19N1 | F19N1 | 1-02 * | S D20 | 1 | | 0-5/8 | 956 |
| F19N2 | E15C1 | 1-01 * | D11 | 1 | | N 6-5/8 | 957 |
| F19N2 | F19N2 | 1-02 * | S D11 | 1 | | 6-5/8 | 957 |
| F19S1 | F25L2 | 1-01 * | D13 | 1 | | N 5-2/8 | 958 |
| F19S1 | F19S1 | 1-02 * | S D13 | 1 | | 5-2/8 | 958 |
| F19B2 | D26D2 | 1-01 * | D10 | 1 | | N 10-5/8 | 959 |
| F19B2 | F19B2 | 1-02 * | S D10 | 1 | | 10-5/8 | 959 |
| F19V2 | F19V2 | 1-01 * | F17A1 | 1 | | N 3-6/8 | 960 |
| F19V2 | F17A1 | 1-02 * | F17A1 | 1 | | 3-6/8 | 960 |
| F20C1 | C12C1 | 1-01 * | S DXX | 1 | | N 12-3/8 | 961 |
| F20C1 | F20C1 | 1-02 * | S DXX | 1 | | 12-3/8 | 961 |
| F20K1 | E10B1 | 1-01 * | S DXX | 1 | | N 0-1/8 | 962 |
| F20K1 | F20K1 | 1-02 * | S DXX | 1 | | 0-1/8 | 962 |
| F20N1 | E10J1 | 1-01 * | S D09 | 1 | | N 0-5/8 | 963 |
| F20N1 | F20N1 | 1-02 * | S D09 | 1 | | 0-5/8 | 963 |
| F20N2 | F19M2 | 1-01 * | S DXX | 1 | | N 1-1/8 | 964 |
| F20N2 | F20N2 | 1-02 * | S DXX | 1 | | 1-1/8 | 964 |

| DX118-U | WRAPD .V35(102)-1 | 03-JUN-77 | 15-NOV-77 | 15148 | PAGE 100 | RUN |
|----------|-------------------|------------------|-------------|----------------------|------------|--------|
| RUN NAME | A/P PIN ORDER PIN | BAY - Q DRAW OPT | RV RG Y X Z | NC LENGTH EXCEPTIONS | EXCEPTIONS | NUMBER |
| FASTSRV | H F21K2 | 1-01 * S D21 | 1 | N 7-3/8 | | 988 |
| FASTSRV | H J19P1 | 1-02 * D27 | | | | 988 |
| FASTSRV | H | | | 7-3/8 | | 988 |
| FASTSRV | L E04M1 | 1-01 * D24 | 2 | N 11-3/8 | | 989 |
| FASTSRV | L F21H2 | 1-02 * D21 | 1 | N 0-1/8 | | 989 |
| FASTSRV | L F21J2 | 1-03 * D21 | 2 | N 2-1/8 | | 989 |
| FASTSRV | L F20V2 | 1-04 * D21 | | 13-5/8 | | 989 |
| FASTSRV | L | | | | | 989 |
| FASTX | H B07D2 | 1-01 * S D25 | 1 | N 10 | | 990 |
| FASTX | H E29C1 | 1-02 * D13 | | 10-0/8 | | 990 |
| FASTX | H | | | | | 990 |
| FASTX | L B07C1 | 1-01 * D25 | 2 | N 5-3/8 | | 991 |
| FASTX | L C05V2 | 1-02 * D29 | 1 | N 13-7/8 | | 991 |
| FASTX | L E25D2 | 1-03 * D11 | | 19-2/8 | | 991 |
| FASTX | L | | | | | 991 |
| FCIN CLK | H C11B1 | 1-01 * D06 | 2 | N 1 | | 992 |
| FCIN CLK | H C12B1 | 1-02 * D06 | 1 | N 12-7/8 | | 992 |
| FCIN CLK | H F20F1 | 1-03 * DX | | 13-7/8 | | 992 |
| FCIN CLK | H | | | | | 992 |
| FCIN1(0) | H C03B1 | 1-01 * D24 | 2 | N 1-2/8 | | 993 |
| FCIN1(0) | H C03J1 | 1-02 * D24 | 1 | N 4-5/8 | | 993 |
| FCIN1(0) | H C11E1 | 1-03 * S D06 | | 5-7/8 | | 993 |
| FCIN1(0) | H | | | | | 993 |
| FCIN1(1) | H A30S1 | 1-01 * D22 | 1 | N 15-3/8 | | 994 |
| FCIN1(1) | H D11M1 | 1-02 * D19 | 2 | N 6-1/8 | | 994 |
| FCIN1(1) | H C03E1 | 1-03 * D24 | 1 | N 1-2/8 | | 994 |
| FCIN1(1) | H C03M1 | 1-04 * D24 | 2 | N 5-1/8 | | 994 |
| FCIN1(1) | H C11F1 | 1-05 * S D06 | | 27-7/8 | | 994 |
| FCIN1(1) | H | | | | | 994 |
| FCIN2(0) | H C03A1 | 1-01 * D24 | 1 | N 0-5/8 | | 995 |
| FCIN2(0) | H C03D1 | 1-02 * D24 | 2 | N 4-7/8 | | 995 |
| FCIN2(0) | H C12B1 | 1-03 * S D06 | | 5-4/8 | | 995 |
| FCIN2(0) | H | | | | | 995 |
| FCIN2(1) | H A30R1 | 1-01 * D22 | 1 | N 14-3/8 | | 996 |
| FCIN2(1) | H D12M1 | 1-02 * D19 | 2 | N 7-5/8 | | 996 |
| FCIN2(1) | H C03L1 | 1-03 * D24 | 1 | N 0-5/8 | | 996 |
| FCIN2(1) | H C03H1 | 1-04 * D24 | 2 | N 5-1/8 | | 996 |
| FCIN2(1) | H C12F1 | 1-05 * S D06 | | 27-6/8 | | 996 |
| FCIN2(1) | H | | | | | 996 |
| FTCU | L A09E2 | 1-01 * D24 | 1 | N 6-5/8 | | 997 |
| FTCU | L C07F2 | 1-02 * S D24 | | 6-5/8 | | 997 |
| FTCU | L | | | | | 997 |

| DX118-U | WRAPD .V35(102)-1 | 03-JUN-77 | 15-NOV-77 | 15148 | PAGE 101 | RUN |
|----------|-------------------|------------------|-------------|----------------------|------------|--------|
| RUN NAME | A/P PIN ORDER PIN | BAY - Q DRAW OPT | RV RG Y X Z | NC LENGTH EXCEPTIONS | EXCEPTIONS | NUMBER |
| FUNE00 | L C03C1 | 1-01 * S D24 | 2 | N 1-7/8 | | 998 |
| FUNE00 | L B01R1 | 1-02 * D11 | 1 | N 2-6/8 | | 998 |
| FUNE00 | L B05R2 | 1-03 * D24 | 2 | N 1-2/8 | | 998 |
| FUNE00 | L B05J2 | 1-04 * D24 | 1 | N 14-2/8 | | 998 |
| FUNE00 | L E24E2 | 1-05 * D24 | 2 | N 4-3/8 | | 998 |
| FUNE00 | L F19P1 | 1-06 * D13 | | 24-4/8 | | 998 |
| FUNE00 | L | | | | | 998 |
| FUNE01 | H B07J2 | 1-01 * S D24 | 2 | N 4-3/8 | | 999 |
| FUNE01 | H C02M2 | 1-02 * D24 | 1 | N 0-4/8 | | 999 |
| FUNE01 | H C02P2 | 1-03 * D24 | | 4-7/8 | | 999 |
| FUNE01 | H | | | | | 999 |
| FUNE01 | L B07H2 | 1-01 * D24 | 1 | N 3-6/8 | | 1000 |
| FUNE01 | L C03F1 | 1-02 * S D24 | | 3-6/8 | | 1000 |
| FUNE01 | L | | | | | 1000 |
| FUNE02 | H A07E1 | 1-01 * S D24 | 1 | N 0-1/8 | | 1001 |
| FUNE02 | H C02R2 | 1-02 * D24 | 2 | N 1-6/8 | | 1001 |
| FUNE02 | H C02U2 | 1-03 * D24 | | 9-7/8 | | 1001 |
| FUNE02 | H | | | | | 1001 |
| FUNE02 | L A07D1 | 1-01 * D24 | 1 | N 0-3/8 | | 1002 |
| FUNE02 | L C03K1 | 1-02 * S D24 | | 0-3/8 | | 1002 |
| FUNE02 | L | | | | | 1002 |
| FUNE03 | H B07L2 | 1-01 * S D24 | 1 | N 4-3/8 | | 1003 |
| FUNE03 | H B01E1 | 1-02 * D05 | 2 | N 4-1/8 | | 1003 |
| FUNE03 | H C02H1 | 1-03 * D24 | 1 | N 6-1/8 | | 1003 |
| FUNE03 | H E03K2 | 1-04 * D24 | | 14-5/8 | | 1003 |
| FUNE03 | H | | | | | 1003 |
| FUNE03 | L C03N1 | 1-01 * S D24 | 2 | N 2-3/8 | | 1004 |
| FUNE03 | L D02A1 | 1-02 * D24 | 1 | N 1-5/8 | | 1004 |
| FUNE03 | L C02R1 | 1-03 * D24 | 2 | N 4-7/8 | | 1004 |
| FUNE03 | L B07K2 | 1-04 * D24 | 1 | N 1-5/8 | | 1004 |
| FUNE03 | L B05D2 | 1-05 * D24 | 2 | N 1 | | 1004 |
| FUNE03 | L B06J1 | 1-06 * D25 | 1 | N 10-6/8 | | 1004 |
| FUNE03 | L F21E2 | 1-07 * DX | | 20-2/8 | | 1004 |
| FUNE03 | L | | | | | 1004 |
| GND 10 | F10C2 | 1-01 * D27 | 2 | N 2-1/8 | | 1005 |
| GND 10 | F10T1 | 1-02 * D27 | 1 | N 1-3/8 | | 1005 |
| GND 10 | H10C2 | 1-03 * D27 | 2 | N 1 | | 1005 |
| GND 10 | H10H1 | 1-04 * D27 | 1 | N 0-1/8 | | 1005 |
| GND 10 | H10J1 | 1-05 * D27 | 2 | N 0-1/8 | | 1005 |
| GND 10 | H10H2 | 1-06 * D27 | 1 | N 0-1/8 | | 1005 |
| GND 10 | H10J2 | 1-07 * D27 | 2 | N 1-2/8 | | 1005 |
| GND 10 | H10K2 | 1-08 * D27 | 1 | N 0-1/8 | | 1005 |
| GND 10 | H10B2 | 1-09 * D27 | 2 | N 0-1/8 | | 1005 |
| GND 10 | H10T1 | 1-10 * D27 | 1 | N 0-1/8 | | 1005 |
| GND 10 | H10B1 | 1-11 * D27 | 1 | N 0-1/8 | | 1005 |
| GND 10 | H10R1 | 1-12 * D27 | 2 | N 6-5/8 | | 1005 |
| GND 10 | | | | | | 1005 |

112

| DX118.U RUN NAME | WRAPD .V95(102)-1 A/P PIN NAME | ORDER ORDER PIN | 03-JUN-77 BAY - G | DRAW DRAW OPT | RV RG Y X Z | REMARKS | 15-NOV-77 | 15148 NC LENGTH FLAG | PAGE 102 EXCEPTIONS | RUN NUMBER |
|---------------------|-----------------------------------|--------------------|----------------------|------------------|-------------|---------|-----------|----------------------------|------------------------|---------------|
| GND 11 | E11H1 | 1-01 * | | | | | | N 1-3/8 | | 1006 |
| GND 11 | E11R1 | 1-02 * | | | | | | N 0-1/8 | | 1006 |
| GND 11 | E11B1 | 1-03 * | | | | | | N 0-4/8 | | 1006 |
| GND 11 | E11U1 | 1-04 * | | | | | | N 4-1/8 | | 1006 |
| GND 11 | H11C2 | 1-05 * | | | | | | N 1 | | 1006 |
| GND 11 | H11H2 | 1-06 * | | | | | | N 0-1/8 | | 1006 |
| GND 11 | H11J2 | 1-07 * | | | | | | N 1-2/8 | | 1006 |
| GND 11 | H11R2 | 1-08 * | | | | | | N 0-1/8 | | 1006 |
| GND 11 | H11B2 | 1-09 * | | | | | | N 0-1/8 | | 1006 |
| GND 11 | H11R1 | 1-10 * | | | | | | N 0-1/8 | | 1006 |
| GND 11 | H11B1 | 1-11 * | | | | | | N 0-1/8 | | 1006 |
| GND 11 | H11T1 | 1-12 * | | | | | | N 1-5/8 | | 1006 |
| GND 11 | J11C2 | 1-13 * | | | | | | N 1 | | 1006 |
| GND 11 | J11H1 | 1-14 * | | | | | | N 0-1/8 | | 1006 |
| GND 11 | J11J1 | 1-15 * | | | | | | N 0-1/8 | | 1006 |
| GND 11 | J11H2 | 1-16 * | | | | | | N 0-1/8 | | 1006 |
| GND 11 | J11J2 | 1-17 * | | | | | | N 1-2/8 | | 1006 |
| GND 11 | J11R2 | 1-18 * | | | | | | N 0-1/8 | | 1006 |
| GND 11 | J11B2 | 1-19 * | | | | | | N 0-1/8 | | 1006 |
| GND 11 | J11T1 | 1-20 * | | | | | | N 0-1/8 | | 1006 |
| GND 12 | A12C2 | 1-01 * | | | | | | 13-4/8 | | 1007 |
| GND 12 | A12T1 | 1-02 * | | | | | | N 2-1/8 | | 1007 |
| GND 12 | B12C2 | 1-03 * | | | | | | N 1-5/8 | | 1007 |
| GND 12 | B12T1 | 1-04 * | | | | | | N 2-1/8 | | 1007 |
| GND 12 | C12C2 | 1-05 * | | | | | | N 1-3/8 | | 1007 |
| GND 12 | C12T1 | 1-06 * | | | | | | N 2-1/8 | | 1007 |
| GND 12 | D12C2 | 1-07 * | | | | | | N 1-5/8 | | 1007 |
| GND 12 | D12T1 | 1-08 * | | | | | | N 2-1/8 | | 1007 |
| GND 12 | E12C2 | 1-09 * | | | | | | N 2-1/8 | | 1007 |
| GND 12 | E12T1 | 1-10 * | | | | | | N 1-5/8 | | 1007 |
| GND 12 | F12C2 | 1-11 * | | | | | | N 2-1/8 | | 1007 |
| GND 12 | F12T1 | 1-12 * | | | | | | N 1-1/8 | | 1007 |
| GND 12 | H12A1 | 1-13 * | | | | | | N 0-4/8 | | 1007 |
| GND 12 | H12C2 | 1-14 * | | | | | | N 0-4/8 | | 1007 |
| GND 12 | H12C1 | 1-15 * | | | | | | N 0-4/8 | | 1007 |
| GND 12 | H12F1 | 1-16 * | | | | | | N 0-5/8 | | 1007 |
| GND 12 | H12K1 | 1-17 * | | | | | | N 0-5/8 | | 1007 |
| GND 12 | H12P2 | 1-18 * | | | | | | N 0-5/8 | | 1007 |
| GND 12 | H12J2 | 1-19 * | | | | | | N 0-4/8 | | 1007 |
| GND 12 | H12L2 | 1-20 * | | | | | | N 0-4/8 | | 1007 |
| GND 12 | H12N1 | 1-21 * | | | | | | N 0-4/8 | | 1007 |
| GND 12 | H12P1 | 1-22 * | | | | | | N 0-4/8 | | 1007 |
| GND 12 | H12M2 | 1-23 * | | | | | | N 0-4/8 | | 1007 |
| GND 12 | H12R2 | 1-24 * | | | | | | N 0-4/8 | | 1007 |
| GND 12 | H12T1 | 1-25 * | | | | | | N 0-1/8 | | 1007 |
| GND 12 | H12U2 | 1-26 * | | | | | | N 1-3/8 | | 1007 |
| GND 12 | J12A1 | 1-27 * | | | | | | N 0-4/8 | | 1007 |
| GND 12 | J12C2 | 1-28 * | | | | | | N 0-4/8 | | 1007 |
| GND 12 | J12C1 | 1-29 * | | | | | | N 0-9/8 | | 1007 |
| GND 12 | J12F1 | 1-30 * | | | | | | N 0-4/8 | | 1007 |
| GND 12 | J12P2 | 1-31 * | | | | | | N 0-4/8 | | 1007 |
| GND 12 | J12J2 | 1-32 * | | | | | | N 0-4/8 | | 1007 |
| GND 12 | J12L2 | 1-33 * | | | | | | N 0-4/8 | | 1007 |
| GND 12 | J12N2 | 1-34 * | | | | | | N 0-4/8 | | 1007 |

| DX118.U RUN NAME | WRAPD .V95(102)-1 A/P PIN NAME | ORDER ORDER PIN | 03-JUN-77 BAY - G | DRAW DRAW OPT | RV RG Y X Z | REMARKS | 15-NOV-77 | 15148 NC LENGTH FLAG | PAGE 103 EXCEPTIONS | RUN NUMBER |
|---------------------|-----------------------------------|--------------------|----------------------|------------------|-------------|---------|-----------|----------------------------|------------------------|---------------|
| GND 13 | J12R2 | 1-35 * | | | | | | N 0-4/8 | | 1007 |
| GND 13 | J12T1 | 1-36 * | | | | | | N 0-1/8 | | 1007 |
| GND 13 | J12U2 | 1-37 * | | | | | | N 0-5/8 | | 1007 |
| GND 13 | J12R1 | 1-38 * | | | | | | N 0-4/8 | | 1007 |
| GND 13 | J12M1 | 1-39 * | | | | | | N 0-5/8 | | 1007 |
| GND 13 | J12K1 | 1-40 * | | | | | | N 0-5/8 | | 1007 |
| GND 13 | B13C2 | 1-01 * | | | | | | 35-7/8 | | 1007 |
| GND 13 | B13F2 | 1-02 * | | | | | | N 0-5/8 | | 1008 |
| GND 13 | B13M2 | 1-03 * | | | | | | N 1-1/8 | | 1008 |
| GND 13 | B13T1 | 1-04 * | | | | | | N 1-1/8 | | 1008 |
| GND 13 | C13K1 | 1-05 * | | | | | | N 2-1/8 | | 1008 |
| GND 13 | D13C2 | 1-06 * | | | | | | N 2-5/8 | | 1008 |
| GND 13 | D13T1 | 1-07 * | | | | | | N 2-1/8 | | 1008 |
| GND 14 | B14C2 | 1-01 * | | | | | | 9-6/8 | | 1008 |
| GND 14 | B14F2 | 1-02 * | | | | | | N 0-5/8 | | 1009 |
| GND 14 | B14M2 | 1-03 * | | | | | | N 1-1/8 | | 1009 |
| GND 14 | B14T1 | 1-04 * | | | | | | N 1-1/8 | | 1009 |
| GND 14 | D14C2 | 1-05 * | | | | | | N 4-1/8 | | 1009 |
| GND 14 | D14T1 | 1-06 * | | | | | | N 2-1/8 | | 1009 |
| GND 14 | H14A1 | 1-07 * | | | | | | N 6-3/8 | | 1009 |
| GND 14 | H14C2 | 1-08 * | | | | | | N 0-4/8 | | 1009 |
| GND 14 | H14C1 | 1-09 * | | | | | | N 0-4/8 | | 1009 |
| GND 14 | H14F1 | 1-10 * | | | | | | N 0-5/8 | | 1009 |
| GND 14 | H14K1 | 1-11 * | | | | | | N 0-5/8 | | 1009 |
| GND 14 | H14F2 | 1-12 * | | | | | | N 0-4/8 | | 1009 |
| GND 14 | H14J2 | 1-13 * | | | | | | N 0-4/8 | | 1009 |
| GND 14 | H14L2 | 1-14 * | | | | | | N 0-4/8 | | 1009 |
| GND 14 | H14N1 | 1-15 * | | | | | | N 0-4/8 | | 1009 |
| GND 14 | H14R1 | 1-16 * | | | | | | N 0-4/8 | | 1009 |
| GND 14 | H14N2 | 1-17 * | | | | | | N 0-4/8 | | 1009 |
| GND 14 | H14R2 | 1-18 * | | | | | | N 0-4/8 | | 1009 |
| GND 14 | H14T1 | 1-19 * | | | | | | N 0-4/8 | | 1009 |
| GND 14 | H14U2 | 1-20 * | | | | | | N 0-1/8 | | 1009 |
| GND 14 | J14A1 | 1-21 * | | | | | | N 1-3/8 | | 1009 |
| GND 14 | J14C2 | 1-22 * | | | | | | N 0-4/8 | | 1009 |
| GND 14 | J14C1 | 1-23 * | | | | | | N 0-4/8 | | 1009 |
| GND 14 | J14F1 | 1-24 * | | | | | | N 0-5/8 | | 1009 |
| GND 14 | J14P2 | 1-25 * | | | | | | N 0-4/8 | | 1009 |
| GND 14 | J14J2 | 1-26 * | | | | | | N 0-4/8 | | 1009 |
| GND 14 | J14L2 | 1-27 * | | | | | | N 0-4/8 | | 1009 |
| GND 14 | J14N2 | 1-28 * | | | | | | N 0-4/8 | | 1009 |
| GND 14 | J14R2 | 1-29 * | | | | | | N 0-4/8 | | 1009 |
| GND 14 | J14T1 | 1-30 * | | | | | | N 0-4/8 | | 1009 |
| GND 14 | J14U2 | 1-31 * | | | | | | N 0-1/8 | | 1009 |
| GND 14 | J14R1 | 1-32 * | | | | | | N 0-5/8 | | 1009 |
| GND 14 | J14N1 | 1-33 * | | | | | | N 0-4/8 | | 1009 |
| GND 14 | J14K1 | 1-34 * | | | | | | N 0-5/8 | | 1009 |

| DX118.U RUN NAME | A/P PIN NAME | WRAPP .V35(102)-1 ORDER PIN | BAY - Q ORDER | DRAW OPT | RV RG Y X Z | REMARKS | 15-NOV-77 | 15148 NC LENGTH FLAG | PAGE 106 EXCEPTIONS | RUN NUMBER |
|---------------------|-----------------|--------------------------------|------------------|-------------|----------------|---------|-----------|----------------------------|------------------------|---------------|
| GND 19 | D19M1 | 1-01 * | D19 | 1 | | | | N 1 | | 1013 |
| GND 19 | D19T1 | 1-02 * | D19 | 2 | | | | N 5-6/8 | | 1013 |
| GND 19 | F19T1 | 1-03 * | D27 | 1 | | | | N 1-3/8 | | 1013 |
| GND 19 | H19C2 | 1-04 * | D27 | 2 | | | | N 1 | | 1013 |
| GND 19 | H19M1 | 1-05 * | D27 | 1 | | | | N 0-1/8 | | 1013 |
| GND 19 | H19J1 | 1-06 * | D27 | 2 | | | | N 0-1/8 | | 1013 |
| GND 19 | H19H2 | 1-07 * | D27 | 2 | | | | N 0-1/8 | | 1013 |
| GND 19 | H19J2 | 1-08 * | D27 | 1 | | | | N 1-2/8 | | 1013 |
| GND 19 | H19P2 | 1-09 * | D27 | 2 | | | | N 0-1/8 | | 1013 |
| GND 19 | H19B2 | 1-10 * | D27 | 1 | | | | N 0-1/8 | | 1013 |
| GND 19 | H19R1 | 1-11 * | D27 | 1 | | | | N 0-1/8 | | 1013 |
| GND 19 | H19T1 | 1-12 * | D27 | 2 | | | | N 0-1/8 | | 1013 |
| GND 19 | H19T1 | 1-13 * | D27 | 1 | | | | N 1-5/8 | | 1013 |
| GND 19 | J19C2 | 1-14 * | D27 | 2 | | | | N 1 | | 1013 |
| GND 19 | J19H1 | 1-15 * | D27 | 1 | | | | N 0-1/8 | | 1013 |
| GND 19 | J19J1 | 1-16 * | D27 | 2 | | | | N 0-1/8 | | 1013 |
| GND 19 | J19H2 | 1-17 * | D27 | 1 | | | | N 0-1/8 | | 1013 |
| GND 19 | J19J2 | 1-18 * | D27 | 2 | | | | N 1-2/8 | | 1013 |
| GND 19 | J19B2 | 1-19 * | D27 | 1 | | | | N 0-1/8 | | 1013 |
| GND 19 | J19T1 | 1-20 * | D27 | 2 | | | | N 0-1/8 | | 1013 |
| GND 19 | J19T1 | 1-21 * | D27 | 1 | | | | N 0-1/8 | | 1013 |
| GND 19 | J19B1 | 1-22 * | D27 | 2 | | | | N 0-1/8 | | 1013 |
| GND 19 | J19R1 | 1-23 * | D27 | 1 | | | | N 0-1/8 | | 1013 |
| GND 19 | J19R1 | 1-23 * | D27 | 2 | | | | N 0-1/8 | | 1013 |
| GND 20 | A20C2 | 1-01 * | D05 | 1 | | | | 16-6/8 | | 1014 |
| GND 20 | A20T1 | 1-02 * | D05 | 2 | | | | N 2-1/8 | | 1014 |
| GND 20 | B20C2 | 1-03 * | D05 | 1 | | | | N 1-5/8 | | 1014 |
| GND 20 | B20T1 | 1-04 * | D05 | 2 | | | | N 2-1/8 | | 1014 |
| GND 20 | C20C2 | 1-05 * | D05 | 2 | | | | N 1-3/8 | | 1014 |
| GND 20 | C20T1 | 1-06 * | D05 | 1 | | | | N 2-1/8 | | 1014 |
| GND 20 | D20C2 | 1-07 * | D05 | 2 | | | | N 1-5/8 | | 1014 |
| GND 20 | D20H1 | 1-08 * | D27 | 2 | | | | N 1-1/8 | | 1014 |
| GND 20 | D20T1 | 1-09 * | D05 | 1 | | | | N 1-3/8 | | 1014 |
| GND 20 | E20C2 | 1-10 * | D05 | 2 | | | | N 2-1/8 | | 1014 |
| GND 20 | E20T1 | 1-11 * | D05 | 1 | | | | N 1-5/8 | | 1014 |
| GND 20 | F20C2 | 1-12 * | D05 | 2 | | | | N 2-1/8 | | 1014 |
| GND 20 | F20T1 | 1-13 * | D05 | 1 | | | | N 1-3/8 | | 1014 |
| GND 20 | H20C2 | 1-14 * | D27 | 2 | | | | N 2-1/8 | | 1014 |
| GND 20 | H20T1 | 1-15 * | D27 | 1 | | | | N 1-5/8 | | 1014 |
| GND 20 | J20C2 | 1-16 * | D27 | 2 | | | | N 1 | | 1014 |
| GND 20 | J20H1 | 1-17 * | D27 | 1 | | | | N 0-1/8 | | 1014 |
| GND 20 | J20J1 | 1-18 * | D27 | 2 | | | | N 0-1/8 | | 1014 |
| GND 20 | J20H2 | 1-19 * | D27 | 1 | | | | N 0-1/8 | | 1014 |
| GND 20 | J20J2 | 1-20 * | D27 | 2 | | | | N 1-2/8 | | 1014 |
| GND 20 | J20R2 | 1-21 * | D27 | 1 | | | | N 0-1/8 | | 1014 |
| GND 20 | J20B2 | 1-22 * | D27 | 2 | | | | N 0-1/8 | | 1014 |
| GND 20 | J20T1 | 1-23 * | D27 | 1 | | | | N 0-1/8 | | 1014 |
| GND 20 | J20B1 | 1-24 * | D27 | 2 | | | | N 0-1/8 | | 1014 |
| GND 20 | J20R1 | 1-25 * | D27 | 1 | | | | N 0-1/8 | | 1014 |
| GND 20 | J20R1 | 1-25 * | D27 | 2 | | | | 29-2/8 | | 1014 |

| DX118.U RUN NAME | A/P PIN NAME | WRAPP .V35(102)-1 ORDER PIN | BAY - Q ORDER | DRAW OPT | RV RG Y X Z | REMARKS | 15-NOV-77 | 15148 NC LENGTH FLAG | PAGE 107 EXCEPTIONS | RUN NUMBER |
|---------------------|-----------------|--------------------------------|------------------|-------------|----------------|---------|-----------|----------------------------|------------------------|---------------|
| GND 21 | H21C2 | 1-01 * | DXX | 1 | | | | N 3-2/8 | | 1015 |
| GND 21 | J21C2 | 1-02 * | DXX | 2 | | | | N 1 | | 1015 |
| GND 21 | J21H1 | 1-03 * | DXX | 1 | | | | N 0-1/8 | | 1015 |
| GND 21 | J21J1 | 1-04 * | DXX | 2 | | | | N 0-1/8 | | 1015 |
| GND 21 | J21J2 | 1-05 * | DXX | 1 | | | | N 0-1/8 | | 1015 |
| GND 21 | J21J2 | 1-06 * | DXX | 2 | | | | N 1-2/8 | | 1015 |
| GND 21 | J21R2 | 1-07 * | DXX | 1 | | | | N 0-1/8 | | 1015 |
| GND 21 | J21S2 | 1-08 * | DXX | 2 | | | | N 0-1/8 | | 1015 |
| GND 21 | J21T1 | 1-09 * | DXX | 1 | | | | N 0-1/8 | | 1015 |
| GND 21 | J21B1 | 1-10 * | DXX | 2 | | | | N 0-1/8 | | 1015 |
| GND 21 | J21R1 | 1-11 * | DXX | 1 | | | | N 0-1/8 | | 1015 |
| GND 21 | J21R1 | 1-11 * | DXX | 2 | | | | 6-3/8 | | 1015 |
| GND 22 | A22C2 | 1-01 * | DXX | 1 | | | | N 2-1/8 | | 1016 |
| GND 22 | A22T1 | 1-02 * | DXX | 2 | | | | N 1-5/8 | | 1016 |
| GND 22 | B22C2 | 1-03 * | DXX | 1 | | | | N 2-1/8 | | 1016 |
| GND 22 | B22T1 | 1-04 * | DXX | 2 | | | | N 1-3/8 | | 1016 |
| GND 22 | C22C2 | 1-05 * | DXX | 1 | | | | N 2-1/8 | | 1016 |
| GND 22 | C22T1 | 1-06 * | DXX | 2 | | | | N 1-5/8 | | 1016 |
| GND 22 | D22C2 | 1-07 * | DXX | 1 | | | | N 1-5/8 | | 1016 |
| GND 22 | D22H1 | 1-08 * | DXX | 2 | | | | N 1-1/8 | | 1016 |
| GND 22 | D22T1 | 1-09 * | DXX | 1 | | | | N 1-3/8 | | 1016 |
| GND 22 | E22C2 | 1-10 * | DXX | 2 | | | | N 2-1/8 | | 1016 |
| GND 22 | E22T1 | 1-11 * | DXX | 1 | | | | 17-2/8 | | 1016 |
| GND 22 | E22T1 | 1-11 * | DXX | 2 | | | | 17-2/8 | | 1016 |
| GND 23 | B23M2 | 1-01 * | D06 | 2 | | | | N 4-2/8 | | 1017 |
| GND 23 | A23C2 | 1-02 * | D14 | 1 | | | | N 0-1/8 | | 1017 |
| GND 23 | A23D2 | 1-03 * | D14 | 2 | | | | N 0-1/8 | | 1017 |
| GND 23 | A23E2 | 1-04 * | D14 | 1 | | | | N 0-5/8 | | 1017 |
| GND 23 | A23J1 | 1-05 * | D14 | 2 | | | | N 0-1/8 | | 1017 |
| GND 23 | A23K1 | 1-06 * | D14 | 1 | | | | N 0-4/8 | | 1017 |
| GND 23 | A23M2 | 1-07 * | D14 | 2 | | | | N 0-1/8 | | 1017 |
| GND 23 | A23N2 | 1-08 * | D14 | 1 | | | | N 0-5/8 | | 1017 |
| GND 23 | A23B1 | 1-09 * | D14 | 2 | | | | N 0-4/8 | | 1017 |
| GND 23 | A23U1 | 1-10 * | D14 | 1 | | | | N 1-5/8 | | 1017 |
| GND 23 | B23C2 | 1-11 * | D06 | 2 | | | | N 1-5/8 | | 1017 |
| GND 23 | B23W2 | 1-12 * | D06 | 1 | | | | N 0-4/8 | | 1017 |
| GND 23 | B23R1 | 1-13 * | D11 | 2 | | | | N 0-4/8 | | 1017 |
| GND 23 | B23T1 | 1-14 * | D11 | 1 | | | | N 6-5/8 | | 1017 |
| GND 23 | E23C1 | 1-15 * | D11 | 2 | | | | N 1-7/8 | | 1017 |
| GND 23 | E23R1 | 1-16 * | D11 | 1 | | | | N 0-4/8 | | 1017 |
| GND 23 | E23T1 | 1-17 * | D11 | 2 | | | | N 1-7/8 | | 1017 |
| GND 23 | F23U2 | 1-18 * | D27 | 1 | | | | N 3-3/8 | | 1017 |
| GND 23 | F23U2 | 1-18 * | D27 | 2 | | | | 23-5/8 | | 1017 |

| DX118.U RUN NAME | WRAPD .V35(102)-1 A/P PIN ORDER NAME PIN | 03-JUN-77 BAY - G DRAW OPT | RV RG Y X Z | REMARKS | 15-NOV-77 | 15:48 NC LENGTH FLAG | PAGE 109 EXCEPTIONS | RUN NUMBER |
|---------------------|--|-------------------------------|-------------|---------|-----------|----------------------------|------------------------|---------------|
| GND 24 | A24C2 | 1-01 * | | D05 | | N 2-1/8 | | 1018 |
| GND 24 | A24T1 | 1-02 * | | D05 | | N 1-5/8 | | 1018 |
| GND 24 | B24C2 | 1-03 * | | D05 | | N 2-1/8 | | 1018 |
| GND 24 | B24T1 | 1-04 * | | D05 | | N 1-3/8 | | 1018 |
| GND 24 | C24C2 | 1-05 * | | D05 | | N 2-1/8 | | 1018 |
| GND 24 | C24T1 | 1-06 * | | D05 | | N 1-5/8 | | 1018 |
| GND 24 | D24C2 | 1-07 * | | D27 | | N 2-1/8 | | 1018 |
| GND 24 | D24T1 | 1-08 * | | D05 | | N 1-3/8 | | 1018 |
| GND 24 | E24C2 | 1-09 * | | D27 | | N 2-1/8 | | 1018 |
| GND 24 | E24T1 | 1-10 * | | D05 | | N 1-5/8 | | 1018 |
| GND 24 | F24C2 | 1-11 * | | D05 | | N 2-1/8 | | 1018 |
| GND 24 | F24T1 | 1-12 * | | D05 | | N 1-3/8 | | 1018 |
| GND 24 | H24C2 | 1-13 * | | D05 | | N 2-1/8 | | 1018 |
| GND 24 | H24T1 | 1-14 * | | D05 | | N 1-5/8 | | 1018 |
| GND 24 | J24C2 | 1-15 * | | D05 | | N 2-1/8 | | 1018 |
| GND 24 | J24T1 | 1-16 * | | D05 | | N 2-1/8 | | 1018 |
| GND 24 | | 1 | | | | 27-5/8 | | 1018 |
| GND 26 | C26D2 | 1-01 * | | D18 | | N 0-1/8 | | 1019 |
| GND 26 | C26C2 | 1-02 * | | D18 | | N 1-1/8 | | 1019 |
| GND 26 | C26J2 | 1-03 * | | D18 | | N 1-3/8 | | 1019 |
| GND 26 | C26R1 | 1-04 * | | D18 | | N 0-4/8 | | 1019 |
| GND 26 | C26T1 | 1-05 * | | D18 | | N 1-5/8 | | 1019 |
| GND 26 | D26C2 | 1-06 * | | D18 | | N 0-4/8 | | 1019 |
| GND 26 | D26P1 | 1-07 * | | D18 | | N 1-6/8 | | 1019 |
| GND 26 | D26R1 | 1-08 * | | D18 | | N 0-1/8 | | 1019 |
| GND 26 | D26T1 | 1-09 * | | D18 | | N 0-4/8 | | 1019 |
| GND 26 | F26C2 | 1-10 * | | D27 | | N 4-1/8 | | 1019 |
| GND 26 | | 1-11 * | | D27 | | 11-6/8 | | 1019 |
| GND 26 | | 1 | | | | | | 1019 |
| GND 28 | A28C2 | 1-01 * | | D05 | | N 2-1/8 | | 1020 |
| GND 28 | A28T1 | 1-02 * | | D05 | | N 1-5/8 | | 1020 |
| GND 28 | B28C2 | 1-03 * | | D05 | | N 2-1/8 | | 1020 |
| GND 28 | B28T1 | 1-04 * | | D05 | | N 1-3/8 | | 1020 |
| GND 28 | C28C2 | 1-05 * | | D05 | | N 2-1/8 | | 1020 |
| GND 28 | C28T1 | 1-06 * | | D05 | | N 1-5/8 | | 1020 |
| GND 28 | D28C2 | 1-07 * | | D05 | | N 2-1/8 | | 1020 |
| GND 28 | D28T1 | 1-08 * | | D05 | | N 1-3/8 | | 1020 |
| GND 28 | E28C2 | 1-09 * | | D13 | | N 1-5/8 | | 1020 |
| GND 28 | E28N2 | 1-10 * | | D13 | | N 1 | | 1020 |
| GND 28 | E28T1 | 1-11 * | | D13 | | N 1-5/8 | | 1020 |
| GND 28 | F28C2 | 1-12 * | | D13 | | N 2-1/8 | | 1020 |
| GND 28 | F28T1 | 1-13 * | | D13 | | N 1-3/8 | | 1020 |
| GND 28 | H28C2 | 1-14 * | | D13 | | N 2-1/8 | | 1020 |
| GND 28 | H28T1 | 1-15 * | | D13 | | N 1-5/8 | | 1020 |
| GND 28 | J28C2 | 1-16 * | | D13 | | N 2-1/8 | | 1020 |
| GND 28 | J28T1 | 1-17 * | | D13 | | N 2-1/8 | | 1020 |
| GND 28 | | 1 | | | | 20-1/8 | | 1020 |
| GND 29 | E29C2 | 1-01 * | | D13 | | N 1 | | 1021 |
| GND 29 | E29H2 | 1-02 * | | D13 | | N 1-3/8 | | 1021 |
| GND 29 | E29R1 | 1-03 * | | D13 | | N 0-4/8 | | 1021 |
| GND 29 | E29T1 | 1-04 * | | D13 | | N | | 1021 |
| GND 29 | | 1 | | | | 2-7/8 | | 1021 |

| DX118.U RUN NAME | WRAPD .V35(102)-1 A/P PIN ORDER NAME PIN | 03-JUN-77 BAY - G DRAW OPT | RV RG Y X Z | REMARKS | 15-NOV-77 | 15:48 NC LENGTH FLAG | PAGE 109 EXCEPTIONS | RUN NUMBER |
|---------------------|--|-------------------------------|-------------|---------|-----------|----------------------------|------------------------|---------------|
| GND 3 | D03C2 | 1-01 * | | D07 | | N 1 | | 1022 |
| GND 3 | D03H1 | 1-02 * | | D07 | | N 0-4/8 | | 1022 |
| GND 3 | D03K2 | 1-03 * | | D07 | | N 1-3/8 | | 1022 |
| GND 3 | D03T2 | 1-04 * | | D07 | | N 0-1/8 | | 1022 |
| GND 3 | D03S2 | 1-05 * | | D07 | | N 0-1/8 | | 1022 |
| GND 3 | D03T1 | 1-06 * | | D07 | | N 0-1/8 | | 1022 |
| GND 3 | D03U1 | 1-07 * | | D07 | | N 0-1/8 | | 1022 |
| GND 3 | | 1 | | | | 3-2/8 | | 1022 |
| GND 30 | B30T1 | 1-01 * | | D17 | | N 1-1/8 | | 1023 |
| GND 30 | C30A1 | 1-02 * | | D17 | | N 0-4/8 | | 1023 |
| GND 30 | C30C2 | 1-03 * | | D17 | | N 0-5/8 | | 1023 |
| GND 30 | C30F1 | 1-04 * | | D17 | | N 0-1/8 | | 1023 |
| GND 30 | C30H1 | 1-05 * | | D17 | | N 1-5/8 | | 1023 |
| GND 30 | C30T1 | 1-06 * | | D17 | | N 0-1/8 | | 1023 |
| GND 30 | C30U2 | 1-07 * | | D17 | | N 0-1/8 | | 1023 |
| GND 30 | F30V2 | 1-08 * | | D17 | | N 6-5/8 | | 1023 |
| GND 30 | F30C2 | 1-09 * | | D13 | | N 0-4/8 | | 1023 |
| GND 30 | F30E1 | 1-10 * | | D13 | | N | | 1023 |
| GND 30 | | 1 | | | | 11-3/8 | | 1023 |
| GND 31 | B31J2 | 1-01 * | | D20 | | N 2-2/8 | | 1024 |
| GND 31 | C31B2 | 1-02 * | | D28 | | N 0-1/8 | | 1024 |
| GND 31 | C31C2 | 1-03 * | | D28 | | N 1-5/8 | | 1024 |
| GND 31 | C31N1 | 1-04 * | | D28 | | N 0-1/8 | | 1024 |
| GND 31 | C31P1 | 1-05 * | | D28 | | N 0-1/8 | | 1024 |
| GND 31 | C31R1 | 1-06 * | | D28 | | N 0-1/8 | | 1024 |
| GND 31 | C31S1 | 1-07 * | | D28 | | N 0-1/8 | | 1024 |
| GND 31 | C31T1 | 1-08 * | | D28 | | N 0-1/8 | | 1024 |
| GND 31 | C31V2 | 1-09 * | | D28 | | N 1-2/8 | | 1024 |
| GND 31 | D31B2 | 1-10 * | | D28 | | N 0-1/8 | | 1024 |
| GND 31 | D31C2 | 1-11 * | | D28 | | N 0-1/8 | | 1024 |
| GND 31 | D31D1 | 1-12 * | | D28 | | N 0-1/8 | | 1024 |
| GND 31 | D31E1 | 1-13 * | | D28 | | N 1-7/8 | | 1024 |
| GND 31 | D31T1 | 1-14 * | | D28 | | N 0-4/8 | | 1024 |
| GND 31 | D31V2 | 1-15 * | | D28 | | N 4 | | 1024 |
| GND 31 | F31D2 | 1-16 * | | D13 | | N 0-1/8 | | 1024 |
| GND 31 | F31C2 | 1-17 * | | D13 | | N 0-4/8 | | 1024 |
| GND 31 | F31E1 | 1-18 * | | D13 | | N 0-5/8 | | 1024 |
| GND 31 | F31J2 | 1-19 * | | D13 | | N 1 | | 1024 |
| GND 31 | F31V2 | 1-20 * | | D13 | | N 0-5/8 | | 1024 |
| GND 31 | F31P1 | 1-21 * | | D13 | | N 0-5/8 | | 1024 |
| GND 31 | F31T2 | 1-22 * | | D13 | | N 0-4/8 | | 1024 |
| GND 31 | F31T1 | 1-23 * | | D13 | | N | | 1024 |
| GND 31 | | 1 | | | | 17-0/8 | | 1024 |

| DX118.U RUN NAME | WRAPD .V35(102)-1 A/P PIN ORDER NAME | 03-JUN-77 BAY - Q ORDER | 15-NOV-77 | REMARKS | NC LENGTH FLAG | PAGE 112 EXCEPTIONS | RUN NUMBER |
|---------------------|--|-------------------------------|-----------|---------|-------------------|------------------------|---------------|
| GND 8 | A08C2 | 1-01 * | | D05 | N 2-1/8 | | 1030 |
| GND 8 | A08T1 | 1-02 * | | D05 | N 1-5/8 | | 1030 |
| GND 8 | B08C2 | 1-03 * | | D05 | N 2-1/8 | | 1030 |
| GND 8 | E08T1 | 1-04 * | | D05 | N 1-3/8 | | 1030 |
| GND 8 | C08C2 | 1-05 * | | D05 | N 2-1/8 | | 1030 |
| GND 8 | C08T1 | 1-06 * | | D05 | N 1-5/8 | | 1030 |
| GND 8 | D08C2 | 1-07 * | | D07 | N 2-1/8 | | 1030 |
| GND 8 | D08B1 | 1-08 * | | D07 | N 0-1/8 | | 1030 |
| GND 8 | D08T1 | 1-09 * | | D05 | N 1-3/8 | | 1030 |
| GND 8 | E08C2 | 1-10 * | | D05 | N 2-1/8 | | 1030 |
| GND 8 | E08T1 | 1-11 * | | D05 | N 1-5/8 | | 1030 |
| GND 8 | F08C2 | 1-12 * | | D05 | N 2-1/8 | | 1030 |
| GND 8 | F08T1 | 1-13 * | | D05 | N 1-1/8 | | 1030 |
| GND 8 | H08A1 | 1-14 * | | DXX | N 0-4/8 | | 1030 |
| GND 8 | H08C2 | 1-15 * | | DXX | N 0-4/8 | | 1030 |
| GND 8 | H08C1 | 1-16 * | | DXX | N 0-5/8 | | 1030 |
| GND 8 | H08F1 | 1-17 * | | DXX | N 0-5/8 | | 1030 |
| GND 8 | H08F1 | 1-18 * | | DXX | N 0-5/8 | | 1030 |
| GND 8 | H08F2 | 1-19 * | | DXX | N 0-4/8 | | 1030 |
| GND 8 | H08J2 | 1-20 * | | DXX | N 0-4/8 | | 1030 |
| GND 8 | H08L2 | 1-21 * | | DXX | N 0-4/8 | | 1030 |
| GND 8 | H08N1 | 1-22 * | | DXX | N 0-4/8 | | 1030 |
| GND 8 | H08R1 | 1-23 * | | DXX | N 0-4/8 | | 1030 |
| GND 8 | H08N2 | 1-24 * | | DXX | N 0-4/8 | | 1030 |
| GND 8 | H08R2 | 1-25 * | | DXX | N 0-1/8 | | 1030 |
| GND 8 | H08T1 | 1-26 * | | DXX | N 0-4/8 | | 1030 |
| GND 8 | H08U2 | 1-27 * | | DXX | N 1-3/8 | | 1030 |
| GND 8 | J08A1 | 1-28 * | | DXX | N 0-4/8 | | 1030 |
| GND 8 | J08C2 | 1-29 * | | DXX | N 0-4/8 | | 1030 |
| GND 8 | J08C1 | 1-30 * | | DXX | N 0-4/8 | | 1030 |
| GND 8 | J08F1 | 1-31 * | | DXX | N 0-4/8 | | 1030 |
| GND 8 | J08F2 | 1-32 * | | DXX | N 0-4/8 | | 1030 |
| GND 8 | J08J2 | 1-33 * | | DXX | N 0-4/8 | | 1030 |
| GND 8 | J08L2 | 1-34 * | | DXX | N 0-4/8 | | 1030 |
| GND 8 | J08N2 | 1-35 * | | DXX | N 0-4/8 | | 1030 |
| GND 8 | J08R2 | 1-36 * | | DXX | N 0-4/8 | | 1030 |
| GND 8 | J08T1 | 1-37 * | | DXX | N 0-4/8 | | 1030 |
| GND 8 | J08U2 | 1-38 * | | DXX | N 0-1/8 | | 1030 |
| GND 8 | J08R1 | 1-39 * | | DXX | N 0-5/8 | | 1030 |
| GND 8 | J08N1 | 1-40 * | | DXX | N 0-4/8 | | 1030 |
| GND 8 | J08K1 | 1-41 * | | DXX | N 0-5/8 | | 1030 |
| GND 8 | | | | DXX | 36-0/8 | | 1030 |

| DX118.U RUN NAME | WRAPD .V35(102)-1 A/P PIN ORDER NAME | 03-JUN-77 BAY - Q ORDER | 15-NOV-77 | REMARKS | NC LENGTH FLAG | PAGE 113 EXCEPTIONS | RUN NUMBER |
|---------------------|--|-------------------------------|-----------|---------|-------------------|------------------------|---------------|
| GND 9 | C09A1 | 1-01 * | | D06 | N 0-1/8 | | 1031 |
| GND 9 | C09B1 | 1-02 * | | D06 | N 10-2/8 | | 1031 |
| GND 9 | F09T1 | 1-03 * | | D27 | N 1-3/8 | | 1031 |
| GND 9 | H09C2 | 1-04 * | | D27 | N 1 | | 1031 |
| GND 9 | H09H1 | 1-05 * | | D27 | N 0-1/8 | | 1031 |
| GND 9 | H09J1 | 1-06 * | | D27 | N 0-1/8 | | 1031 |
| GND 9 | H09H2 | 1-07 * | | D27 | N 0-1/8 | | 1031 |
| GND 9 | H09J2 | 1-08 * | | D27 | N 1-2/8 | | 1031 |
| GND 9 | H09R2 | 1-09 * | | D27 | N 0-1/8 | | 1031 |
| GND 9 | H09S2 | 1-10 * | | D27 | N 0-1/8 | | 1031 |
| GND 9 | H09T1 | 1-11 * | | D27 | N 0-1/8 | | 1031 |
| GND 9 | H09S1 | 1-12 * | | D27 | N 0-1/8 | | 1031 |
| GND 9 | H09R1 | 1-13 * | | D27 | N 0-1/8 | | 1031 |
| GO(1) | A30T1 | 1-01 * | | D22 | 14-7/8 | | 1031 |
| GO(1) | E25M2 | 1-02 * | | D13 | N 12-5/8 | | 1032 |
| GO(1) | D10M1 | 1-03 * | | D19 | N 10-5/8 | | 1032 |
| GO(1) | B10P2 | 1-04 * | | DXX | N 5-5/8 | | 1032 |
| GO(1) | C05E2 | 1-05 * | | D24 | N 4-3/8 | | 1032 |
| GO(1) | C10E1 | 1-06 * | S | D06 | N 2-6/8 | | 1032 |
| HLD OUT | H12P1 | 1-01 * | | DXX | 36-0/8 | | 1032 |
| HLD OUT | H14P1 | 1-02 * | | DXX | N 1-4/8 | | 1033 |
| HLD OUT | J13L2 | 1-03 * | | DXX | N 2-7/8 | | 1033 |
| HLD | C24F2 | 1-01 * | H | D12 | 4-3/8 | | 1033 |
| HLD | E26P1 | 1-02 * | H | D12 | 7-1/8 | | 1034 |
| HLD | E16D1 | 1-03 * | | D12 | N 6-3/8 | | 1034 |
| HLD | J13F2 | 1-04 * | | DXX | N 9-7/8 | | 1034 |
| HLD | A31D1 | 1-01 * | | D22 | 23-3/8 | | 1034 |
| HLD | D24S1 | 1-02 * | | D19 | N 13-3/8 | | 1035 |
| HLD | C24J2 | 1-03 * | S | D12 | N 4-3/8 | | 1035 |
| IBMRST | B23F2 | 1-01 * | | D24 | 17-6/8 | | 1035 |
| IBMRST | E27P2 | 1-02 * | | D05 | N 10-7/8 | | 1036 |
| IBMRST | E14L2 | 1-03 * | | D25 | N 7-1/8 | | 1036 |
| IBMRST | C02B1 | 1-04 * | | D24 | N 9-2/8 | | 1036 |
| IBMRST | E03E2 | 1-05 * | | DXX | N 6-5/8 | | 1036 |
| IBMRST | E03F2 | 1-06 * | | DXX | N 0-1/8 | | 1036 |
| IBMRST | E06P2 | 1-07 * | | D24 | N 2-3/8 | | 1036 |
| IBMRST | E07V1 | 1-08 * | S | D24 | N 1-2/8 | | 1036 |
| IBMRST | A04J1 | 1-01 * | | DXX | 37-5/8 | | 1036 |
| IBMRST | B04M2 | 1-02 * | | DXX | N 3-5/8 | | 1037 |
| IBMRST | C08K1 | 1-03 * | | D24 | N 3-5/8 | | 1037 |
| IBMRST | F20L2 | 1-04 * | | DXX | N 13-2/8 | | 1037 |
| IBMRST | E06R2 | 1-05 * | S | D24 | N 9-5/8 | | 1037 |
| IBMRST | | | | | 30-1/8 | | 1037 |

| DX118-U RUN NAME | WRAPD .V35(102)-1 A/P PIN ORDER NAME | 03-JUN-77 BAY - Q ORDER | 15-NOV-77 RV RG Y X Z | REMARKS | 15148 NC LENGTH EXCEPTIONS FLAG | PAGE 116 EXCEPTIONS | RUN NUMBER |
|---------------------|--|-------------------------------|--------------------------|---------|---------------------------------------|------------------------|---------------|
| I85 | L E03J1 | 1-01 * 8 | D24 | 1 | N 11-3/8 | | 1055 |
| I86 | L A05M1 | 1-02 * 8 | D25 | 2 | N 6-7/8 | | 1055 |
| I87 | L C07R1 | 1-03 * 8 | D24 | 1 | N 8-1/8 | | 1055 |
| I88 | L E10R1 | 1-04 * 8 | D06 | 2 | N 9-5/8 | | 1055 |
| I89 | L E26D1 | 1-05 * 8 | D13 | 1 | 32-0/8 | | 1055 |
| I89REJ(0) | H A00T2 | 1-01 * 8 | DXX | 1 | N 7-3/8 | | 1056 |
| I89REJ(0) | H C13M1 | 1-02 * 8 | D05 | 1 | 7-3/8 | | 1056 |
| I89REJ(1) | H A20P1 | 1-01 * 8 | D22 | 2 | N 12-5/8 | | 1057 |
| I89REJ(1) | H B08J2 | 1-02 * 8 | D10 | 1 | N 8-7/8 | | 1057 |
| I89REJ(1) | H D13B2 | 1-03 * 8 | D19 | 2 | N 3-7/8 | | 1057 |
| I89REJ(1) | H C13M1 | 1-04 * 8 | D05 | 1 | 25-3/8 | | 1057 |
| LDADR1 24 | H A06C1 | 1-01 * 8 | D20 | 1 | N 8-4/8 | | 1058 |
| LDADR1 24 | H A24C1 | 1-02 * 8 | D20 | 2 | N 1-1/8 | | 1058 |
| LDADR1 24 | H A25D1 | 1-03 * 8 | D20 | 1 | N 18-1/8 | | 1058 |
| LDADR1 24 | H F17J1 | 1-04 * 8 | D14 | 2 | N 0-5/8 | | 1058 |
| LDADR1 24 | H F17M2 | 1-05 * 8 | D20 | 1 | 28-3/8 | | 1058 |
| LDADR1 24 | L A25F1 | 1-01 * 8 | D20 | 1 | N 8-5/8 | | 1059 |
| LDADR1 24 | L C21R1 | 1-02 * 8 | D20 | 1 | 8-5/8 | | 1059 |
| LOAD BUS DXMI | H E20P2 | 1-01 * 8 | D13 | 2 | N 1 | | 1060 |
| LOAD BUS DXMI | H E26U2 | 1-02 * 8 | D13 | 1 | N 1-3/8 | | 1060 |
| LOAD BUS DXMI | H E26T2 | 1-03 * 8 | D13 | 2 | N 1-2/8 | | 1060 |
| LOAD BUS DXMI | H E26M1 | 1-04 * 8 | D13 | 2 | N 0-4/8 | | 1060 |
| LOAD BUS DXMI | H E26M2 | 1-05 * 8 | D13 | 2 | N 1-5/8 | | 1060 |
| LOAD BUS DXMI | H E26B1 | 1-06 * 8 | D13 | 1 | N 0-5/8 | | 1060 |
| LOAD BUS DXMI | H E26E2 | 1-07 * 8 | D13 | 2 | N 0-9/8 | | 1060 |
| LOAD BUS DXMI | H E27B1 | 1-08 * 8 | D13 | 1 | N 0-5/8 | | 1060 |
| LOAD BUS DXMI | H E28C1 | 1-09 * 8 | D13 | 2 | N 0-4/8 | | 1060 |
| LOAD BUS DXMI | H E28E2 | 1-10 * 8 | D13 | 1 | N 0-4/8 | | 1060 |
| LOAD BUS DXMI | H E29H1 | 1-11 * 8 | D13 | 2 | N 1-1/8 | | 1060 |
| LOAD BUS DXMI | H E29B1 | 1-12 * 8 | D13 | 1 | 9-6/8 | | 1060 |
| LOAD DXBA | H D07D1 | 1-01 * 8 | D07 | 2 | N 1 | | 1061 |
| LOAD DXBA | H D08D1 | 1-02 * 8 | D07 | 1 | N 1-3/8 | | 1061 |
| LOAD DXBA | H D06M1 | 1-03 * 8 | D07 | 2 | N 1 | | 1061 |
| LOAD DXBA | H D07M1 | 1-04 * 8 | D07 | 1 | N 6-5/8 | | 1061 |
| LOAD DXBA | H F14D2 | 1-05 * 8 | D07 | 1 | 10-0/8 | | 1061 |
| LOAD DXBC | L A25N2 | 1-01 * 8 | D08 | 1 | N 2-3/8 | | 1062 |
| LOAD DXBC | L B26D1 | 1-02 * 8 | D08 | 2 | N 1 | | 1062 |
| LOAD DXBC | L B27D1 | 1-03 * 8 | D08 | 1 | N 1-3/8 | | 1062 |
| LOAD DXBC | L B27M1 | 1-04 * 8 | D08 | 2 | N 1 | | 1062 |
| LOAD DXBC | L B26M1 | 1-05 * 8 | D08 | 1 | 5-6/8 | | 1062 |

| DX118-U RUN NAME | WRAPD .V35(102)-1 A/P PIN ORDER NAME | 03-JUN-77 BAY - Q ORDER | 15-NOV-77 RV RG Y X Z | REMARKS | 15148 NC LENGTH EXCEPTIONS FLAG | PAGE 117 EXCEPTIONS | RUN NUMBER |
|---------------------|--|-------------------------------|--------------------------|---------|---------------------------------------|------------------------|---------------|
| LOCKO(0) | H C25V2 | 1-01 * 8 | D11 | 2 | N 7-7/8 | | 1063 |
| LOCKO(0) | H A24F1 | 1-02 * 8 | D15 | 1 | N 11-7/8 | | 1063 |
| LOCKO(0) | H A02C1 | 1-03 * 8 | D25 | 2 | N 7-5/8 | | 1063 |
| LOCKO(0) | H C05D2 | 1-04 * 8 | D24 | 1 | N 6-1/8 | | 1063 |
| LOCKO(0) | H E07C1 | 1-05 * 8 | D09 | 2 | N 6-1/8 | | 1063 |
| LOCKO(0) | H E15R2 | 1-06 * 8 | D06 | 1 | N 1 | | 1063 |
| LOCKO(0) | H E15V2 | 1-07 * 8 | D06 | 2 | N 3-5/8 | | 1063 |
| LOCKO(0) | H F19R1 | 1-08 * 8 | D13 | 1 | 44-2/8 | | 1063 |
| LOCKO(1) | H C25U2 | 1-01 * 8 | D11 | 2 | N 1-7/8 | | 1064 |
| LOCKO(1) | H D25F1 | 1-02 * 8 | D19 | 1 | N 12-1/8 | | 1064 |
| LOCKO(1) | H A32C1 | 1-03 * 8 | D22 | 2 | N 14-5/8 | | 1064 |
| LOCKO(1) | H A05K1 | 1-04 * 8 | D25 | 1 | N 11-3/8 | | 1064 |
| LOCKO(1) | H E03P1 | 1-05 * 8 | D24 | 1 | 40-0/8 | | 1064 |
| MARK IN 1 | H H07S1 | 1-01 * 8 | DXX | 1 | N 1 | | 1065 |
| MARK IN 1 | H H08S1 | 1-02 * 8 | DXX | 1 | 1-0/8 | | 1065 |
| MARK OUT 0 | H J07S1 | 1-01 * 8 | DXX | 1 | N 1 | | 1066 |
| MARK OUT 0 | H J08S1 | 1-02 * 8 | DXX | 1 | 1-0/8 | | 1066 |
| METER IN | H H12M2 | 1-01 * 8 | DXX | 1 | N 1-4/8 | | 1067 |
| METER IN | H H14M2 | 1-02 * 8 | DXX | 1 | 1-4/8 | | 1067 |
| METER OUT | H H12K2 | 1-01 * 8 | DXX | 1 | N 1-4/8 | | 1068 |
| METER OUT | H H14K2 | 1-02 * 8 | DXX | 1 | 1-4/8 | | 1068 |
| MNCLN(0) | H F19U2 | 1-01 * 8 | D20 | 1 | N 9-3/8 | | 1069 |
| MNCLN(0) | H C21V2 | 1-02 * 8 | D20 | 2 | N 4-6/8 | | 1069 |
| MNCLN(0) | H B15R2 | 1-03 * 8 | D20 | 1 | N 4-1/8 | | 1069 |
| MNCLN(0) | H C20B1 | 1-04 * 8 | D20 | 1 | 18-2/8 | | 1069 |
| MNCLN(1) | H A32A2 | 1-01 * 8 | D22 | 2 | N 4-2/8 | | 1070 |
| MNCLN(1) | H A25A1 | 1-02 * 8 | D20 | 1 | N 14-4/8 | | 1070 |
| MNCLN(1) | H D11U1 | 1-03 * 8 | D19 | 2 | N 7-1/8 | | 1070 |
| MNCLN(1) | H C21U2 | 1-04 * 8 | D20 | 1 | 25-7/8 | | 1070 |
| MNCLK(0) | H A25B1 | 1-01 * 8 | D20 | 2 | N 5-6/8 | | 1071 |
| MNCLK(0) | H B32L2 | 1-02 * 8 | D20 | 1 | N 9-7/8 | | 1071 |
| MNCLK(0) | H C20U2 | 1-03 * 8 | D20 | 1 | 15-5/8 | | 1071 |
| MNCLK(1) | H C20V2 | 1-01 * 8 | D20 | 2 | N 4-1/8 | | 1072 |
| MNCLK(1) | H B15U2 | 1-02 * 8 | D20 | 1 | N 7-1/8 | | 1072 |
| MNCLK(1) | H D10U1 | 1-03 * 8 | D19 | 2 | N 5-1/8 | | 1072 |
| MNCLK(1) | H E13P2 | 1-04 * 8 | D20 | 1 | 16-3/8 | | 1072 |

119

| DX118-U RUN NAME | CRAPP 0355(102)-1 A/P DRH ORDER PIN | 03-JUN-77 DAY - Q DRAW OPT | RV RG Y X Z | REMARKS | 15-NOV-77 | 15:48 NC LENGTH EXCEPTIONS FLAG | PAGE 120 | RUN NUMBER |
|---------------------|--|-------------------------------|-------------|---------|-----------|---------------------------------------|----------|---------------|
| NDDCT | L C232 | 1-01 * 8 D24 | 1 | | | N 9-5/8 | | 1096 |
| NDDCT | L E 2C1 | 1-02 * 8 D24 | | | | | | 1096 |
| NDDCT | L | 1 | | | | 9-5/8 | | 1096 |
| NPMSR | L C2601 | 1-01 * 8 D10 | 2 | | | N 2-5/8 | | 1097 |
| NPMSR | L C 3J3 | 1-02 * 8 D10 | 1 | | | N 0-4/8 | | 1097 |
| NPMSR | L D4011 | 1-03 * 8 D10 | 2 | | | N 7 | | 1097 |
| NPMSR | L F1721 | 1-04 * 8 D10 | | | | 10-1/8 | | 1097 |
| NPMSR | L | 1 | | | | | | 1097 |
| NPRLY | L T-502 | 1-01 * 8 DXK | 1 | | | H 10-7/8 | | 1098 |
| NPRLY | L F26D2 | 1-02 * 8 DXK | | | | 10-7/8 | | 1098 |
| NPRLY | L | 1 | | | | | | 1098 |
| NPRT(0) | H C222 | 1-01 * 8 D24 | 1 | | | N 9-3/8 | | 1099 |
| NPRT(0) | H C16V2 | 1-02 * 8 D11 | | | | 9-3/8 | | 1099 |
| NPRT(0) | H | 1 | | | | | | 1099 |
| NPRT(1) | H A22R1 | 1-01 * 8 D22 | 1 | | | N 10-3/8 | | 1100 |
| NPRT(1) | H D2C2 | 1-02 * 8 D10 | 2 | | | H 6-7/8 | | 1100 |
| NPRT(1) | H D1C.1 | 1-03 * 8 D10 | 1 | | | N 1-7/8 | | 1100 |
| NPRT(1) | H C1C02 | 1-04 * 8 D11 | | | | 10-1/8 | | 1100 |
| NPRT(1) | H | 1 | | | | | | 1100 |
| NPRT(0) | H F17F1 | 1-01 * 8 D10 | 1 | | | N 3 | | 1101 |
| NPRT(0) | H F22F1 | 1-02 * 8 D24 | | | | 3-0/0 | | 1101 |
| NPRT(0) | H | 1 | | | | | | 1101 |
| NPRT(1) | H A30V2 | 1-01 * 8 D22 | 1 | | | H 13-0/0 | | 1102 |
| NPRT(1) | H E23J2 | 1-02 * 8 D11 | 2 | | | N 9-0/8 | | 1102 |
| NPRT(1) | H F17E1 | 1-03 * 8 D24 | 1 | | | N 6-1/8 | | 1102 |
| NPRT(1) | H D18J1 | 1-04 * 8 D10 | | | | 25-3/8 | | 1102 |
| NPRT(1) | H | 1 | | | | | | 1102 |
| NPRT(0) | H A06L2 | 1-01 * 8 D25 | 2 | | | N 1 | | 1103 |
| NPRT(0) | H A0SE2 | 1-02 * 8 D25 | 1 | | | N 0-1/8 | | 1103 |
| NPRT(0) | H F03F1 | 1-03 * 8 D25 | 2 | | | N 0-5/8 | | 1103 |
| NPRT(0) | H A03K2 | 1-04 * 8 D25 | 1 | | | N 1-3/8 | | 1103 |
| NPRT(0) | H A06B1 | 1-05 * 8 D07 | 2 | | | N 3-7/8 | | 1103 |
| NPRT(0) | H B01P2 | 1-06 * 8 D11 | 1 | | | H 2-3/0 | | 1103 |
| NPRT(0) | H E04F2 | 1-07 * 8 D25 | 2 | | | N 10 | | 1103 |
| NPRT(0) | H F047 | 1-08 * 8 DXK | 1 | | | N 0-1/8 | | 1103 |
| NPRT(0) | H F0472 | 1-09 * 8 DXK | 2 | | | N 0-5/8 | | 1103 |
| NPRT(0) | H F 1J1 | 1-10 * 8 D11 | 1 | | | N 4-3/8 | | 1103 |
| NPRT(0) | H C16V2 | 1-11 * 8 D11 | | | | 32-4/8 | | 1103 |
| NPRT(0) | H | 1 | | | | | | 1103 |
| NPRT(1) | H A23P | 1-01 * 8 D22 | 1 | | | N 0-1/8 | | 1104 |
| NPRT(1) | H F03J | 1-02 * 8 D10 | 2 | | | N 0-7/0 | | 1104 |
| NPRT(1) | H | 1-03 * 8 DXK | 1 | | | H 0-2/3 | | 1104 |
| NPRT(1) | H | 1-04 * 8 D19 | 2 | | | H 0-4/3 | | 1104 |
| NPRT(1) | H | 1-05 * 8 D25 | 1 | | | H 2-5/3 | | 1104 |
| NPRT(1) | H | 1-06 * 8 D24 | 2 | | | H 2-0/0 | | 1104 |
| NPRT(1) | H | 1-07 * 8 D23 | 1 | | | H 7-0/0 | | 1104 |
| NPRT(1) | H | 1-08 * 8 D11 | | | | | | 1104 |
| NPRT(1) | H | 1-09 * 8 D11 | | | | | | 1104 |

| DX118-U RUN NAME | CRAPP 0355(102)-1 A/P DRH ORDER PIN | 03-JUN-77 DAY - Q DRAW OPT | RV RG Y X Z | REMARKS | 15-NOV-77 | 15:48 NC LENGTH EXCEPTIONS FLAG | PAGE 121 | RUN NUMBER |
|---------------------|--|-------------------------------|-------------|---------|-----------|---------------------------------------|----------|---------------|
| NPRTON(0) | H C17V2 | 1-01 * 8 D11 | 1 | | | N 4-6/8 | | 1105 |
| NPRTON(0) | H C 6V1 | 1-02 * 8 D10 | | | | 4-6/8 | | 1105 |
| NPRTON(0) | H | 1 | | | | | | 1105 |
| NPRTON(1) | H 1 2 | 1-01 * 8 D11 | 1 | | | N 7-3/8 | | 1106 |
| NPRTON(1) | H 2 2 | 1-02 * 8 D11 | | | | 7-3/8 | | 1106 |
| NPRTON(1) | H | 1 | | | | | | 1106 |
| NXK(1) | H F 1 2 | 1-01 * 8 D10 | 1 | | | N 21-3/8 | | 1107 |
| NXK(1) | H F 2 2 | 1-02 * 8 D22 | 2 | | | N 12-3/8 | | 1107 |
| NXK(1) | H F 3 2 | 1-03 * 8 D19 | 1 | | | N 10-3/8 | | 1107 |
| NXK(1) | H F 4 2 | 1-04 * 8 D10 | | | | 44-1/8 | | 1107 |
| NXK(1) | H | 1 | | | | | | 1107 |
| ODD(1) | H A30 2 | 1-01 * 8 D22 | 1 | | | N 10-3/8 | | 1108 |
| ODD(1) | H B15 1 | 1-02 * 8 DXK | 2 | | | N 6-7/8 | | 1108 |
| ODD(1) | H C 1A2 | 1-03 * 8 D11 | 1 | | | N 8-4/8 | | 1108 |
| ODD(1) | H C 0U2 | 1-04 * 8 D11 | | | | 23-6/0 | | 1108 |
| ODD(1) | H | 1 | | | | | | 1108 |
| OFFLINE | H F 7 H | 1-01 * 8 DXK | 1 | | | N 10-1/8 | | 1109 |
| OFFLINE | H F 8 H | 1-02 * 8 DXK | 2 | | | N 1-5/8 | | 1109 |
| OFFLINE | H F 9 H | 1-03 * 8 DXK | 1 | | | N 1-7/8 | | 1109 |
| OFFLINE | H F 0 H | 1-04 * 8 DXK | 2 | | | N 0-5/8 | | 1109 |
| OFFLINE | H F 1 H | 1-05 * 8 DXK | 1 | | | N 0-4/8 | | 1109 |
| OFFLINE | H F 2 H | 1-06 * 8 DXK | 2 | | | N 0-5/8 | | 1109 |
| OFFLINE | H F 3 H | 1-07 * 8 DXK | 1 | | | N 4-0/8 | | 1109 |
| OFFLINE | H F 4 H | 1-08 * 8 DXK | 2 | | | N 10-7/8 | | 1109 |
| OFFLINE | H F 5 H | 1-09 * 8 DXK | 1 | | | N 0-5/8 | | 1109 |
| OFFLINE | H F 6 H | 1-10 * 8 DXK | 2 | | | N 1-3/8 | | 1109 |
| OFFLINE | H F 7 H | 1-11 * 8 DXK | 1 | | | N 0-4/0 | | 1109 |
| OFFLINE | H F 8 H | 1-12 * 8 DXK | 2 | | | N 1-5/8 | | 1109 |
| OFFLINE | H F 9 H | 1-13 * 8 DXK | 1 | | | N 0-4/8 | | 1109 |
| OFFLINE | H F 0 H | 1-14 * 8 DXK | 2 | | | N 0-4/0 | | 1109 |
| OFFLINE | H F 1 H | 1-15 * 8 DXK | 1 | | | N 0-4/8 | | 1109 |
| OFFLINE | H F 2 H | 1-16 * 8 DXK | 2 | | | N 0-4/8 | | 1109 |
| OFFLINE | H F 3 H | 1-17 * 8 DXK | 1 | | | N 0-4/8 | | 1109 |
| OFFLINE | H F 4 H | 1-18 * 8 DXK | 2 | | | N 0-4/8 | | 1109 |
| OFFLINE | H F 5 H | 1-19 * 8 DXK | 1 | | | N 0-5/8 | | 1109 |
| OFFLINE | H F 6 H | 1-20 * 8 DXK | 2 | | | N 0-1/0 | | 1109 |
| OFFLINE | H F 7 H | 1-21 * 8 DXK | 1 | | | N 0-5/0 | | 1109 |
| OFFLINE | H F 8 H | 1-22 * 8 DXK | 2 | | | 41-3/8 | | 1109 |
| OFFLINE | H F 9 H | 1-23 * 8 DXK | 1 | | | | | 1109 |

122

| DX118.U RUN NAME | WRAPD .V35(102)-1 A/P PIN ORDER NAME | 03-JUN-77 BAY - Q ORDER | 15-NOV-77 | 15148 NC LENGTH FLAG | PAGE 122 EXCEPTIONS | RUN NUMBER |
|---------------------|---|----------------------------|-----------|----------------------------|------------------------|---------------|
| OFFRCVREN | H B30S1 | 1-01 * | | N 14-5/8 | | 1110 |
| OFFRCVREN | H F19A1 | 1-02 * | | N 0-5/8 | | 1110 |
| OFFRCVREN | H F19D1 | 1-03 * | | N 0-5/8 | | 1110 |
| OFFRCVREN | H F19H1 | 1-04 * | | N 3-5/8 | | 1110 |
| OFFRCVREN | H H20K1 | 1-05 * | | N 0-5/8 | | 1110 |
| OFFRCVREN | H H20J2 | 1-06 * | | N 0-1/8 | | 1110 |
| OFFRCVREN | H H21K1 | 1-07 * | | N 0-5/8 | | 1110 |
| OFFRCVREN | H H21J2 | 1-08 * | | N 0-1/8 | | 1110 |
| OFFRCVREN | H H22K1 | 1-09 * | | N 0-5/8 | | 1110 |
| OFFRCVREN | H H22J2 | 1-10 * | | N 1-3/8 | | 1110 |
| OFFRCVREN | H H2202 | 1-11 * | | N 0-4/8 | | 1110 |
| OFFRCVREN | H H22U1 | 1-12 * | | N 0-4/8 | | 1110 |
| OFFRCVREN | H H2162 | 1-13 * | | N 0-4/8 | | 1110 |
| OFFRCVREN | H H21U1 | 1-14 * | | N 0-4/8 | | 1110 |
| OFFRCVREN | H H2002 | 1-15 * | | N 0-4/8 | | 1110 |
| OFFRCVREN | H H20U1 | 1-16 * | | N 0-4/8 | | 1110 |
| ON | H A07D2 | 1-01 * 8 | | 25-4/8 | | 1111 |
| ON | H C12S1 | 1-02 * | | N 9-1/8 | | 1111 |
| ON | H E24D2 | 1-03 * | | N 10-5/8 | | 1111 |
| ON | H E29K2 | 1-04 * | | N 3-3/8 | | 1111 |
| ON | L A07C1 | 1-01 * | | 23-1/8 | | 1111 |
| ON | L B01U2 | 1-02 * | | N 7-5/8 | | 1112 |
| ON | L E14K1 | 1-03 * | | N 10 | | 1112 |
| ON | L E07F1 | 1-04 * | | N 4-1/8 | | 1112 |
| ON | L E07R2 | 1-05 * | | N 1-5/8 | | 1112 |
| ON | L E03V1 | 1-06 * 8 | | N 3-1/8 | | 1112 |
| ON | L D09L2 | 1-01 * | | 26-4/8 | | 1112 |
| ONL+REGOL | L F01P2 | 1-02 * | | N 7-3/8 | | 1113 |
| ONL+REGOL | L | 1 | | 7-3/8 | | 1113 |
| ONLINA (0) | H E00E1 | 1-01 * | | N 0-3/8 | | 1114 |
| ONLINA (0) | H C19F1 | 1-02 * | | N 10-1/8 | | 1114 |
| ONLINA (0) | H E32M2 | 1-03 * | | N 0-1/8 | | 1114 |
| ONLINA (0) | H E32N2 | 1-04 * | | N 0-1/8 | | 1114 |
| ONLINA (0) | H E32P2 | 1-05 * | | N 0-1/8 | | 1114 |
| ONLINA (0) | H F29J2 | 1-06 * | | N 3-6/8 | | 1114 |
| ONLINA (0) | H J13N1 | 1-07 * | | N 14-1/8 | | 1114 |
| ONLINA (1) | H C19E1 | 1-01 * 8 | | 36-5/8 | | 1114 |
| ONLINA (1) | H A30H1 | 1-02 * | | N 9-2/8 | | 1115 |
| ONLINA (1) | H D19M1 | 1-03 * | | N 14-3/8 | | 1115 |
| ONLINA (1) | H E24P1 | 1-04 * | | N 4-2/8 | | 1115 |
| ONLINA (1) | H | 1 | | 26-7/8 | | 1115 |
| ONLINA (0) | H B30E2 | 1-01 * | | N 1-6/8 | | 1116 |
| ONLINA (0) | H B30S2 | 1-02 * | | N 21-7/8 | | 1116 |
| ONLINA (0) | H E03U2 | 1-03 * | | N 7-6/8 | | 1116 |
| ONLINA (0) | H C12V2 | 1-04 * 8 | | 31-3/8 | | 1116 |

| DX118.U RUN NAME | WRAPD .V35(102)-1 A/P PIN ORDER NAME | 03-JUN-77 BAY - Q ORDER | 15-NOV-77 | 15148 NC LENGTH FLAG | PAGE 123 EXCEPTIONS | RUN NUMBER |
|---------------------|---|----------------------------|-----------|----------------------------|------------------------|---------------|
| ONLINA(1) | H A32T1 | 1-01 * | | N 19-3/8 | | 1117 |
| ONLINA(1) | H D09P2 | 1-02 * | | N 2-3/8 | | 1117 |
| ONLINA(1) | H D12F1 | 1-03 * | | N 1-7/8 | | 1117 |
| ONLINA(1) | H C12U2 | 1-04 * 8 | | 23-5/8 | | 1117 |
| ONLINE | H B30F2 | 1-01 * | | N 9-7/8 | | 1118 |
| ONLINE | H E20M2 | 1-02 * | | N 6-4/8 | | 1118 |
| ONLINE | H H20D1 | 1-03 * | | N 1 | | 1118 |
| ONLINE | H H21D1 | 1-04 * | | N 1 | | 1118 |
| ONLINE | H H21J1 | 1-05 * | | N 0-1/8 | | 1118 |
| ONLINE | H H21K2 | 1-06 * | | N 0-5/8 | | 1118 |
| ONLINE | H H22J1 | 1-07 * | | N 0-1/8 | | 1118 |
| ONLINE | H H22K2 | 1-08 * | | N 1-4/8 | | 1118 |
| ONLINE | H H22U2 | 1-09 * | | N 0-4/8 | | 1118 |
| ONLINE | H H22S1 | 1-10 * | | N 0-4/8 | | 1118 |
| ONLINE | H H21U2 | 1-11 * | | N 0-4/8 | | 1118 |
| ONLINE | H H21S1 | 1-12 * | | N 0-4/8 | | 1118 |
| ONLINE | H H20U2 | 1-13 * | | N 0-4/8 | | 1118 |
| ONLINE | H H20S1 | 1-14 * | | N 1 | | 1118 |
| ONLINE | H H20M1 | 1-15 * | | N 0-4/8 | | 1118 |
| ONLINE | H H20K2 | 1-16 * | | N 0-1/8 | | 1118 |
| ONLINE | H H20J1 | 1-17 * | | N 5-7/8 | | 1118 |
| ONLINE | H H10D1 | 1-18 * | | N 1 | | 1118 |
| ONLINE | H H09D1 | 1-19 * | | N 1-3/8 | | 1118 |
| ONLINE | H H10L1 | 1-20 * | | N 0-1/8 | | 1118 |
| ONLINE | H H10M1 | 1-21 * | | N 0-5/8 | | 1118 |
| ONLINE | H H09L1 | 1-22 * | | N 0-1/8 | | 1118 |
| ONLINE | H H09M1 | 1-23 * | | N 0-1/8 | | 1118 |
| ONLINE | H H09V1 | 1-24 * | | N 1-3/8 | | 1118 |
| ONLINE | H H10V1 | 1-25 * | | N 1 | | 1118 |
| ONLINE | H | 1 | | 36-3/8 | | 1118 |
| ONLINE EN SW | H D10H2 | 1-01 * | | N 16-2/8 | | 1119 |
| ONLINE EN SW | H F01E2 | 1-02 * | | N 1 | | 1119 |
| ONLINE EN SW | H F02E2 | 1-03 * | | 17-2/8 | | 1119 |
| ONLINE EN SW | H | 1 | | | | 1119 |
| ONLINE EN SW | L F01D2 | 1-01 * | | N 1 | | 1120 |
| ONLINE EN SW | L F02D2 | 1-02 * | | 1-0/8 | | 1120 |
| ONLINE EN SW | L | 1 | | | | 1120 |

124

| DX118.U RUN NAME | WRAPD .V35(102)-1 A/P PIN ORDER NAME | 03-JUN-77 BAY - Q ORDER PIN | 03-JUN-77 DPAW OPT | RV RC Y X Z | REMARKS | 15-NOV-77 | 15148 NC LENGTH EXCEPTIONS FLAG | PAGE 126 | RUN NUMBER |
|---------------------|---|--------------------------------|-----------------------|-------------|---------|-----------|---------------------------------------|----------|---------------|
| PARER(1) | A29A1 | 1-01 * | D22 | | | | N 11-1/8 | | 1133 |
| PARER(1) | B14J2 | 1-02 * | D10 | 2 | | | N 9-3/8 | | 1133 |
| PARER(1) | D28E2 | 1-03 * | D19 | | | | N 3-5/8 | | 1133 |
| PARER(1) | C28N1 | 1-04 * S | D05 | 2 | | | 24-1/8 | | 1133 |
| PARI | A31I2 | 1-01 * | D22 | 2 | | | N 5-2/8 | | 1134 |
| PARI | B25D2 | 1-02 * | D26 | 1 | | | N 21-1/8 | | 1134 |
| PARI | H11K2 | 1-03 * | DXX | | | | 26-3/8 | | 1134 |
| PARI | B15P2 | 1-01 * | D26 | 2 | | | N 6-3/8 | | 1135 |
| PARI | B25C1 | 1-02 * | D26 | 1 | | | N 15-5/8 | | 1135 |
| PARI | H22L1 | 1-03 * | DXX | | | | 22-0/8 | | 1135 |
| PARO | A31J1 | 1-01 * | D22 | 2 | | | N 7-1/8 | | 1136 |
| PARO | B22E2 | 1-02 * | D26 | 1 | | | N 7-7/8 | | 1136 |
| PARO | D18B1 | 1-03 * | D19 | 2 | | | N 7-1/8 | | 1136 |
| PARO | E06A1 | 1-04 * | D27 | 1 | | | N 12-5/8 | | 1136 |
| PARO | J13F1 | 1-05 * | DXX | | | | 34-6/8 | | 1136 |
| PARO | B22U2 | 1-01 * | D26 | 1 | | | N 13-6/8 | | 1137 |
| PARO | E06B1 | 1-02 * | D27 | | | | 13-6/8 | | 1137 |
| PAROK | A32B1 | 1-01 * | DXX | 2 | | | N 5-2/8 | | 1139 |
| PAROK | B25J2 | 1-02 * | D26 | 1 | | | N 8-1/8 | | 1139 |
| PAROK | E24B1 | 1-03 * | D11 | 2 | | | N 2-5/8 | | 1139 |
| PAROK | E21J1 | 1-04 * | D11 | 1 | | | N 13-0/8 | | 1139 |
| PAROK | C05D1 | 1-05 * | D25 | | | | 29-0/8 | | 1139 |
| PAROK | B22V2 | 1-01 * | D26 | 1 | | | N 2-3/8 | | 1139 |
| PAROK | B25H2 | 1-02 * | D26 | 2 | | | N 5 | | 1139 |
| PAROK | A19M2 | 1-03 * | D26 | 1 | | | N 8-3/8 | | 1139 |
| PAROK | C08R1 | 1-04 * | D05 | 2 | | | N 8-1/8 | | 1139 |
| PAROK | E01L2 | 1-05 * | D05 | | | | 23-7/8 | | 1139 |
| PARSTP(1) | C25E1 | 1-01 * S | D06 | 2 | | | N 0-5/8 | | 1140 |
| PARSTP(1) | A30A1 | 1-02 * | D22 | 1 | | | N 12-1/8 | | 1140 |
| PARSTP(1) | D25M1 | 1-03 * | D19 | 2 | | | N 14-5/8 | | 1140 |
| PARSTP(1) | E01M2 | 1-04 * | D05 | | | | 35-3/8 | | 1140 |
| PCLK1 | A27T2 | 1-01 * | D20 | 2 | | | N 2-7/8 | | 1141 |
| PCLK1 | A28B1 | 1-02 * | D20 | 1 | | | N 0-5/8 | | 1141 |
| PCLK1 | A25E1 | 1-03 * | D20 | 2 | | | N 12-1/8 | | 1141 |
| PCLK1 | E27D2 | 1-04 * | D20 | 1 | | | N 6-2/8 | | 1141 |
| PCLK1 | F20D1 | 1-05 * | | 2 | | | N 2-1/8 | | 1141 |
| PCLK1 | F22N2 | 1-06 * | | 1 | | | N 11-1/8 | | 1141 |
| PCLK1 | E08E2 | 1-07 * | | 2 | | | N 10-3/8 | | 1141 |
| PCLK1 | B01P2 | 1-08 * | D11 | | | | 45-4/8 | | 1141 |

| DX118.U RUN NAME | WRAPD .V35(102)-1 A/P PIN ORDER NAME | 03-JUN-77 BAY - Q ORDER PIN | 03-JUN-77 DRAW OPT | RV RC Y X Z | REMARKS | 15-NOV-77 | 15148 NC LENGTH EXCEPTIONS FLAG | PAGE 127 | RUN NUMBER |
|---------------------|---|--------------------------------|-----------------------|-------------|---------|-----------|---------------------------------------|----------|---------------|
| PDPTO(0) | D26K1 | 1-01 * S | D18 | 1 | | | N 8-3/8 | | 1142 |
| PDPTO(0) | F21P2 | 1-02 * | D18 | 2 | | | N 1-5/8 | | 1142 |
| PDPTO(0) | F22F2 | 1-03 * | | | | | 10-0/8 | | 1142 |
| PDPTO(1) | D26L1 | 1-01 * S | D18 | 1 | | | N 9-4/8 | | 1143 |
| PDPTO(1) | F17S1 | 1-02 * | D18 | | | | 9-0/8 | | 1143 |
| PH0(0) | A02H1 | 1-01 * | D25 | 1 | | | N 17-3/8 | | 1144 |
| PH0(0) | C22V2 | 1-02 * S | D11 | | | | 17-3/8 | | 1144 |
| PH0(1) | A32F1 | 1-01 * | D22 | 2 | | | N 7 | | 1145 |
| PH0(1) | B24H1 | 1-02 * | D11 | 1 | | | N 6-3/8 | | 1145 |
| PH0(1) | D22F1 | 1-03 * | D19 | 2 | | | N 1-7/8 | | 1145 |
| PH0(1) | C22U2 | 1-04 * S | D11 | | | | 15-2/8 | | 1145 |
| PH1(0) | A02F1 | 1-01 * | D25 | 1 | | | N 17-7/8 | | 1146 |
| PH1(0) | C23V2 | 1-02 * S | D11 | | | | 17-7/8 | | 1146 |
| PH1(1) | A32E1 | 1-01 * | D22 | 2 | | | N 6-2/8 | | 1147 |
| PH1(1) | B24J1 | 1-02 * | D11 | 1 | | | N 5-7/8 | | 1147 |
| PH1(1) | D23F1 | 1-03 * | D19 | 2 | | | N 1-7/8 | | 1147 |
| PH1(1) | C23U2 | 1-04 * S | D11 | | | | 14-0/8 | | 1147 |
| PH2(0) | A02E1 | 1-01 * | D25 | 1 | | | N 18-5/8 | | 1148 |
| PH2(0) | C24V2 | 1-02 * S | D11 | | | | 10-5/8 | | 1148 |
| PH2(1) | A32D1 | 1-01 * | D22 | 1 | | | N 6-4/8 | | 1149 |
| PH2(1) | B24K1 | 1-02 * | D11 | 2 | | | N 5-3/8 | | 1149 |
| PH2(1) | D24F1 | 1-03 * | D19 | 1 | | | N 1-7/8 | | 1149 |
| PH2(1) | C24U2 | 1-04 * S | D11 | | | | 13-6/8 | | 1149 |
| PH501 | E06A1 | 1-01 * | D25 | 2 | | | N 6-5/8 | | 1150 |
| PH501 | B17F1 | 1-02 * | D06 | 1 | | | N 7-1/8 | | 1150 |
| PH501 | A26A1 | 1-03 * | D20 | 2 | | | N 5-1/8 | | 1150 |
| PH501 | B24L1 | 1-04 * S | D20 | | | | 18-7/8 | | 1150 |
| PH502 | A05M1 | 1-01 * | D25 | 2 | | | N 5-3/8 | | 1151 |
| PH502 | C05H2 | 1-02 * | D24 | 1 | | | N 6-5/8 | | 1151 |
| PH502 | E03E1 | 1-03 * | D24 | 2 | | | N 1-0/8 | | 1151 |
| PH502 | E03P1 | 1-04 * | D24 | 1 | | | N 3-7/8 | | 1151 |
| PH502 | E07D2 | 1-05 * | D05 | 2 | | | N 9-7/8 | | 1151 |
| PH502 | E25K2 | 1-06 * | D13 | 1 | | | N 11-5/8 | | 1151 |
| PH502 | A26E1 | 1-07 * S | D20 | | | | 38-7/8 | | 1151 |

| DX118.U RUN NAME | WRAPD .V35(102)-1 A/P PIN ORDER PIN | 03-JUN-77 BAY - Q ORDER | DRAW OPT | RV RG Y X Z | REMARKS | 15-NOV-77 | 15148 NC LENGTH FLAG | PAGE 128 EXCEPTIONS | RUN NUMBER |
|---------------------|--|----------------------------|--------------|-------------|---------|-----------|----------------------------|------------------------|---------------|
| PH802 | L | B24B1 | 1-01 * S D20 | | | | N 5-5/8 | | 1152 |
| PH802 | L | A26D1 | 1-02 * D20 | 2 | | | N 8 | | 1152 |
| PH802 | L | B17H1 | 1-03 * D06 | 2 | | | N 6-5/8 | | 1152 |
| PH802 | L | A09M1 | 1-04 * DX | 1 | | | N 6-5/8 | | 1152 |
| PH802 | L | C06K2 | 1-05 * D11 | | | | 26-7/8 | | 1152 |
| PH811 | H | A26H1 | 1-01 * S D20 | 1 | | | N 14-1/8 | | 1153 |
| PH811 | H | B03D1 | 1-02 * D25 | | | | 14-1/8 | | 1153 |
| PH811 | L | A26F1 | 1-01 * D20 | 1 | | | N 5-1/8 | | 1154 |
| PH811 | L | B24R1 | 1-02 * D20 | | | | 5-1/8 | | 1154 |
| PH812 | H | A05E1 | 1-01 * D25 | 1 | | | N 11-3/8 | | 1155 |
| PH812 | H | A26K1 | 1-02 * S D20 | | | | 11-3/8 | | 1155 |
| PH812 | L | B24P1 | 1-01 * S D20 | 2 | | | N 4-7/8 | | 1156 |
| PH812 | L | A26J1 | 1-02 * D20 | 1 | | | N 16-5/8 | | 1156 |
| PH812 | L | E15L1 | 1-03 * D11 | | | | 21-0/8 | | 1156 |
| PH821 | H | A26M1 | 1-01 * S D20 | 2 | | | N 3-6/8 | | 1157 |
| PH821 | H | B21P1 | 1-02 * D13 | 1 | | | N 9-5/8 | | 1157 |
| PH821 | H | B03J2 | 1-03 * D25 | | | | 13-3/8 | | 1157 |
| PH821 | L | A26L1 | 1-01 * D20 | 1 | | | N 4-3/8 | | 1158 |
| PH821 | L | B24N1 | 1-02 * S D20 | | | | 4-3/8 | | 1158 |
| PH822 | H | A26P1 | 1-01 * S D20 | 1 | | | N 11-1/8 | | 1159 |
| PH822 | H | A06D2 | 1-02 * D25 | 2 | | | N 4-5/8 | | 1159 |
| PH822 | H | B04F1 | 1-03 * D25 | 1 | | | N 8-1/8 | | 1159 |
| PH822 | H | E03D2 | 1-04 * D24 | | | | 23-7/8 | | 1159 |
| PH822 | L | A26N1 | 1-01 * D20 | 1 | | | N 4-1/8 | | 1160 |
| PH822 | L | B24M1 | 1-02 * S D20 | | | | 4-1/8 | | 1160 |
| PH831 | H | A05P1 | 1-01 * D25 | 2 | | | N 1-1/8 | | 1161 |
| PH831 | H | A06K1 | 1-02 * D25 | 1 | | | N 11-1/8 | | 1161 |
| PH831 | H | A26E1 | 1-03 * S D20 | | | | 12-2/8 | | 1161 |
| PH831 | L | A26R1 | 1-01 * D20 | 1 | | | N 4-1/8 | | 1162 |
| PH831 | L | B24T2 | 1-02 * S D20 | | | | 4-1/8 | | 1162 |
| PH832 | H | A26U1 | 1-01 * S D20 | 1 | | | N 12-1/8 | | 1163 |
| PH832 | H | A04M1 | 1-02 * D25 | 2 | | | N 3-5/8 | | 1163 |
| PH832 | H | E04N2 | 1-03 * D25 | | | | 15-6/8 | | 1163 |
| PH832 | H | | | | | | | | 1163 |

| DX118.U RUN NAME | WRAPD .V35(102)-1 A/P PIN ORDER PIN | 03-JUN-77 BAY - Q ORDER | DRAW OPT | RV RG Y X Z | REMARKS | 15-NOV-77 | 15148 NC LENGTH FLAG | PAGE 129 EXCEPTIONS | RUN NUMBER |
|---------------------|--|----------------------------|--------------|-------------|---------|-----------|----------------------------|------------------------|---------------|
| PH832 | L | A26V1 | 1-01 * D20 | 1 | | | N 3-5/8 | | 1164 |
| PH832 | L | B24S2 | 1-02 * S D20 | | | | 3-5/8 | | 1164 |
| PH841 | H | A05D2 | 1-01 * D25 | 1 | | | N 11-1/8 | | 1165 |
| PH841 | H | A26P2 | 1-02 * S D20 | | | | 11-1/8 | | 1165 |
| PH841 | L | A26E2 | 1-01 * D20 | 1 | | | N 5-1/8 | | 1166 |
| PH841 | L | B24R2 | 1-02 * S D20 | | | | 5-1/8 | | 1166 |
| PH842 | H | A05J2 | 1-01 * D25 | 1 | | | N 11 | | 1167 |
| PH842 | H | A26J2 | 1-02 * S D20 | | | | 11-0/8 | | 1167 |
| PH842 | L | B24P2 | 1-01 * S D20 | 2 | | | N 4-7/8 | | 1168 |
| PH842 | L | A26H2 | 1-02 * D20 | 1 | | | N 17-1/8 | | 1168 |
| PH842 | L | E15M1 | 1-03 * D11 | | | | 22-0/8 | | 1168 |
| PH851 | H | A26L2 | 1-01 * S D20 | 1 | | | N 11-1/8 | | 1169 |
| PH851 | H | A06P1 | 1-02 * D07 | 2 | | | N 5-7/8 | | 1169 |
| PH851 | H | C08D2 | 1-03 * D13 | | | | 17-0/8 | | 1169 |
| PH851 | L | B24N2 | 1-01 * S D20 | 2 | | | N 4-3/8 | | 1170 |
| PH851 | L | A26K2 | 1-02 * D20 | 1 | | | N 11 /8 | | 1170 |
| PH851 | L | E24E1 | 1-03 * D11 | 2 | | | N 5 /8 | | 1170 |
| PH851 | L | E15K1 | 1-04 * D11 | | | | 21-3/8 | | 1170 |
| PH852 | H | A26R2 | 1-01 * S D20 | 2 | | | N 10-5/8 | | 1171 |
| PH852 | H | A06N2 | 1-02 * DX | 1 | | | N 18-6/8 | | 1171 |
| PH852 | H | E30H2 | 1-03 * D13 | | | | 29-3/8 | | 1171 |
| PH852 | L | B24J2 | 1-01 * S D20 | 2 | | | 3-3/8 | | 1172 |
| PH852 | L | A26P2 | 1-02 * D20 | 1 | | | N 13-3/8 | | 1172 |
| PH852 | L | E06T2 | 1-03 * D25 | 2 | | | N 10-3/8 | | 1172 |
| PH852 | L | E01P2 | 1-04 * D05 | | | | 27-1/8 | | 1172 |
| PH852 | L | | | | | | | | 1172 |
| PH861 | H | A26T2 | 1-01 * S D20 | 1 | | | N 15-1/8 | | 1173 |
| PH861 | H | B24R1 | 1-02 * D25 | 2 | | | N 10-2/8 | | 1173 |
| PH861 | H | E15J2 | 1-03 * D11 | | | | 25-3/8 | | 1173 |
| PH861 | L | B24H2 | 1-01 * S D20 | 1 | | | N 3-1/8 | | 1174 |
| PH861 | L | A26S2 | 1-02 * D20 | 2 | | | N 9-7/8 | | 1174 |
| PH861 | L | AC0P1 | 1-03 * D13 | 1 | | | N 17 | | 1174 |
| PH861 | L | E22L2 | 1-04 * D11 | | | | 30-0/8 | | 1174 |
| PH861 | L | | | | | | | | 1174 |

126

| DX118.U | | WRAPD .V35(102)-1 | | 03-JUN-77 | | 15-NOV-77 | | PAGE 130 | | RUN | | | | |
|------------|-----|-------------------|--------|-----------|---|-----------|----|----------|---|-----|---|-----------|------------|--------|
| RUN NAME | A/P | PIN | ORDER | BAY | Q | DRAW | RV | RG | Y | X | Z | NC LENGTH | EXCEPTIONS | NUMBER |
| | | NAME | PIN | ORDER | | OPT | | | | | | FLAG | | |
| PH562 | H | A06B1 | 1-01 * | | 2 | D25 | | | | | | N | 2-2/8 | 1175 |
| PH562 | H | A04P1 | 1-02 * | | 1 | D25 | | | | | | N | 3-5/8 | 1175 |
| PH562 | H | B04R2 | 1-03 * | | 2 | D25 | | | | | | N | 3-2/8 | 1175 |
| PH562 | H | C06F2 | 1-04 * | | 1 | D13 | | | | | | N | 16-7/8 | 1175 |
| PH562 | H | E30J2 | 1-05 * | | 2 | D13 | | | | | | N | 11-5/8 | 1175 |
| PH562 | H | A26V2 | 1-06 * | | 8 | D20 | | | | | | | 37-5/8 | 1175 |
| PH562 | L | B24F2 | 1-01 * | | 8 | D20 | | | | | | N | 2-3/8 | 1176 |
| PH562 | L | A26U2 | 1-02 * | | 2 | D10 | | | | | | N | 16-7/8 | 1176 |
| PH562 | L | A08H1 | 1-03 * | | 2 | D13 | | | | | | N | 14-7/8 | 1176 |
| PH562 | L | E01R2 | 1-04 * | | 1 | D05 | | | | | | N | 11-1/8 | 1176 |
| PH562 | L | E23P1 | 1-05 * | | 1 | D11 | | | | | | | 39-2/8 | 1176 |
| PH571 | H | A01L1 | 1-01 * | | 2 | | | | | | | N | 11-7/8 | 1177 |
| PH571 | H | B17R2 | 1-02 * | | 1 | D06 | | | | | | N | 7-1/8 | 1177 |
| PH571 | H | A27B1 | 1-03 * | | 8 | D20 | | | | | | | 19-0/8 | 1177 |
| PH571 | L | B06L2 | 1-01 * | | 2 | D25 | | | | | | N | 5-5/8 | 1178 |
| PH571 | L | B17K1 | 1-02 * | | 1 | D06 | | | | | | N | 6-2/8 | 1178 |
| PH571 | L | A27A1 | 1-03 * | | 2 | D20 | | | | | | N | 4-7/8 | 1178 |
| PH571 | L | B24E2 | 1-04 * | | 3 | D20 | | | | | | | 10-6/8 | 1178 |
| PH572 | H | A27E1 | 1-01 * | | 8 | D20 | | | | | | N | 17-5/8 | 1179 |
| PH572 | H | E14K2 | 1-02 * | | 2 | D25 | | | | | | N | 6-2/8 | 1179 |
| PH572 | H | E03K1 | 1-03 * | | 1 | D25 | | | | | | | 23-7/8 | 1179 |
| PH572 | L | B24K2 | 1-01 * | | 8 | D20 | | | | | | N | 5-1/8 | 1180 |
| PH572 | L | A27D1 | 1-02 * | | 1 | D20 | | | | | | N | 6-5/8 | 1180 |
| PH572 | L | B17J1 | 1-03 * | | 2 | D06 | | | | | | N | 7-5/8 | 1180 |
| PH572 | L | C06B1 | 1-04 * | | 2 | D25 | | | | | | N | 2-1/8 | 1180 |
| PH572 | L | C06R2 | 1-05 * | | 1 | D11 | | | | | | | 23-4/8 | 1180 |
| PWR OK RLY | H | F01V2 | 1-01 * | | 2 | DXX | | | | | | N | 5-1/8 | 1181 |
| PWR OK RLY | H | H09E2 | 1-02 * | | 1 | D27 | | | | | | N | 1 | 1181 |
| PWR OK RLY | H | H10E2 | 1-03 * | | 2 | D27 | | | | | | N | 1 | 1181 |
| PWR OK RLY | H | H10K1 | 1-04 * | | 1 | D27 | | | | | | N | 0-5/8 | 1181 |
| PWR OK RLY | H | H09N2 | 1-05 * | | 2 | D27 | | | | | | N | 0-5/8 | 1181 |
| PWR OK RLY | H | H09K1 | 1-06 * | | 2 | D27 | | | | | | N | 1-4/8 | 1181 |
| PWR OK RLY | H | H09U1 | 1-07 * | | 2 | D27 | | | | | | N | 1 | 1181 |
| PWR OK RLY | H | H10U1 | 1-08 * | | 2 | D27 | | | | | | N | 1-2/8 | 1181 |
| PWR OK RLY | H | H10N2 | 1-09 * | | 2 | DXX | | | | | | N | 0-5/8 | 1181 |
| PWR OK RLY | H | F11K1 | 1-10 * | | 1 | DXX | | | | | | N | 0-5/8 | 1181 |
| PWR OK RLY | H | H11N2 | 1-11 * | | 2 | D27 | | | | | | N | 1-2/8 | 1181 |
| PWR OK RLY | H | H11U1 | 1-12 * | | 1 | D27 | | | | | | N | 1-7/8 | 1181 |
| PWR OK RLY | H | J11E2 | 1-13 * | | 2 | D27 | | | | | | N | 1 | 1181 |
| PWR OK RLY | H | J11K1 | 1-14 * | | 2 | D27 | | | | | | N | 0-5/8 | 1181 |
| PWR OK RLY | H | J11N2 | 1-15 * | | 2 | D27 | | | | | | N | 1-2/8 | 1181 |
| PWR OK RLY | H | J11U1 | 1-16 * | | 1 | D27 | | | | | | N | 28-3/8 | 1181 |
| PWR OK RLY | H | A30V1 | 1-17 * | | 1 | D27 | | | | | | | 47-6/8 | 1181 |

| DX118.U | | WRAPD .V35(102)-1 | | 03-JUN-77 | | 15-NOV-77 | | PAGE 131 | | RUN | | | | |
|----------|-----|-------------------|--------|-----------|---|-----------|----|----------|---|-----|---|-----------|------------|--------|
| RUN NAME | A/P | PIN | ORDER | BAY | Q | DRAW | RV | RG | Y | X | Z | NC LENGTH | EXCEPTIONS | NUMBER |
| | | NAME | PIN | ORDER | | OPT | | | | | | FLAG | | |
| RADRI | H | D22L1 | 1-01 * | | 1 | D19 | | | | | | H | 8-1/8 | 1182 |
| RADRI | H | H20D2 | 1-02 * | | 1 | DXX | | | | | | | 8-1/8 | 1182 |
| RBUSI 00 | H | D10L1 | 1-01 * | | 1 | D19 | | | | | | N | 14 | 1183 |
| RBUSI 00 | H | H21P2 | 1-02 * | | 1 | DXX | | | | | | | 14-0/8 | 1183 |
| RBUSI 01 | H | D11L1 | 1-01 * | | 1 | D19 | | | | | | N | 12-2/8 | 1184 |
| RBUSI 01 | H | H21P2 | 1-02 * | | 1 | DXX | | | | | | | 12-2/8 | 1184 |
| RBUSI 02 | H | D12L1 | 1-01 * | | 1 | D19 | | | | | | N | 12-7/8 | 1185 |
| RBUSI 02 | H | H71P1 | 1-02 * | | 1 | DXX | | | | | | | 12-7/8 | 1185 |
| RBUSI 03 | H | D13L1 | 1-01 * | | 1 | D19 | | | | | | N | 11-5/8 | 1186 |
| RBUSI 03 | H | H21P1 | 1-02 * | | 1 | DXX | | | | | | | 11-5/8 | 1186 |
| RBUSI 04 | H | D14L1 | 1-01 * | | 1 | D19 | | | | | | N | 11-5/8 | 1187 |
| RBUSI 04 | H | H20P2 | 1-02 * | | 1 | DXX | | | | | | | 11-5/8 | 1187 |
| RBUSI 05 | H | D15L1 | 1-01 * | | 1 | D19 | | | | | | N | 10-3/8 | 1188 |
| RBUSI 05 | H | H20P2 | 1-02 * | | 1 | DXX | | | | | | | 10-3/8 | 1188 |
| RBUSI 06 | H | D16L1 | 1-01 * | | 1 | D19 | | | | | | N | 10-3/8 | 1189 |
| RBUSI 06 | H | H20P1 | 1-02 * | | 1 | DXX | | | | | | | 10-3/8 | 1189 |
| RBUSI 07 | H | D17L1 | 1-01 * | | 1 | D19 | | | | | | N | 9-1/8 | 1190 |
| RBUSI 07 | H | H20P1 | 1-02 * | | 1 | DXX | | | | | | | 9-1/8 | 1190 |
| RBUSI P | H | D18L1 | 1-01 * | | 1 | D19 | | | | | | N | 9-5/8 | 1191 |
| RBUSI P | H | H23P1 | 1-02 * | | 1 | DXX | | | | | | | 9-5/8 | 1191 |
| REG IN | | H11M2 | 1-01 * | | 2 | DXX | | | | | | N | 1-1/8 | 1192 |
| REG IN | | H12S2 | 1-02 * | | 1 | DXX | | | | | | N | 1-4/8 | 1192 |
| REG IN | | H14S2 | 1-03 * | | 1 | DXX | | | | | | | 2-5/8 | 1192 |
| REGI(0) | H | C23S2 | 1-01 * | | 8 | D13 | | | | | | N | 11-1/8 | 1193 |
| REGI(0) | H | H22R2 | 1-02 * | | 1 | DXX | | | | | | N | 16-1/8 | 1193 |
| REGI(0) | H | E03P1 | 1-03 * | | 1 | D24 | | | | | | | 27-2/8 | 1193 |

| DX119.U | WRAPD .V35(102)-1 | 03-JUN-77 | 15-NOV-77 | 15:48 | PAGE 132 | RUN |
|----------|-------------------|--------------|---------------|------------------|----------|----------------------|
| RUN NAME | A/P PIN NAME | ORDER PIN | BAY - Q ORDER | DRAW PV RG Y X Z | REMARKS | NC LENGTH EXCEPTIONS |
| | | | | OPT | | FLAG |
| REGI(1) | H C23R2 | 1-01 * S | D13 | 2 | | N 10-5/8 |
| REGI(1) | H A31R2 | 1-02 * D22 | | 1 | | N 16-5/8 |
| REGI(1) | H B04C1 | 1-03 * D25 | | 2 | | N 6-3/8 |
| REGI(1) | H D02B1 | 1-04 * D24 | | 1 | | N 4-3/8 |
| REGI(1) | H E03J2 | 1-05 * D24 | | | | 38-0/8 |
| REGI(1) | H | | | | | 1194 |
| REGIN | H D02P1 | 1-01 * H | | 1 | | 1195 |
| REGIN | H H11P1 | 1-02 * H | | | | 1196 |
| REGIN | H | | | | | 1197 |
| ROPLI | H D25L1 | 1-01 * D19 | | 1 | | N 10-1/8 |
| ROPLI | H H22P1 | 1-02 * DXX | | | | 10-1/8 |
| ROPLI | H | | | | | 1196 |
| RREGI | H D23L1 | 1-01 * D19 | | 1 | | N 8-7/8 |
| RREGI | H H22P2 | 1-02 * DXX | | | | 8-7/8 |
| RREGI | H | | | | | 1197 |
| RSELI | H D24L1 | 1-01 * D19 | | 1 | | N 8-3/8 |
| RSELI | H H22P2 | 1-02 * DXX | | | | 8-3/8 |
| RSELI | H | | | | | 1198 |
| RGRVI | H D20L1 | 1-01 * D19 | | 1 | | N 8-1/8 |
| RGRVI | H H21D2 | 1-02 * DXX | | | | 8-1/8 |
| RGRVI | H | | | | | 1199 |
| RSTAI | H D21L1 | 1-01 * D19 | | 1 | | N 8-5/8 |
| RSTAI | H H20M2 | 1-02 * DXX | | | | 8-5/8 |
| RSTAI | H | | | | | 1200 |
| S17FN1 | L C02W2 | 1-01 * S D24 | | 1 | | N 4-7/8 |
| S17FN1 | L E04A1 | 1-02 * D24 | | | | 4-7/8 |
| S17FN1 | L | | | | | 1201 |
| S17FN2 | L C02K2 | 1-01 * S D24 | | 1 | | N 5-7/8 |
| S17FN2 | L E04E1 | 1-02 * D24 | | | | 5-7/8 |
| S17FN2 | L | | | | | 1202 |
| SEL IN | F01M2 | 1-01 * DXX | | 1 | | N 7-6/8 |
| SEL IN | J11M2 | 1-02 * DXX | | 2 | | N 1-5/8 |
| SEL IN | J13M2 | 1-03 * DXX | | | | 9-3/8 |
| SEL IN | | | | | | 1203 |
| SEL IN A | F01S2 | 1-01 * DXX | | 1 | | N 8-2/8 |
| SEL IN A | J12T2 | 1-02 * DXX | | | | 8-2/8 |
| SEL IN A | | | | | | 1204 |
| SEL IN B | F01R2 | 1-01 * D29 | | 1 | | N 10-1/8 |
| SEL IN B | J14T2 | 1-02 * DXX | | | | 10-1/8 |
| SEL IN B | | | | | | 1205 |
| SEL OUT | F01L2 | 1-01 * DXX | | 1 | | N 9-1/8 |
| SEL OUT | J13V2 | 1-02 * DXX | | 2 | | N 2-1/8 |
| SEL OUT | J11P1 | 1-03 * D27 | | | | 11-2/8 |
| SEL OUT | | | | | | 1206 |

| DX119.U | WRAPD .V35(102)-1 | 03-JUN-77 | 15-NOV-77 | 15:48 | PAGE 133 | RUN |
|-------------|-------------------|--------------|---------------|------------------|----------|----------------------|
| RUN NAME | A/P PIN NAME | ORDER PIN | BAY - Q ORDER | DRAW PV RG Y X Z | REMARKS | NC LENGTH EXCEPTIONS |
| | | | | OPT | | FLAG |
| SEL OUT A | F01N2 | 1-01 * D29 | | 1 | | N 9 |
| SEL OUT A | J12V2 | 1-02 * DXX | | | | 9-0/8 |
| SEL OUT A | | | | | | 1207 |
| SEL OUT B | F01P2 | 1-01 * D29 | | 1 | | N 10-1/8 |
| SEL OUT B | J14V2 | 1-02 * DXX | | | | 10-1/8 |
| SEL OUT B | | | | | | 1208 |
| SEL SYNC(1) | A24K1 | 1-01 * D17 | | 1 | | N 1 |
| SEL SYNC(1) | A24P1 | 1-02 * D17 | | 2 | | N 1 |
| SEL SYNC(1) | A25P1 | 1-03 * D17 | | 1 | | N 0-5/8 |
| SEL SYNC(1) | A25L1 | 1-04 * D17 | | 2 | | N 5-4/8 |
| SEL SYNC(1) | B32K1 | 1-05 * D17 | | 1 | | N 0-5/8 |
| SEL SYNC(1) | B32F1 | 1-06 * D17 | | 2 | | N 9-3/8 |
| SEL SYNC(1) | D27S1 | 1-07 * D17 | | | | 10-1/8 |
| SEL SYNC(1) | | | | | | 1209 |
| SELECT | A05A1 | 1-01 * D25 | | 2 | | N 2-7/8 |
| SELECT | A07S2 | 1-02 * D25 | | 1 | | N 2-5/8 |
| SELECT | B06E1 | 1-03 * D25 | | 2 | | N 1-7/8 |
| SELECT | B04A1 | 1-04 * D25 | | | | 7-3/8 |
| SELECT | | | | | | 1210 |
| SELECT | A07T2 | 1-01 * S D25 | | 1 | | N 2 |
| SELECT | A09H1 | 1-02 * D13 | | | | 2-0/8 |
| SELECT | | | | | | 1211 |
| SELI(0) | C24S2 | 1-01 * D13 | | 2 | | N 5 |
| SELI(0) | B18U2 | 1-02 * D13 | | 1 | | N 0-1/8 |
| SELI(0) | B18T2 | 1-03 * D13 | | 2 | | N 1 |
| SELI(0) | B19T2 | 1-04 * D13 | | 1 | | N 13-5/8 |
| SELI(0) | H22H2 | 1-05 * DXX | | 2 | | N 8-5/8 |
| SELI(0) | E12C1 | 1-06 * D24 | | 1 | | N 6-3/8 |
| SELI(0) | E02V1 | 1-07 * D24 | | | | 34-6/8 |
| SELI(0) | | | | | | 1212 |
| SELI(1) | C24R2 | 1-01 * H D13 | | 1 | | 20-3/8 |
| SELI(1) | J11P1 | 1-02 * H | | | | 20-3/8 |
| SELI(1) | | | | | | 1213 |
| SELIBR | D12M2 | 1-01 * 2 | | 2 | | N 10-1/8 |
| SELIBR | E26R1 | 1-02 * 1 | | 1 | | N 12 |
| SELIBR | J13M2 | 1-03 * 1 | | | | 22-1/8 |
| SELIBR | | | | | | 1214 |
| SELIBUF(1) | A31D2 | 1-01 * 1 | | 1 | | N 11-1/8 |
| SELIBUF(1) | B18V2 | 1-02 * 2 | | 2 | | N 8-5/8 |
| SELIBUF(1) | B06C1 | 1-03 * 1 | | | | 19-6/8 |
| SELIBUF(1) | | | | | | 1215 |
| SELO | E16E1 | 1-01 * H D12 | | 1 | | 10-5/8 |
| SELO | J13P2 | 1-02 * DXX | | | | 10-5/8 |
| SELO | | | | | | 1216 |

28

| DX119.U RUN NAME | WRAPD .V35(102)=1 A/P PIN ORDER PIN | 03-JUN-77 BAY - Q ORDER | DRAW RV RG Y X Z | REMARKS | 15-NOV-77 | 19148 NC LENGTH FLAG | PAGE 134 EXCEPTIONS | RUN NUMBER |
|---------------------|--|----------------------------|------------------|---------|-----------|----------------------------|------------------------|---------------|
| SELO(0) | H A03M2 | 1-01 * | D25 | | | N 1-6/8 | | 1217 |
| SELO(0) | H A05U2 | 1-02 * | D24 | | | N 4-7/8 | | 1217 |
| SELO(0) | H C00J1 | 1-03 * | D24 | | | N 1-5/8 | | 1217 |
| SELO(0) | H C00T2 | 1-04 * | D25 | | | N 5-3/8 | | 1217 |
| SELO(0) | H E03C1 | 1-05 * | D24 | | | N 14-5/8 | | 1217 |
| SELO(0) | H E06J1 | 1-06 * | D13 | | | N 8-7/8 | | 1217 |
| SELO(0) | H C23K2 | 1-07 * S | D12 | | | | | 1217 |
| SELO(0) | H | 1 | | | | 37-1/8 | | 1217 |
| SELO(1) | H A31E1 | 1-01 * | D22 | | | N 16-3/8 | | 1218 |
| SELO(1) | H B04D1 | 1-02 * | D25 | | | N 5-5/8 | | 1218 |
| SELO(1) | H C01T2 | 1-03 * | D05 | | | N 2-7/8 | | 1218 |
| SELO(1) | H D02H2 | 1-04 * | D24 | | | N 6-6/8 | | 1218 |
| SELO(1) | H E12B1 | 1-05 * | D24 | | | N 2-7/8 | | 1218 |
| SELO(1) | H E14T2 | 1-06 * | D13 | | | N 9-7/8 | | 1218 |
| SELO(1) | H E25U2 | 1-07 * | D13 | | | N 4-3/8 | | 1218 |
| SELO(1) | H D2301 | 1-08 * | D19 | | | N 4-3/8 | | 1218 |
| SELO(1) | H C23J2 | 1-09 * S | D12 | | | | | 1218 |
| SELO(1) | H | 1 | | | | 49-0/8 | | 1218 |
| SELROT(0) | H A02M1 | 1-01 * | D05 | | | N 14-5/8 | | 1219 |
| SELROT(0) | H E07V2 | 1-02 * | D24 | | | N 13-2/8 | | 1219 |
| SELROT(0) | H C23M1 | 1-03 * S | D05 | | | | | 1219 |
| SELROT(0) | H | 1 | | | | 26-7/8 | | 1219 |
| SELROT(1) | H A29C1 | 1-01 * | D22 | | | N 12-3/8 | | 1220 |
| SELROT(1) | H B14U1 | 1-02 * | D10 | | | N 7-3/8 | | 1220 |
| SELROT(1) | H D23S2 | 1-03 * | D19 | | | N 3-5/8 | | 1220 |
| SELROT(1) | H C23N1 | 1-04 * S | D05 | | | | | 1220 |
| SELROT(1) | H | 1 | | | | 23-3/8 | | 1220 |
| SENSE | L A04V2 | 1-01 * S | D24 | | | N 9-3/8 | | 1221 |
| SENSE | L C03M2 | 1-02 * | D25 | | | N 17-7/8 | | 1221 |
| SENSE | L E29E2 | 1-03 * | D13 | | | | | 1221 |
| SENSE | L | 1 | | | | 23-2/8 | | 1221 |
| SETPH0 | L B05V2 | 1-01 * S | D24 | | | N 14 | | 1222 |
| SETPH0 | L E22A1 | 1-02 * | D11 | | | | | 1222 |
| SETPH0 | L | 1 | | | | 14-0/0 | | 1222 |
| SETPH1 | L C03S1 | 1-01 * S | D24 | | | N 12-3/8 | | 1223 |
| SETPH1 | L B19D1 | 1-02 * | D11 | | | N 9-3/8 | | 1223 |
| SETPH1 | L E22B1 | 1-03 * | D11 | | | | | 1223 |
| SETPH1 | L | 1 | | | | 21-6/8 | | 1223 |
| SETPH2 | L C08L1 | 1-01 * S | D24 | | | N 8-7/8 | | 1224 |
| SETPH2 | L B19F1 | 1-02 * | D11 | | | N 9-1/8 | | 1224 |
| SETPH2 | L E22C1 | 1-03 * | D11 | | | | | 1224 |
| SETPH2 | L | 1 | | | | 10-0/8 | | 1224 |
| SETPH3 | L C07U1 | 1-01 * S | D24 | | | N 10-2/8 | | 1225 |
| SETPH3 | L B19C1 | 1-02 * | D11 | | | N 1 | | 1225 |
| SETPH3 | L B15H1 | 1-03 * | D11 | | | N 9-3/8 | | 1225 |
| SETPH3 | L E22D1 | 1-04 * | D11 | | | | | 1225 |
| SETPH3 | L | 1 | | | | 20-5/8 | | 1225 |

| DX119.U RUN NAME | WRAPD .V35(102)=1 A/P PIN ORDER PIN | 03-JUN-77 BAY - Q ORDER | DRAW RV RG Y X Z | REMARKS | 15-NOV-77 | 19148 NC LENGTH FLAG | PAGE 135 EXCEPTIONS | RUN NUMBER |
|---------------------|--|----------------------------|------------------|---------|-----------|----------------------------|------------------------|---------------|
| SETPH4 | L C07D2 | 1-01 * S | D24 | | | N 7-5/8 | | 1226 |
| SETPH4 | L B16M1 | 1-02 * | D11 | | | N 9-1/8 | | 1226 |
| SETPH4 | L E22D2 | 1-03 * | D11 | | | | | 1226 |
| SETPH4 | L | 1 | | | | 16-6/8 | | 1226 |
| SG14LAT(0) | H C18K2 | 1-01 * | | | | N 11-1/8 | | 1227 |
| SG14LAT(0) | H B01M2 | 1-02 * | | | | | | 1227 |
| SG14LAT(0) | H | 1 | | | | 11-1/8 | | 1227 |
| SICR | H B05N1 | 1-01 * S | D25 | | | N 1-4/8 | | 1228 |
| SICR | H B07N1 | 1-02 * | D25 | | | N 17-3/8 | | 1228 |
| SICR | H F30P2 | 1-03 * | D13 | | | N 1 | | 1228 |
| SICR | H F31P2 | 1-04 * | D13 | | | N 1-4/8 | | 1228 |
| SICR | H F31E2 | 1-05 * | D13 | | | N 1 | | 1228 |
| SICR | H F30E2 | 1-06 * | D13 | | | N 2-3/8 | | 1228 |
| SICR | H E29E2 | 1-07 * | D13 | | | | | 1228 |
| SICR | H | 1 | | | | 24-6/8 | | 1228 |
| SICR | L B07P1 | 1-01 * S | D25 | | | N 11-3/8 | | 1229 |
| SICR | L E15D2 | 1-02 * | D11 | | | | | 1229 |
| SICR | L | 1 | | | | 11-3/8 | | 1229 |
| SIG1 | H F22M2 | 1-01 * 1 | D25 | | | N 11-5/8 | | 1230 |
| SIG1 | H E05N1 | 1-02 * S | D25 | | | N 9-3/8 | | 1230 |
| SIG1 | H B07L1 | 1-03 * | | | | | | 1230 |
| SIG1 | H | 1 | | | | 21-0/8 | | 1230 |
| SIG1 | L B07M1 | 1-01 * S | D25 | | | N 10-7/8 | | 1231 |
| SIG1 | L E1CA1 | 1-02 * | D11 | | | N 4-5/8 | | 1231 |
| SIG1 | L E22F1 | 1-03 * | D11 | | | | | 1231 |
| SIG1 | L | 1 | | | | 15-4/8 | | 1231 |
| SIG10 | H B07U2 | 1-01 * | D25 | | | N 2-5/8 | | 1232 |
| SIG10 | H C00P1 | 1-02 * | D05 | | | N 6-1/8 | | 1232 |
| SIG10 | H E05F1 | 1-03 * S | D25 | | | | | 1232 |
| SIG10 | H | 1 | | | | 8-6/8 | | 1232 |
| SIG10 | L A25P2 | 1-01 * | D08 | | | N 13-1/8 | | 1233 |
| SIG10 | L E21P1 | 1-02 * | D11 | | | N 12-3/8 | | 1233 |
| SIG10 | L D01P2 | 1-03 * | D05 | | | N 6-1/8 | | 1233 |
| SIG10 | L E07V2 | 1-04 * S | D25 | | | | | 1233 |
| SIG10 | L | 1 | | | | 33-5/8 | | 1233 |
| SIG11 | H B06V2 | 1-01 * S | D25 | | | N 3-7/8 | | 1234 |
| SIG11 | H C06H1 | 1-02 * | D24 | | | N 3-1/8 | | 1234 |
| SIG11 | H D01H2 | 1-03 * | D11 | | | N 0-0/8 | | 1234 |
| SIG11 | H B01E2 | 1-04 * | D11 | | | N 0-0/8 | | 1234 |
| SIG11 | H E07H1 | 1-05 * | D25 | | | N 3-1/8 | | 1234 |
| SIG11 | H D07J1 | 1-06 * | D25 | | | N 10-1/8 | | 1234 |
| SIG11 | H E21A1 | 1-07 * | D11 | | | | | 1234 |
| SIG11 | H | 1 | | | | 21-2/8 | | 1234 |
| SIG11 | L B07K1 | 1-01 * S | D25 | | | N 11-5/8 | | 1235 |
| SIG11 | L C01T2 | 1-02 * | D05 | | | | | 1235 |
| SIG11 | L | 1 | | | | 11-5/8 | | 1235 |

15-NOV-77

03-JUN-77

WRAPD .V35(102)-1

DX118.U

| RUN NAME | A/P | PIN | ORDER | PIN | RAY | O | DRAW | RV | RC | Y | X | Z | REMARKS | 15148 NC LENGTH FLAG | PAGE 136 EXCEPTIONS | 15148 NC LENGTH FLAG | RUN NUMBER |
|----------|-----|-------|-------|-----|-----|---|------|----|----|---|---|---|---------|----------------------------|------------------------|----------------------------|---------------|
| SIG11A | H | A07V2 | 1-01 | * | S | | D25 | | | | 1 | | | N | 4-1/8 | | 1236 |
| SIG11A | H | B02D1 | 1-02 | * | | | D25 | | | | 2 | | | N | 1-2/8 | | 1236 |
| SIG11A | H | B02L1 | 1-03 | * | | | D25 | | | | | | | | | | 1236 |
| SIG11A | L | A0682 | 1-01 | * | S | | D25 | | | | 2 | | | N | 5-3/8 | | 1237 |
| SIG11A | L | A07U2 | 1-02 | * | | | D25 | | | | 1 | | | N | 10-3/8 | | 1237 |
| SIG11A | L | E05D1 | 1-03 | * | | | D25 | | | | 2 | | | N | 10-5/8 | | 1237 |
| SIG11A | L | E25E2 | 1-04 | * | | | D11 | | | | | | | | | | 1237 |
| SIG12 | H | A04P2 | 1-01 | * | | | D25 | | | | 2 | | | N | 2-3/8 | | 1238 |
| SIG12 | H | A07N2 | 1-02 | * | | | D25 | | | | 1 | | | N | 3-7/8 | | 1238 |
| SIG12 | H | B02D2 | 1-03 | * | | | D25 | | | | 2 | | | N | 3-1/8 | | 1238 |
| SIG12 | H | C02D1 | 1-04 | * | | | D24 | | | | | | | | | | 1238 |
| SIG12 | L | A07N2 | 1-01 | * | S | | D25 | | | | 2 | | | N | 9-3/8 | | 1238 |
| SIG12 | L | E25C1 | 1-02 | * | | | D11 | | | | 1 | | | N | 14 | | 1239 |
| SIG12 | L | E01U2 | 1-03 | * | | | D05 | | | | 2 | | | N | 13-7/8 | | 1239 |
| SIG12A | L | A06D1 | 1-01 | * | S | | D25 | | | | 2 | | | N | 2-2/8 | | 1240 |
| SIG12A | L | A03P2 | 1-02 | * | | | D25 | | | | 1 | | | N | 17-2/8 | | 1240 |
| SIG12A | L | E25F2 | 1-03 | * | | | D11 | | | | | | | | | | 1240 |
| SIG13 | H | A0382 | 1-01 | * | | | D25 | | | | 1 | | | N | 3 | | 1241 |
| SIG13 | H | B07F1 | 1-02 | * | | | D25 | | | | | | | | | | 1241 |
| SIG13 | L | A25R2 | 1-01 | * | | | D08 | | | | 2 | | | N | 3-0/8 | | 1242 |
| SIG13 | L | E21R1 | 1-02 | * | | | D11 | | | | 1 | | | N | 13-1/8 | | 1242 |
| SIG13 | L | C01E1 | 1-03 | * | | | D05 | | | | 2 | | | N | 16-7/8 | | 1242 |
| SIG13 | L | B07H1 | 1-04 | * | S | | D25 | | | | | | | | | | 1242 |
| SIG14 | H | B06P2 | 1-01 | * | S | | D25 | | | | 2 | | | N | 35-0/8 | | 1242 |
| SIG14 | H | A07E2 | 1-02 | * | | | D25 | | | | 2 | | | N | 4-5/8 | | 1243 |
| SIG14 | H | B18P2 | 1-03 | * | | | D25 | | | | 2 | | | N | 9-4/8 | | 1243 |
| SIG14 | H | B17F2 | 1-04 | * | | | D06 | | | | 1 | | | N | 1-5/8 | | 1243 |
| SIG14 | H | B17K2 | 1-05 | * | | | D06 | | | | 2 | | | N | 0-5/8 | | 1243 |
| SIG14 | H | B20M2 | 1-06 | * | | | D11 | | | | 2 | | | N | 2-1/8 | | 1243 |
| SIG14 | H | E17T2 | 1-07 | * | | | D06 | | | | 1 | | | N | 10-1/8 | | 1243 |
| SIG14 | L | B01L2 | 1-01 | * | 2 | | | | | | 2 | | | N | 28-5/8 | | 1243 |
| SIG14 | L | A07F2 | 1-02 | * | S | | D25 | | | | 1 | | | N | 4-7/8 | | 1244 |
| SIG14 | L | E14F1 | 1-03 | * | | | D05 | | | | 2 | | | N | 14-1/8 | | 1244 |
| SIG14 | L | E22M2 | 1-04 | * | | | D11 | | | | 2 | | | N | 9-1/8 | | 1244 |
| SIG14 | L | E21U2 | 1-05 | * | | | D11 | | | | 1 | | | N | 1-3/8 | | 1244 |
| SIG15 | L | A05V1 | 1-01 | * | S | | D25 | | | | 1 | | | N | 25-4/8 | | 1244 |
| SIG15 | L | F29E1 | 1-02 | * | | | D13 | | | | | | | | | | 1245 |
| SIG15 | L | | | | | | | | | | | | | | | | 1245 |

15-NOV-77

03-JUN-77

WRAPD .V35(102)-1

DX118.U

| RUN NAME | A/P | PIN | ORDER | PIN | RAY | O | DRAW | RV | RC | Y | X | Z | REMARKS | 15148 NC LENGTH FLAG | PAGE 137 EXCEPTIONS | 15148 NC LENGTH FLAG | RUN NUMBER |
|-----------------|-----|-------|-------|-----|-----|---|------|----|----|---|---|---|---------|----------------------------|------------------------|----------------------------|---------------|
| SIG16 | H | A07M1 | 1-01 | * | S | | D25 | | | | 2 | | | N | 4-3/8 | | 1246 |
| SIG16 | H | B05T2 | 1-02 | * | | | D24 | | | | 1 | | | N | 18-3/8 | | 1246 |
| SIG16 | H | E28H2 | 1-03 | * | | | DXX | | | | | | | | | | 1246 |
| SIG16 | L | A01E1 | 1-01 | * | | | | | | | 2 | | | N | 22-6/8 | | 1247 |
| SIG16 | L | A07L1 | 1-02 | * | | | | | | | 1 | | | N | 4-1/8 | | 1247 |
| SIG16 | L | A09H2 | 1-03 | * | | | | | | | 2 | | | N | 1-7/8 | | 1247 |
| SIG16 | L | E25F1 | 1-04 | * | | | | | | | 2 | | | N | 17-1/8 | | 1247 |
| SIG16 | L | E25H1 | 1-05 | * | | | | | | | 1 | | | N | 0-1/8 | | 1247 |
| SIG16 | L | F22A1 | 1-06 | * | | | DXX | | | | 2 | | | N | 3-2/8 | | 1247 |
| SIG16 | L | F19J2 | 1-07 | * | | | D05 | | | | 2 | | | N | 1-7/8 | | 1247 |
| SIG16 | L | E19L1 | 1-08 | * | | | DXX | | | | 2 | | | N | 3-1/8 | | 1247 |
| SIG16 | L | E03N1 | 1-09 | * | S | | D25 | | | | 1 | | | N | 8-5/8 | | 1247 |
| SIG16 | L | | | | | | | | | | | | | | | | 1247 |
| SIG16 OR DSCRSP | H | A09K2 | 1-01 | * | S | | D13 | | | | 1 | | | N | 40-1/8 | | 1248 |
| SIG16 OR DSCRSP | H | E29K1 | 1-02 | * | | | D13 | | | | 2 | | | N | 15-4/8 | | 1248 |
| SIG16 OR DSCRSP | H | E28E2 | 1-03 | * | | | D13 | | | | | | | | | | 1248 |
| SIG16 OR DSCRSP | L | C24L1 | 1-01 | * | | | D05 | | | | 2 | | | N | 16-7/8 | | 1248 |
| SIG16 OR RESET | L | C21L1 | 1-02 | * | | | D05 | | | | 1 | | | N | 2 | | 1249 |
| SIG16 OR RESET | L | F19D2 | 1-03 | * | | | D05 | | | | 2 | | | N | 8-3/8 | | 1249 |
| SIG16 OR RESET | L | F19K2 | 1-04 | * | S | | D05 | | | | | | | | | | 1249 |
| SIG16 OR RESET | H | C06E1 | 1-01 | * | S | | D25 | | | | 1 | | | N | 11-4/8 | | 1249 |
| SIG17 | H | A07N1 | 1-02 | * | | | D25 | | | | 2 | | | N | 5-3/8 | | 1250 |
| SIG17 | H | B01P1 | 1-03 | * | | | D11 | | | | 2 | | | N | 4-6/8 | | 1250 |
| SIG17 | H | C02L1 | 1-04 | * | | | D24 | | | | 2 | | | N | 3-1/8 | | 1250 |
| SIG17 | H | C02J2 | 1-05 | * | | | D24 | | | | 1 | | | N | 0-4/8 | | 1250 |
| SIG17 | H | C02L2 | 1-06 | * | | | D24 | | | | 2 | | | N | 0-4/8 | | 1250 |
| SIG17 | H | D02R2 | 1-07 | * | | | DXX | | | | 2 | | | N | 3-6/8 | | 1250 |
| SIG17 | H | F21L1 | 1-08 | * | | | D24 | | | | 1 | | | N | 14-3/8 | | 1250 |
| SIG17 | L | A07P1 | 1-01 | * | S | | D25 | | | | 2 | | | N | 32-3/8 | | 1250 |
| SIG17 | L | B05P2 | 1-02 | * | | | D24 | | | | 2 | | | N | 3-7/8 | | 1251 |
| SIG17 | L | B18R1 | 1-03 | * | | | D05 | | | | 1 | | | N | 6-7/8 | | 1251 |
| SIG17 | L | E14N1 | 1-04 | * | | | D11 | | | | 2 | | | N | 9-7/8 | | 1251 |
| SIG17 | L | F25D1 | 1-05 | * | | | D11 | | | | 1 | | | N | 6-7/8 | | 1251 |
| SIG17 | L | | | | | | | | | | | | | | | | 1251 |
| SIG1A | L | A05D1 | 1-01 | * | | | D25 | | | | 1 | | | N | 27-4/8 | | 1252 |
| SIG1A | L | B06F1 | 1-02 | * | | | D25 | | | | 2 | | | N | 3-7/8 | | 1252 |
| SIG1A | L | C06K1 | 1-03 | * | | | D24 | | | | 2 | | | N | 3-3/8 | | 1252 |
| SIG1A | L | E05L1 | 1-04 | * | | | D25 | | | | 1 | | | N | 6-1/8 | | 1252 |
| SIG1A | L | | | | | | | | | | | | | | | | 1252 |
| SIG1B | H | B06L1 | 1-01 | * | S | | D25 | | | | 1 | | | N | 13-3/8 | | 1252 |
| SIG1B | H | B07A1 | 1-02 | * | | | D25 | | | | | | | | | | 1253 |
| SIG1B | H | | | | | | | | | | | | | | | | 1253 |

130

DX118.U

WRAPD .V35(102)-1 03-JUN-77

15-NOV-77

PAGE 130

| DX118.U RUN NAME | A/P | PIN NAME | ORDER PIN | BAY # | Q | DRAW OPT | RV | RG | Y | X | Z | REMARKS | NC LENGTH FLAG | EXCEPTIONS | RUN NUMBER |
|---------------------|-----|-------------|--------------|-------|---|-------------|----|----|---|---|---|---------|-------------------|------------|---------------|
| SIG18 | L | B07B1 | 1-01 * | S | | D25 | | | | | 2 | | N | 1-5/8 | 1254 |
| SIG18 | L | A06U2 | 1-02 * | | | D11 | | | | | 1 | | N | 16-3/8 | 1254 |
| SIG18 | L | E23F1 | 1-03 * | | | D11 | | | | | | | | 18-0/8 | 1254 |
| SIG2 | H | A03K1 | 1-01 * | S | | D25 | | | | | 1 | | N | 6-1/8 | 1255 |
| SIG2 | H | B07B2 | 1-02 * | | | D11 | | | | | | | | 6-1/8 | 1255 |
| SIG2 | L | B07T2 | 1-01 * | S | | D25 | | | | | 1 | | N | 10-1/8 | 1256 |
| SIG2 | L | E15U1 | 1-02 * | | | D11 | | | | | 2 | | N | 4-3/8 | 1256 |
| SIG2 | L | E22H1 | 1-03 * | | | D11 | | | | | 1 | | N | 1-3/8 | 1256 |
| SIG2 | L | E22R1 | 1-04 * | | | D11 | | | | | 2 | | N | 2-1/8 | 1256 |
| SIG2 | L | E25B2 | 1-05 * | | | D13 | | | | | | | | 18-0/8 | 1256 |
| SIG3 | H | A07B1 | 1-01 * | S | | D25 | | | | | 2 | | N | 6-7/8 | 1257 |
| SIG3 | H | C00J1 | 1-02 * | | | D24 | | | | | 1 | | N | 4-3/8 | 1257 |
| SIG3 | H | C02A1 | 1-03 * | | | D24 | | | | | 2 | | N | 8-5/8 | 1257 |
| SIG3 | H | E09P1 | 1-04 * | | | D09 | | | | | 1 | | N | 9-5/8 | 1257 |
| SIG3 | H | E21D1 | 1-05 * | | | D11 | | | | | 2 | | N | 5-1/8 | 1257 |
| SIG3 | H | E27T2 | 1-06 * | | | D11 | | | | | | | | 34-5/8 | 1257 |
| SIG3 | L | A05J1 | 1-01 * | S | | D25 | | | | | 1 | | N | 1-6/8 | 1258 |
| SIG3 | L | A07A1 | 1-02 * | | | D25 | | | | | 2 | | N | 6-5/8 | 1258 |
| SIG3 | L | E03R1 | 1-03 * | | | D25 | | | | | 1 | | N | 11-3/8 | 1258 |
| SIG3 | L | E16M1 | 1-04 * | | | D06 | | | | | | | | 19-6/8 | 1258 |
| SIG4 | H | B07M2 | 1-01 * | S | | D25 | | | | | 2 | | N | 4-1/8 | 1259 |
| SIG4 | H | C02D2 | 1-02 * | | | D24 | | | | | 1 | | N | 7-3/8 | 1259 |
| SIG4 | H | E09K1 | 1-03 * | S | | D25 | | | | | | | | 11-4/8 | 1259 |
| SIG4 | L | A03T2 | 1-01 * | S | | D24 | | | | | 1 | | N | 3-4/8 | 1260 |
| SIG4 | L | B07N2 | 1-02 * | S | | D25 | | | | | | | | 3-4/8 | 1260 |
| SIG5 | H | C07B1 | 1-01 * | S | | D25 | | | | | 2 | | N | 5-7/8 | 1261 |
| SIG5 | H | A06E1 | 1-02 * | | | D25 | | | | | 2 | | N | 4-1/8 | 1261 |
| SIG5 | H | B01J1 | 1-03 * | | | D05 | | | | | 2 | | N | 5-1/8 | 1261 |
| SIG5 | H | C08M1 | 1-04 * | | | D08 | | | | | 1 | | N | 7-5/8 | 1261 |
| SIG5 | H | E16J1 | 1-05 * | | | D25 | | | | | | | | 23-7/8 | 1261 |
| SIG5 | L | A05U1 | 1-01 * | S | | D25 | | | | | 2 | | N | 1-7/8 | 1262 |
| SIG5 | L | B06D2 | 1-02 * | | | D25 | | | | | 1 | | N | 2-5/8 | 1262 |
| SIG5 | L | C07A1 | 1-03 * | | | D25 | | | | | | | | 4-4/8 | 1262 |
| SIG5A | H | B06J2 | 1-01 * | S | | D25 | | | | | 1 | | N | 15 | 1263 |
| SIG5A | H | E20V1 | 1-02 * | | | D25 | | | | | 2 | | N | 6-1/8 | 1263 |
| SIG5A | H | E29L2 | 1-03 * | | | D13 | | | | | | | | 21-1/8 | 1263 |

DX118.U

WRAPD .V35(102)-1 03-JUN-77

15-NOV-77

PAGE 131

| DX118.U RUN NAME | A/P | PIN NAME | ORDER PIN | BAY # | Q | DRAW OPT | RV | RG | Y | X | Z | REMARKS | NC LENGTH FLAG | EXCEPTIONS | RUN NUMBER |
|---------------------|-----|-------------|--------------|-------|---|-------------|----|----|---|---|---|---------|-------------------|------------|---------------|
| SIG5A | L | E20U1 | 1-01 * | S | | D25 | | | | | 2 | | N | 2-7/8 | 1264 |
| SIG5A | L | F20P2 | 1-02 * | | | DXX | | | | | 1 | | N | 5-3/8 | 1264 |
| SIG5A | L | F31U1 | 1-03 * | | | D13 | | | | | | | | 9-2/8 | 1264 |
| SIG5A OR ERRSTA | L | E03R2 | 1-01 * | | | D09 | | | | | 2 | | N | 11-3/8 | 1265 |
| SIG5A OR ERRSTA | L | F20P1 | 1-02 * | | | D09 | | | | | 1 | | N | 0-4/8 | 1265 |
| SIG5A OR ERRSTA | L | F20S2 | 1-03 * | S | | D09 | | | | | | | | 11-7/8 | 1265 |
| SIG5B | L | C04J2 | 1-01 * | | | D25 | | | | | 2 | | N | 0-1/8 | 1266 |
| SIG5B | L | C05K1 | 1-02 * | | | D25 | | | | | 1 | | N | 21-6/8 | 1266 |
| SIG5B | L | F30U2 | 1-03 * | | | D13 | | | | | | | | 21-7/8 | 1266 |
| SIG5C | H | B20T2 | 1-01 * | | | DXX | | | | | 1 | | N | 0-1/8 | 1267 |
| SIG5C | H | E20U2 | 1-02 * | | | D13 | | | | | 2 | | N | 0-7/8 | 1267 |
| SIG5C | H | B03T2 | 1-03 * | | | D25 | | | | | 1 | | N | 1-5/8 | 1267 |
| SIG5C | H | C04D1 | 1-04 * | | | D25 | | | | | 2 | | N | 8-6/8 | 1267 |
| SIG5C | H | E16K1 | 1-05 * | S | | D25 | | | | | | | | 19-3/8 | 1267 |
| SIG5D | H | E06K2 | 1-01 * | | | DXX | | | | | 2 | | N | 12-1/8 | 1268 |
| SIG5D | H | E29M2 | 1-02 * | | | DXX | | | | | 1 | | N | 0-5/8 | 1268 |
| SIG5D | H | E29J2 | 1-03 * | | | DXX | | | | | | | | 12-6/8 | 1268 |
| SIG5D | L | E03R2 | 1-01 * | | | DXX | | | | | 1 | | N | 2-3/8 | 1269 |
| SIG5D | L | E06L2 | 1-02 * | | | DXX | | | | | | | | 2-3/8 | 1269 |
| SIG6 | H | A07K1 | 1-01 * | S | | D25 | | | | | 2 | | N | 6-5/8 | 1270 |
| SIG6 | H | C09K1 | 1-02 * | | | D06 | | | | | 1 | | N | 7-6/8 | 1270 |
| SIG6 | H | E17H2 | 1-03 * | | | D06 | | | | | 2 | | N | 0-5/8 | 1270 |
| SIG6 | H | E29D1 | 1-04 * | | | D13 | | | | | | | | 21-0/8 | 1270 |
| SIG6 | L | A04N1 | 1-01 * | S | | D25 | | | | | 2 | | N | 2-3/8 | 1271 |
| SIG6 | L | A07J1 | 1-02 * | | | D25 | | | | | 1 | | N | 11-1/8 | 1271 |
| SIG6 | L | E05R1 | 1-03 * | | | D25 | | | | | 2 | | N | 2-7/8 | 1271 |
| SIG6 | L | E02K1 | 1-04 * | | | D24 | | | | | | | | 16-3/8 | 1271 |
| SIG6A | H | B07R2 | 1-01 * | S | | D25 | | | | | 2 | | N | 10-3/8 | 1272 |
| SIG6A | H | E01E1 | 1-02 * | | | D05 | | | | | 1 | | N | 0-5/8 | 1272 |
| SIG6A | H | E01J1 | 1-03 * | | | D05 | | | | | 2 | | N | 0-5/8 | 1272 |
| SIG6A | H | E01M1 | 1-04 * | | | D05 | | | | | | | | 11-5/8 | 1272 |
| SIG6A | L | A24N2 | 1-01 * | | | D13 | | | | | 1 | | N | 11-7/8 | 1273 |
| SIG6A | L | B07P2 | 1-02 * | | | D25 | | | | | 2 | | N | 2 | 1273 |
| SIG6A | L | B06P2 | 1-03 * | S | | D25 | | | | | | | | 13-7/8 | 1273 |

| DX11B,U RUN NAME | WRAPD .V35(102)=1 A/P PIN ORDER PIN | 03-JUN-77 RAY - Q DRAW OPT | RV RG Y X Z | REMARKS | 15-NOV-77 | 15148 NC LENGTH FLAG | PAGE 140 EXCEPTIONS | RUN NUMBER |
|---------------------|--|-------------------------------|-------------|---------|-----------|----------------------------|------------------------|---------------|
| SIG68 | B01D1 | 1-01 * D05 | | | | N 5-1/8 | | 1274 |
| SIG68 | C07H2 | 1-02 * D25 | 1 | | | N 1-2/8 | | 1274 |
| SIG68 | C08R2 | 1-03 * D05 | 1 | | | N 6-1/8 | | 1274 |
| SIG68 | E05C1 | 1-04 * S D25 | | | | 12-4/8 | | 1274 |
| SIG68 | C01D2 | 1-01 * D05 | 1 | | | N 4-3/8 | | 1275 |
| SIG68 | C07M2 | 1-02 * S D25 | | | | 4-3/8 | | 1275 |
| SIG7 | D00E1 | 1-01 * S D25 | 2 | | | N 4-7/8 | | 1276 |
| SIG7 | B00P2 | 1-02 * D10 | 1 | | | N 1-5/8 | | 1276 |
| SIG7 | B00D2 | 1-03 * D10 | 2 | | | N 1 | | 1276 |
| SIG7 | B00D2 | 1-04 * D10 | 1 | | | N 1-5/8 | | 1276 |
| SIG7 | B00P2 | 1-05 * D10 | 2 | | | N 2-4/8 | | 1276 |
| SIG7 | B13P2 | 1-06 * D10 | 1 | | | N 1 | | 1276 |
| SIG7 | B14P2 | 1-07 * D10 | 2 | | | N 1-7/8 | | 1276 |
| SIG7 | B13D2 | 1-08 * D10 | 1 | | | N 1 | | 1276 |
| SIG7 | B14D2 | 1-09 * D10 | 2 | | | N 15-2/8 | | 1276 |
| SIG7 | B14D2 | 1-10 * D05 | 1 | | | N 1-6/8 | | 1276 |
| SIG7 | E27R2 | 1-11 * D10 | 2 | | | N 6-7/8 | | 1276 |
| SIG7 | E26H1 | 1-12 * D18 | 2 | | | 39-3/8 | | 1276 |
| SIG7 | F17R1 | | | | | | | 1276 |
| SIG7 | F17R1 | | | | | | | 1277 |
| SIG7 | A08H2 | 1-01 * S D25 | 1 | | | N 3-1/8 | | 1277 |
| SIG7 | B02A1 | 1-02 * D25 | 2 | | | N 9-5/8 | | 1277 |
| SIG7 | D09D1 | 1-03 * D25 | 1 | | | N 7-6/8 | | 1277 |
| SIG7 | B18E2 | 1-04 * D10 | 2 | | | N 1-2/8 | | 1277 |
| SIG7 | B19M1 | 1-05 * D10 | 1 | | | N 0-7/8 | | 1277 |
| SIG7 | E21M1 | 1-06 * D11 | 2 | | | N 1-3/8 | | 1277 |
| SIG7 | E22K2 | 1-07 * D11 | 1 | | | N 2-1/8 | | 1277 |
| SIG7 | E25H2 | 1-08 * D11 | | | | 34-1/8 | | 1277 |
| SIG7 | E25H2 | | | | | | | 1277 |
| SIG8 | B00P2 | 1-01 * 2 D10 | 2 | | | N 1 | | 1278 |
| SIG8 | B09P2 | 1-02 * D10 | 1 | | | N 1-1/8 | | 1278 |
| SIG8 | B09H2 | 1-03 * D10 | 2 | | | N 1 | | 1278 |
| SIG8 | B08H2 | 1-04 * D10 | 1 | | | N 5-3/8 | | 1278 |
| SIG8 | D09H1 | 1-05 * S D25 | 2 | | | N 9-7/8 | | 1278 |
| SIG8 | E16P1 | 1-06 * D18 | 1 | | | 23-5/8 | | 1278 |
| SIG8 | C22C1 | 1-07 * D18 | | | | | | 1278 |
| SIG8 | C22C1 | | | | | | | 1278 |
| SIG8 | A05M2 | 1-01 * S D25 | 2 | | | N 2-6/8 | | 1279 |
| SIG8 | B02B1 | 1-02 * D25 | 1 | | | N 3-7/8 | | 1279 |
| SIG8 | C03D2 | 1-03 * D25 | 2 | | | N 4-5/8 | | 1279 |
| SIG8 | D09F1 | 1-04 * D25 | 1 | | | N 6-2/8 | | 1279 |
| SIG8 | E17M1 | 1-05 * D06 | 2 | | | N 3-5/8 | | 1279 |
| SIG8 | E22H2 | 1-06 * D11 | 1 | | | N 0-7/8 | | 1279 |
| SIG8 | B19R1 | 1-07 * D11 | 2 | | | N 1-1/8 | | 1279 |
| SIG8 | B19K2 | 1-08 * D10 | 1 | | | N 0-4/8 | | 1279 |
| SIG8 | E18K1 | 1-09 * D11 | 2 | | | N 0-4/8 | | 1279 |
| SIG8 | B19H2 | 1-10 * D10 | 1 | | | N 1-3/8 | | 1279 |
| SIG8 | B19A1 | 1-11 * D11 | | | | 33-4/8 | | 1279 |
| SIG8 | B19A1 | | | | | | | 1279 |

| DX11B,U RUN NAME | WRAPD .V35(102)=1 A/P PIN ORDER PIN | 03-JUN-77 RAY - Q DRAW OPT | RV RG Y X Z | REMARKS | 15-NOV-77 | 15148 NC LENGTH FLAG | PAGE 141 EXCEPTIONS | RUN NUMBER |
|---------------------|--|-------------------------------|-------------|---------|-----------|----------------------------|------------------------|---------------|
| SIG8 OR NDCRSR | B13E2 | 1-01 * D10 | 2 | | | N 1 | | 1280 |
| SIG8 OR NDCRSR | B14E2 | 1-02 * D10 | 1 | | | N 1-3/8 | | 1280 |
| SIG8 OR NDCRSR | B14N2 | 1-03 * D10 | 2 | | | N 1 | | 1280 |
| SIG8 OR NDCRSR | B13M2 | 1-04 * D10 | 1 | | | N 7-1/8 | | 1280 |
| SIG8 OR NDCRSR | C03F2 | 1-05 * S D25 | | | | 10-4/8 | | 1280 |
| SIG8 OR NDCRSR | C03F2 | | | | | | | 1280 |
| SIG9 | B02P1 | 1-01 * D25 | 1 | | | N 4-1/8 | | 1281 |
| SIG9 | B07F2 | 1-02 * D25 | 2 | | | N 3-1/8 | | 1281 |
| SIG9 | C08E2 | 1-03 * D13 | | | | 7-2/8 | | 1281 |
| SIG9 | C08E2 | | | | | | | 1281 |
| SIG9 | B04S1 | 1-01 * D25 | 1 | | | N 2-7/8 | | 1282 |
| SIG9 | B07E2 | 1-02 * D25 | 2 | | | N 2-3/8 | | 1282 |
| SIG9 | A08R1 | 1-03 * D13 | 1 | | | N 14-2/8 | | 1282 |
| SIG9 | E24D1 | 1-04 * D11 | | | | 19-4/8 | | 1282 |
| SIG9 | E24D1 | | | | | | | 1282 |
| SIG9 | A08L2 | 1-01 * S D25 | 1 | | | N 4-3/8 | | 1283 |
| SIG9 | B05K1 | 1-02 * S D25 | | | | 4-3/8 | | 1283 |
| SIG9 | B05K1 | | | | | | | 1283 |
| SIG9 | A07R2 | 1-01 * S D25 | 1 | | | N 16-2/8 | | 1284 |
| SIG9 | E29H2 | 1-02 * D13 | 2 | | | N 2-1/8 | | 1284 |
| SIG9 | F30C1 | 1-03 * D13 | 1 | | | N 1 | | 1284 |
| SIG9 | F31C1 | 1-04 * D13 | 2 | | | N 1-5/8 | | 1284 |
| SIG9 | F31M2 | 1-05 * D13 | 1 | | | N 1 | | 1284 |
| SIG9 | F30M2 | 1-06 * D13 | | | | 22-0/8 | | 1284 |
| SIG9 | F30M2 | | | | | | | 1284 |
| SOSIEN(1) | D12J1 | 1-01 * D19 | 1 | | | N 10 | | 1285 |
| SOSIEN(1) | F21R1 | 1-02 * D21 | 2 | | | N 2-2/8 | | 1285 |
| SOSIEN(1) | F17R2 | 1-03 * S D21 | | | | 12-2/8 | | 1285 |
| SOSIEN(1) | F17R2 | | | | | | | 1285 |
| SPARE 1 | J07H2 | 1-01 * D27 | 1 | | | N 1 | | 1286 |
| SPARE 1 | J08H2 | 1-02 * D27 | | | | 1-0/8 | | 1286 |
| SPARE 1 | J08H2 | | | | | | | 1286 |
| SPARE 2 | J07S2 | 1-01 * D27 | 1 | | | N 1 | | 1287 |
| SPARE 2 | J08S2 | 1-02 * D27 | | | | 1-0/8 | | 1287 |
| SPARE 2 | J08S2 | | | | | | | 1287 |
| SPARE 3 | H07H2 | 1-01 * D27 | 1 | | | N 1 | | 1288 |
| SPARE 3 | H08H2 | 1-02 * D27 | | | | 1-0/8 | | 1288 |
| SPARE 3 | H08H2 | | | | | | | 1288 |
| SPARE 4 | H07P2 | 1-01 * D27 | 1 | | | N 1 | | 1289 |
| SPARE 4 | H08P2 | 1-02 * D27 | | | | 1-0/8 | | 1289 |
| SPARE 4 | H08P2 | | | | | | | 1289 |
| SPARE 5 | J12H2 | 1-01 * D27 | 1 | | | N 1-4/8 | | 1290 |
| SPARE 5 | J14H2 | 1-02 * D27 | | | | 1-4/8 | | 1290 |
| SPARE 5 | J14H2 | | | | | | | 1290 |

132

| DX118.U RUN NAME | WRAPD .V35(102)-1 A/P PIN ORDER NAME | BAY - O ORDER PIN | Q DRAW OPT | RV RG Y X Z | REMARKS | 15-NOV-77 | 15148 NC LENGTH FLAG | PAGE 142 EXCEPTIONS | RUN NUMBER |
|---------------------|---|----------------------|---------------|-------------|---------|-----------|----------------------------|------------------------|---------------|
| SPARE 6 | J1252 | 1-01 * | D27 | 1 | | | N 1-4/8 | | 1291 |
| SPARE 6 | J1452 | 1-02 * | D27 | | | | 1-4/8 | | 1291 |
| SPARE 7 | H12H2 | 1-01 * | D27 | 1 | | | N 1-4/8 | | 1292 |
| SPARE 7 | H14H2 | 1-02 * | D27 | | | | 1-4/8 | | 1292 |
| SPARE 8 | H12P2 | 1-01 * | D27 | 1 | | | N 1-4/8 | | 1293 |
| SPARE 8 | H14P2 | 1-02 * | D27 | | | | 1-4/8 | | 1293 |
| SPCL | H12V2 | 1-01 * | DXX | 1 | | | N 1-4/8 | | 1294 |
| SPCL | H14V2 | 1-02 * | DXX | | | | 1-4/8 | | 1294 |
| SRDB | E06J2 | 1-01 * | D09 | 1 | | | N 1-2/8 | | 1295 |
| SRDB | E08M1 | 1-02 * | D09 | 2 | | | N 0-5/8 | | 1295 |
| SRDB | E08R2 | 1-03 * | D09 | 1 | | | N 0-5/8 | | 1295 |
| SRDB | E00U2 | 1-04 * | D09 | 2 | | | N 0-5/8 | | 1295 |
| SRDB | E08R1 | 1-05 * | D09 | 1 | | | N 0-5/8 | | 1295 |
| SRDB | E08M2 | 1-06 * | D09 | 2 | | | N 0-5/8 | | 1295 |
| SRDB | E08J2 | 1-07 * | D09 | 1 | | | N 0-4/8 | | 1295 |
| SRDB | E08J1 | 1-08 * | D09 | 2 | | | N 1-2/8 | | 1295 |
| SRDB | E08B1 | 1-09 * | D09 | | | | 6-1/8 | | 1295 |
| SRDB | E03N2 | 1-01 * | DXX | 2 | | | N 2-3/8 | | 1296 |
| SRDB | E06H2 | 1-02 * | D09 | 1 | | | N 0-5/8 | | 1296 |
| SRDB | E07D1 | 1-03 * | D09 | | | | 3-0/8 | | 1296 |
| SRND | A06H2 | 1-01 * | D25 | 2 | | | N 3-1/8 | | 1297 |
| SRND | B05A1 | 1-02 * | D25 | 1 | | | N 0-5/8 | | 1297 |
| SRND | B05D1 | 1-03 * | D25 | 2 | | | N 4-1/8 | | 1297 |
| SRND | C03N2 | 1-04 * | D24 | 1 | | | N 14-7/8 | | 1297 |
| SRND | E25J1 | 1-05 * | D11 | | | | 22-6/8 | | 1297 |
| SRNDEN | E06F2 | 1-01 * | D09 | 1 | | | N 1-7/8 | | 1300 |
| SRNDEN | E09C1 | 1-02 * | D09 | 2 | | | N 1 | | 1300 |
| SRNDEN | E10C1 | 1-03 * | D09 | 1 | | | N 1-5/8 | | 1300 |
| SRNDEN | E10M2 | 1-04 * | D09 | 2 | | | N 1 | | 1300 |
| SRNDEN | E09M2 | 1-05 * | D09 | 1 | | | 5-4/8 | | 1300 |
| SRNDEN | E05S1 | 1-01 * | D09 | 2 | | | N 2-2/8 | | 1309 |
| SRNDEN | E06E2 | 1-02 * | D09 | 1 | | | N 4-5/8 | | 1309 |
| SRNDEN | E14A1 | 1-03 * | D09 | | | | 6-7/8 | | 1309 |

| DX118.U RUN NAME | WRAPD .V35(102)-1 A/P PIN ORDER NAME | BAY - O ORDER PIN | Q DRAW OPT | RV RG Y X Z | REMARKS | 15-NOV-77 | 15148 NC LENGTH FLAG | PAGE 143 EXCEPTIONS | RUN NUMBER |
|---------------------|---|----------------------|---------------|-------------|---------|-----------|----------------------------|------------------------|---------------|
| SRNDH | B05C1 | 1-01 * | S | D25 | | | N 5-5/8 | | 1300 |
| SRNDH | C07S2 | 1-02 * | D09 | 1 | | | N 5-3/8 | | 1300 |
| SRNDH | E09D2 | 1-03 * | D09 | 1 | | | N 1 | | 1300 |
| SRNDH | E10D2 | 1-04 * | D09 | 2 | | | N 1-4/8 | | 1300 |
| SRNDH | E10N2 | 1-05 * | D09 | 1 | | | N 1 | | 1300 |
| SRNDH | E09N2 | 1-06 * | D09 | | | | 14-4/8 | | 1300 |
| SRNDH | C07T2 | 1-01 * | S | D25 | | | N 5-2/8 | | 1301 |
| SRNDH | E14B1 | 1-02 * | D09 | | | | 5-2/8 | | 1301 |
| SRNDL | B05F1 | 1-01 * | S | D25 | | | N 5-3/8 | | 1302 |
| SRNDL | C07U2 | 1-02 * | D09 | 1 | | | N 1 | | 1302 |
| SRNDL | E09E2 | 1-03 * | D09 | 2 | | | N 1-4/8 | | 1302 |
| SRNDL | E10E2 | 1-04 * | D09 | 1 | | | N 1 | | 1302 |
| SRNDL | E10P2 | 1-05 * | D09 | 2 | | | N 1 | | 1302 |
| SRNDL | E09P2 | 1-06 * | D09 | | | | 14-0/8 | | 1302 |
| SRNDL | C07V2 | 1-01 * | S | D25 | | | N 5-1/8 | | 1303 |
| SRNDL | E14C1 | 1-02 * | D09 | | | | 5-1/8 | | 1303 |
| SRSO | A07L2 | 1-01 * | S | D25 | | | N 11-3/8 | | 1304 |
| SRSO | E09F2 | 1-02 * | D09 | 2 | | | N 1 | | 1304 |
| SRSO | E10F2 | 1-03 * | D09 | 1 | | | N 1-4/8 | | 1304 |
| SRSO | E10R2 | 1-04 * | D09 | 2 | | | N 1 | | 1304 |
| SRSO | E09R2 | 1-05 * | D09 | | | | 14-7/8 | | 1304 |
| SRSO | B02N1 | 1-01 * | S | D25 | | | N 4-7/8 | | 1305 |
| SRSO | A07K2 | 1-02 * | D09 | 1 | | | N 13-5/8 | | 1305 |
| SRSO | E14D1 | 1-03 * | D09 | | | | 18-4/8 | | 1305 |
| SRV IN | J11P2 | 1-01 * | DXX | 2 | | | N 1 | | 1306 |
| SRV IN | J12P2 | 1-02 * | DXX | 1 | | | N 1-4/8 | | 1306 |
| SRV IN | J14P2 | 1-03 * | DXX | | | | 2-4/8 | | 1306 |
| SRV OUT | J09N2 | 1-01 * | DXX | 1 | | | N 1-7/8 | | 1307 |
| SRV OUT | J12N1 | 1-02 * | DXX | 2 | | | N 1-4/8 | | 1307 |
| SRV OUT | J14N1 | 1-03 * | DXX | | | | 3-3/8 | | 1307 |
| SRVI(0) | B04P1 | 1-01 * | D25 | 2 | | | N 9-1/8 | | 1308 |
| SRVI(0) | E02S2 | 1-02 * | D24 | 1 | | | N 10-5/8 | | 1308 |
| SRVI(0) | F19J1 | 1-03 * | D27 | 2 | | | N 3-0/8 | | 1308 |
| SRVI(0) | E23N1 | 1-04 * | D11 | 1 | | | N 5-3/8 | | 1308 |
| SRVI(0) | E30K2 | 1-05 * | DXX | 2 | | | N 0-1/8 | | 1308 |
| SRVI(0) | E32J2 | 1-06 * | DXX | 1 | | | N 0-1/8 | | 1308 |
| SRVI(0) | E32H2 | 1-07 * | DXX | 2 | | | N 2-5/8 | | 1308 |
| SRVI(0) | E20N1 | 1-08 * | D13 | 1 | | | N 7-3/8 | | 1308 |
| SRVI(0) | C20S2 | 1-09 * | D13 | | | | 38-7/8 | | 1308 |

| DX118.U RUN NAME | WRAPD .V35(102)-1 A/P PIN ORDER NAME | 03-JUN-77 BAY - O PIN ORDER | DRAW RV RG Y OPT | REMARKS X Z | 15-NOV-77 | 15148 NC LENGTH EXCEPTIONS FLAG | PAGE 144 | RUN NUMBER |
|---------------------|---|-----------------------------------|---------------------|----------------|-----------|---------------------------------------|----------|---------------|
| SRVI(1) | A31J2 | A06C1 | 1-01 * | 2 | | N 13-7/8 | | 1309 |
| SRVI(1) | A06C1 | A06P2 | 1-02 * | | | N 1-7/8 | | 1309 |
| SRVI(1) | E07L2 | E07L2 | 1-03 * | | | N 11-1/8 | | 1309 |
| SRVI(1) | E07L2 | C20R2 | 1-04 * | H | | N 10-7/8 | | 1309 |
| SRVI(1) | F21P1 | J11U2 | 1-05 * | | | N 8-3/8 | | 1309 |
| SRVI(1) | J11U2 | | 1-06 * | | | N 9-1/8 | | 1309 |
| SRVI(1) | | | 1-07 * | | | 55-2/8 | | 1309 |
| SRVO | C19F2 | J09M2 | 1-01 * | H | D12 | 19-3/8 | | 1310 |
| SRVO | J09M2 | | 1-02 * | | DXX | 19-3/8 | | 1310 |
| SRVO(0) | A04B1 | | 1-01 * | | D25 | N 4-3/8 | | 1311 |
| SRVO(0) | B04L2 | | 1-02 * | | D25 | N 7-1/8 | | 1311 |
| SRVO(0) | E05A1 | | 1-03 * | | D24 | N 4-3/8 | | 1311 |
| SRVO(0) | C05N1 | | 1-04 * | | D12 | N 7-7/8 | | 1311 |
| SRVO(0) | C19K2 | | 1-05 * | S | D12 | 23-6/8 | | 1311 |
| SRVO(0) | | | | | | | | 1311 |
| SRVO(1) | A31K1 | | 1-01 * | | D22 | N 11-3/8 | | 1312 |
| SRVO(1) | E30M2 | | 1-02 * | | D13 | N 8-1/8 | | 1312 |
| SRVO(1) | D19S1 | | 1-03 * | | D19 | N 4-3/8 | | 1312 |
| SRVO(1) | C19J2 | | 1-04 * | S | D12 | 23-7/8 | | 1312 |
| SRVO(1) | | | | | | | | 1312 |
| SSP | E27F2 | | 1-01 * | | D20 | N 7-1/8 | | 1313 |
| SSP | F19M1 | | 1-02 * | | D20 | 7-1/8 | | 1313 |
| SSP | | | | | | | | 1313 |
| SST | B32M2 | | 1-01 * | | D20 | N 19-5/8 | | 1314 |
| SST | D02D2 | | 1-02 * | | D20 | N 0-1/8 | | 1314 |
| SST | D02E2 | | 1-03 * | | D20 | N 1 | | 1314 |
| SST | D02K2 | | 1-04 * | | D20 | N 6-6/8 | | 1314 |
| SST | F02U2 | | 1-05 * | S | D20 | 27-4/8 | | 1314 |
| SST | | | | | | | | 1314 |
| SST | D02F2 | | 1-01 * | | D20 | N 0-1/8 | | 1315 |
| SST | L D02H2 | | 1-02 * | | D20 | N 0-1/8 | | 1315 |
| SST | L D02J2 | | 1-03 * | | D20 | N 7 | | 1315 |
| SST | L F02V2 | | 1-04 * | S | D20 | 7-2/8 | | 1315 |
| SST | | | | | | | | 1315 |
| SSTF(0) | B32N2 | | 1-01 * | | D20 | N 0-5/8 | | 1316 |
| SSTF(0) | B32S2 | | 1-02 * | S | D20 | 0-5/8 | | 1316 |
| SSTF(0) | | | | | | | | 1316 |
| SSTF(1) | B32R2 | | 1-01 * | S | D20 | N 9-5/8 | | 1317 |
| SSTF(1) | E27E2 | | 1-02 * | | DXX | 9-5/8 | | 1317 |
| SSTF(1) | | | | | | | | 1317 |
| SSYN | B25A1 | | 1-01 * | | D18 | N 6-1/8 | | 1318 |
| SSYN | D26A1 | | 1-02 * | | D18 | N 2-4/8 | | 1318 |
| SSYN | D29M1 | | 1-03 * | S | D18 | 0-5/8 | | 1318 |
| SSYN | | | | | | | | 1318 |

| DX118.U RUN NAME | WRAPD .V35(102)-1 A/P PIN ORDER NAME | 03-JUN-77 BAY - O PIN ORDER | DRAW RV RG Y OPT | REMARKS X Z | 15-NOV-77 | 15148 NC LENGTH EXCEPTIONS FLAG | PAGE 145 | RUN NUMBER |
|---------------------|---|-----------------------------------|---------------------|----------------|-----------|---------------------------------------|----------|---------------|
| SSYN | B25B1 | | 1-01 * | S | D18 | N 3-3/8 | | 1319 |
| SSYN | C26C1 | | 1-02 * | | D18 | 3-3/8 | | 1319 |
| SSYN | | | | | | | | 1319 |
| STA IN | J11D2 | | 1-01 * | | DXX | N 1-2/8 | | 1320 |
| STA IN | J12K2 | | 1-02 * | | DXX | N 1-4/8 | | 1320 |
| STA IN | J14K2 | | 1-03 * | | DXX | 2-6/8 | | 1320 |
| STAI EN | A09N1 | | 1-01 * | S | D25 | N 7-5/8 | | 1321 |
| STAI EN | C05R2 | | 1-02 * | | D25 | N 8-1/8 | | 1321 |
| STAI EN | E14R2 | | 1-03 * | | D13 | 15-6/8 | | 1321 |
| STAI EN | | | | | | | | 1321 |
| STAI(0) | A06L1 | | 1-01 * | | D25 | N 1-1/8 | | 1322 |
| STAI(0) | A05F1 | | 1-02 * | | D25 | N 12-1/8 | | 1322 |
| STAI(0) | E02R2 | | 1-03 * | | D24 | N 6-3/8 | | 1322 |
| STAI(0) | E12D1 | | 1-04 * | | D24 | N 5-2/8 | | 1322 |
| STAI(0) | F19E1 | | 1-05 * | | D27 | N 9-5/8 | | 1322 |
| STAI(0) | B19U2 | | 1-06 * | | D13 | N 3-5/8 | | 1322 |
| STAI(0) | C21B2 | | 1-07 * | S | D13 | 38-1/8 | | 1322 |
| STAI(0) | | | | | | | | 1322 |
| STAI(1) | A31H2 | | 1-01 * | | D22 | N 14-3/8 | | 1323 |
| STAI(1) | A04E1 | | 1-02 * | | D25 | N 4-1/8 | | 1323 |
| STAI(1) | B06D1 | | 1-03 * | | D25 | N 11-7/8 | | 1323 |
| STAI(1) | C21R2 | C21R2 | 1-04 * | H | D13 | 17-7/8 | | 1323 |
| STAI(1) | J11F1 | | 1-05 * | | DXX | 48-2/8 | | 1323 |
| STAI(1) | | | | | | | | 1323 |
| STAMOD(0) | C04N2 | | 1-01 * | | DXX | N 6-5/8 | | 1324 |
| STAMOD(0) | C16K2 | | 1-02 * | | DXX | 6-5/8 | | 1324 |
| STAMOD(0) | | | | | | | | 1324 |
| STAMOD(1) | C16J2 | | 1-01 * | S | D09 | N 3-7/8 | | 1325 |
| STAMOD(1) | D16N1 | | 1-02 * | | D19 | N 9-7/8 | | 1325 |
| STAMOD(1) | B09F1 | | 1-03 * | | D10 | N 11-5/8 | | 1325 |
| STAMOD(1) | A29V1 | | 1-04 * | | D22 | N 13-3/8 | | 1325 |
| STAMOD(1) | F30N1 | | 1-05 * | | D13 | 38-6/8 | | 1325 |
| STAMOD(1) | | | | | | | | 1325 |
| STB CUSR | C14E2 | | 1-01 * | | D09 | N 1 | | 1326 |
| STB CUSR | C15E2 | | 1-02 * | | D09 | N 1 | | 1326 |
| STB CUSR | C16E2 | | 1-03 * | | D09 | N 10-1/8 | | 1326 |
| STB CUSR | E05S2 | | 1-04 * | S | D09 | 12-1/8 | | 1326 |
| STB CUSR | | | | | | | | 1326 |
| STB CUSR | C13E2 | | 1-01 * | | D09 | N 1 | | 1327 |
| STB CUSR | C12E2 | | 1-02 * | | D09 | N 1 | | 1327 |
| STB CUSR | C11E2 | | 1-03 * | | D09 | N 1 | | 1327 |
| STB CUSR | C10E2 | | 1-04 * | | D09 | N 9-5/8 | | 1327 |
| STB CUSR | E05V2 | | 1-05 * | S | D09 | 12-5/8 | | 1327 |
| STB CUSR | | | | | | | | 1327 |

134

| DX11B,U RUN NAME | WRAPD .V35(102)-1 A/P PIN ORDER NAME | 03-JUN-77 BAY - Q DRAW ORDER | RV RG Y X Z | REMARKS | 15-NOV-77 | 15148 NC LENGTH EXCEPTIONS FLAG | PAGE 146 | RUN NUMBER |
|---------------------|---|---------------------------------|-------------|---------|-----------|---------------------------------------|----------|---------------|
| STKSTA(0) | C15E1 | 1-01 * 8 | | | | N 7 | | 1328 |
| STKSTA(0) | A05R2 | 1-02 * 8 | | | | N 1-7/8 | | 1328 |
| STKSTA(0) | A03L2 | 1-03 * 8 | | | | N 0-4/8 | | 1328 |
| STKSTA(0) | A03L1 | 1-04 * 8 | | | | N 17-6/8 | | 1328 |
| STKSTA(0) | E19M1 | 1-05 * 8 | | | | N 27-1/8 | | 1328 |
| STKSTA(1) | A30M1 | 1-01 * 2 | | | | N 11-3/8 | | 1329 |
| STKSTA(1) | A06R2 | 1-02 * 8 | | | | N 3-7/8 | | 1329 |
| STKSTA(1) | B08U1 | 1-03 * 8 | | | | N 2-5/8 | | 1329 |
| STKSTA(1) | C11J1 | 1-04 * 8 | | | | N 3-3/8 | | 1329 |
| STKSTA(1) | C06N1 | 1-05 * 8 | | | | N 3-4/8 | | 1329 |
| STKSTA(1) | D02J1 | 1-06 * 8 | | | | N 7-1/8 | | 1329 |
| STKSTA(1) | D15M1 | 1-07 * 8 | | | | N 3-7/8 | | 1329 |
| STKSTA(1) | C15F1 | 1-08 * 8 | | | | N 35-6/8 | | 1329 |
| STKSTB(1) | A29B1 | 1-01 * 8 | | | | N 13-1/8 | | 1330 |
| STKSTB(1) | D11B2 | 1-02 * 8 | | | | N 3-7/8 | | 1330 |
| STKSTB(1) | C11M1 | 1-03 * 8 | | | | N 17-0/8 | | 1330 |
| STOP | B17S2 | 1-01 * 2 | | | | N 3-7/8 | | 1331 |
| STOP | B10R2 | 1-02 * 8 | | | | N 2-1/8 | | 1331 |
| STOP | C09D2 | 1-03 * 8 | | | | N 5-7/8 | | 1331 |
| STOP | D02P2 | 1-04 * 8 | | | | N 9-7/8 | | 1331 |
| STOP | E18H1 | 1-05 * 8 | | | | N 6-1/8 | | 1331 |
| STOP | F21U2 | 1-06 * 8 | | | | N 0-1/8 | | 1331 |
| STOP | F21T2 | 1-07 * 8 | | | | N 1-3/8 | | 1331 |
| STOP | F23L1 | 1-08 * 8 | | | | N 29-3/8 | | 1331 |
| STOP | F21M1 | 1-01 * 8 | | | | N 0-5/8 | | 1332 |
| STOP | F21R2 | 1-02 * 8 | | | | N 1 | | 1332 |
| STOP | F21V2 | 1-03 * 8 | | | | N 1-5/8 | | 1332 |
| STOP OR PDPTO | C01B1 | 1-01 * 8 | | | | N 6-1/8 | | 1333 |
| STOP OR PDPTO | A03H2 | 1-02 * 8 | | | | N 16-4/8 | | 1333 |
| STOP OR PDPTO | E23M2 | 1-03 * 8 | | | | N 3-7/8 | | 1333 |
| STOP OR PDPTO | F21L2 | 1-04 * 8 | | | | N 0-1/8 | | 1333 |
| STOP OR PDPTO | F21M2 | 1-05 * 8 | | | | N 1 | | 1333 |
| STOP OR PDPTO | F21S2 | 1-06 * 8 | | | | N 27-5/8 | | 1333 |
| STOP OR PDPTO | B03P2 | 1-01 * 8 | | | | N 1-5/8 | | 1334 |
| STOP OR PDPTO | C04A1 | 1-02 * 8 | | | | N 9-2/8 | | 1334 |
| STOP OR PDPTO | E14H2 | 1-03 * 8 | | | | N 5-4/8 | | 1334 |
| STOP OR PDPTO | F21N2 | 1-04 * 8 | | | | N 16-3/8 | | 1334 |
| STR SYNC(1) | B32M1 | 1-01 * 8 | | | | N 8-1/8 | | 1335 |
| STR SYNC(1) | D27R2 | 1-02 * 8 | | | | N 8-1/8 | | 1335 |

| DX11B,U RUN NAME | WRAPD .V35(102)-1 A/P PIN ORDER NAME | 03-JUN-77 BAY - Q DRAW ORDER | RV RG Y X Z | REMARKS | 15-NOV-77 | 15148 NC LENGTH EXCEPTIONS FLAG | PAGE 147 | RUN NUMBER |
|---------------------|---|---------------------------------|-------------|---------|-----------|---------------------------------------|----------|---------------|
| SUP OUT | J10E2 | 1-01 * 8 | | | | N 1-6/8 | | 1336 |
| SUP OUT | J12P1 | 1-02 * 8 | | | | N 1-4/8 | | 1336 |
| SUP OUT | J14P1 | 1-03 * 8 | | | | N 3-2/8 | | 1336 |
| SUP OUT | J10D2 | 1-01 * 8 | | | | N 19-3/8 | | 1337 |
| SUP OUT | J10D2 | 1-02 * 8 | | | | N 19-3/8 | | 1337 |
| SUP(0) | A03M1 | 1-01 * 8 | | | | N 5-5/8 | | 1338 |
| SUP(0) | C01E2 | 1-02 * 8 | | | | N 0-5/8 | | 1338 |
| SUP(0) | C01J2 | 1-03 * 8 | | | | N 3-5/8 | | 1338 |
| SUP(0) | D02M1 | 1-04 * 8 | | | | N 13-5/8 | | 1338 |
| SUP(0) | C22K2 | 1-05 * 8 | | | | N 23-4/8 | | 1338 |
| SUP(1) | A31F1 | 1-01 * 8 | | | | N 17-5/8 | | 1339 |
| SUP(1) | B02J2 | 1-02 * 8 | | | | N 5-7/8 | | 1339 |
| SUP(1) | D02H1 | 1-03 * 8 | | | | N 5-7/8 | | 1339 |
| SUP(1) | E07S1 | 1-04 * 8 | | | | N 10-3/8 | | 1339 |
| SUP(1) | D22S1 | 1-05 * 8 | | | | N 4-3/8 | | 1339 |
| SUP(1) | C22J2 | 1-06 * 8 | | | | N 44-1/8 | | 1339 |
| SYNC(0) | B21K1 | 1-01 * 8 | | | | N 9-5/8 | | 1340 |
| SYNC(0) | A08H2 | 1-02 * 8 | | | | N 1-7/8 | | 1340 |
| SYNC(0) | A05F2 | 1-03 * 8 | | | | N 4-3/8 | | 1340 |
| SYNC(0) | B03E1 | 1-04 * 8 | | | | N 0-4/8 | | 1340 |
| SYNC(0) | B03E2 | 1-05 * 8 | | | | N 0-5/8 | | 1340 |
| SYNC(0) | B04J1 | 1-06 * 8 | | | | N 3 | | 1340 |
| SYNC(0) | C06A1 | 1-07 * 8 | | | | N 1-5/8 | | 1340 |
| SYNC(0) | C06D1 | 1-08 * 8 | | | | N 0-4/8 | | 1340 |
| SYNC(0) | C05F2 | 1-09 * 8 | | | | N 1-7/8 | | 1340 |
| SYNC(0) | C05U2 | 1-10 * 8 | | | | N 1-1/8 | | 1340 |
| SYNC(0) | C06T2 | 1-11 * 8 | | | | N 3-7/8 | | 1340 |
| SYNC(0) | D09P1 | 1-12 * 8 | | | | N 4-5/8 | | 1340 |
| SYNC(0) | E03B1 | 1-13 * 8 | | | | N 6-3/8 | | 1340 |
| SYNC(0) | E14U2 | 1-14 * 8 | | | | N 1-7/8 | | 1340 |
| SYNC(0) | E15K2 | 1-15 * 8 | | | | N 5-7/8 | | 1340 |
| SYNC(0) | E25N2 | 1-16 * 8 | | | | N 47-6/8 | | 1340 |

| DX11B.U | WRAPD .V35(102)-1 | 03-JUN-77 | 15-NOV-77 | 15148 | PAGE 148 | RUN |
|----------|-------------------|-----------|-----------|----------------|------------|--------|
| RUN NAME | A/P PIN ORDER PIN | BAY ORDER | DRAW OPT | NC LENGTH FLAG | EXCEPTIONS | NUMBER |
| SYNC(1) | H A05H1 | 1-01 * | D25 | N 0-5/8 | | 1341 |
| SYNC(1) | H A05I1 | 1-02 * | D25 | N 0-4/8 | | 1341 |
| SYNC(1) | H A05U2 | 1-03 * | D25 | N 1 | | 1341 |
| SYNC(1) | H A06K1 | 1-04 * | D07 | N 3-1/8 | | 1341 |
| SYNC(1) | H B06M2 | 1-05 * | D25 | N 2-7/8 | | 1341 |
| SYNC(1) | H C06N2 | 1-06 * | D11 | N 4-7/8 | | 1341 |
| SYNC(1) | H D06R1 | 1-07 * | DXX | N 2-3/8 | | 1341 |
| SYNC(1) | H E07F2 | 1-08 * | D05 | N 2-7/8 | | 1341 |
| SYNC(1) | H E03H1 | 1-09 * | D24 | N 1 | | 1341 |
| SYNC(1) | H E03M1 | 1-10 * | D25 | N 6-2/8 | | 1341 |
| SYNC(1) | H E14M2 | 1-11 * | D25 | N 1-3/8 | | 1341 |
| SYNC(1) | H E15F1 | 1-12 * | D11 | N 3-6/8 | | 1341 |
| SYNC(1) | H D19F1 | 1-13 * | D19 | N 12 | | 1341 |
| SYNC(1) | H A32K1 | 1-14 * | D22 | N 42-5/8 | | 1341 |
| YSRST(0) | H A09I1 | 1-01 * | D05 | N 14-3/8 | | 1342 |
| YSRST(0) | H E07U2 | 1-02 * | D24 | N 11-4/8 | | 1342 |
| YSRST(0) | H C22M1 | 1-03 * | D05 | N 25-7/8 | | 1342 |
| YSRST(1) | H A29D1 | 1-01 * | D22 | N 11-7/8 | | 1343 |
| YSRST(1) | H B14R1 | 1-02 * | D10 | N 13-1/8 | | 1343 |
| YSRST(1) | H E03R1 | 1-03 * | D24 | N 3-5/8 | | 1343 |
| YSRST(1) | H E07E2 | 1-04 * | D05 | N 6 | | 1343 |
| YSRST(1) | H E18E2 | 1-05 * | D06 | N 3-4/8 | | 1343 |
| YSRST(1) | H D22S2 | 1-06 * | D19 | N 3-5/8 | | 1343 |
| YSRST(1) | H C22N1 | 1-07 * | D05 | N 41-6/8 | | 1343 |
| TESTIO | H B06P1 | 1-01 * | DXX | N 0-1/8 | | 1344 |
| TESTIO | H B08R1 | 1-02 * | DXX | N 2-7/8 | | 1344 |
| TESTIO | H C07J2 | 1-03 * | DXX | N 3-0/8 | | 1344 |
| TESTIO | L A04S2 | 1-01 * | D24 | N 4-4/8 | | 1345 |
| TESTIO | L C04E2 | 1-02 * | D25 | N 2-3/8 | | 1345 |
| TESTIO | L C03U2 | 1-03 * | D25 | N 3-4/8 | | 1345 |
| TESTIO | L C07H2 | 1-04 * | D24 | N 7-7/8 | | 1345 |
| TESTIO | L B18M2 | 1-05 * | D06 | N 18-2/8 | | 1345 |
| TSFF(0) | H A09R1 | 1-01 * | DXX | N 9-5/8 | | 1346 |
| TSFF(0) | H B24F1 | 1-02 * | D20 | N 5-3/8 | | 1346 |
| TSFF(0) | H B32S1 | 1-03 * | D20 | N 0-5/8 | | 1346 |
| TSFF(0) | H B32V2 | 1-04 * | D20 | N 15-5/8 | | 1346 |
| TSFF(1) | H B32U2 | 1-01 * | D20 | N 4-5/8 | | 1347 |
| TSFF(1) | H A32H1 | 1-02 * | D22 | N 13-5/8 | | 1347 |
| TSFF(1) | H D21F1 | 1-03 * | D19 | N 6-7/8 | | 1347 |
| TSFF(1) | H E12D2 | 1-04 * | D24 | N 25-1/8 | | 1347 |

| DX11B.U | WRAPD .V35(102)-1 | 03-JUN-77 | 15-NOV-77 | 15148 | PAGE 149 | RUN |
|--------------|-------------------|-----------|-----------|----------------|------------|--------|
| RUN NAME | A/P PIN ORDER PIN | BAY ORDER | DRAW OPT | NC LENGTH FLAG | EXCEPTIONS | NUMBER |
| TSTADR IN | H20E2 | 1-01 * | D27 | N 4-7/8 | | 1348 |
| TSTADR IN | J18M2 | 1-02 * | D27 | N 4-7/8 | | 1348 |
| TSTADR OUT | J18J1 | 1-01 * | D27 | N 1-3/8 | | 1349 |
| TSTADR OUT | J19D2 | 1-02 * | D27 | N 1-3/8 | | 1349 |
| TSTBUS IN 0 | H17K2 | 1-01 * | D27 | N 1-7/8 | | 1350 |
| TSTBUS IN 0 | H20H1 | 1-02 * | D27 | N 1-7/8 | | 1350 |
| TSTBUS IN 1 | H17M2 | 1-01 * | D27 | N 2-1/8 | | 1351 |
| TSTBUS IN 1 | H20R1 | 1-02 * | D27 | N 2-1/8 | | 1351 |
| TSTBUS IN 2 | H17S2 | 1-01 * | D27 | N 2-5/8 | | 1352 |
| TSTBUS IN 2 | H20L2 | 1-02 * | D27 | N 2-5/8 | | 1352 |
| TSTBUS IN 3 | H17T2 | 1-01 * | D27 | N 2-1/8 | | 1353 |
| TSTBUS IN 3 | H20V2 | 1-02 * | D27 | N 2-1/8 | | 1353 |
| TSTBUS IN 4 | H17V2 | 1-01 * | D27 | N 2-5/8 | | 1354 |
| TSTBUS IN 4 | H21H1 | 1-02 * | D27 | N 2-5/8 | | 1354 |
| TSTBUS IN 5 | H17J1 | 1-01 * | D27 | N 3-1/8 | | 1355 |
| TSTBUS IN 5 | H21R1 | 1-02 * | D27 | N 3-1/8 | | 1355 |
| TSTBUS IN 6 | H17M1 | 1-01 * | D27 | N 2-7/8 | | 1356 |
| TSTBUS IN 6 | H21L2 | 1-02 * | D27 | N 2-7/8 | | 1356 |
| TSTBUS IN 7 | H17P1 | 1-01 * | D27 | N 3-3/8 | | 1357 |
| TSTBUS IN 7 | H21V2 | 1-02 * | D27 | N 3-3/8 | | 1357 |
| TSTBUS IN P | H17D2 | 1-01 * | D27 | N 2-7/8 | | 1358 |
| TSTBUS IN P | H23H1 | 1-02 * | D27 | N 2-7/8 | | 1358 |
| TSTBUS OUT 0 | J17K2 | 1-01 * | D27 | N 2-5/8 | | 1359 |
| TSTBUS OUT 0 | J20D2 | 1-02 * | D27 | N 2-5/8 | | 1359 |
| TSTBUS OUT 1 | J17M2 | 1-01 * | D27 | N 2-1/8 | | 1360 |
| TSTBUS OUT 1 | J20P2 | 1-02 * | D27 | N 2-1/8 | | 1360 |
| TSTBUS OUT 2 | J17P2 | 1-01 * | D27 | N 2-1/8 | | 1361 |
| TSTBUS OUT 2 | J20M2 | 1-02 * | D27 | N 2-1/8 | | 1361 |

DX11B.U
RUN NAME

WRAPD .V35(102)-1 03-JUN-77

15-Nov-77

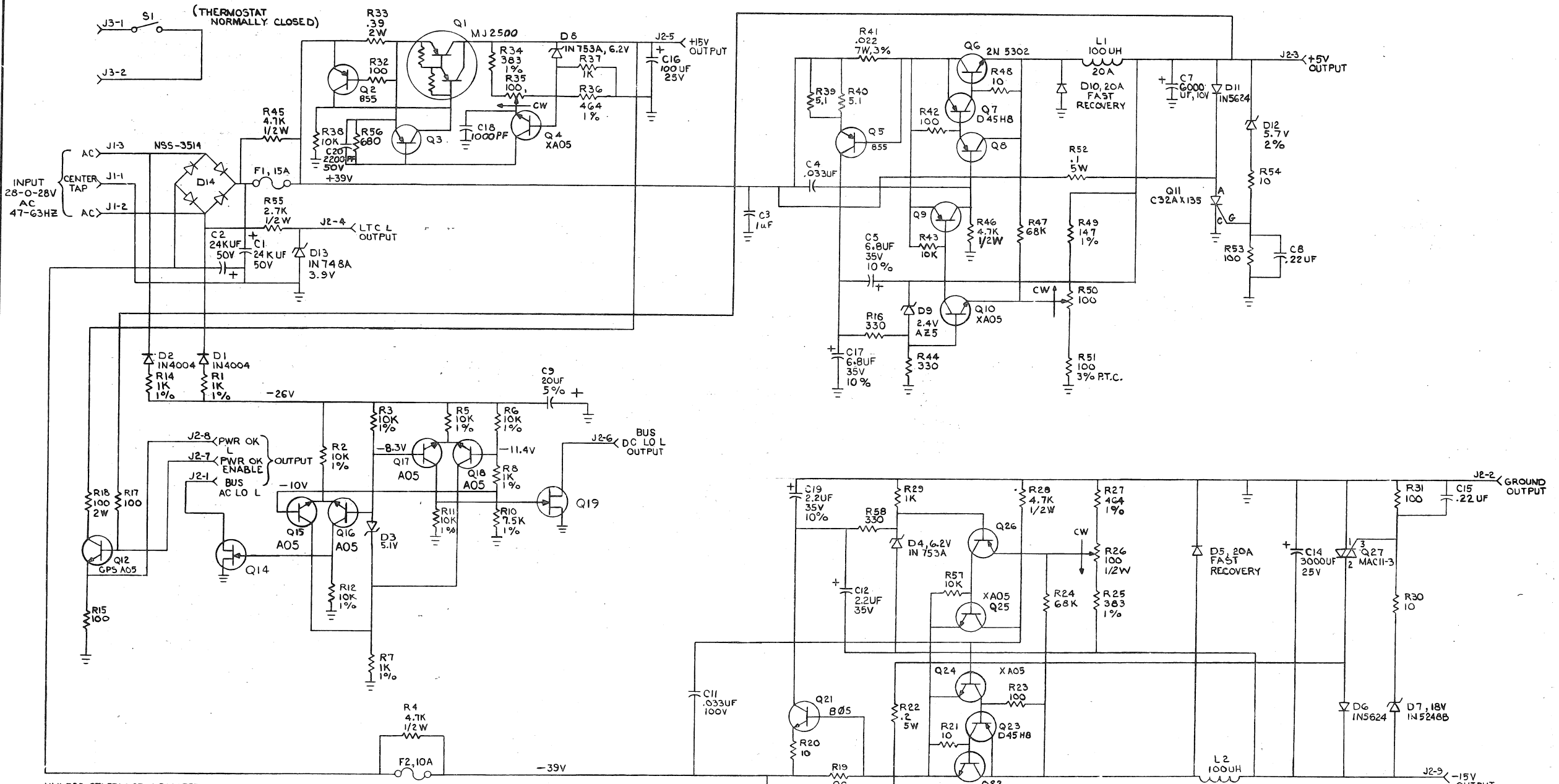
15:48 PAGE 152
NC LENGTH EXCEPTIONS
FLAG

RUN
NUMBER

| A/P | PIN NAME | ORDER PIN | BAY - ORDER | Q | DRAW OPT | RV | RG | Y | X | Z | REMARKS | NC FLAG | LENGTH | EXCEPTIONS | RUN NUMBER |
|-----|-----------|-----------|-------------|---|----------|----|----|---|---|---|---------|---------|--------|------------|------------|
| | TTNDX CLR | H A23H1 | 1-01 * | | D14 | | | | | 2 | | N | 1-3/8 | | 1387 |
| | TTNDX CLR | H A23P1 | 1-02 * | | D14 | | | | | 1 | | N | 14-3/8 | | 1387 |
| | TTNDX CLR | H B01V2 | 1-03 * | S | D14 | | | | | | | | | | 1387 |
| | TTNDX CLR | H | 1 | | | | | | | | | | 15-6/8 | | 1387 |
| | UCHECK(0) | H C11K2 | 1-01 * | S | D09 | | | | | 2 | | N | 4 | | 1388 |
| | UCHECK(0) | H C04K2 | 1-02 * | | D24 | | | | | 1 | | N | 7-5/8 | | 1388 |
| | UCHECK(0) | H E14F2 | 1-03 * | | D05 | | | | | | | | | | 1388 |
| | UCHECK(0) | H | 1 | | | | | | | | | | 11-5/8 | | 1388 |
| | UCHECK(1) | H C11J2 | 1-01 * | S | D09 | | | | | 2 | | N | 2-5/8 | | 1389 |
| | UCHECK(1) | H B08T2 | 1-02 * | | D10 | | | | | 1 | | N | 6-3/8 | | 1389 |
| | UCHECK(1) | H D11N1 | 1-03 * | | D19 | | | | | 2 | | N | 15 | | 1389 |
| | UCHECK(1) | H A31A2 | 1-04 * | | D22 | | | | | 1 | | N | 14-4/8 | | 1389 |
| | UCHECK(1) | H F31H2 | 1-05 * | | D13 | | | | | | | | | | 1389 |
| | UCHECK(1) | H | 1 | | | | | | | | | | 30-4/8 | | 1389 |
| | UCHKS(1) | H A29F1 | 1-01 * | | D22 | | | | | 2 | | N | 11-1/8 | | 1390 |
| | UCHKS(1) | H B13E1 | 1-02 * | | D10 | | | | | 1 | | N | 10-5/8 | | 1390 |
| | UCHKS(1) | H D20S2 | 1-03 * | | D19 | | | | | 2 | | N | 3-5/8 | | 1390 |
| | UCHKS(1) | H C20N1 | 1-04 * | S | D05 | | | | | | | | | | 1390 |
| | UCHKS(1) | H | 1 | | | | | | | | | | 25-3/8 | | 1390 |
| | UEXCEP(0) | H C04I2 | 1-01 * | | D24 | | | | | 1 | | N | 3-3/8 | | 1391 |
| | UEXCEP(0) | H C10K2 | 1-02 * | S | D09 | | | | | | | | | | 1391 |
| | UEXCEP(0) | H | 1 | | | | | | | | | | 3-3/8 | | 1391 |
| | UEXCEP(1) | H C10J2 | 1-01 * | S | D09 | | | | | 2 | | N | 3-1/8 | | 1392 |
| | UEXCEP(1) | H B08P1 | 1-02 * | | D10 | | | | | 1 | | N | 6-5/8 | | 1392 |
| | UEXCEP(1) | H D10M1 | 1-03 * | | D19 | | | | | 2 | | N | 16-5/8 | | 1392 |
| | UEXCEP(1) | H A31B2 | 1-04 * | | D22 | | | | | 1 | | N | 15-3/8 | | 1392 |
| | UEXCEP(1) | H F31S2 | 1-05 * | | D13 | | | | | | | | | | 1392 |
| | UEXCEP(1) | H | 1 | | | | | | | | | | 41-6/8 | | 1392 |
| | XBA16(0) | H C13F1 | 1-01 * | S | D06 | | | | | 2 | | N | 2-5/8 | | 1393 |
| | XBA16(0) | H C09K2 | 1-02 * | | D06 | | | | | 1 | | N | 10-1/8 | | 1393 |
| | XBA16(0) | H E10T2 | 1-03 * | | D06 | | | | | | | | | | 1393 |
| | XBA16(0) | H | 1 | | | | | | | | | | 12-6/8 | | 1393 |
| | XBA16(1) | H A30P1 | 1-01 * | | D22 | | | | | 2 | | N | 9-1/8 | | 1394 |
| | XBA16(1) | H D27J1 | 1-02 * | | D17 | | | | | 1 | | N | 7-7/8 | | 1394 |
| | XBA16(1) | H D13M1 | 1-03 * | | D19 | | | | | 2 | | N | 3-7/8 | | 1394 |
| | XBA16(1) | H C13F1 | 1-04 * | S | D06 | | | | | | | | | | 1394 |
| | XBA16(1) | H | 1 | | | | | | | | | | 20-7/8 | | 1394 |
| | XBA17(0) | H C09P2 | 1-01 * | | D06 | | | | | 1 | | N | 3-5/8 | | 1395 |
| | XBA17(0) | H C14E1 | 1-02 * | S | D06 | | | | | | | | | | 1395 |
| | XBA17(0) | H | 1 | | | | | | | | | | 3-5/8 | | 1395 |
| | XBA17(1) | H A30N1 | 1-01 * | | D22 | | | | | 2 | | N | 9-3/8 | | 1396 |
| | XBA17(1) | H D27L2 | 1-02 * | | D17 | | | | | 1 | | N | 7-3/8 | | 1396 |
| | XBA17(1) | H D14M1 | 1-03 * | | D19 | | | | | 2 | | N | 3-7/8 | | 1396 |
| | XBA17(1) | H C14F1 | 1-04 * | S | D06 | | | | | | | | | | 1396 |
| | XBA17(1) | H | 1 | | | | | | | | | | 20-5/8 | | 1396 |

This drawing and specifications, herein, are the property of Digital Equipment Corporation and shall not be reproduced or copied or used in whole or in part as the basis for the manufacture or sale of items without written permission. © 1976 DIGITAL EQUIP CORP.

5409728-0-1 AA



UNLESS OTHERWISE INDICATED:
 1% RESISTORS ARE 1/8W
 VOLTAGES ARE TAKEN AT NO LOAD WITH 115 VAC LINE
 VOLTAGES ARE ±10% TAKEN BY A ≥ 10V_{AC} METER
 TRANSISTORS = XA55

| | | | | | | | | |
|-----|---|---|---|---|---|---|---|---|
| REV | 1 | 2 | 3 | 4 | 5 | 6 | 7 | 8 |
| CHG | | | | | | | | |
| CHK | | | | | | | | |
| REV | | | | | | | | |
| CHG | | | | | | | | |
| CHK | | | | | | | | |
| REV | | | | | | | | |
| CHG | | | | | | | | |
| CHK | | | | | | | | |

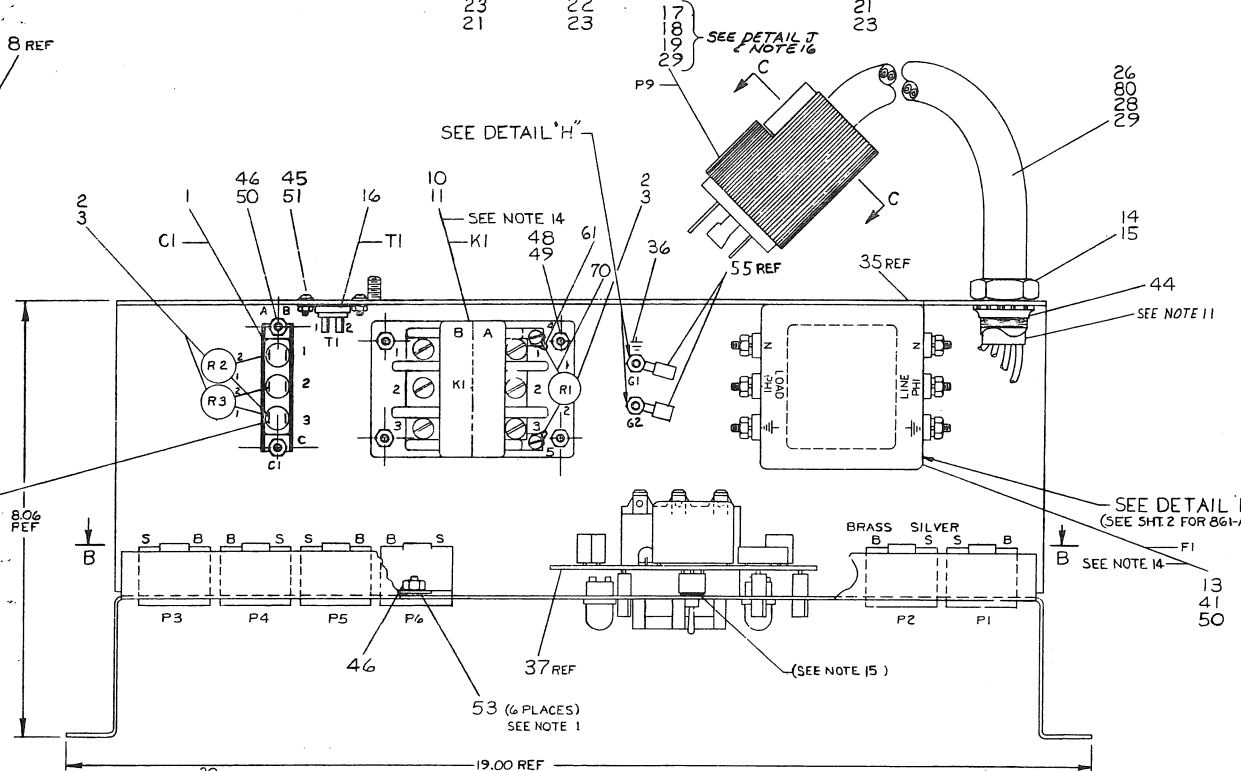
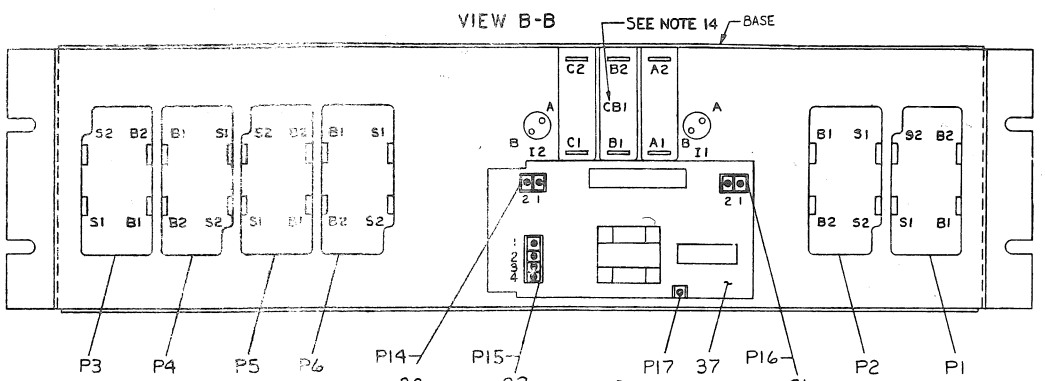
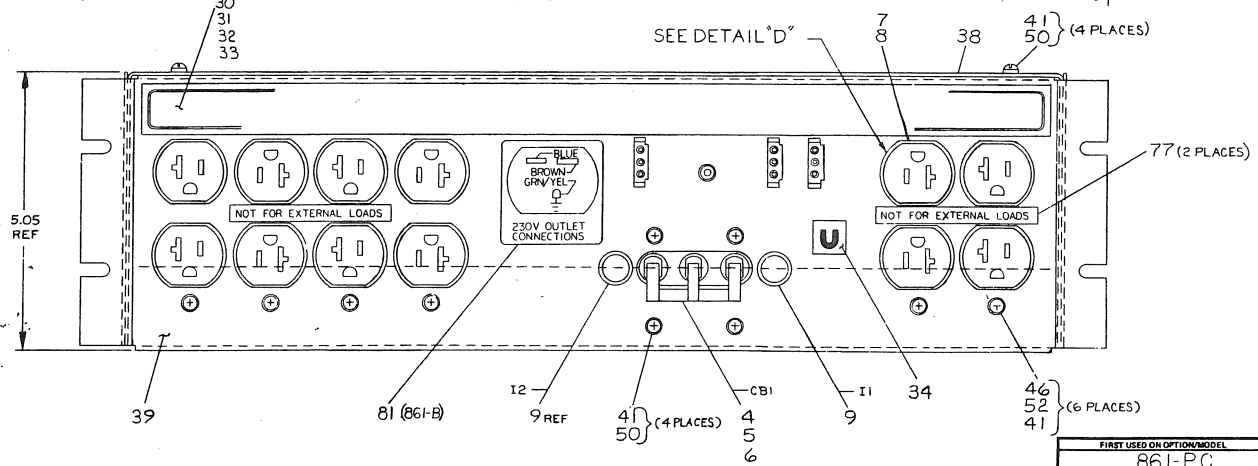
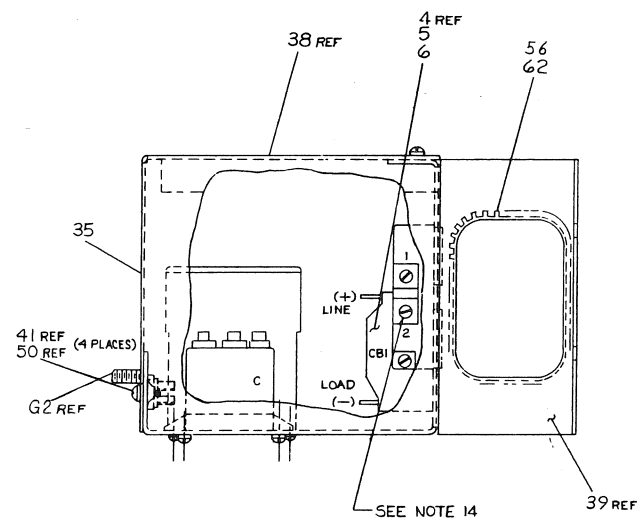
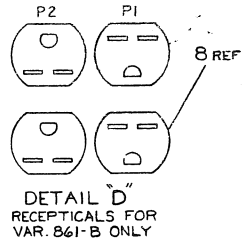
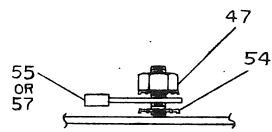
| QTY | REF DESIGNATION | DESCRIPTION | PART NO. | ITEM NO. |
|--------------------------------|-----------------|---------------|---|----------|
| PARTS LIST | | | | |
| ETCH BOARD REV E | | | | |
| DRN <i>R. Moore</i> | | DATE 12-20-71 | DIGITAL EQUIPMENT CORPORATION <small>MAYNARD, MASSACHUSETTS</small> | |
| CHK'D <i>M. Moore</i> | | DATE 1-21-72 | | |
| ENG. <i>M. Moore</i> | | DATE 11-29-71 | | |
| PROJ. ENG. <i>M. Moore</i> | | DATE 12-29-71 | | |
| PROD. <i>R. Poter</i> | | DATE 12/29/71 | | |
| NEXT HIGHER ASSY | | | | |
| DEC. NO. | | EIA NO. | DEC. NO. | EIA NO. |
| SEMICONDUCTOR CONVERSION CHART | | | | SCALE |
| SHEET 1 OF 1 | | | | DIST. |

REGULATOR BOARD FOR H740

SIZE CODE: DCS NUMBER: 5409728-0-1 AA REV. AA

THIS DRAWING AND SPECIFICATION LEGEND ARE THE PROPERTY OF DIGITAL EQUIPMENT CORPORATION. NO PART OF THIS DRAWING OR SPECIFICATION IS TO BE REPRODUCED OR TRANSMITTED IN ANY FORM OR BY ANY MEANS, ELECTRONIC OR MECHANICAL, INCLUDING PHOTOCOPYING, RECORDING, OR BY ANY INFORMATION STORAGE AND RETRIEVAL SYSTEM.

| DWG. NO. | VARIATION | | |
|----------|-----------|--------|---------|
| | VAC OUT | PHASES | AMP OUT |
| B61-A | 120 | 2 | 32 |
| B61-B | 240 | 1 | 16 |
| B61-C | 120 | 1 | 24 |
| B61-F | 120 | 1 | 12 |



- NOTES:
- ITEM 53 $\frac{3}{8}$ " EXT WASHER MUST BE BETWEEN CHASSIS AND MOUNTING TAB OF RECEPTACLE (P1-P6).
 - REMOVE FASTON TABS FOR 0-57-F.
 - REMOVE PAINT MASK FROM AROUND 0-32 STUD (62) AND APPLY CONDUCTIVE GREASE (ITEM 76).
 - REMOVE PAINT MASK FROM AROUND 0-32 STUD (62) AND APPLY CONDUCTIVE GREASE (ITEM 76).
 - REMOVE ALL FASTONS FROM FILTERS (ITEMS 12 & 13).
 - C1-3 IS THE COMMON (C) SIDE OF C1.
 - RECOMMENDED TORQUE LEVEL FOR VARIOUS NUTS AND SCREWS:
- | THREAD | TORQUE |
|--------|-----------|
| 3-32 | 10 IN-LBS |
| 8-32 | 10 IN-LBS |
| 10-32 | 10 IN-LBS |
- TO PREVENT STRESS FROM SWITCH ON P-C BOARD USE ITEM 43 (FIBER WASHER) BETWEEN CHASSIS AND P-C BOARD.
 - USE TIE WRAPS (ITEM 43) A/R.
 - REMOVE PAINT MASK FROM AROUND 0-32 STUD (62) AND APPLY CONDUCTIVE GREASE (ITEM 76).
 - POWER CORD TO EXTEND APPROX. .50IN. BEYOND LOCKNUT (ITEM 44) FOR ITEMS 27 & 29. ITEMS 26 & 28 TO REMAIN FLUSH WITH LOCKNUT.
 - RECOMMENDED TORQUE LEVEL FOR LUGS ON K1 (ITEMS 10 & 11) IS 16 INCH-LBS.
 - REF. WIRE LIST. THESE CONNECTIONS HAVE THREE RING TERMINALS AND REQUIRE (ITEM 82) SCREW 8-32 x 1/4" WITH (ITEM 40) LOCKWASHER.
 - REQUIRED TORQUE LEVELS FOR CERTAIN ELECTRO-MECHANICAL CONNECTIONS.
- A. 18±2 IN-LBS. FOR TERMINALS ON F1 (ITEMS 12 & 13), THE G LUG BOXES ON K1 (ITEMS 10 & 11) AND NUTS ON GROUND STUD G1.
- B. 16±2 IN-LBS FOR 8-32 SCREW CONNECTIONS ON OUTLETS P1 THRU P6 (ITEMS 7 & 8).
- C. 12±2 IN-LBS ON 8-32 SCREW CONNECTIONS ON CIRCUIT BREAKER CONNECTIONS CBI (ITEMS 4, 5 & 6).
- USE NO MOUNTING HARDWARE FOR SWITCH.
 - STRAIN RELIEF SPACING: (L)
- | | |
|-------|------|
| B61 A | 1/8" |
| B61 B | 0 |
| B61 C | 1/4" |
| B61 F | 0 |

FOR PARTS LIST SEE A-PL-861-0-0

| FIRST USED ON OPTION/MODEL | | QTY. | DESCRIPTION | PART NO. | REV. |
|----------------------------|-------------|-------|-------------|---------------|---------|
| 861-PC | | | | | |
| PARTS LIST | | | | | |
| DRN. | D. SCHMIDT | DATE | B-12-72 | DIGITAL | |
| CHK'D. | J. KALAGHOS | DATE | 10-5-72 | | |
| ENGR. | R. BERTON | DATE | 10-5-72 | POWER CONTROL | |
| PROJ. ENGR. | ALLEN | DATE | 10-5-72 | | |
| PROD. ENGR. | P. FAZIO | DATE | 10-5-72 | 861 | |
| DESIGNED BY | | | | | |
| REVISED BY | | | | B-DD-861-0-0 | |
| REVISED BY | | | | | |
| SCALE | 1/1" | SIZE | 7/11 | NUMBER | 861-0-0 |
| THICK | OF 2 | DIST. | | REV. | M |

THIS DRAWING AND SPECIFICATIONS HEREIN ARE THE PROPERTY OF DIGITAL EQUIPMENT CORPORATION AND SHALL NOT BE REPRODUCED OR COPIED IN WHOLE OR IN PART AS THE BASIS FOR THE MANUFACTURE OR SALE OF ITEMS WITHOUT WRITTEN PERMISSION. COPYRIGHT © 1977, DIGITAL EQUIPMENT CORPORATION

WIRE TABLE, 861-A

| ITEM NO. | DESCRIPTION | FROM | TO | | REMARKS |
|----------|-------------|--------|------------|-------------|------------|
| | | | CONN POINT | WITH | |
| 2 | --- | R1-1 | KI-4 | 70.61 | 1.1 IN |
| 2 | --- | R1-2 | KI-5 | 70.61 | 1.1 IN |
| 3 | 14 BLU | KI-B3 | P6-S1 | 60 | 5.25 IN |
| 73 | 14 BLU | KI-B3 | P4-S1 | 60 | 4.25 IN |
| 72 | BRN | KI-B2 | P6-B1 | 60 | 4.5 IN |
| 72 | BRN | KI-B2 | P5-B2 | 60 | 5.25 IN |
| 71 | BLK | KI-B1 | P4-B1 | 60 | 6.25 IN |
| 73 | 14 BLU | KI-A3 | P3-S1 | 60 | 4.5 IN |
| 72 | BRN | KI-B2 | CI-2B | 63 | 4.5 IN |
| 72 | BRN | KI-B2 | P6-B1 | 60 | 6. IN |
| 72 | BRN | P6-B2 | P5-B2 | 60 | 3. IN |
| 71 | BLK | KI-B1 | CI-1B | 63 | 3.5 IN |
| 71 | BLK | KI-B1 | P4-B1 | 60 | 6. IN |
| 71 | BLK | P4-B2 | P3-B2 | 60 | 3. IN |
| 73 | 14 BLU | CB1-C2 | PI-51 | 60 | 9. IN |
| 66 | 12 BRN | CB1-C2 | KI-A3 | 55 | 5. IN |
| 73 | 14 BLU | KI-A3 | PI-52 | 23.22 | 3.75 IN |
| 73 | 14 BLU | PI6-2 | KI-A3 | 23.22 | 5. IN |
| 65 | 12 BRN | CB1-B2 | PI-A2 | 55 | 6.75 IN |
| 72 | 14 BRN | CB1-B2 | PI-B1 | 60 | 10.5 IN |
| 64 | 12 BLK | CB1-A2 | KI-A1 | 55 | 7.5 IN |
| 71 | 14 BLK | CB1-A2 | P2-B1 | 60 | 6. IN |
| 71 | BLK | KI-A1 | PI-53 | 23.22 | 5.5 IN |
| 72 | BLK | KI-A2 | KI-4 | 63 | 4. IN |
| 72 | BRN | PI6-1 | KI-5 | 63 | 7.5 IN |
| 73 | 14 BLU | PI-S2 | P2-S1 | 60 | 4. IN |
| 66 | 12 BLU | CB1-C1 | FI-N | 55 | 5.5 IN |
| 9 | RED | I1-A | CB1-C1 | SEE NOTE 13 | 58 5.75 IN |
| 9 | RED | I2-A | CB1-C1 | SEE NOTE 13 | 58 4. IN |
| 9 | BLK | I1-B | CB1-A1 | | 58 3.75 IN |
| 64 | 12 BLK | FI-PHI | LOAD | 55 | 3. IN |
| 9 | BLK | I2-B | CB1-B1 | | 58 4.75 IN |
| 63 | 12 BRN | FI-PH2 | LOAD | 55 | 5.25 IN |
| 74 | 14 ORN | PI4-1 | TI-1 | 23.21 | 63 10. IN |
| 74 | 14 ORN | PI4-2 | TI-2 | 23.21 | 63 10. IN |
| 68 | 12 GRN/YEL | FI-± | LOAD | 55 | 4.75 IN |
| 67 | 14 GRN/YEL | PI7 | SOLD G2 | 57 | 7.75 IN |
| 2 | --- | R2-1 | CI-3A | 70 | 1.1 IN |
| 2 | --- | R3-1 | CI-1A | 70 | 1.1 IN |
| 2 | --- | R2-2 | CI-1A | 70 | 1.25 IN |
| 2 | --- | R3-2 | CI-2A | 70 | 1. IN |
| 26 | 12 BLK | P9-Y | FI-PHI | LINE | 55 15. FT |
| 1 | WHT | P9-S | FI-N | LINE | 55 |
| 1 | RED | P9-X | FI-PH2 | LINE | 55 |
| 26 | 12 GRN | P9-G | FI-± | LINE | 55 15. FT |

* STRIP WIRE .38 IN

WIRE TABLE, 861-B

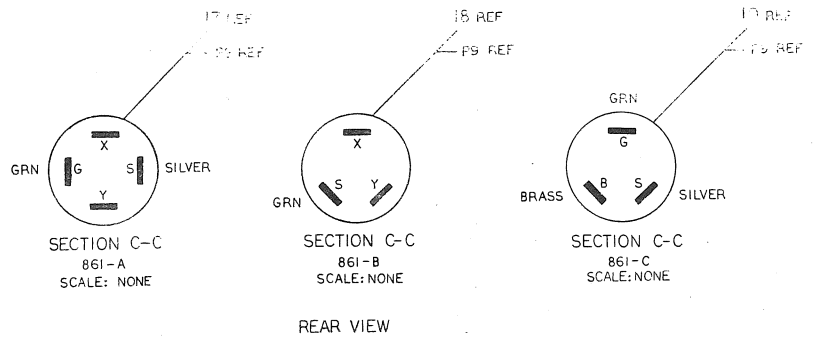
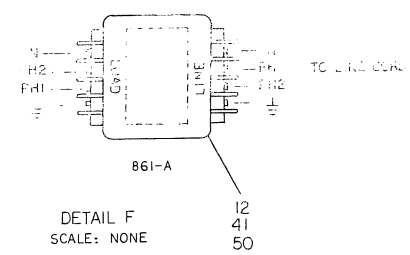
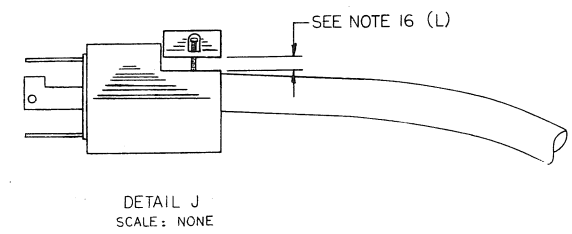
| ITEM NO. | DESCRIPTION | FROM | TO | | REMARKS |
|----------|-------------|--------|------------|-------|-------------|
| | | | CONN POINT | WITH | |
| 3 | --- | R1-1 | KI-4 | 70.61 | 1.1 IN |
| 3 | --- | R1-2 | KI-5 | 70.61 | 1.1 IN |
| 73 | 14 BLU | KI-B3 | P6-S1 | 60 | 5.5 IN |
| 73 | 14 BLU | KI-B3 | P4-S1 | 60 | 5.5 IN |
| 72 | BRN | KI-B2 | CI-3B | 63 | 5.5 IN |
| 72 | BRN | KI-B2 | P5-S1 | 60 | 4.5 IN |
| 73 | 14 BLU | P4-S2 | P3-S1 | 60 | 4.5 IN |
| 72 | BRN | KI-B1 | P6-B1 | 60 | 6.5 IN |
| 72 | BRN | KI-B1 | CI-1B | 63 | 5.0 IN |
| 73 | 14 BLU | P6-B2 | P5-B1 | 60 | 3. IN |
| 72 | BRN | P4-B2 | P3-B1 | 60 | 3. IN |
| 71 | BLK | KI-A1 | KI-4 | 63 | 4.25 IN |
| 71 | BLK | KI-A1 | PI-4 | 23.22 | 6. IN |
| 72 | BRN | CB1-A2 | PI-B2 | 60 | 10. IN |
| 72 | BRN | CB1-A2 | KI-A1 | 55 | 7.5 IN |
| 73 | 14 BLU | CB1-C2 | KI-A3 | 55 | 6.5 IN |
| 73 | 14 BLU | CB1-C2 | PI-52 | 60 | 8. IN |
| 71 | BLK | KI-A1 | KI-A3 | 55 | 23.21 6. IN |
| 73 | 14 BLU | CB1-A2 | PI-52 | 23.22 | 6. IN |
| 73 | 14 BLU | PI-S1 | P2-S2 | 60 | 3. IN |
| 72 | 14 BRN | PI-B1 | P2-B2 | 60 | 4.5 IN |
| 9 | BLK | I1-B | CB1-B2 | 58 | 4. IN |
| 9 | BLK | I2-B | CB1-B2 | 58 | 4. IN |
| 9 | RED | I1-A | CB1-A1 | 58 | 5. IN |
| 9 | RED | I2-A | CB1-C1 | 58 | 5. IN |
| 72 | 14 BRN | CB1-C1 | FI-PHI | LOAD | 57 3. IN |
| 73 | 14 BLU | CB1-C1 | FI-N | LOAD | 57 4.75 IN |
| 74 | 14 ORN | PI4-1 | TI-1 | 23.21 | 63 10. IN |
| 74 | 14 ORN | PI4-2 | TI-2 | 23.21 | 63 10. IN |
| 67 | 14 GRN/YEL | FI-± | LOAD | 57 | 4.75 IN |
| 67 | 14 GRN/YEL | PI7 | SOLD G2 | 57 | 7.75 IN |
| 3 | --- | R2-1 | CI-3A | 70 | 1.1 IN |
| 72 | 14 BRN | PI6-1 | KI-5 | 63 | 7. IN |
| 80 | 14 GRN/YEL | P9-G | FI-± | LINE | 57 15. FT |
| 80 | 14 BRN | P9-Y | FI-PHI | LINE | 57 15. FT |
| 80 | 14 BLU | P9-X | FI-N | LINE | 57 15. FT |

WIRE TABLE, 861-C

| ITEM NO. | DESCRIPTION | FROM | TO | | REMARKS |
|----------|-------------|--------|-------------|-------------|--------------|
| | | | CONN POINT | WITH | |
| 2 | --- | R1-1 | KI-4 | 70.61 | 1.1 IN |
| 2 | --- | R1-2 | KI-5 | 70.61 | 1.1 IN |
| 73 | 14 BLU | KI-B3 | P6-S1 | 60 | 4.5 IN |
| 73 | 14 BLU | KI-B3 | P4-S1 | 60 | 4.5 IN |
| 72 | BRN | KI-B2 | P6-B1 | 60 | 6. IN |
| 72 | BRN | KI-B2 | P5-B2 | 60 | 7.5 IN |
| 71 | BLK | KI-B1 | P4-B1 | 60 | 6.0 IN |
| 73 | 14 BLU | P6-S2 | P5-S1 | 60 | 4.5 IN |
| 73 | 14 BLU | P3-S1 | P4-S2 | 60 | 4.5 IN |
| 73 | 14 BLU | KI-B3 | CI-3B | 63 | 4.5 IN |
| 72 | BRN | KI-B2 | CI-2B | 63 | 4.5 IN |
| 71 | BLK | KI-B1 | CI-1B | 63 | 4.5 IN |
| 72 | BRN | CB1-B2 | PI-B2 | 60 | 9.5 IN |
| 72 | BRN | CB1-B2 | KI-A2 | 55 | 5.75 IN |
| 72 | BRN | KI-4 | KI-A2 | 63 | 4.25 IN |
| 71 | BLK | CB1-C2 | P2-B1 | 55 | 9.0 IN |
| 71 | BLK | CB1-C2 | KI-A2 | 55 | 5.75 IN |
| 71 | BLK | KI-A1 | KI-A3 | 55 | 23.22 5.5 IN |
| 73 | 14 BLU | CB1-A2 | PI-52 | 60 | 7.5 IN |
| 73 | 14 BLU | CB1-A2 | PI-52 | 55 | 3. IN |
| 73 | 14 BLU | CB1-A2 | PI-52 | 60 | 3. IN |
| 73 | 14 BLU | PI-S1 | P2-S2 | 60 | 4.5 IN |
| 72 | 14 BRN | PI-B1 | P2-B2 | 60 | 4.5 IN |
| 9 | BLK | I1-B | CB1-B2 | 58 | 4. IN |
| 9 | BLK | I2-B | CB1-B2 | 58 | 4. IN |
| 9 | RED | I1-A | CB1-A1 | 58 | 5. IN |
| 9 | RED | I2-A | CB1-C1 | 58 | 5. IN |
| 72 | 14 BRN | CB1-C1 | FI-PHI | LOAD | 57 3. IN |
| 73 | 14 BLU | CB1-C1 | FI-N | LOAD | 57 4.75 IN |
| 74 | 14 ORN | PI4-1 | TI-1 | 23.21 | 63 10. IN |
| 74 | 14 ORN | PI4-2 | TI-2 | 23.21 | 63 10. IN |
| 67 | 14 GRN/YEL | FI-± | LOAD | 57 | 4.75 IN |
| 67 | 14 GRN/YEL | PI7 | SOLD G2 | 57 | 7.75 IN |
| 2 | --- | R2-1 | CI-3A | 70 | 1.1 IN |
| 2 | --- | R3-1 | CI-1A | 70 | 1. IN |
| 2 | --- | R2-2 | CI-1A | 70 | 1.25 IN |
| 2 | --- | R3-2 | CI-2A | 70 | 1. IN |
| 68 | 12 GRN/YEL | FI-± | LOAD | 55 | 4.75 IN |
| 67 | 14 GRN/YEL | PI7 | SOLDER | G2 | 57 7.75 IN |
| 65 | 12 BRN | CB1-B1 | SEE NOTE 13 | 55 | 3. IN |
| 64 | 12 BLK | CB1-C1 | SEE NOTE 13 | 55 | 3.25 IN |
| 9 | RED | I1-A | CB1-B1 | SEE NOTE 13 | 57 4.25 IN |
| 9 | RED | I2-A | CB1-B1 | SEE NOTE 13 | 57 4.75 IN |
| 9 | BLK | I1-B | CB1-A1 | SEE NOTE 13 | 57 3.00 IN |
| 9 | BLK | I2-B | CB1-A1 | SEE NOTE 13 | 57 5.75 IN |
| 66 | 12 BLU | CB1-A1 | SEE NOTE 13 | 55 | 4.5 IN |
| 28 | 12 GRN | P9-G | FI-± | LINE | 55 15. FT |
| 28 | 12 BLK | P9-B | FI-PHI | LINE | 55 15. FT |
| 28 | 12 WHT | P9-S | FI-N | LINE | 55 15. FT |

WIRE TABLE, 861-F

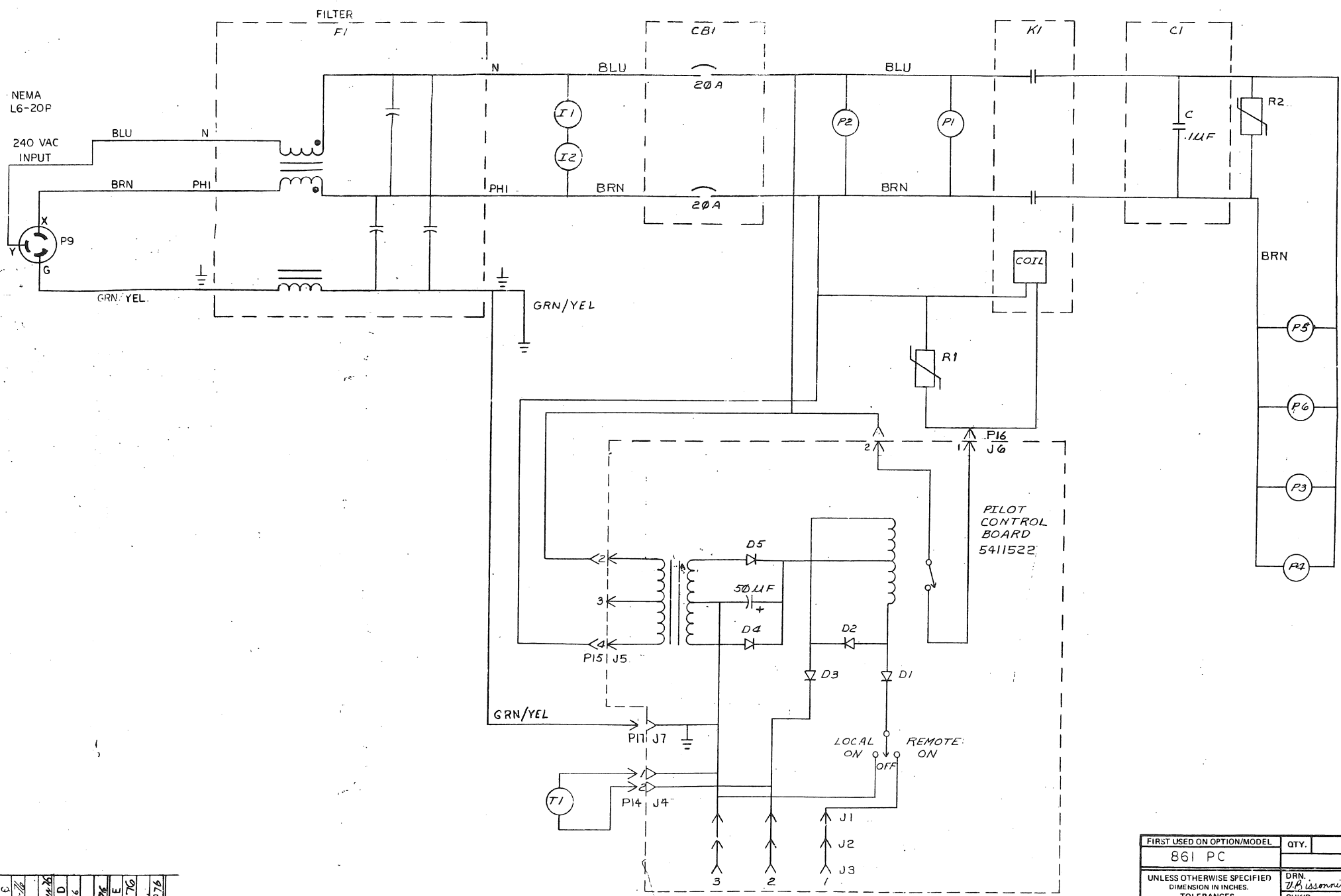
| ITEM NO. | DESCRIPTION | FROM | TO | | REMARKS |
|----------|-------------|--------|-------------|-------------|-----------|
| | | | CONN POINT | WITH | |
| 2 | --- | R1-1 | KI-4 | 70.61 | 1.1 IN |
| 2 | --- | R1-2 | KI-5 | 70.61 | 1.1 IN |
| 73 | 14 BLU | KI-B3 | P6-S1 | 60 | 5.25 IN |
| 73 | 14 BLU | KI-B3 | P4-S1 | 60 | 4. IN |
| 72 | BRN | KI-B2 | P6-B1 | 60 | 5.25 IN |
| 72 | BRN | KI-B2 | P5-B2 | 60 | 5.25 IN |
| 71 | BLK | KI-B1 | P4-B1 | 60 | 6.25 IN |
| 73 | 14 BLU | KI-A3 | P3-S1 | 60 | 6.25 IN |
| 72 | BRN | KI-B2 | CI-3B | 63 | 3.5 IN |
| 71 | 14 BLK | KI-B1 | CI-2B | 63 | 3.5 IN |
| 2 | --- | R2-2 | CI-1A | 70 | 1. IN |
| 2 | --- | R2-1 | CI-3A | 59 | 1. IN |
| 2 | --- | R3-1 | CI-1A | 59 | 1. IN |
| 2 | --- | R3-2 | CI-2A | 59 | 1.25 IN |
| 73 | 14 BLU | KI-A3 | PI-5A | 23.22 | 4.25 IN |
| 73 | 14 BLU | KI-A3 | PI-6A | 23.21 | 5.75 IN |
| 73 | 14 BLU | CB1-A2 | PI-A3 | 55 | 6.75 IN |
| 72 | BRN | KI-A2 | PI-S2 | 60 | 8. IN |
| 72 | BRN | KI-A2 | KI-4 | 63 | 4.75 IN |
| 72 | BRN | CB1-B2 | KI-A2 | 55 | 6.5 IN |
| 72 | BRN | KI-5 | PI-6A | 60 | 8.25 IN |
| 72 | BRN | KI-5 | PI-6A | 23.21 | 6.75 IN |
| 71 | BLK | KI-A1 | PI-53 | 23.22 | 6. IN |
| 71 | BLK | CB1-C2 | P2-B1 | 55 | 8. IN |
| 71 | BLK | CB1-C2 | KI-A1 | 55 | 7. IN |
| 73 | 14 BLU | PI-S1 | P2-S2 | 60 | 3. IN |
| 9 | BLK | I1-B | CB1-C1 | 58 | 4.5 IN |
| 9 | BLK | I2-B | CB1-B1 | 58 | 4.5 IN |
| 9 | RED | I1-A | CB1-A1 | SEE NOTE 13 | 58 3.5 IN |
| 9 | RED | I2-A | CB1-A1 | SEE NOTE 13 | 58 4.5 IN |
| 73 | 14 BLU | CB1-A1 | SEE NOTE 13 | 57 | 4.5 IN |
| 71 | BLK | CB1-C1 | CB1-B1 | 55 | 3. IN |
| 71 | BLK | FI-PHI | LOAD | 57 | 4.5 IN |
| 67 | 14 GRN/YEL | FI-± | LOAD | 57 | 4.75 IN |
| 67 | 14 GRN/YEL | PI7 | SOLD G2 | 57 | 7.75 IN |
| 74 | 14 ORN | PI4-1 | TI-1 | 23.22 | 63 10. IN |
| 74 | 14 ORN | PI4-2 | TI-2 | 23.21 | 63 10. IN |
| 73 | 14 BLU | P3-S1 | P4-S2 | 60 | 4.5 IN |
| 73 | 14 BLU | P5-S1 | P6-S2 | 60 | 4.5 IN |
| 29 | 16 GRN | P9-G | FI-± | LINE | 57 9. FT |
| 29 | 16 BLK | P9-X | FI-PHI | LINE | 57 9. FT |
| 29 | 16 WHT | P9-Y | FI-N | LINE | 57 9. FT |



| REV. | CHANGE NO. | REV. | TITLE | SIZE | NUMBER | REV. |
|------|------------|------|-------------------|--------------|---------|------|
| 1 | | | POWER CONTROL 861 | EUA | 861-0-0 | M |
| | | | SCALE 1/1 | SHEET 2 OF 2 | | |

This drawing and specifications, herein, are the property of Digital Equipment Corporation and shall not be reproduced or copied or used in whole or in part as the basis for the manufacture or sale of items without written permission.

NOTE :
1. R1+R2 ARE MOV VARISTOR SPIKE SUPPRESSORS.



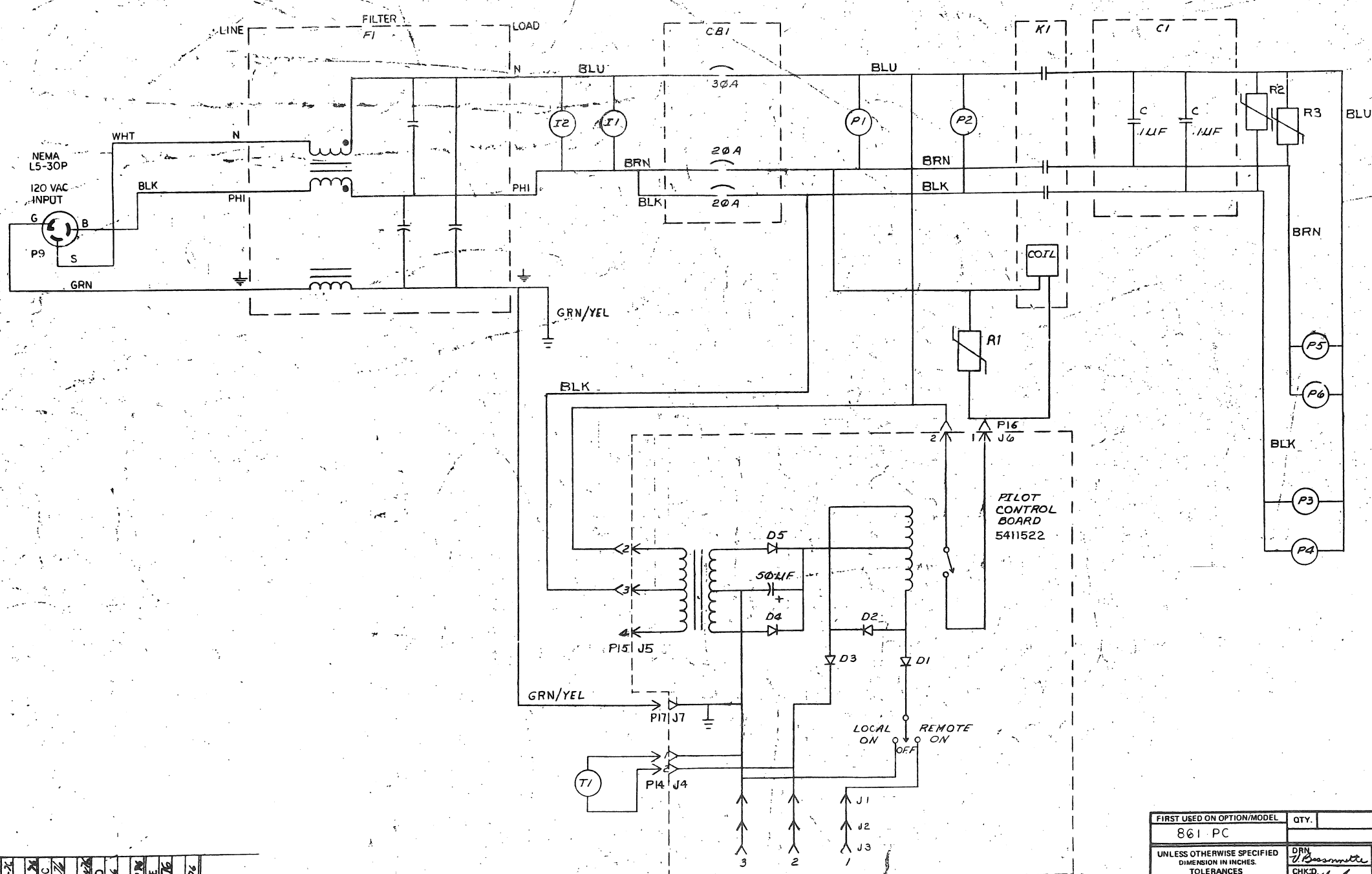
| REV | CHANGE NO. | BY | DATE |
|-----|------------|------------|----------|
| A | 861-00006 | J. Carter | 12-20-76 |
| B | 861-00009 | R. Kennedy | 12-16-76 |
| C | 861-00010 | R. Kennedy | 12-16-76 |
| D | 861-00011 | R. Kennedy | 12-16-76 |
| E | 861-00012 | S. Carter | 12-16-76 |
| F | 861-00013 | S. Carter | 12-16-76 |
| G | 861-00014 | S. Carter | 12-16-76 |
| H | 861-00015 | S. Carter | 12-16-76 |
| I | 861-00016 | S. Carter | 12-16-76 |
| J | 861-00017 | S. Carter | 12-16-76 |
| K | 861-00018 | S. Carter | 12-16-76 |
| L | 861-00019 | S. Carter | 12-16-76 |
| M | 861-00020 | S. Carter | 12-16-76 |
| N | 861-00021 | S. Carter | 12-16-76 |
| O | 861-00022 | S. Carter | 12-16-76 |
| P | 861-00023 | S. Carter | 12-16-76 |
| Q | 861-00024 | S. Carter | 12-16-76 |
| R | 861-00025 | S. Carter | 12-16-76 |
| S | 861-00026 | S. Carter | 12-16-76 |
| T | 861-00027 | S. Carter | 12-16-76 |
| U | 861-00028 | S. Carter | 12-16-76 |
| V | 861-00029 | S. Carter | 12-16-76 |
| W | 861-00030 | S. Carter | 12-16-76 |
| X | 861-00031 | S. Carter | 12-16-76 |
| Y | 861-00032 | S. Carter | 12-16-76 |
| Z | 861-00033 | S. Carter | 12-16-76 |
| AA | 861-00034 | S. Carter | 12-16-76 |
| AB | 861-00035 | S. Carter | 12-16-76 |
| AC | 861-00036 | S. Carter | 12-16-76 |
| AD | 861-00037 | S. Carter | 12-16-76 |
| AE | 861-00038 | S. Carter | 12-16-76 |
| AF | 861-00039 | S. Carter | 12-16-76 |
| AG | 861-00040 | S. Carter | 12-16-76 |
| AH | 861-00041 | S. Carter | 12-16-76 |
| AI | 861-00042 | S. Carter | 12-16-76 |
| AJ | 861-00043 | S. Carter | 12-16-76 |
| AK | 861-00044 | S. Carter | 12-16-76 |
| AL | 861-00045 | S. Carter | 12-16-76 |
| AM | 861-00046 | S. Carter | 12-16-76 |
| AN | 861-00047 | S. Carter | 12-16-76 |
| AO | 861-00048 | S. Carter | 12-16-76 |
| AP | 861-00049 | S. Carter | 12-16-76 |
| AQ | 861-00050 | S. Carter | 12-16-76 |
| AR | 861-00051 | S. Carter | 12-16-76 |
| AS | 861-00052 | S. Carter | 12-16-76 |
| AT | 861-00053 | S. Carter | 12-16-76 |
| AU | 861-00054 | S. Carter | 12-16-76 |
| AV | 861-00055 | S. Carter | 12-16-76 |
| AW | 861-00056 | S. Carter | 12-16-76 |
| AX | 861-00057 | S. Carter | 12-16-76 |
| AY | 861-00058 | S. Carter | 12-16-76 |
| AZ | 861-00059 | S. Carter | 12-16-76 |
| BA | 861-00060 | S. Carter | 12-16-76 |
| BB | 861-00061 | S. Carter | 12-16-76 |
| BC | 861-00062 | S. Carter | 12-16-76 |
| BD | 861-00063 | S. Carter | 12-16-76 |
| BE | 861-00064 | S. Carter | 12-16-76 |
| BF | 861-00065 | S. Carter | 12-16-76 |
| BG | 861-00066 | S. Carter | 12-16-76 |
| BH | 861-00067 | S. Carter | 12-16-76 |
| BI | 861-00068 | S. Carter | 12-16-76 |
| BJ | 861-00069 | S. Carter | 12-16-76 |
| BK | 861-00070 | S. Carter | 12-16-76 |
| BL | 861-00071 | S. Carter | 12-16-76 |
| BM | 861-00072 | S. Carter | 12-16-76 |
| BN | 861-00073 | S. Carter | 12-16-76 |
| BO | 861-00074 | S. Carter | 12-16-76 |
| BP | 861-00075 | S. Carter | 12-16-76 |
| BQ | 861-00076 | S. Carter | 12-16-76 |
| BR | 861-00077 | S. Carter | 12-16-76 |
| BS | 861-00078 | S. Carter | 12-16-76 |
| BT | 861-00079 | S. Carter | 12-16-76 |
| BU | 861-00080 | S. Carter | 12-16-76 |
| BV | 861-00081 | S. Carter | 12-16-76 |
| BW | 861-00082 | S. Carter | 12-16-76 |
| BX | 861-00083 | S. Carter | 12-16-76 |
| BY | 861-00084 | S. Carter | 12-16-76 |
| BZ | 861-00085 | S. Carter | 12-16-76 |
| CA | 861-00086 | S. Carter | 12-16-76 |
| CB | 861-00087 | S. Carter | 12-16-76 |
| CC | 861-00088 | S. Carter | 12-16-76 |
| CD | 861-00089 | S. Carter | 12-16-76 |
| CE | 861-00090 | S. Carter | 12-16-76 |
| CF | 861-00091 | S. Carter | 12-16-76 |
| CG | 861-00092 | S. Carter | 12-16-76 |
| CH | 861-00093 | S. Carter | 12-16-76 |
| CI | 861-00094 | S. Carter | 12-16-76 |
| CJ | 861-00095 | S. Carter | 12-16-76 |
| CK | 861-00096 | S. Carter | 12-16-76 |
| CL | 861-00097 | S. Carter | 12-16-76 |
| CM | 861-00098 | S. Carter | 12-16-76 |
| CN | 861-00099 | S. Carter | 12-16-76 |
| CO | 861-00100 | S. Carter | 12-16-76 |

| FIRST USED ON OPTION/MODEL | QTY. | DESCRIPTION | PART NO. | ITEM NO. |
|--|-------------------|----------------------------|---------------|---|
| 861 PC | | | | |
| PARTS LIST | | | | |
| UNLESS OTHERWISE SPECIFIED DIMENSION IN INCHES. | | DRN. <i>U.A. isomette</i> | DATE 9-11-72 | DIGITAL EQUIPMENT CORPORATION MAYNARD, MASSACHUSETTS |
| TOLERANCES | | CHK'D <i>J. Carter</i> | DATE 11-26-72 | |
| DECIMALS | ANGLES | ENG. <i>J. Carter</i> | DATE 10-2-72 | |
| .XXX - .005 | ± 0° 30' | PRJ. ENG. <i>J. Carter</i> | DATE 10-2-72 | TITLE CIRCUIT SCHEMATIC (861-B PC) |
| .XX - .02 | | PRJ. <i>J. Carter</i> | DATE 10-2-72 | |
| .X - .1 | | PRJ. <i>J. Carter</i> | DATE 10-2-72 | |
| REMOVE BURRS AND BREAK SHARP CORNERS SURFACE QUALITY | | PRJ. <i>J. Carter</i> | DATE 10-2-72 | |
| MATERIAL | NEXT HIGHER ASSY. | | SIZE CODE | NUMBER |
| FINISH | B-DD-861-0 | | DCS | 861-B-1 |
| | SCALE | | | REV. <i>E</i> |
| | SHEET 1 OF 1 | DIST. | | |

142

This drawing and specifications, herein, are the property of Digital Equipment Corporation and shall not be reproduced or copied or used in whole or in part as the basis for the manufacture or sale of items without written permission.

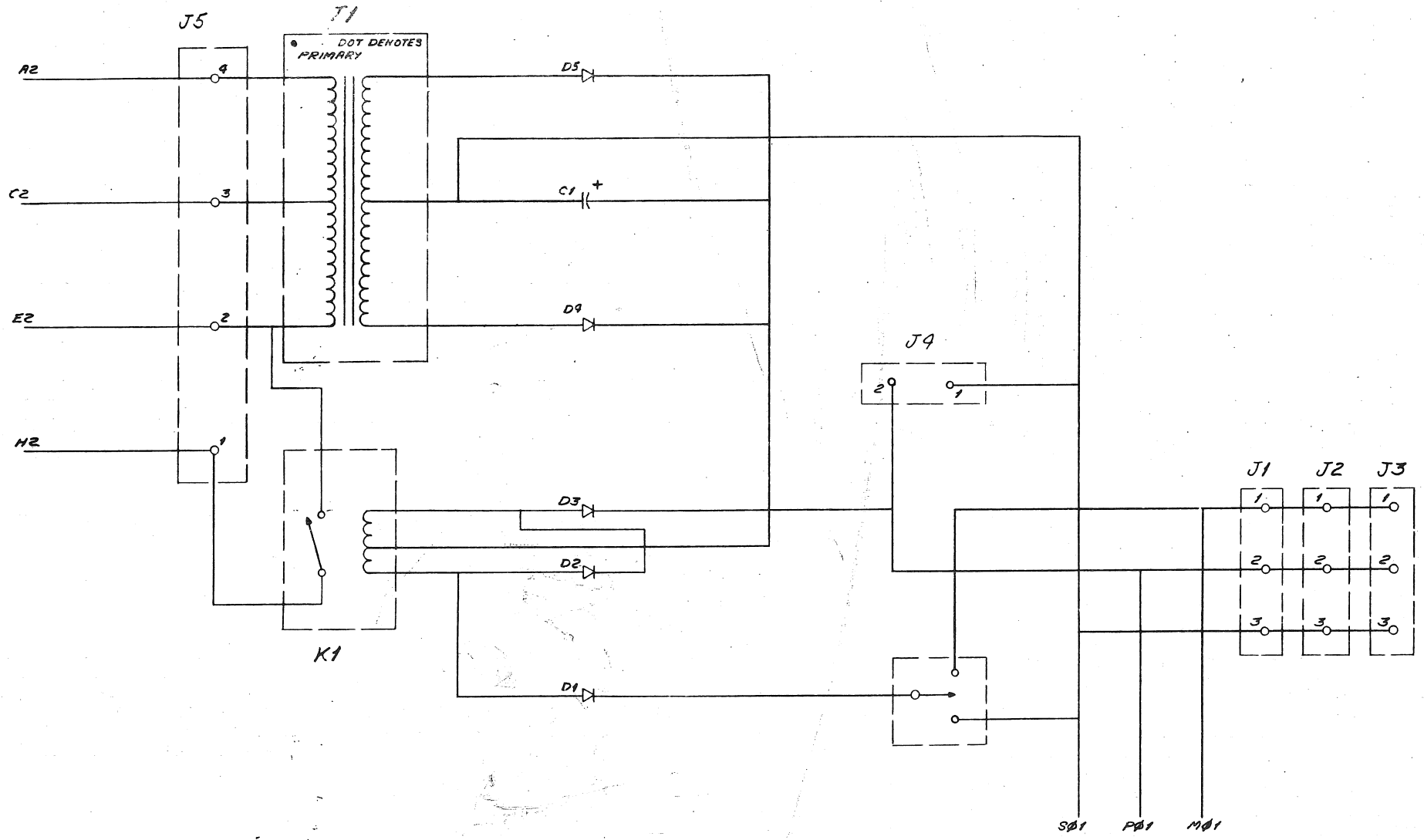
NOTE:
1. R1, R2+R3 ARE MOV VARISTOR SPIKE SUPPRESSORS.



| REV | CHANGE NO. | DATE | BY | CHK'D |
|-----|------------|----------|-------------|-------|
| A | 861-00008 | 12-10-74 | J. Cloutier | |
| B | 861-00009 | 12-12-74 | R. Kennedy | |
| C | 861-00010 | 11-15-74 | R. Kennedy | |
| D | 861-00011 | 12-14-74 | R. Kennedy | |
| E | 861-00012 | 1-15-75 | R. Kennedy | |
| | 861-00013 | 1-15-75 | S. Carter | |
| | 861-00014 | 1-15-75 | S. Carter | |

| FIRST USED ON OPTION/MODEL | QTY. | DESCRIPTION | PART NO. | ITEM NO. |
|---|-------------------------|-----------------|---|----------|
| 861 PC | | | | |
| PARTS LIST | | | | |
| UNLESS OTHERWISE SPECIFIED DIMENSION IN INCHES TOLERANCES | DRN J. Beaman | DATE 9-12-72 | digital EQUIPMENT CORPORATION MAYNARD, MASSACHUSETTS | |
| DECIMALS | CHK'D J. Beaman | DATE 10-6-72 | TITLE CIRCUIT SCHEMATIC | |
| ANGLES | ENG R. Beaman | DATE 10-4-72 | 861-C PC | |
| .XXX = .008 .XX = .02 .X = .1 | PROJ. ENG. R. Beaman | DATE 10-6-72 | SIZE CODE DCS 861-C-1 | |
| REMOVE BURRS AND BREAK SHARP CORNERS SURFACE QUALITY | PRG'D J. Beaman | DATE 10-4-72 | NUMBER REV. E | |
| MATERIAL | NEXT HIGHER ASSY. | SCALE | SHEET OF | |
| FINISH | B-DD-861-Q | DIST. | | |

This drawing and specifications, herein, are the property of Digital Equipment Corporation and shall not be reproduced or copied or used in whole or in part as the basis for the manufacture or sale of items without written permission.



| | |
|-----------|--|
| REV | |
| CHANGE NO | |
| REVISIONS | |
| CHK | |

| FIRST USED ON OPTION/MODEL | QTY. | DESCRIPTION | PART NO. | ITEM NO. |
|---|--|--------------|--|----------|
| 861 P.C. | | PARTS LIST | | |
| UNLESS OTHERWISE SPECIFIED DIMENSION IN INCHES | DRN <i>Balkinist</i> | DATE 8-25-72 | DIGITAL EQUIPMENT CORPORATION MAYNARD MASSACHUSETTS TITLE PILOT CONTROL | |
| TOLERANCES | CHK'D <i>J. Helyar</i> | DATE 7-17-72 | | |
| DECIMALS | ENG <i>J. Smith</i> | DATE 7-17-72 | | |
| ANGLES | PROJ. ENG. <i>J. Smith</i> | DATE 7-17-72 | | |
| .XXX - .005 | PROD. <i>Balkinist</i> | DATE 9-20-72 | | |
| .XX - .02 | REMOV. BURRS AND BREAK SHARP CORNERS SURFACE QUALITY | | | |
| .X - .01 | | | | |
| MATERIAL | NEXT HIGHER ASSY. | SIZE CODE | NUMBER | REV. |
| FINISH | SCALE NONE | DCS | 541020-0-1 | 2 |
| | SHEET 2 OF 2 | DIST. | | |

145

| DIGITAL EQUIPMENT CORPORATION MAYNARD, MASSACHUSETTS | | | | QUANTITY / VARIATION | | | | | | | | | | |
|---|--------------------|----------------------------------|--|------------------------|----------------|-----------------|---------------|---------------|---------------|---------------|---------------|--|--|--|
| PARTS LIST | | | | DX11-BA(115V) | DX11-BB(230V) | DX11-BC(115V) | DX11-BD(230V) | DX11-BE(115V) | DX11-BF(230V) | DX11-BG(115V) | DX11-BH(230V) | | | |
| MADE BY SID ROBERTS | | CHECKED J. CAHILL | | SECTION | | DATE 4/10/72 | | DATE 5/23/72 | | ISSUED SECT. | | | | |
| ENG R. DIETER | | PROD P. FRAZER | | ISSUED SECT. | | | | | | | | | | |
| ITEM NO. | DWG NO. / PART NO. | DESCRIPTION | | | | | | | | | | | | |
| 23 | A-PL-H952-B-Ø | H952-B STABILIZER SET | | | | | | | | | | | | |
| 24 | A-PL-H952-E-Ø | H952-E CASTER SET (PL) | | | | | | | | | | | | |
| 25 | D-IA-700E919-0-0 | IBM 360 CABLE ASSY | | | | | | | | | | | | |
| 26 | D-IA-700E920-0-0 | IBM 360 CABLE ASSY | | | | | | | | | | | | |
| 27 | B-MD-7407530-0-0 | PLATE, HOLDING | | | | | | | | | | | | |
| 28 | 9006024-3 | SCR, PHL HD TRUSS 6-22 x 1/2 LG. | | | | | | | | | | | | |
| 29 | 9008185 | NUT #6 -32 KEP. | | | | | | | | | | | | |
| 30 | D-IA-7409592-0-0 | PNL, PLUG | | | | | | | | | | | | |
| 31 | 9107440-29 | WIRE #14 TWP RED/WHT | | | | | | | | | | | | |
| 32 | 9107440-09 | WIRE #14 TWP BLK/WHT | | | | | | | | | | | | |
| 33 | 9107440-02 | WIRE #14 TWP BLK/RED | | | | | | | | | | | | |
| 34 | 9107370-00 | WIRE #14 KYNAR BLK | | | | | | | | | | | | |
| 35 | 9107370-22 | WIRE #14 KYNAR RED | | | | | | | | | | | | |
| 36 | 9107370-33 | WIRE #14 KYNAR ORN | | | | | | | | | | | | |
| 37 | 9107370-55 | WIRE #14 KYNAR GRN. | | | | | | | | | | | | |
| 38 | 9107370-99 | WIRE #14 KYNAR WHT | | | | | | | | | | | | |
| 39 | 9107350-44 | WIRE #22 KYNAR YEL | | | | | | | | | | | | |
| 40 | 9107350-77 | WIRE #22 KYNAR VIO | | | | | | | | | | | | |
| 41 | D-MU-DX11-B-Ø1 | MODULE UTILIZATION | | | | | | | | | | | | |
| 42 | 9009003 | JUMPER JONES 541-J | | | | | | | | | | | | |
| 43 | A-AL-DX11-B-31 | ACCESSORY LIST | | | | | | | | | | | | |
| TITLE UNIT ASSY DX11-B | | | | ASSY NO. D-UA-DX11-B-Ø | SIZE CODE A PL | NUMBER DX11-B-Ø | | REV. D | ECO NO. | | | | | |
| SHEET 2 OF 4 | | | | DIST. | | | | | | | | | | |

DEC FORM DEC 16 (325)-1031-N870
DRA 110

| DIGITAL EQUIPMENT CORPORATION MAYNARD, MASSACHUSETTS | | | | QUANTITY / VARIATION | | | | | | | | | | |
|---|--------------------|-------------------------------|--|------------------------|----------------|-----------------|---------------|---------------|---------------|---------------|---------------|--|--|--|
| PARTS LIST | | | | DX11-BA(115V) | DX11-BB(230V) | DX11-BC(115V) | DX11-BD(230V) | DX11-BE(115V) | DX11-BF(230V) | DX11-BG(115V) | DX11-BH(230V) | | | |
| MADE BY Sid Roberts | | CHECKED J. Cahill | | SECTION | | DATE 4/10/72 | | DATE 5/23/72 | | ISSUED SECT. | | | | |
| ENG R. Dieter | | PROD P. FRAZER | | ISSUED SECT. | | | | | | | | | | |
| ITEM NO. | DWG NO. / PART NO. | DESCRIPTION | | | | | | | | | | | | |
| 66 | 1209351-15 | PIN HOUSING, MALE MATE-N-LOCK | | | | | | | | | | | | |
| 67 | 1209378 | PIN, (MALE) MATE-N-LOCK | | | | | | | | | | | | |
| 68 | 9006990 | GNB STRAP 5" | | | | | | | | | | | | |
| 69 | 1205724 | GNB STRAP 11" | | | | | | | | | | | | |
| 70 | E-UA-H950-QB-Ø | COVER PANEL 10-1/2 | | | | | | | | | | | | |
| 71 | C-PS-1211386-Ø-Ø | THICK LATCH MOLD | | | | | | | | | | | | |
| 72 | E-UA-861-Ø-Ø | 861-C POWER CONTROL | | | | | | | | | | | | |
| 73 | E-UA-861-Ø-Ø | 861-B POWER CONTROL | | | | | | | | | | | | |
| 74 | BC05 H | 115V AC INPUT BOX LINE CORD | | | | | | | | | | | | |
| 75 | BC05 J | 230V AC INPUT BOX LINE CORD | | | | | | | | | | | | |
| 76 | D-UA-H722-Ø-Ø | H722 STEP DOWN TRANS. | | | | | | | | | | | | |
| 77 | 90-Ø8853 | 230 VOLT PLUG | | | | | | | | | | | | |
| 78 | 9107673-6 | 6' LINE CORD | | | | | | | | | | | | |
| 79 | 9107673-9 | 9' LINE CORD | | | | | | | | | | | | |
| 80 | 7008288-8 | FWR CONTROL CABLE | | | | | | | | | | | | |
| 81 | 9007867 | CABLE TIE MOUNT | | | | | | | | | | | | |
| TITLE UNIT ASSY DX11-B | | | | ASSY NO. D-UA-DX11-B-Ø | SIZE CODE A PL | NUMBER DX11-B-Ø | | REV. D | ECO NO. | | | | | |
| SHEET 4 OF 4 | | | | DIST. | | | | | | | | | | |

DEC FORM DEC 16 (325) 1031 N870
DRA 110

| DIGITAL EQUIPMENT CORPORATION MAYNARD, MASSACHUSETTS | | | | QUANTITY / VARIATION | | | | | | | | | | |
|---|--------------------|-----------------------------------|--|------------------------|----------------|-----------------|---------------|---------------|------------------|---------------|---------------|--|--|--|
| PARTS LIST | | | | DX11-BA(115V) | DX11-BB(230V) | DX11-BC(115V) | DX11-BD(230V) | DX11-BE(115V) | DX11-BF(230V) | DX11-BG(115V) | DX11-BH(230V) | | | |
| MADE BY SID ROBERTS | | CHECKED J. CAHILL | | SECTION | | DATE 4/10/72 | | DATE 5/23/72 | | ISSUED SECT. | | | | |
| ENG R. DIETER | | PROD P. FRAZER | | ISSUED SECT. | | | | | | | | | | |
| ITEM NO. | DWG NO. / PART NO. | DESCRIPTION | | | | | | | | | | | | |
| 1 | E-UA-H95Ø-Q-Ø | COVER PANEL 10 1/2 (H95Ø-Q) | | | | | | | | | | | | |
| 2 | D-UA-H95Ø-PB-Ø | COVER PANEL 5 1/4 (H95Ø-P) | | | | | | | | | | | | |
| 3 | D-AD-7006331-27 | INDICATOR PANEL ASSY | | | | | | | | | | | | |
| 4 | D-AD-7008942-1 | PNL, LOGO (H957) | | | | | | | | | | | | |
| 5 | D-IA-7407936-1 | PNL, LOGO (H950) | | | | | | | | | | | | |
| 6 | C-PL-7006501-1-Ø | BASIC CABINET ASSY (19") | | | | | | | | | | | | |
| 7 | E-UA-H957-A-Ø | 19 INCH FRAME ASSY (H957-A) | | | | | | | | | | | | |
| 8 | E-UA-7008792-Ø-Ø | EPO PANEL ASSY | | | | | | | | | | | | |
| 9 | D-UA-H957-FA | END PANEL (H957) | | | | | | | | | | | | |
| 10 | D-UA-H957-FB | END PANEL (H957) | | | | | | | | | | | | |
| 11 | D-AD-7008962-Ø-Ø | LOGIC ASSY | | | | | | | | | | | | |
| 12 | D-UA-H957-H-Ø | FAN ASSY (H957) | | | | | | | | | | | | |
| 13 | D-UA-716-Ø-Ø | 716 POWER SUPPLY | | | | | | | | | | | | |
| 14 | 9006070-1 | SCR, PHL PAN HD #10-32 x 5/16 LG. | | | | | | | | | | | | |
| 15 | 9006586 | NUT, TINNEMAN #10-32 | | | | | | | | | | | | |
| 16 | D-UA-H957-B-Ø | H957-B FULL LENGTH DOOR | | | | | | | | | | | | |
| 17 | D-UA-H957-D-Ø | H957-D MTG PANEL DOOR | | | | | | | | | | | | |
| 18 | D-MD-7408232-Ø-Ø | BRACKET, SIDE | | | | | | | | | | | | |
| 19 | D-UA-H740-D | H740-D POWER SUPPLY | | | | | | | | | | | | |
| 20 | D-UA-H72Ø-F-Ø | H72Ø-F POWER SUPPLY | | | | | | | | | | | | |
| 21 | D-IA-7408392-Ø-Ø | CHASSIS POWER SUPPLY | | | | | | | | | | | | |
| 22 | A-PL-H952-F-Ø | H952-F LEVELER SET (PL) | | | | | | | | | | | | |
| TITLE UNIT ASSY DX11-B | | | | ASSY NO. D-UA-DX11-B-Ø | SIZE CODE A PL | NUMBER DX11-B-Ø | | REV. D | ECO NO. DX11-B-Ø | | | | | |
| SHEET 1 OF 4 | | | | DIST. | | | | | | | | | | |

DEC FORM DEC 16 (325)-1031-N870
DRA 110

146

| DIGITAL EQUIPMENT CORPORATION MAYNARD, MASSACHUSETTS | | | | QUANTITY / VARIATION | | | | | | | | | | |
|---|--------------------|------------------------------------|--|------------------------|----------------|-----------------|---------------|---------------|---------------|---------------|---------------|--|--|--|
| PARTS LIST | | | | DX11-BA(115V) | DX11-BB(230V) | DX11-BC(115V) | DX11-BD(230V) | DX11-BE(115V) | DX11-BF(230V) | DX11-BG(115V) | DX11-BH(230V) | | | |
| MADE BY SID ROBERTS | | CHECKED J. CAHILL | | SECTION | | DATE 4/10/72 | | DATE 5/23/72 | | ISSUED SECT. | | | | |
| ENG R. DIETER | | PROD PAUL FRAZER | | ISSUED SECT. | | | | | | | | | | |
| ITEM NO. | DWG NO. / PART NO. | DESCRIPTION | | | | | | | | | | | | |
| 44 | 9007651 | WASHER EXT TOOTH #10 | | | | | | | | | | | | |
| 45 | 9007880 | TIE WRAP 5/8 X 1/8W | | | | | | | | | | | | |
| 46 | 9007033 | TIE WRAP 6/4 X 3/16W | | | | | | | | | | | | |
| 47 | 9008442 | CABLE CLAMP | | | | | | | | | | | | |
| 48 | 9107240 | TUBING SPIRAL WRAP 1/2 DIA | | | | | | | | | | | | |
| 49 | 9007927 | SOLDERLESS CONN #6 (BLU) | | | | | | | | | | | | |
| 50 | 9007919 | SOLDERLESS CONN (BLU) | | | | | | | | | | | | |
| 51 | 9007929 | SOLDERLESS CONN #6 (RED) | | | | | | | | | | | | |
| 52 | 9007917 | SOLDERLESS CONN (RED) | | | | | | | | | | | | |
| 53 | 9007772-3 | CLAMP DAKOTA 3/8 | | | | | | | | | | | | |
| 54 | 9007621 | GROMMET-CATER PILLAR | | | | | | | | | | | | |
| 55 | 9006634 | WASH INT TOOTH #6 | | | | | | | | | | | | |
| 56 | 9006073-1 | SCR PHL HD PAN #10-32 3/8 LG | | | | | | | | | | | | |
| 57 | 9006070-1 | SCR PHL HD PAN #10-32 x 5/16 LG | | | | | | | | | | | | |
| 58 | 9006586 | NUT, TINNEMAN #10-32 | | | | | | | | | | | | |
| 59 | 9006024-3 | SCR PHL HD TRUSS #5-32 x 1/2 | | | | | | | | | | | | |
| 60 | 9006024-3 | SCR PHL HD TRUSS #5-32 x 1/2 | | | | | | | | | | | | |
| 61 | 9007036 | GROMMET CASTER PILLAR | | | | | | | | | | | | |
| 62 | 9006917 | TERMINAL STRIP #13-541 CINCH JONES | | | | | | | | | | | | |
| 63 | B-MD-100156-1/2 | PROTECTION COVER (541 TERMINAL) | | | | | | | | | | | | |
| 64 | 1209403 | FAN BOXER | | | | | | | | | | | | |
| 65 | C-MD-7404881-Ø-Ø | FAN SCREEN | | | | | | | | | | | | |
| TITLE UNIT ASSY DX11-B | | | | ASSY NO. D-UA-DX11-B-Ø | SIZE CODE A PL | NUMBER DX11-B-Ø | | REV. D | ECO NO. | | | | | |
| SHEET 3 OF 4 | | | | DIST. | | | | | | | | | | |

DEC FORM DEC 16 (325) 1031 N870
DRA 110

This drawing and specifications, herein, are the property of Digital Equipment Corporation and shall not be reproduced or copied or used in whole or in part as the basis for the manufacture or sale of items without written permission.


REV. NUMBER SIZE CODE K FS DXII-B-31 2

B

B

A

A

| FIRST USED ON OPTION MODEL | QTY. | DESCRIPTION | PART NO. | ITEM NO. |
|----------------------------------|-----------------|---|---------------------|----------|
| DXII-B | | | | |
| PARTS LIST | | | | |
| DRN <i>S. Roberts</i> | DATE 5/24/72 |  DIGITAL EQUIPMENT CORPORATION <small>MAYNARD, MASSACHUSETTS</small> | | |
| CHK'D. <i>[Signature]</i> | DATE 5-24-72 | | | |
| ENG. <i>[Signature]</i> | DATE 5-31-72 | | | |
| PROJ. ENG. <i>[Signature]</i> | DATE 5-31-72 | | | |
| PROD. <i>[Signature]</i> | DATE 6-8-72 | | | |
| NEXT HIGHER ASSEMBLY | | TITLE FUNCTIONAL SPECIFICATIONS (DXII-B) | | |
| B-DD-DXII-B | | | | |
| SCALE <i>1/1</i> | | | | |
| SHEET 1 OF 1 | | SIZE CODE K FS | NUMBER DXII-B-31 | REV. |

DIGITAL EQUIPMENT CORPORATION
MAYNARD, MASSACHUSETTS

ACCESSORY LIST

LEGEND

D DOCUMENT
DN DOCUMENT CHANGE
NOTICE
PA PAPER TAPE ASCII
PB PAPER TAPE BINARY
PM PAPER TAPE
READ-IN-MODE

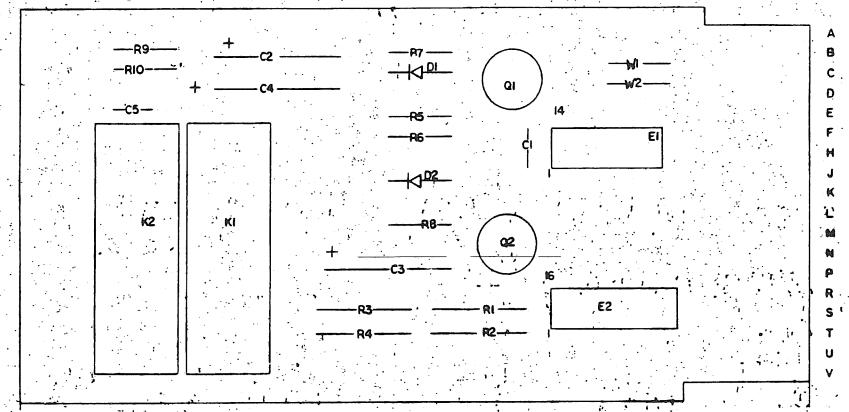
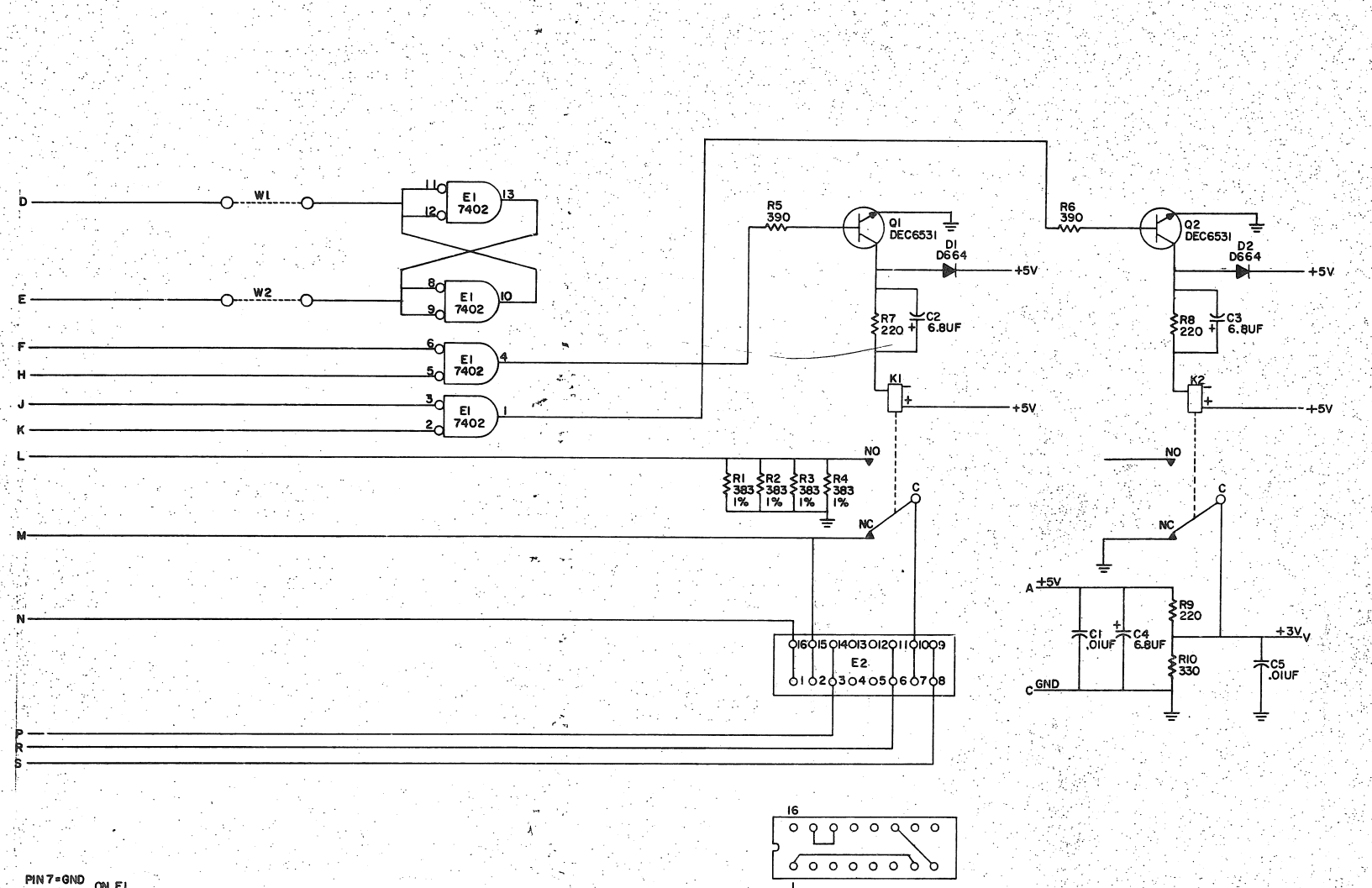
QUANTITY/VARIATION

| | | |
|-----------------------------------|-------------------------|-------------------|
| MADE BY R. Dieter DATE 5-31-72 | CHECKED DATE 5-31-72 | SECTION 1 |
| ENG R. Dieter DATE 5-31-72 | PROD DATE | ISSUED SECT. 1 |

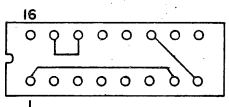
| ITEM NO. | DWG NO. / PART NO. | DESCRIPTION | DX11-B, BB, BC, BD | | DX11-BE, BF, BG, BH | | KIT CHECK | BY | DATE | INSTALLATION CHECK | BY | DATE |
|-----------------------------|----------------------|---|--------------------|--|---------------------|--|------------------|----|--------|--------------------|----|------|
| | | | | | | | | | | | | |
| 1 | B-DD-DX11B-Ø | DX11-B Print Set | | | | | | | | | | |
| 2 | LIBKIT-11-DX11-B-A-K | Software Kit | | | | | | | | | | |
| 3 | 70-08288-8 | Power Control Cable 8 ft. | | | | | | | | | | |
| 4 | BC11-A-XX | Unibus Cable | | | | | | | | | | |
| 5 | DEC-11-HDXBA-A-D | DX11-B Maintenance Manual | | | | | | | | | | |
| | NOTE: XX ----- | Length depends on system configuration, unless otherwise specified will be 10 ft. | | | | | | | | | | |
| TITLE ACCESSORY LIST DX11-B | | | ASSY. NO. DX11-B | | SIZE CODE A AL | | NUMBER DX11-B-35 | | REV. A | ECO NO. LX11B-0005 | | |
| SHEET 1 OF 1 | | | DIST. | | | | | | | | | |

148

THIS SCHEMATIC IS FURNISHED ONLY FOR TEST AND MAINTENANCE PURPOSES. THE CIRCUITS ARE PROPRIETARY IN NATURE AND SHOULD BE TREATED ACCORDINGLY. COPYRIGHT 1972 BY DIGITAL EQUIPMENT CORPORATION



PIN 7=GND ON E1
 PIN 14=+5V



I209837 - JUMPER PLUG FOR E2

| A/R | DESCRIPTION | QTY | REF. DESIGNATION |
|-----|------------------------------|-----|------------------|
| | #24 or #26 AWG (FOR PLUG) | 20 | |
| | TAPE TRANSPARENT VINYL | 19 | 9008269 |
| | HANDLE, FLIP CHIP - GREEN | 18 | 9008337-01 |
| 1 | EYELET #034-7 | 17 | 9006732 |
| 1 | I.C. DEC 7402 | 16 | 1909004 |
| 2 | Q1, Q2 | 15 | 1509338 |
| 4 | R1, R2, R3, R4 | 16 | 1305125 |
| 2 | R5, R6 | 13 | 1300300 |
| 1 | R10 | 12 | 1300295 |
| 3 | R9, R7, R8 | 11 | 1300271 |
| 1 | R10 | 10 | 1209838 |
| 1 | E2 | 9 | 1209837 |
| 1 | PLUG 16 PHONO | 8 | 1209837 |
| 2 | K1, K2 | 7 | 1100114 |
| 2 | D1, D2 | 6 | 1001610 |
| 2 | C1, C5 | 5 | 1000067 |
| 3 | C2, C3, C4 | 4 | 5009933 |
| 1 | ETCHED CIRCUIT BOARD | 3 | B-NH-0890-0-6 |
| | MODULE: ECO HISTORY | 2 | D-AR-0890-0-5 |
| | ASSY/DRILLING HOLE LAYOUT | 1 | K-CO-0890-0-4 |
| | X-Y COORDINATE HOLE LOCATION | | DEC PART NO. |

| | | | |
|-----------|---------|----------|-------------|
| REVISIONS | DATE | BY | DESCRIPTION |
| 1 | 1-27-72 | W. H. H. | INITIAL |
| 2 | 1-27-72 | W. H. H. | INITIAL |
| 3 | 1-27-72 | W. H. H. | INITIAL |
| 4 | 1-27-72 | W. H. H. | INITIAL |

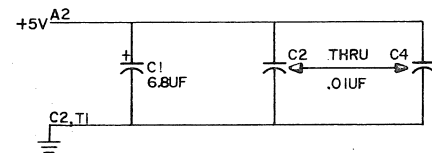
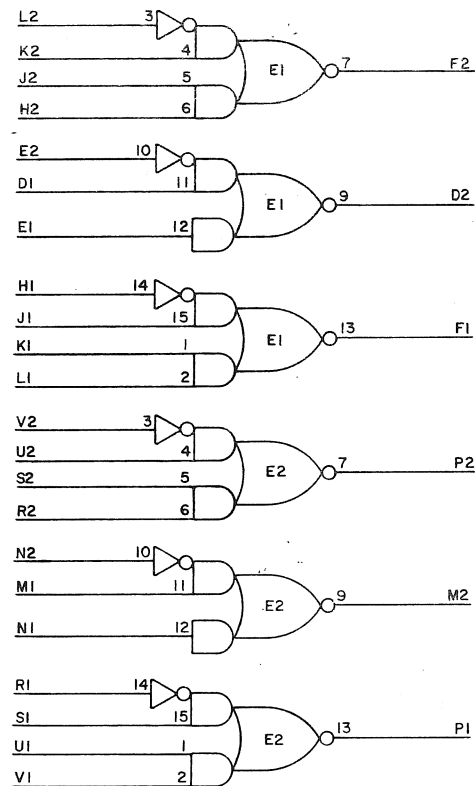
| | |
|------|----------|
| DATE | 1-27-72 |
| BY | W. H. H. |
| DATE | 1-27-72 |
| BY | W. H. H. |

| | | | | |
|-------------------------------------|----------|----------|----------|----|
| TRANSISTOR & DIODE CONVERSION CHART | DEC | EA | DEC | EA |
| DEC 6531 | IMP 6531 | DEC 6531 | IMP 6531 | |
| D664 | IMP D664 | D664 | IMP D664 | |

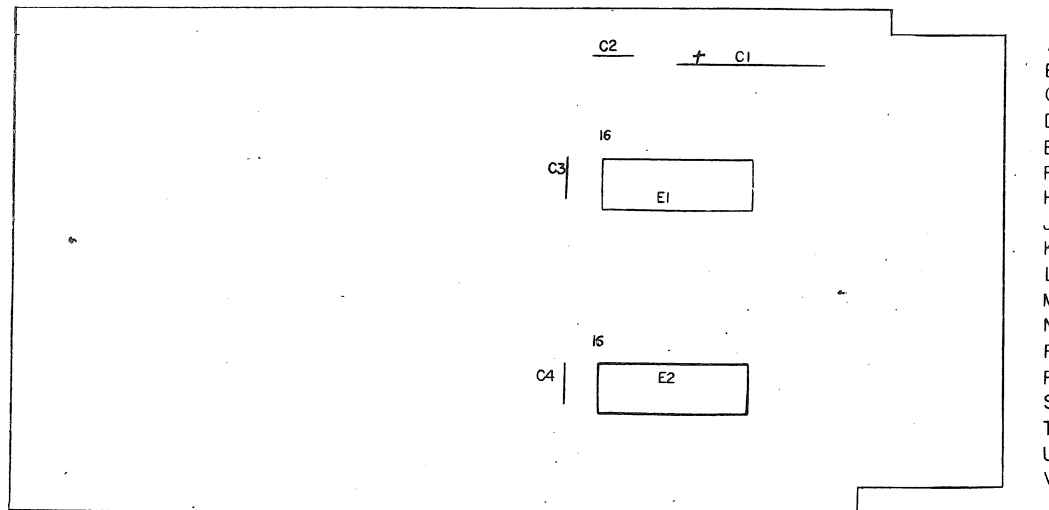
| | | | |
|-----------------------|------|-----------------------------------|----------|
| TITLE | | 360 POWER FAIL AND SELECT BY-PASS | |
| DESIGN | D CS | NUMBER | 6890-0-1 |
| EQUIPMENT CORPORATION | | PRINTED CIRCUIT REV. B | |

MS1573

THIS SCHEMATIC IS FURNISHED ONLY FOR TEST AND MAINTENANCE PURPOSES. THE CIRCUITS ARE PROPRIETARY IN NATURE AND SHOULD BE TREATED ACCORDINGLY. COPYRIGHT 1971 BY DIGITAL EQUIPMENT CORPORATION



PIN 16 = +5V
PIN 8 = GND



REV. A
NUMBER M597-0-1
SIZE CODE C CS

| QTY. | REP. DESIGNATION | DESCRIPTION | DEC PART NO. | REV. |
|------|------------------|------------------------------|---------------|------|
| 2 | | EYELET | 9006732 | 9 |
| 1 | | HANDLE, FLIP CHIP - MAGENTA | 9003337-06 | 8 |
| 2 | E1, E2 | I.C. 8TTL4 SIG. | 1910528 | 7 |
| 3 | C2 - C4 | CAP. .01UF 100V 20% DISC | 1001610 | 6 |
| 1 | C1 | CAP. 6.8UF 35V 20% S.TANT | 1000067 | 5 |
| 1 | | ETCHED CIRCUIT BOARD | 5008912 | 4 |
| | | MODULE ECO HISTORY | B-MH-M597-0-6 | 3 |
| | | ASSY/DRILLING HOLE LAYOUT | D-AH-M597-0-5 | 2 |
| | | X-Y COORDINATE HOLE LOCATION | K-CO-M597-0-4 | 1 |
| | | | | |

| REVISIONS | CHK'D | DATE |
|-----------|-------|------|
| 1 | | |
| 2 | | |
| 3 | | |
| 4 | | |
| 5 | | |
| 6 | | |
| 7 | | |
| 8 | | |
| 9 | | |
| 10 | | |
| 11 | | |
| 12 | | |
| 13 | | |
| 14 | | |
| 15 | | |
| 16 | | |
| 17 | | |
| 18 | | |
| 19 | | |
| 20 | | |

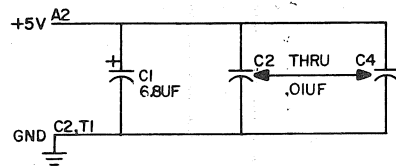
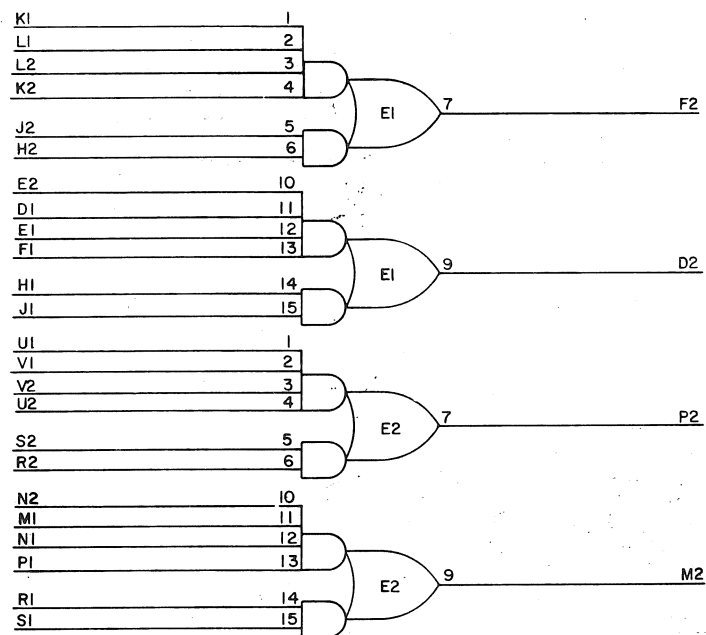
| DRN. | DATE |
|---------------|---------|
| B. J. Nail | 7/15/77 |
| W. M. Moore | 7/15/77 |
| K. D. D'Amico | 9/13/77 |
| | |
| | |
| | |

| TRANSISTOR & DIODE CONVERSION CHART | | | |
|-------------------------------------|-----|-----|-----|
| DEC | EIA | DEC | EIA |
| | | | |
| | | | |
| | | | |
| | | | |

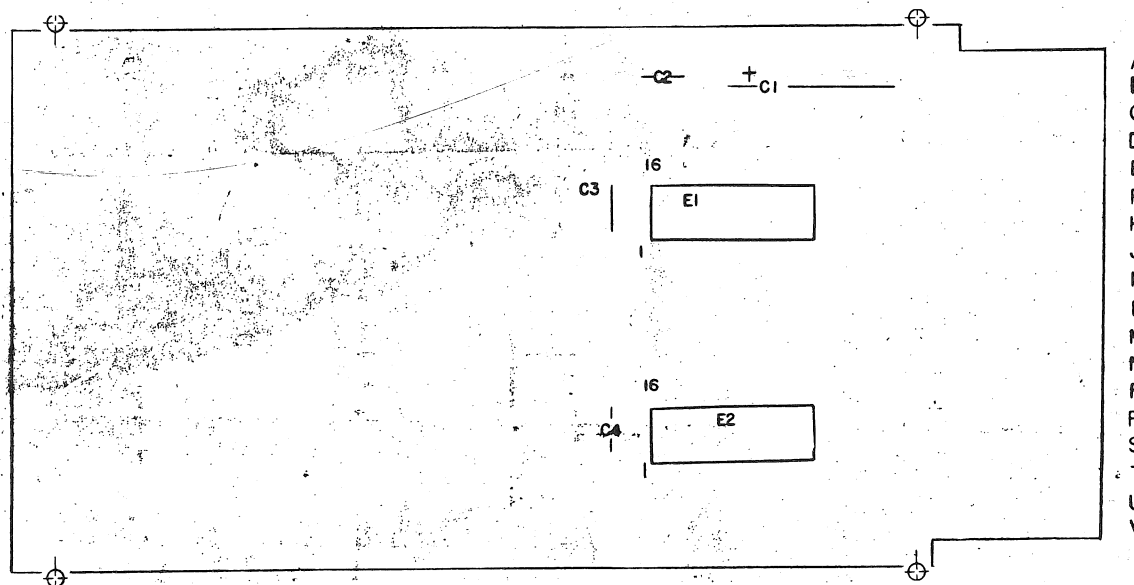
EQUIPMENT CORPORATION
MAYNARD, MASSACHUSETTS

| TITLE | | | |
|----------------------|------|----------|------|
| 360 CABLE RECEIVER | | | |
| SIZE | CODE | NUMBER | REV. |
| C | CS | M597-0-1 | A |
| PRINTED CIRCUIT REV. | | | |
| D | | | |

THIS SCHEMATIC IS FURNISHED ONLY FOR TEST AND MAINTENANCE PURPOSES. THE CIRCUITS ARE PROPRIETARY IN NATURE AND SHOULD BE TREATED ACCORDINGLY. COPYRIGHT 1971 BY DIGITAL EQUIPMENT CORPORATION



PIN 8 = GND ON E1, E2
PIN 16 = +5V ON E1, E2



| QTY | REF. DESIGNATION | DESCRIPTION | PART NO. | ITEM REF. |
|-----|------------------|------------------------------|---------------|-----------|
| | | | | 10 |
| 1 | | HANDLE FLIP CHIP-MAGENTA | 9008337-06 | 9 |
| 2 | | EYELET #GSL-7 | 9006732 | 8 |
| 2 | E1, E2 | IC 8T13 | 19-10529 | 7 |
| 3 | C2, C3, C4 | CAP .01UF 100V 20% DISC | 10-01610 | 6 |
| 1 | C1 | CAP 6.8 UF 35V 20% STANT | 10-00087 | 5 |
| 1 | | ETCHED CIRCUIT BOARD | 5008912 | 4 |
| | | MODULE ECO HISTORY | B-MH-M697-0-6 | 3 |
| | | ASSY/DRILLING HOLE LAYOUT | D-AH M697-0-5 | 2 |
| | | X-Y COORDINATE HOLE LOCATION | K-GO-M697-0-4 | 1 |

| REV. | CHG NO. | REV. |
|------|---------|------|
| 2 | 00001 | A |
| 1 | 00000 | A |

| DRN | DATE |
|--------------------|---------|
| <i>C. J. Nails</i> | 7/13/71 |
| CHKD | DATE |
| <i>MARY HARRIS</i> | 7-23-71 |
| ENG | DATE |
| <i>R. Ooster</i> | 9-13-71 |
| PROV. | DATE |

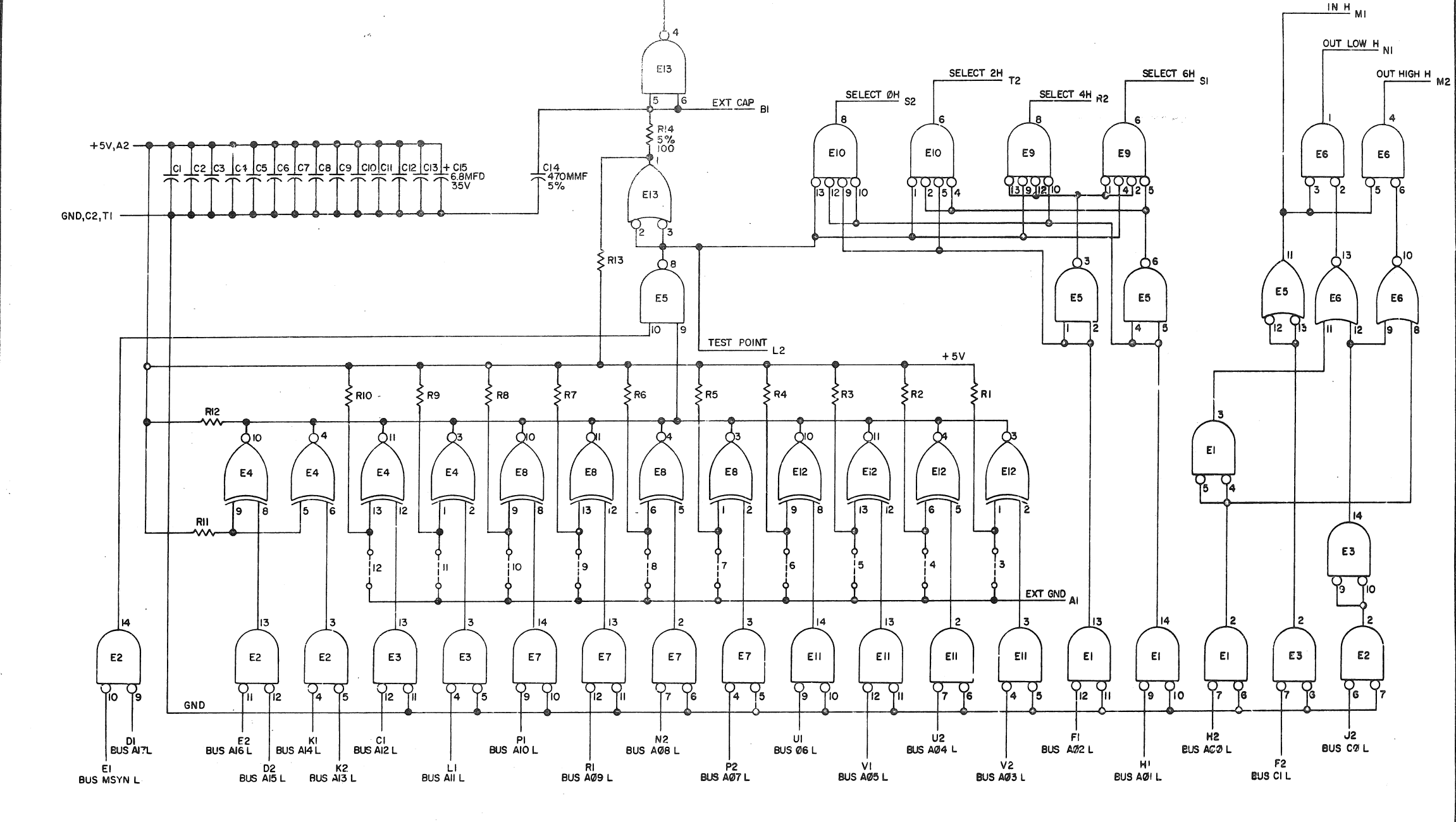
| TRANSISTOR & DIODE CONVERSION CHART | | | |
|-------------------------------------|-----|-----|-----|
| DEC | EIA | DEC | EIA |
| | | | |



| TITLE | | | |
|----------------------|------|----------|------|
| 360 CABLE DRIVER | | | |
| SIZE | CODE | NUMBER | REV. |
| C | CS | M697-0-1 | A |
| PRINTED CIRCUIT REV. | | | |
| D | | | |

REV. A
NUMBER M697-0-1
SIZE CODE C CS

THIS SCHEMATIC IS FURNISHED ONLY FOR TEST AND MAINTENANCE PURPOSES. THE CIRCUITS ARE PROPRIETARY IN NATURE AND SHOULD BE TREATED ACCORDINGLY. COPYRIGHT 1969 BY DIGITAL EQUIPMENT CORPORATION



UNLESS OTHERWISE INDICATED:
 ○--○ INDICATES JUMPERS
 RESISTORS ARE 1K, 1/4W, 5%
 CAPACITORS ARE 0.1MFD, 100V, 20%
 E1, E2, E3, E7, E11 ARE DEC8640
 E4, E8, E12 ARE DEC8242
 E9, E10 ARE DEC8815
 E5 IS DEC7400
 E6 IS DEC7402
 E13 IS DEC8881
 PIN 1 ON E1, E2, E3, E7, E11 = GND
 PIN 8 ON E1, E2, E3, E7, E11 = +5V
 PIN 7 ON E4, E5, E6, E8, E9, E10, E12, E13 = GND
 PIN 14 ON E4, E5, E6, E8, E9, E10, E12, E13 = +5V

| REV | CHG | NO | REV |
|-----|-----|-------|-----|
| 1 | | 00002 | A |
| 2 | | 00003 | C |

| | |
|------------------|----------|
| DRM | DATE |
| <i>B. Riley</i> | 11-26-68 |
| CHK'D | DATE |
| <i>L. L. ...</i> | 1-9-70 |
| ENG | DATE |
| <i>P. ...</i> | 3-2-70 |
| PROD | DATE |
| <i>...</i> | 1/9/71 |

| TRANSISTOR & DIODE CONVERSION CHART | | | |
|-------------------------------------|-----|-----|-----|
| DEC | EIA | DEC | EIA |
| | | | |
| | | | |



| | | | |
|-----------------------|------|----------|-----|
| TITLE | | | |
| ADDRESS SELECTOR MI05 | | | |
| SIZE | CODE | NUMBER | REV |
| C | CS | MI05-0-1 | C |
| PRINTED CIRCUIT REV. | | | |
| C | | | |

152

MI05-44-PL

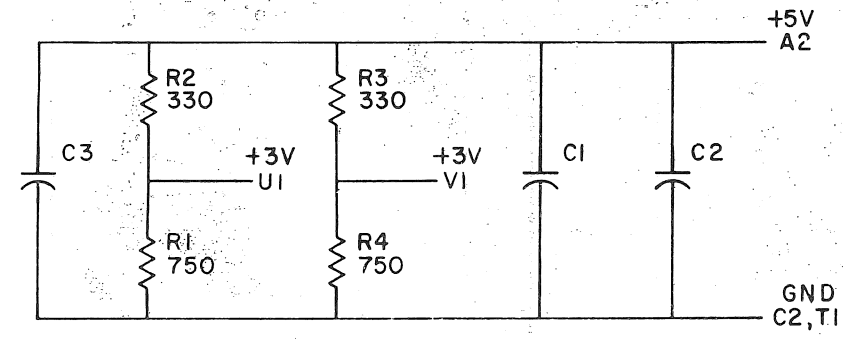
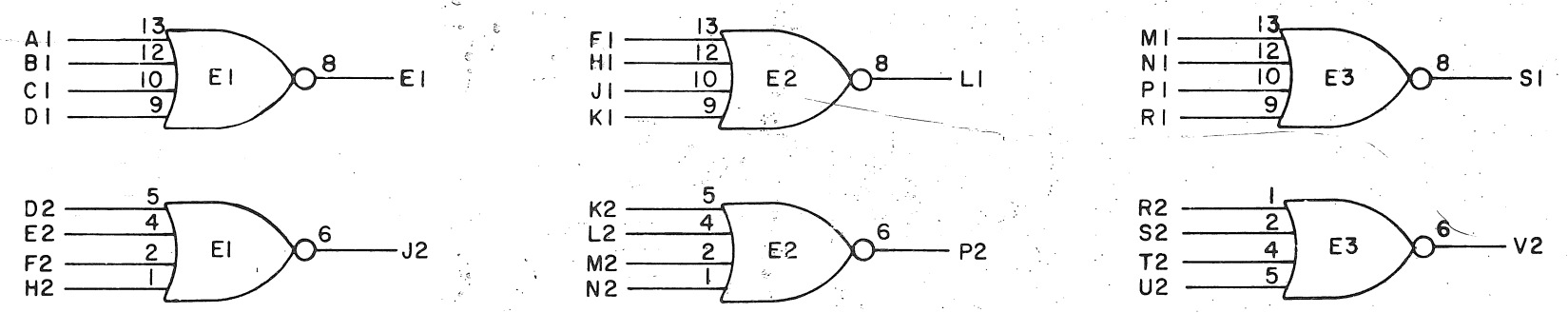
DRM: 3.25 7.54 13.53

5

Pink

REV. C
 NUMBER MI05-0-1
 SIZE CODE CS

THIS SCHEMATIC IS FURNISHED ONLY FOR TEST AND MAINTENANCE PURPOSES. THE CIRCUITS ARE PROPRIETARY IN NATURE AND SHOULD BE TREATED ACCORDINGLY. COPYRIGHT 1970 BY DIGITAL EQUIPMENT CORPORATION

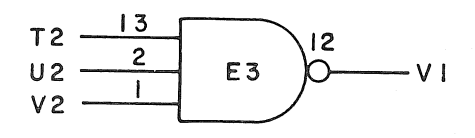
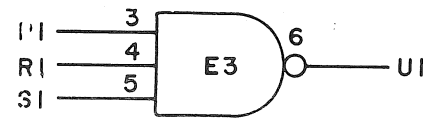
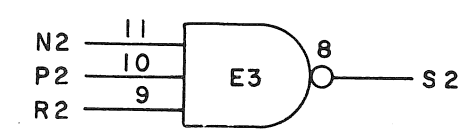
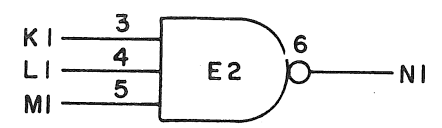
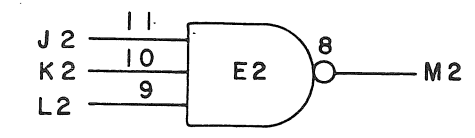
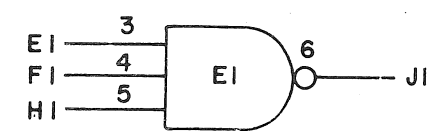
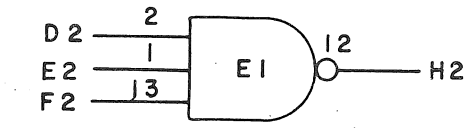
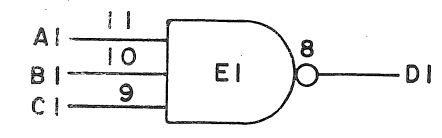
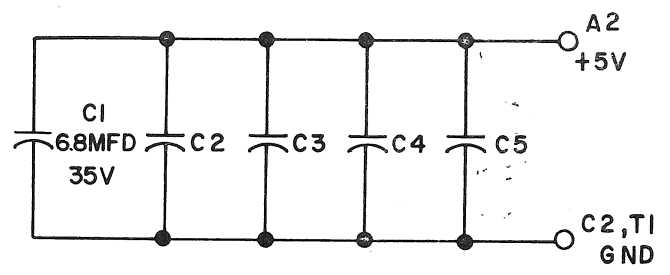


UNLESS OTHERWISE INDICATED:
 RESISTORS ARE 1/4W, 5%
 CAPACITORS ARE .01 UF, 100V, 20%
 IC'S ARE DEC8815
 PIN 7 = GND
 PIN 14 = +5V ON EACH IC

| | | | | | | | | | | | | | | | | | | | | |
|--|---|--|-----|-----|-----|-----|--|--|--|--|--|--|--|--|--|--|--|--|--|---|
| REVISIONS CHK. NO. 00001 A CHG. NO. b.j. hale 9-20-72 D. BAKER 4/20/72 | DRN. S Cooper DATE 12-7-70 CHK'D D Smith DATE 12-7-70 ENG. Delag DATE 3-1-71 PROD. DATE | TRANSISTOR & DIODE CONVERSION CHART <table border="1" style="width: 100%; border-collapse: collapse;"> <tr> <td>DEC</td> <td>EIA</td> <td>DEC</td> <td>EIA</td> </tr> <tr> <td> </td> <td> </td> <td> </td> <td> </td> </tr> <tr> <td> </td> <td> </td> <td> </td> <td> </td> </tr> <tr> <td> </td> <td> </td> <td> </td> <td> </td> </tr> </table> | DEC | EIA | DEC | EIA | | | | | | | | | | | | | digital EQUIPMENT CORPORATION <small>MAYNARD, MASSACHUSETTS</small> | TITLE 6-QUAD NORGATE M116 SIZE CODE NUMBER REV. B CS M116-0-1 A PRINTED CIRCUIT REV. A |
| DEC | EIA | DEC | EIA | | | | | | | | | | | | | | | | | |
| | | | | | | | | | | | | | | | | | | | | |
| | | | | | | | | | | | | | | | | | | | | |
| | | | | | | | | | | | | | | | | | | | | |

THIS SCHEMATIC IS FURNISHED ONLY FOR TEST AND MAINTENANCE PURPOSES. THE CIRCUITS ARE PROPRIETARY IN NATURE AND SHOULD BE TREATED ACCORDINGLY. COPYRIGHT 1969 BY DIGITAL EQUIPMENT CORPORATION

↓
 REV. B
 NUMBER M135-0-1
 CS B
 SIZE B

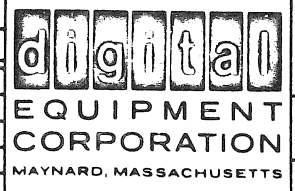


UNLESS OTHERWISE INDICATED:
 IC'S ARE DEC74H10
 PIN 7 ON EACH IC = GND
 PIN 14 ON EACH IC = +5V
 CAPACITORS ARE .01MFD 50V

| REV. NO. | CHK | CHG NO. | REV. |
|----------|-----|---------|------|
| B | | 00001 | |

| | |
|-------------------|-------------|
| DRN. <i>Adams</i> | DATE 5-3-69 |
| CHKD. <i>...</i> | DATE 3-3-69 |
| ENG. <i>NEO</i> | DATE 9-7-69 |
| PROD. | DATE |

| TRANSISTOR & DIODE CONVERSION CHART | | | |
|-------------------------------------|-----|-----|-----|
| DEC | EIA | DEC | EIA |
| | | | |
| | | | |
| | | | |
| | | | |
| | | | |
| | | | |



| | | | |
|------------------------------|---------|-----------------|--------|
| TITLE 3 INPUT NAND GATE M135 | | | |
| SIZE B | CODE CS | NUMBER M135-0-1 | REV. B |
| PRINTED CIRCUIT REV. A | | | |

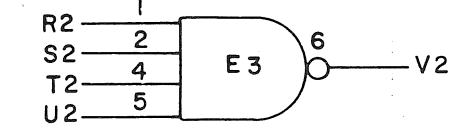
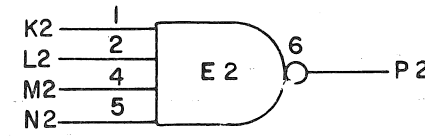
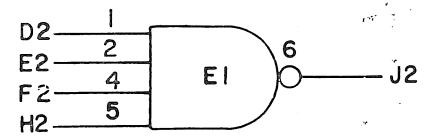
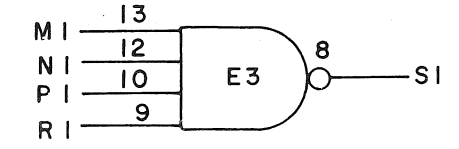
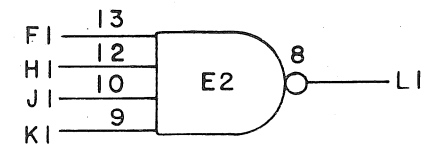
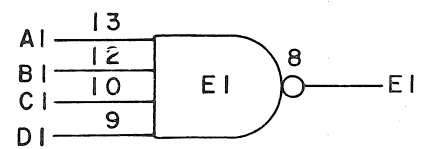
DEC FORM NO. DRB 102

154

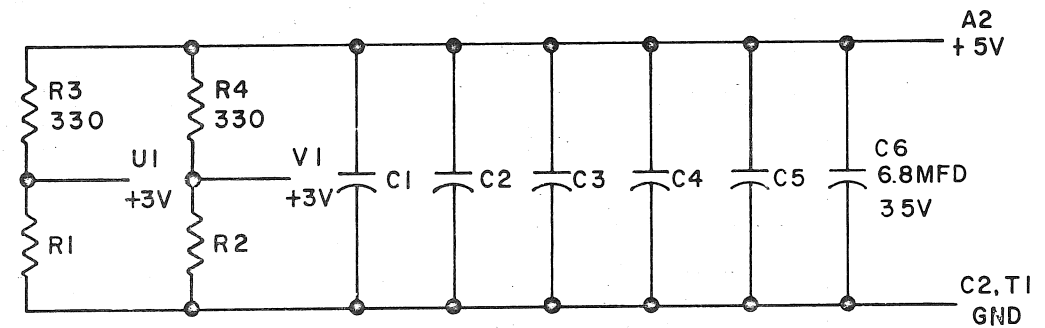


DIST. 324.450.13 3 P100

THIS SCHEMATIC IS FURNISHED ONLY FOR TEST AND MAINTENANCE PURPOSES. THE CIRCUITS ARE PROPRIETARY IN NATURE AND SHOULD BE TREATED ACCORDINGLY. COPYRIGHT 1969 BY DIGITAL EQUIPMENT CORPORATION



UNLESS OTHERWISE INDICATED:
 IC'S ARE DEC 74 H20N
 PIN 7 ON EACH IC = GND
 PIN 14 ON EACH IC = +5V
 CAPACITORS ARE .01 MFD
 RESISTORS ARE 750; 1/4W 5%



| REVISIONS | CHK | CHG NO. | REV. |
|-----------|-----|---------|------|
| | | | |

| | |
|-----------------------------|-----------------|
| DRN. <i>DeFecting</i> | DATE 3-3-69 |
| CHK'D <i>R. Sullivan</i> | DATE 5/19/69 |
| ENG. <i>DC'Amor</i> | DATE 1/19/69 |
| PROD. | DATE |

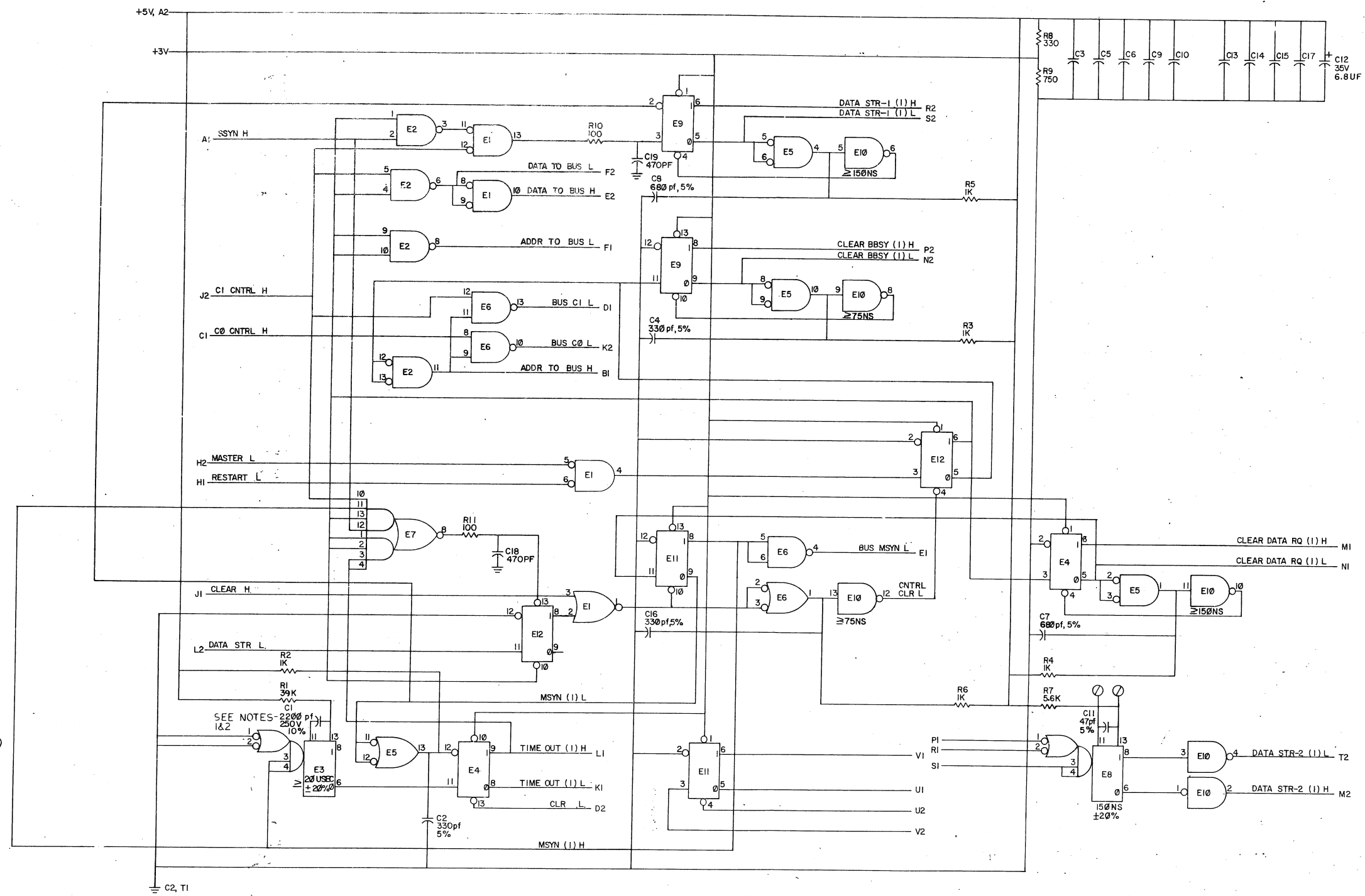
| TRANSISTOR & DIODE CONVERSION CHART | | | |
|-------------------------------------|-----|-----|-----|
| DEC | EIA | DEC | EIA |
| | | | |
| | | | |
| | | | |
| | | | |



| | | | |
|--------------------------------------|------------|--------------------|------|
| TITLE 6-4 INPUT NAND GATE M137 | | | |
| SIZE B | CODE CS | NUMBER M137-0-1 | REV. |
| PRINTED CIRCUIT REV. | | | A |

THIS SCHEMATIC IS FURNISHED ONLY FOR TEST AND MAINTENANCE PURPOSES. THE CIRCUITS ARE PROPRIETARY IN NATURE AND SHOULD BE TREATED ACCORDINGLY. COPYRIGHT 1970 BY DIGITAL EQUIPMENT CORPORATION

1-0-462M SC D
REV. NUMBER 001 1/11



NOTE: 1. C1 IS CHANGED TO 5000PF ± 20% (1001765) FOR A DELAY OF 370NS MINIMUM WHEN USED WITH A DL 10.
2. FOR M796-YA CHANGE C1 TO 6.8µf 35V (P/N-000067)

UNLESS OTHERWISE INDICATED:
RESISTORS ARE 1/4W, 5%
CAPACITORS ARE .01µf, 100V, 20%
E1 IS DEC7402
E2 IS DEC7400
E3, E8 ARE DEC9601
E4, E9, E11, E12 ARE DEC7474
E5 IS DEC7401
E6 IS DEC8881
E7 IS DEC74H55
E10 IS DE7404
⊗ = SPLIT LUGS

REV. L
NUMBER M796-0-1
DATE CODE D CS

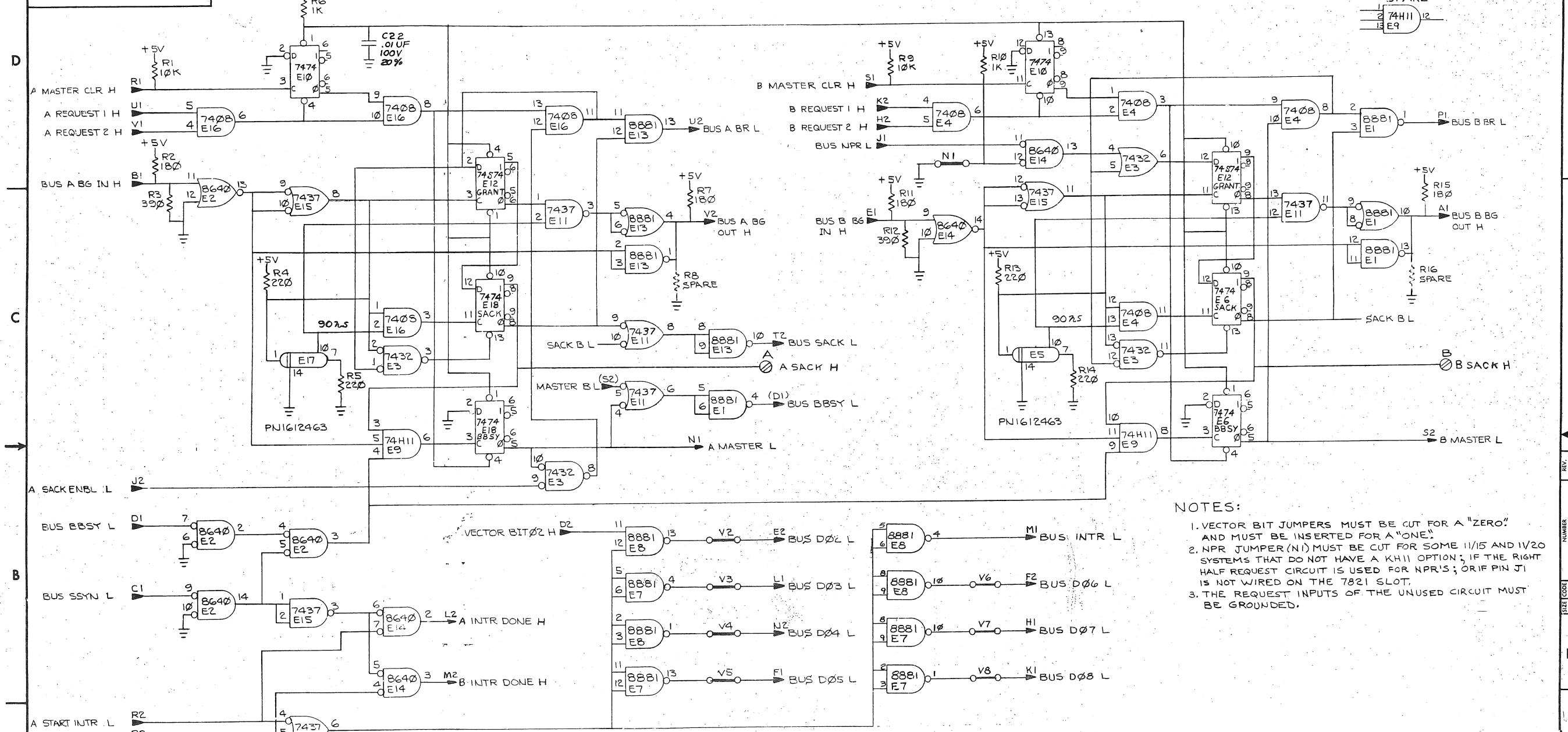
| REVISIONS | | | | TRANSISTOR & DIODE CONVERSION CHART | | | | TITLE | |
|-----------|---------|-----|-------|-------------------------------------|-----|-----|-----|----------------------------|--------|
| NO. | DATE | BY | CHKD. | DEC | EIA | DEC | EIA | UNIEUS MASTER CONTROL M796 | |
| 1 | 6/27/70 | ... | ... | | | | | SIZE | REV. |
| 2 | 7/30/70 | ... | ... | | | | | CODE | NUMBER |
| 3 | ... | ... | ... | | | | | D | CS |
| 4 | ... | ... | ... | | | | | M796 | -0-1 |
| 5 | ... | ... | ... | | | | | E | |

EQUIPMENT CORPORATION
MAYFIELD, MASSACHUSETTS
PRINTED CIRCUIT REV. C

156

4 PINK

"THIS DRAWING AND SPECIFICATIONS HEREIN ARE THE PROPERTY OF DIGITAL EQUIPMENT CORPORATION AND SHALL NOT BE REPRODUCED OR COPIED OR USED IN WHOLE OR IN PART AS THE BASIS FOR THE MANUFACTURE OR SALE OF ITEMS WITHOUT WRITTEN PERMISSION. COPYRIGHT © 1977 DIGITAL EQUIPMENT CORPORATION"

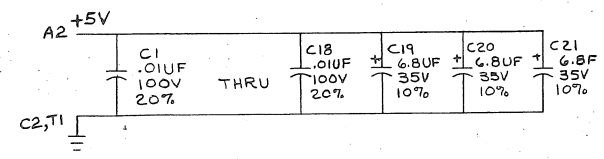


- NOTES:
1. VECTOR BIT JUMPERS MUST BE CUT FOR A "ZERO" AND MUST BE INSERTED FOR A "ONE."
 2. NPR JUMPER (NI) MUST BE CUT FOR SOME I1/15 AND I1/20 SYSTEMS THAT DO NOT HAVE A KH11 OPTION; IF THE RIGHT HALF REQUEST CIRCUIT IS USED FOR NPR'S; OR IF PIN J1 IS NOT WIRED ON THE 7821 SLOT.
 3. THE REQUEST INPUTS OF THE UNUSED CIRCUIT MUST BE GROUND.

| | | |
|----------------|-----|-----|
| DEC DELAY LINE | 14 | - |
| DEC 8640 | 1 | 8 |
| IC TYPE | GND | +5V |

GND AND 5V ARE USUALLY PIN 7 AND 14 RESPECTIVELY EXCEPTS ARE STATED ABOVE

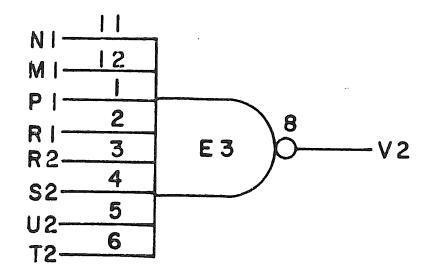
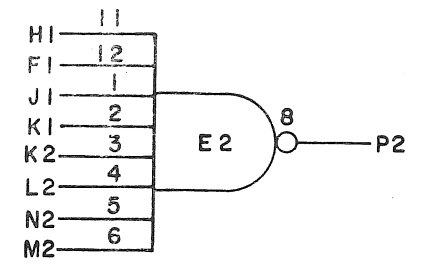
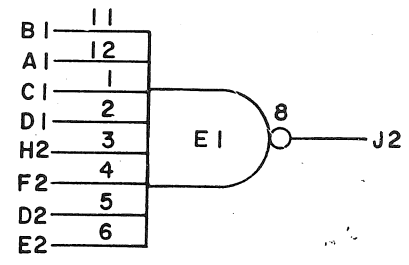
IC PIN LOCATIONS



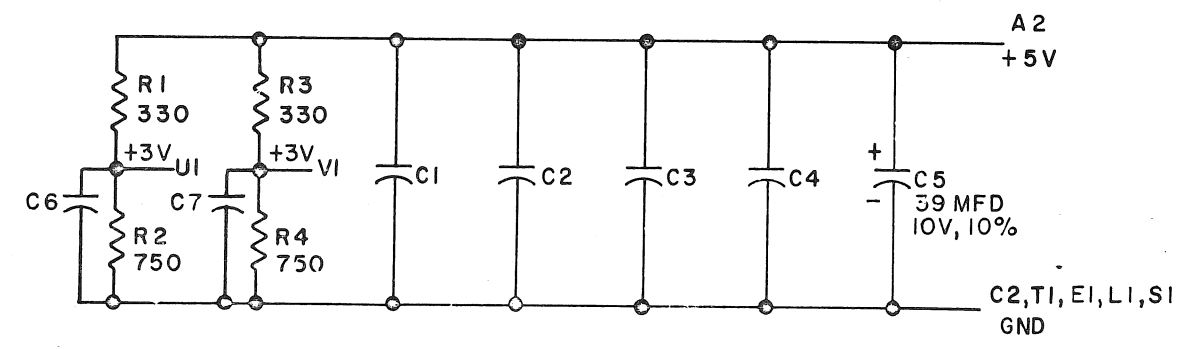
| QTY | REF. DESIGNATION | DESCRIPTION | PART NO. | ITEM NO. |
|----------------------------|------------------|---------------------------------------|----------|----------|
| FIRST USED ON OPTION MODEL | | | | |
| ETCH BOARD REV. D | | | | |
| PARTS LIST | | | | |
| DRN. DATE 11 AUG 77 | | | | |
| CHKD. DATE 8 JUL 77 | | | | |
| ENG. DATE 12 JUL 77 | | | | |
| PROJ. ENG. DATE 12 JUL 77 | | | | |
| PROD. DATE | | TITLE INTERRUPT CONTROL M7821 | | |
| NEXT HIGHER ASSY | | SIZE CODE DCS NUMBER M7821-0-1 REV. F | | |
| SCALE | | SEMICONDUCTOR CONVERSION CHART | | |
| SHEET 1 OF 1 | | DIST. | | |

REV. D
NUMBER M139-0-1
SIZE CODE B CS 8

THIS SCHEMATIC IS FURNISHED ONLY FOR TEST AND MAINTENANCE PURPOSES. THE CIRCUITS ARE PROPRIETARY IN NATURE AND SHOULD BE TREATED ACCORDINGLY. COPYRIGHT 1969 BY DIGITAL EQUIPMENT CORPORATION



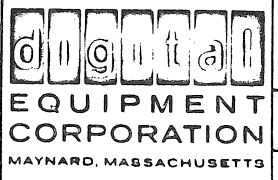
UNLESS OTHERWISE INDICATED:
IC'S ARE DEC1074H30
PIN 7 ON EACH IC = GND
PIN 14 ON EACH IC = +5V
CAPACITORS ARE .01 MFD, 100V, 20%
RESISTORS ARE 1/4W, 5%



| REV. NO. | REV. |
|----------|-------|
| B | 00001 |
| C | 00002 |
| D | 00003 |

| | |
|-------------------------------|----------------|
| DRN. <i>R. J. ...</i> | DATE 3-4-69 |
| CHK'D <i>A. Yarnes</i> | DATE 3-6-69 |
| ENG. <i>D. E. O'Connor</i> | DATE 4-7-69 |
| PROD. | DATE |

| TRANSISTOR & DIODE CONVERSION CHART | | | |
|-------------------------------------|-----|-----|-----|
| DEC | EIA | DEC | EIA |
| | | | |
| | | | |
| | | | |
| | | | |

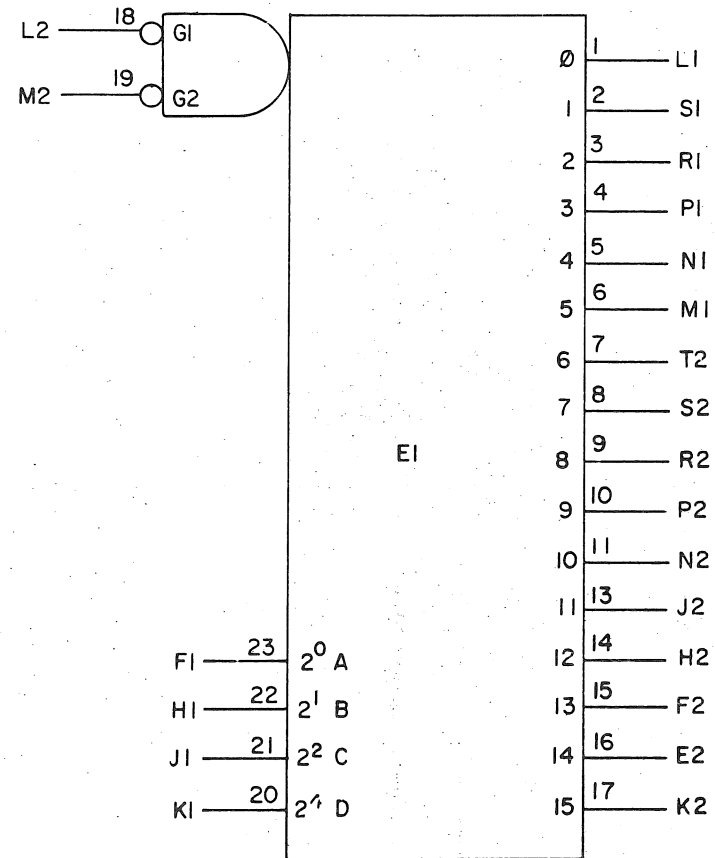


TITLE
3-8 INPUT NAND GATE
M139

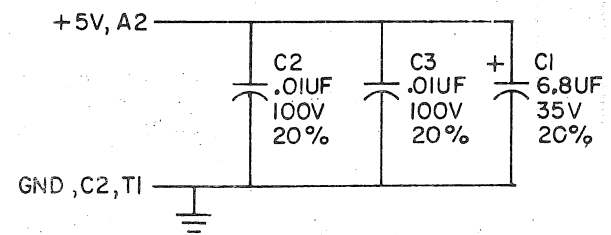
| | | | |
|-----------|------------|--------------------|------------|
| SIZE B | CODE CS | NUMBER M139-0-1 | REV. D. |
|-----------|------------|--------------------|------------|

PRINTED CIRCUIT REV. B

THIS SCHEMATIC IS FURNISHED ONLY FOR TEST AND MAINTENANCE PURPOSES. THE CIRCUITS ARE PROPRIETARY IN NATURE AND SHOULD BE TREATED ACCORDINGLY. COPYRIGHT 1970 BY DIGITAL EQUIPMENT CORPORATION



UNLESS OTHERWISE INDICATED:
 EI IS DEC74154
 PIN 12 = GND
 PIN 24 = +5V

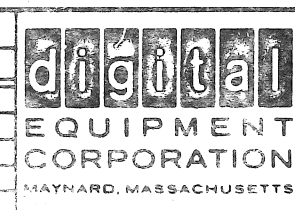


| REVISIONS | CHK | CHG NO. | REV |
|-----------|-----|---------|-----|
| | | 00001 | A |
| | | | |
| | | | |

P. DIMAURO
 P. De Marco

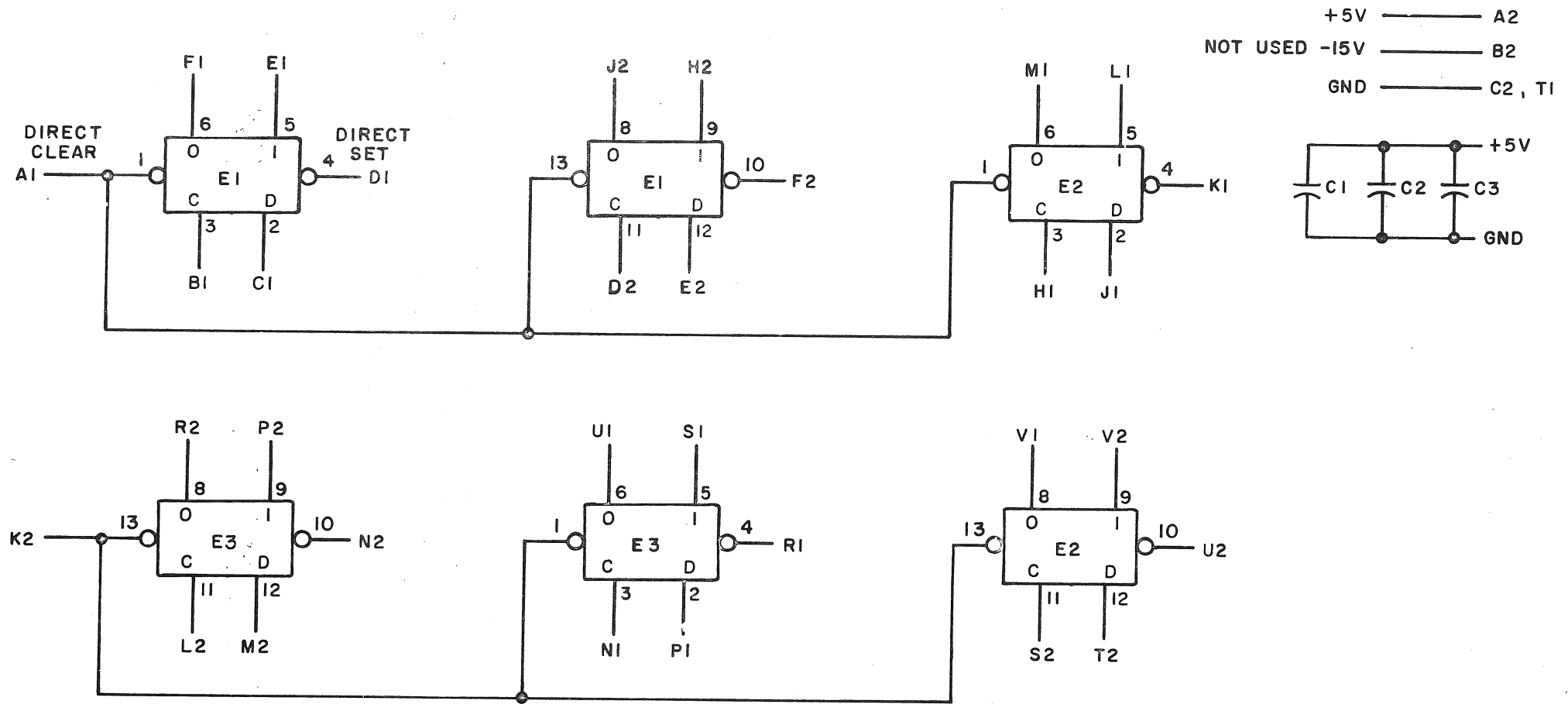
| | |
|-----------------------------|------------------|
| DRN. NANCY MOORE | DATE 8/21/70 |
| CHK'D <i>[Signature]</i> | DATE 10/2/70 |
| ENG. S. Sailer | DATE 12/15/70 |
| PROD. | DATE |

| TRANSISTOR & DIODE CONVERSION CHART | | | |
|-------------------------------------|-----|-----|-----|
| DEC | EIA | DEC | EIA |
| | | | |
| | | | |
| | | | |
| | | | |
| | | | |
| | | | |
| | | | |
| | | | |



| | | | |
|--|------------|--------------------|-----------|
| TITLE 4-LINE-TO 16 LINE DECODER M155 | | | |
| SIZE B | CODE CS | NUMBER M155-0-1 | REV. A |
| PRINTED CIRCUIT REV. | | A | |

THIS SCHEMATIC IS FURNISHED ONLY FOR TEST AND MAINTENANCE PURPOSES. THE CIRCUITS ARE PROPRIETARY IN NATURE AND SHOULD BE TREATED ACCORDINGLY. COPYRIGHT 1967 BY DIGITAL EQUIPMENT CORPORATION



NOTES:
 PIN 7 ON EACH IC = GND
 PIN 14 ON EACH IC = +5V

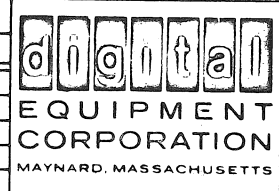
| | | |
|-----------------------|----------------------------|---------------|
| E1 THRU E3 | INTEGRATED CKT. DEC7474N | 1905547 |
| C1 THRU C3 | CAP. .01 MFD 100V 20% DISC | 1001610 |
| | PARTS LIST | A-PL-M216-0-0 |
| REFERENCE DESIGNATION | DESCRIPTION | PART NO. |

PARTS LIST

| REV | CHG NO | REV |
|-----|--------|-----|
| A | 6806 | |
| B | 00001 | |

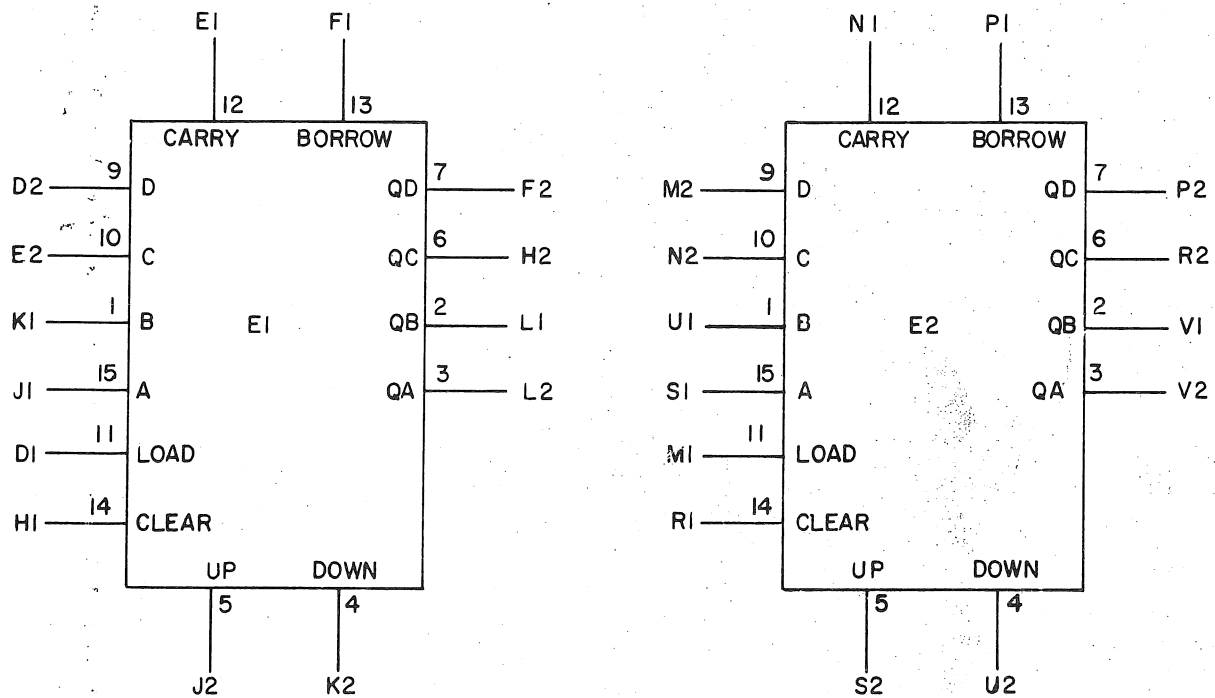
| | |
|-----------------------------|-----------------|
| DRN <i>M. Haller</i> | DATE 4-15-67 |
| CHK'D <i>[Signature]</i> | DATE 4/26/67 |
| ENG <i>[Signature]</i> | DATE 4/27/67 |
| PROD. | DATE |

| TRANSISTOR & DIODE CONVERSION CHART | | | |
|-------------------------------------|-----|-----|-----|
| DEC | EIA | DEC | EIA |
| | | | |
| | | | |
| | | | |
| | | | |

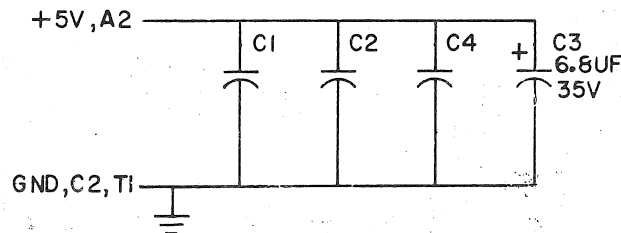


| | | | |
|-------------------------------------|------------|--------------------|-----------|
| TITLE SIX FLIP-FLOPS M216 | | | |
| SIZE B | CODE CS | NUMBER M216-0-1 | REV. B |
| PRINTED CIRCUIT REV. | | | C |

THIS SCHEMATIC IS FURNISHED ONLY FOR TEST AND MAINTENANCE PURPOSES. THE CIRCUITS ARE PROPRIETARY IN NATURE AND SHOULD BE TREATED ACCORDINGLY. COPYRIGHT 1970 BY DIGITAL EQUIPMENT CORPORATION



UNLESS OTHERWISE INDICATED:
 EI, E2 ARE DEC74193
 PIN 8 = GND ON EI, E2
 PIN 16 = +5V
 CAPACITORS ARE .01UF, 100V, 20%

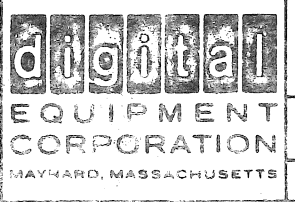


| REVISIONS | CHK | CHG NO. | REV. |
|-----------|-----|---------|------|
| | W | 00001 | C |
| | EL | 00002 | D |

5-15-78
 P. DIMAURO
 P.D. 1/20/70

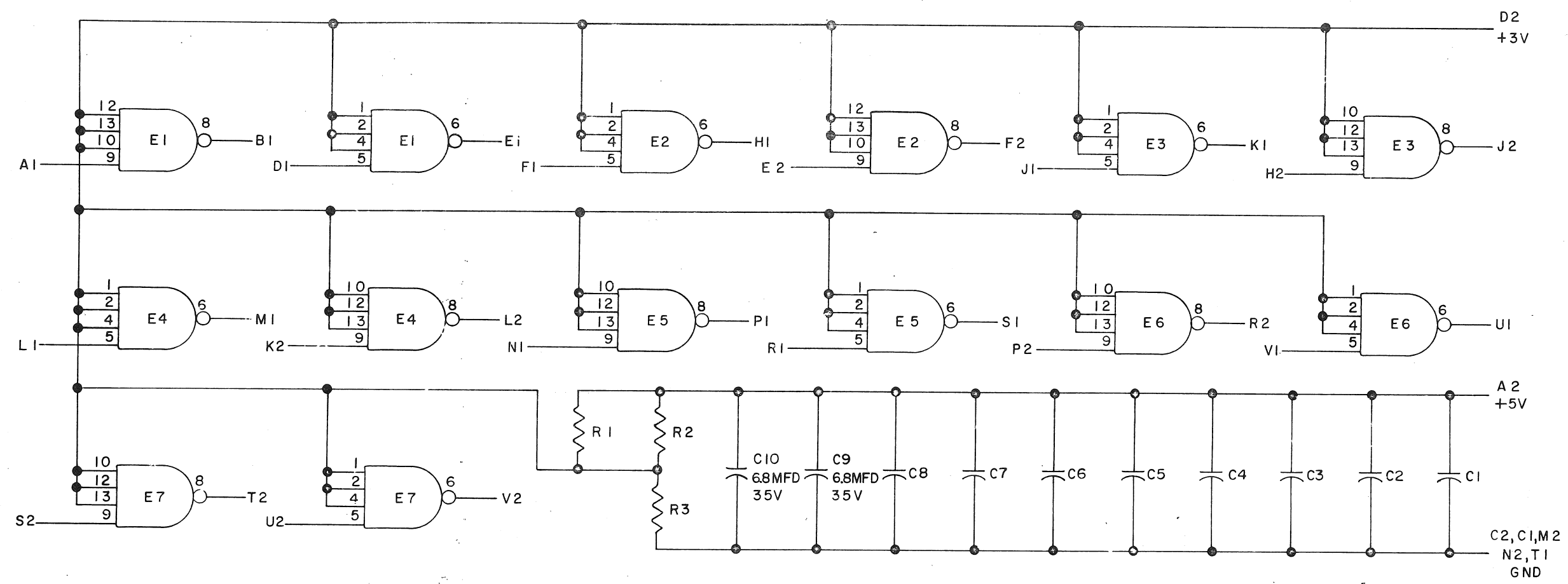
| | |
|---------------------|------------------|
| DRN. NANCY MOORE | DATE 8/21/70 |
| CHK'D Osway | DATE 10/15/70 |
| ENG. S. Seider | DATE 10/23/70 |
| PROD. | DATE |

| TRANSISTOR & DIODE CONVERSION CHART | | | |
|-------------------------------------|-----|-----|-----|
| DEC | EIA | DEC | EIA |
| | | | |
| | | | |
| | | | |
| | | | |



| | | | |
|---|------------|--------------------|----------|
| TITLE 2-SYNCHRONOUS 4 BIT UP/DOWN CONVERTERS M238 | | | |
| SIZE B | CODE CS | NUMBER M238-0-1 | REV D |
| PRINTED CIRCUIT REV. | | | D |

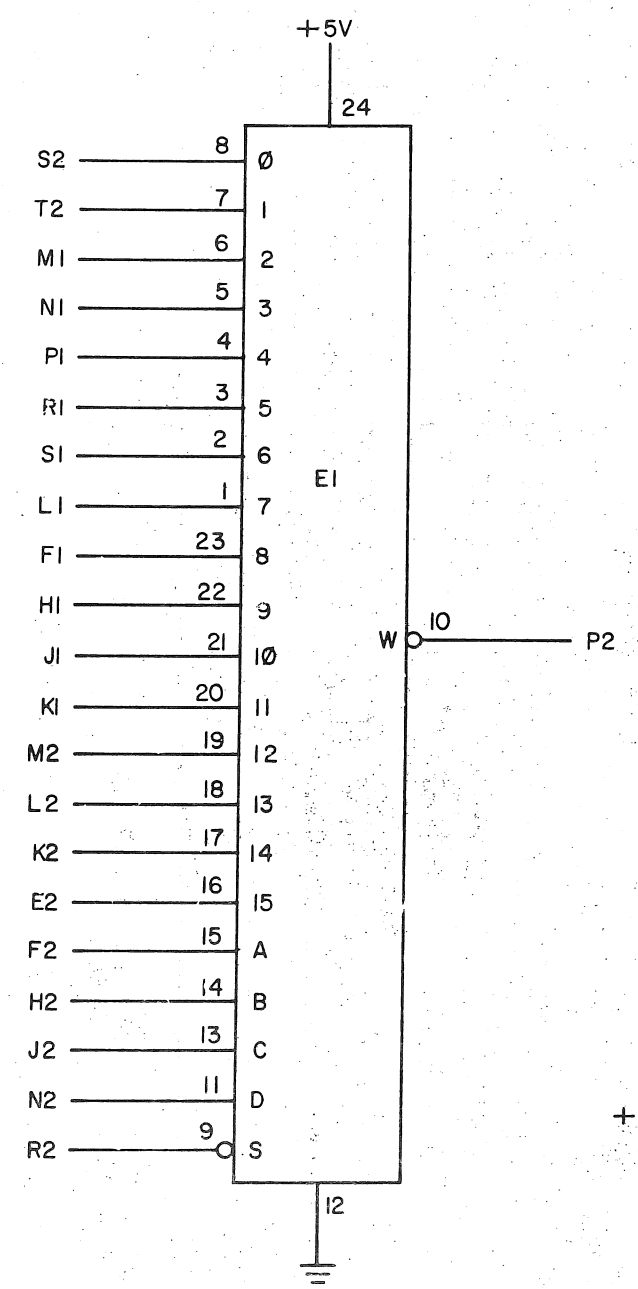
THIS SCHEMATIC IS FURNISHED ONLY FOR TEST AND MAINTENANCE PURPOSES. THE CIRCUITS ARE PROPRIETARY IN NATURE AND SHOULD BE TREATED ACCORDINGLY. COPYRIGHT 1969 BY DIGITAL EQUIPMENT CORPORATION



UNLESS OTHERWISE INDICATED
 PIN 7 ON EACH IC = GND
 PIN 14 ON EACH IC = +5V
 IC'S ARE DEC74H40
 CAPACITORS ARE .01MFD 100V
 RESISTORS ARE 220 1/4W 10%

| | | | | | | | | | | | | | |
|-------------------------------|-------|---|-------------------------------|-----------------|-------------------------------------|-----|-----|-----|---|--|------------|--------------------|-----------|
| REVISIONS CHK CHG NO. REV. | 00001 | B | DRN. <i>Butler</i> | DATE 5-7-69 | TRANSISTOR & DIODE CONVERSION CHART | | | | DIGITAL EQUIPMENT CORPORATION <small>MAYNARD, MASSACHUSETTS</small> | TITLE HIGH SPEED POWER INVERTER M611 | | | |
| | 00001 | B | CHK'D <i>R. Yanga</i> | DATE 5-8-69 | DEC | EIA | DEC | EIA | | SIZE B | CODE CS | NUMBER M611-0-1 | REV. B |
| | | | ENG. <i>R. E. S. G. S.</i> | DATE 6-16-69 | | | | | PRINTED CIRCUIT REV. A | | | | |
| | | | PROD. | DATE | | | | | | | | | |

THIS SCHEMATIC IS FURNISHED ONLY FOR TEST AND MAINTENANCE PURPOSES. THE CIRCUITS ARE PROPRIETARY IN NATURE AND SHOULD BE TREATED ACCORDINGLY. COPYRIGHT 1970 BY DIGITAL EQUIPMENT CORPORATION

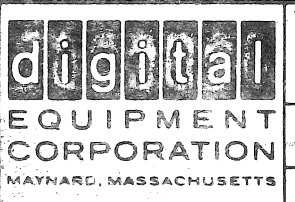


UNLESS OTHERWISE INDICATED:
CAPACITORS ARE .01UF, 100V, 20%
IC IS A DEC74150

| | | | |
|-----------|------|---------|---------|
| REVISIONS | CHK | CHG NO. | REV. |
| | EZ | 00001A | |
| | HS | 00001A | 5/15/70 |
| | P.D. | MAURO | |
| | | | |

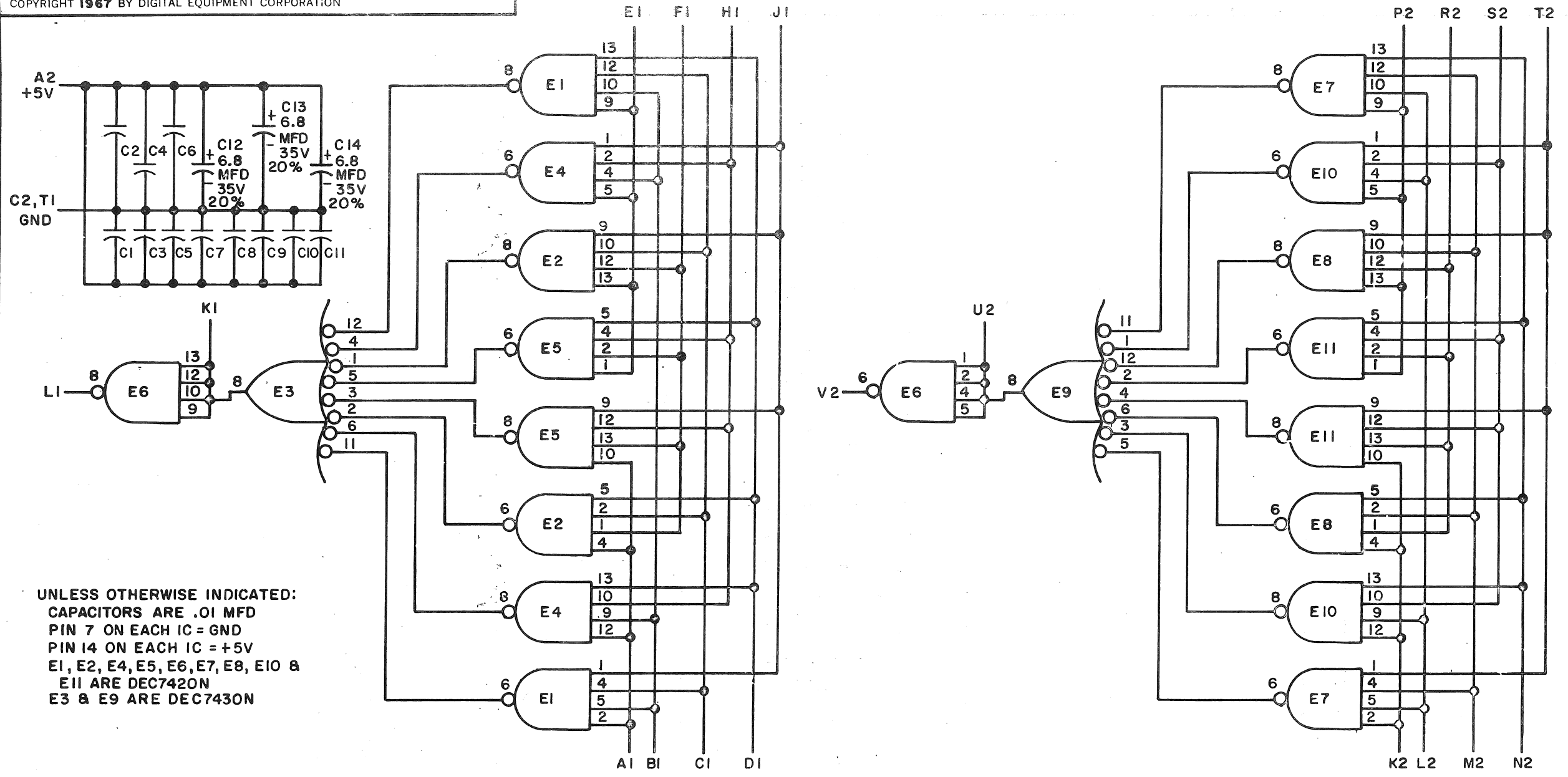
| | |
|------------|----------|
| DRN. | DATE |
| B. Wyatt | 10-28-70 |
| CHK'D | DATE |
| M. Walker | 11-2-70 |
| ENG. | DATE |
| Tom Holmes | 11/23/70 |
| PROD. | DATE |

| TRANSISTOR & DIODE CONVERSION CHART | | | |
|-------------------------------------|-----|-----|-----|
| DEC | EIA | DEC | EIA |
| | | | |
| | | | |
| | | | |



| | | | |
|---------------------------------------|------|-----------|------|
| TITLE | | | |
| 16 LINE TO 1 LINE DATA SELECTOR MI713 | | | |
| SIZE | CODE | NUMBER | REV. |
| B | CS | M1713-0-1 | A |
| PRINTED CIRCUIT REV. | | | |
| A | | | |

THIS SCHEMATIC IS FURNISHED ONLY FOR TEST AND MAINTENANCE PURPOSES. THE CIRCUITS ARE PROPRIETARY IN NATURE AND SHOULD BE TREATED ACCORDINGLY. COPYRIGHT 1967 BY DIGITAL EQUIPMENT CORPORATION

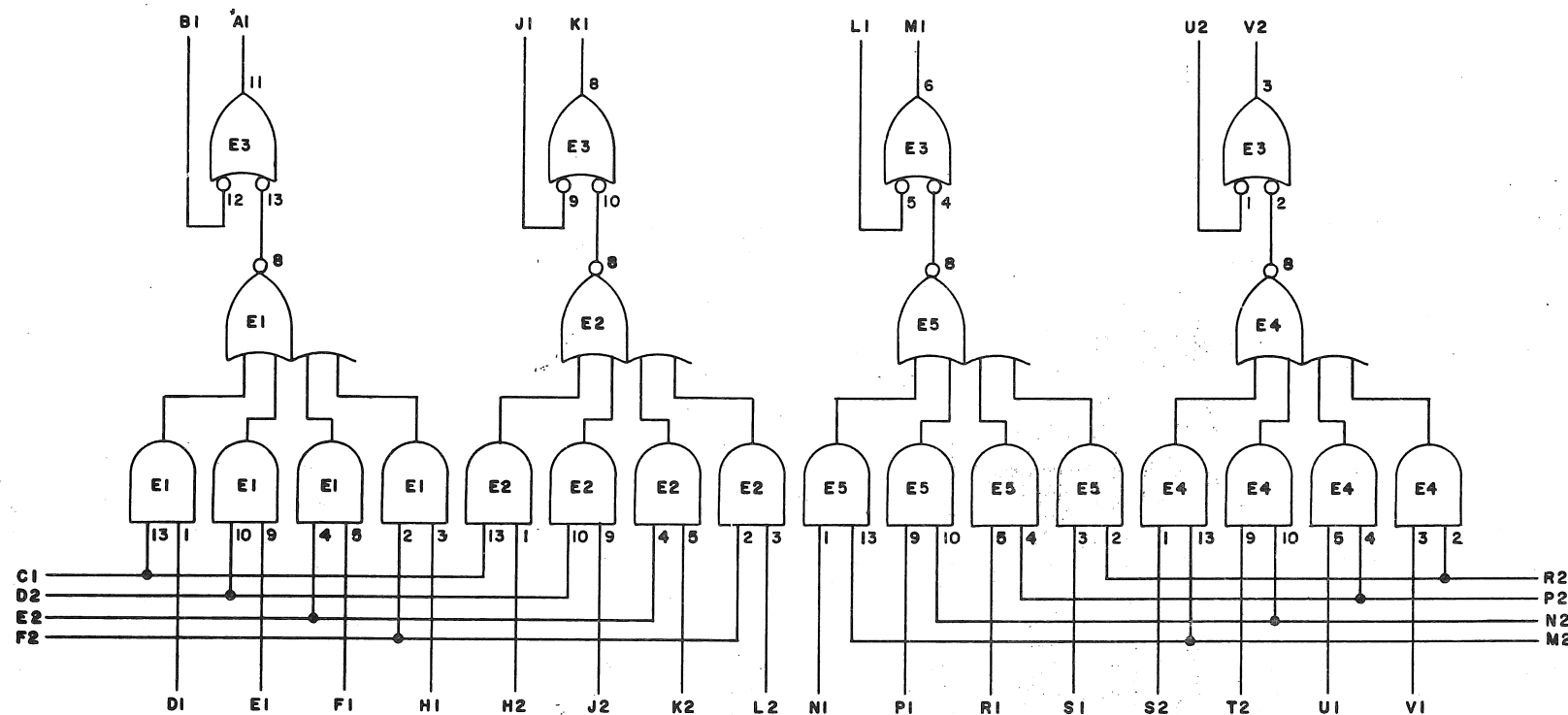


UNLESS OTHERWISE INDICATED:
 CAPACITORS ARE .01 MFD
 PIN 7 ON EACH IC = GND
 PIN 14 ON EACH IC = +5V
 E1, E2, E4, E5, E6, E7, E8, E10 &
 E11 ARE DEC7420N
 E3 & E9 ARE DEC7430N

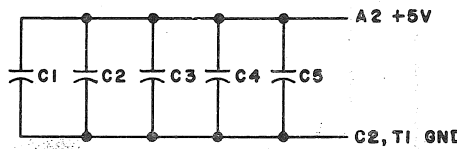
PARTS LIST IS A-PL-MI62-0-0

| | | | | | | | | |
|--------------------------------------|-----------------------------|-----------------|-------------------------------------|-----|---|------------------------------|---------------------------|-----------|
| REVISIONS CHG NO. 1 MY 00001 A | DRN. <i>M. Keller</i> | DATE 4-18-67 | TRANSISTOR & DIODE CONVERSION CHART | | EQUIPMENT CORPORATION MAYNARD, MASSACHUSETTS | TITLE PARITY CIRCUIT MI62 | | |
| | CHK'D <i>[Signature]</i> | DATE 4-25-67 | DEC | EIA | | DEC | EIA | SIZE B |
| | ENG. <i>[Signature]</i> | DATE 5/5/67 | | | | | NUMBER MI62-0-1 | REV. A |
| | PROD. | DATE | | | | | PRINTED CIRCUIT REV. B | |

THIS SCHEMATIC IS FURNISHED ONLY FOR TEST AND MAINTENANCE PURPOSES. THE CIRCUITS ARE PROPRIETARY IN NATURE AND SHOULD BE TREATED ACCORDINGLY. COPYRIGHT 1967 BY DIGITAL EQUIPMENT CORPORATION



NOTES:
PIN 7 ON EACH IC = GND
PIN 14 ON EACH IC = +5V



| | | |
|-----------------------|---------------------------|---------------|
| E3 | INTEGRATED CKT. DEC7400N | 1905875 |
| E1, E2, E4, E5 | INTEGRATED CKT. DEC7453N | 1905582 |
| C1 THRU C5 | CAP. .01MFD 100V 20% DISC | 1001610 |
| | PARTS LIST | A-PL-M169-0-0 |
| REFERENCE DESIGNATION | DESCRIPTION | PART NO. |

| | | |
|----------|-------|---|
| REV. NO. | 00001 | C |
|----------|-------|---|

| | |
|------|---------|
| DATE | 11-9-67 |
| DATE | 11/3/67 |
| DATE | 11-9-67 |

| TRANSISTOR & DIODE CONVERSION CHART | | | |
|-------------------------------------|-----|-----|-----|
| DEC | EIA | DEC | EIA |
| | | | |
| | | | |

| | | | |
|---|------|----------|------|
| EQUIPMENT CORPORATION MAYNARD, MASSACHUSETTS | | | |
| SIZE | CODE | NUMBER | REV. |
| C | CS | M169-0-1 | C |
| PRINTED CIRCUIT REV. | | | B |

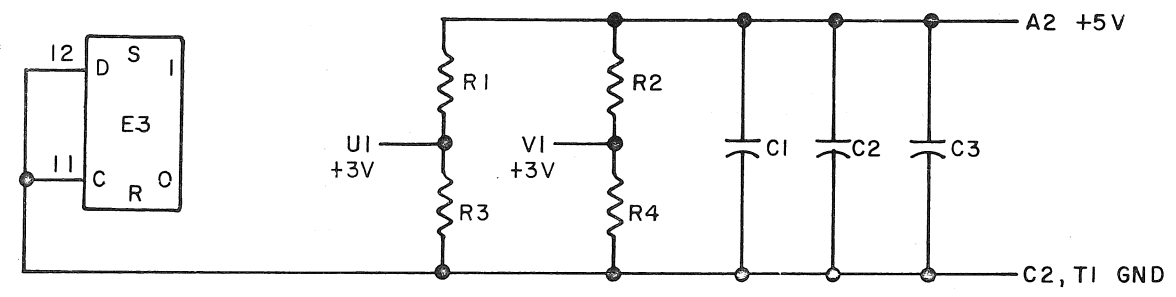
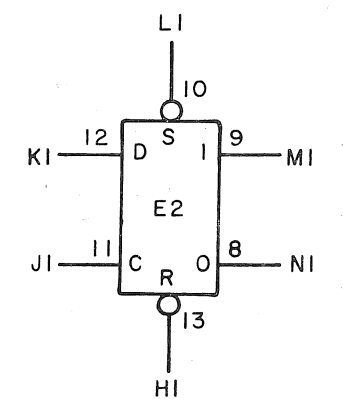
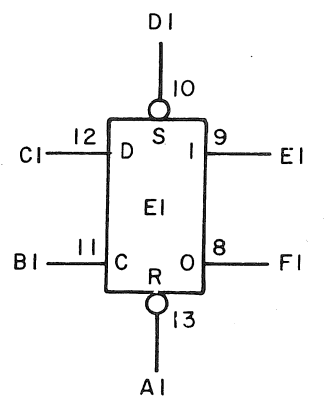
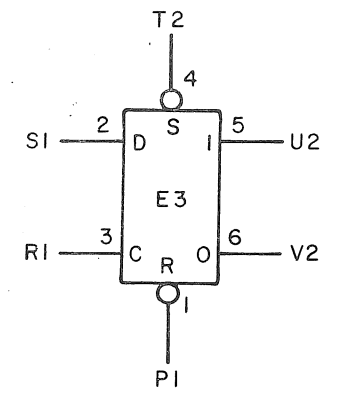
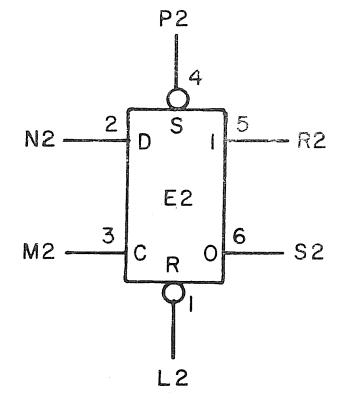
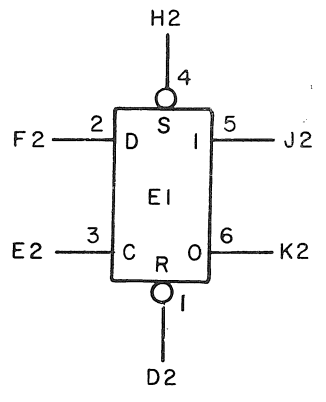
DEC FORM NO. DRC 102

DIST. 324 434 435 4 PINK 165

REV. C
NUMBER M169-0-1
SIZE CODE C CS

REV B
NUMBER M205-0-1
SIZE CODE CS B

THIS SCHEMATIC IS FURNISHED ONLY FOR TEST AND MAINTENANCE PURPOSES. THE CIRCUITS ARE PROPRIETARY IN NATURE AND SHOULD BE TREATED ACCORDINGLY. COPYRIGHT 1969 BY DIGITAL EQUIPMENT CORPORATION



NOTES:
PIN 7 ON EACH IC = GND
PIN 14 ON EACH IC = +5V

| | | |
|-----------------------|---------------------------|---------------|
| E1, E2, E3 | INTEGRATED CKT. DEC7474N | 1905547 |
| R3, R4 | RES. 750 1/4W 5% CC | 1301401 |
| R1, R2 | RES. 330 1/4W 5% CC | 1300295 |
| C1, C2, C3 | CAP. .01MFD 100V 20% DISC | 1001610 |
| PARTS LIST | | A-PL-M205-0-0 |
| REFERENCE DESIGNATION | DESCRIPTION | PART NO. |

| | | | |
|-----------|-----|--------|------|
| REVISIONS | CHK | CHG NO | REV. |
| | | 00001 | B |

| | |
|--------------|---------|
| DRN. | DATE |
| M. Valler | 2-17-69 |
| CHK'D | DATE |
| R. Schreiner | 3/12/69 |
| ENGR | DATE |
| F. C. Curran | 4/7/69 |
| PROD. | DATE |

| TRANSISTOR & DIODE CONVERSION CHART | | | |
|-------------------------------------|-----|-----|-----|
| DEC | EIA | DEC | EIA |
| | | | |
| | | | |
| | | | |



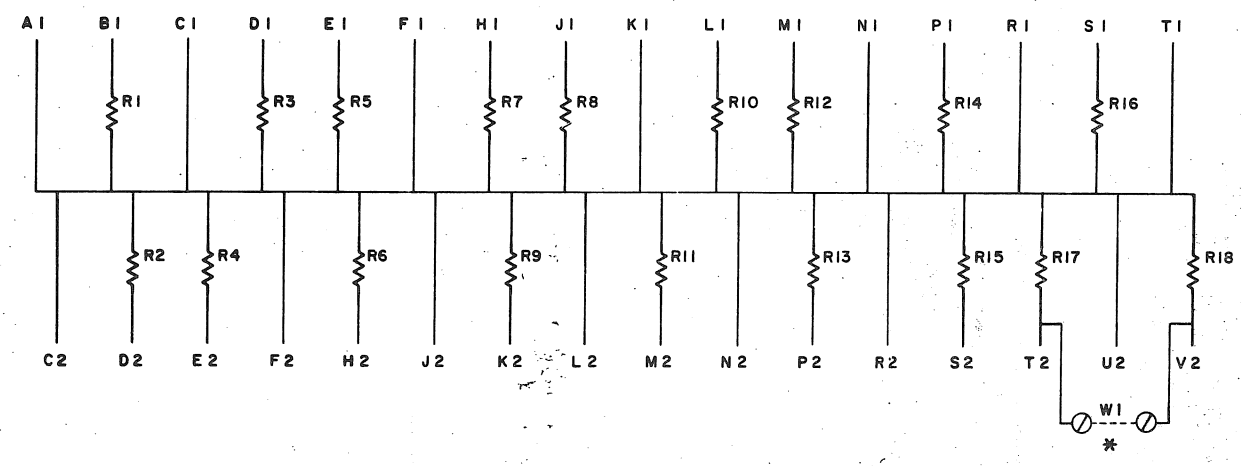
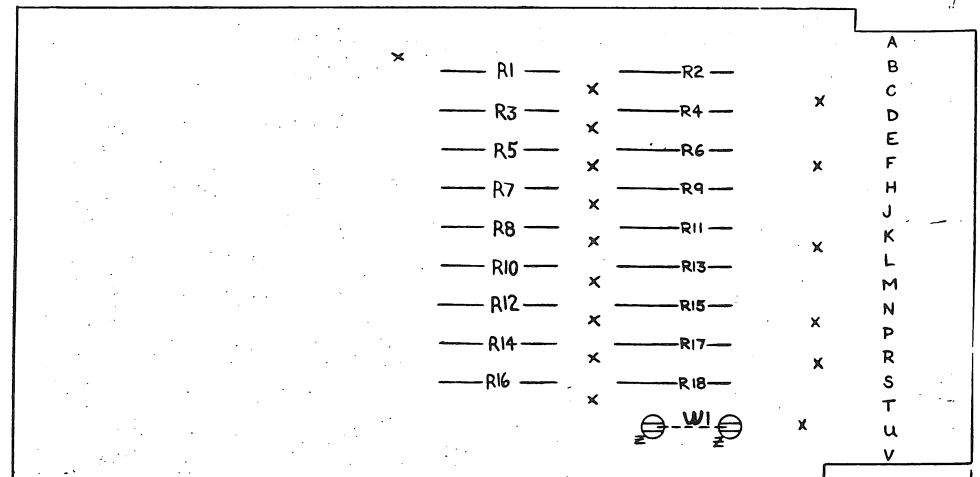
| | | | |
|-----------------------|------|----------|------|
| TITLE | | | |
| 5 "D" FLIP FLOPS M205 | | | |
| SIZE | CODE | NUMBER | REV. |
| B | CS | M205-0-1 | B |
| PRINTED CIRCUIT REV. | | | A |

DEC FORM NO. DRB 102

166

DIST 324,434,435³ PINK

THIS SCHEMATIC IS FURNISHED ONLY FOR TEST AND MAINTENANCE PURPOSES. THE CIRCUITS ARE PROPRIETARY IN NATURE AND SHOULD BE TREATED ACCORDINGLY. COPYRIGHT 1972 BY DIGITAL EQUIPMENT CORPORATION



UNLESS OTHERWISE INDICATED:
RESISTORS ARE 51Ω

* FOR YA VERSION DELETE
R17 AND INSERT JUMPER
ON SPLIT LUGS

| QTY. | STY. | REF. DESIGNATION | DESCRIPTION | DEC PART NO. | LINE NO. |
|------------|------|------------------|------------------------------|---------------|----------|
| 16 | 16 | | EYELET | 9006731 | 9 |
| 1 | 1 | | HANDLE, FLIP CHIP - MAGENTA | 9008337-06 | 8 |
| 2 | | | SPLIT LUG | 900673 | 7 |
| 2 | 2 | | EYELET, HANDLE | 9006732 | 6 |
| 17 | 18 | R1 thru R18 | RES. 51 Ω ± 5% | 1302378 | 5 |
| 1 | 1 | | ETCHED CIRCUIT BOARD | 5009951 | 4 |
| | | | MODULE ECO HISTORY | B-MH-M984-0-6 | 3 |
| | | | ASSY/DRILLING HOLE LAYOUT | D-AH-M984-0-5 | 2 |
| | | | X-Y COORDINATE HOLE LOCATION | K-CO-M984-0-4 | 1 |
| PARTS LIST | | | | | |

| REVISIONS | CHK | CHG NO. | REV. |
|-----------|-----|---------|------|
| | | | |

| DRN | DATE |
|-----------|---------|
| S. COOPER | 8/31/72 |
| CHK'D | |
| | |
| | |
| | |

| TRANSISTOR & DIODE CONVERSION CHART | | | |
|-------------------------------------|-----|-----|-----|
| DEC | EIA | DEC | EIA |
| | | | |
| | | | |
| | | | |

RESISTOR TERMINATOR

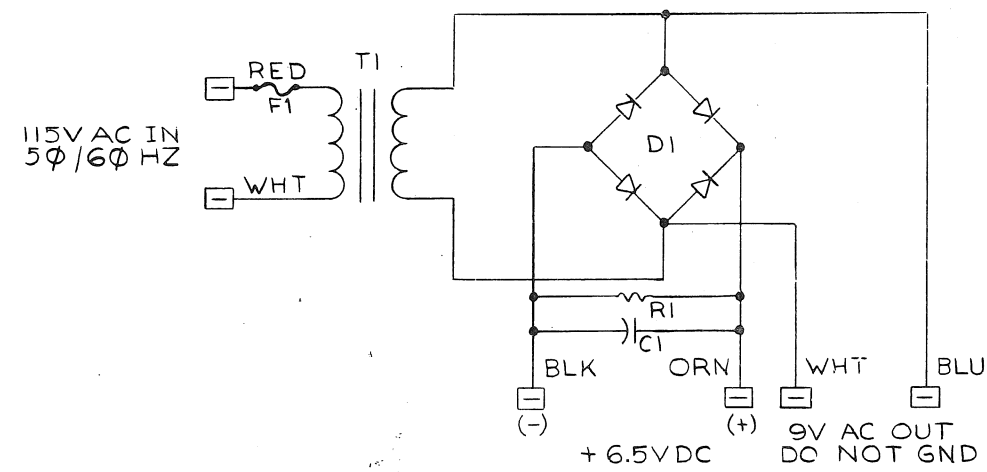
Digital Equipment Corporation
MAYNARD, MASSACHUSETTS

| | | | |
|------|------|----------|------|
| SIZE | CODE | NUMBER | REV. |
| C | CS | M984-0-1 | A |

PRINTED CIRCUIT REV. A

REV. 1
NUMBER M984-0-1
SIZE CODE C CS

THIS SCHEMATIC IS FURNISHED ONLY FOR TEST AND MAINTENANCE PURPOSES. THE CIRCUITS ARE PROPRIETARY IN NATURE AND SHOULD BE TREATED ACCORDINGLY. COPYRIGHT BY DIGITAL EQUIPMENT CORPORATION



| | | |
|-----------------|--------------------|--------------|
| F1 | 1/2 AMP S.B. FUSE | 9007209 |
| R1 | 5ohm 25W RES | 1300165 |
| C1 | 18000MFD 10V DCCAP | 1009437 |
| | PARTS LIST | D-UA-716-0-0 |
| T1 | XMFR*F64-U TRIAD | 1609588 |
| D1 | DIODE PACK DM-2 | 1105397 |
| REF DESIGNATION | DESCRIPTION | PART NO. |

PARTS LIST

| REV. | CHG NO. | REV. |
|-----------|---------|------|
| 716-00001 | A | |
| 716-00001 | B | |
| 716-00001 | C | |

| | |
|-----------------|--------------|
| DRN. RAIMONDI | DATE 5-18-69 |
| CHK'D HEALY | DATE 6-25-69 |
| ENG. VONADA | DATE 7-21-69 |
| PRD. ANTONUCCIO | DATE 7-25-69 |

| TRANSISTOR & DIODE CONVERSION CHART | | | |
|-------------------------------------|-----|-----|-----|
| DEC | EIA | DEC | EIA |
| | | | |
| | | | |
| | | | |



| | | | |
|----------------------|------|---------|-------------------|
| TITLE | | | CIRCUIT SCHEMATIC |
| | | | 716 |
| SIZE | CODE | NUMBER | REV. |
| C | CS | 716-0-1 | C |
| PRINTED CIRCUIT REV. | | | |

REV. C
NUMBER 716-0-1
SIZE CODE C CS

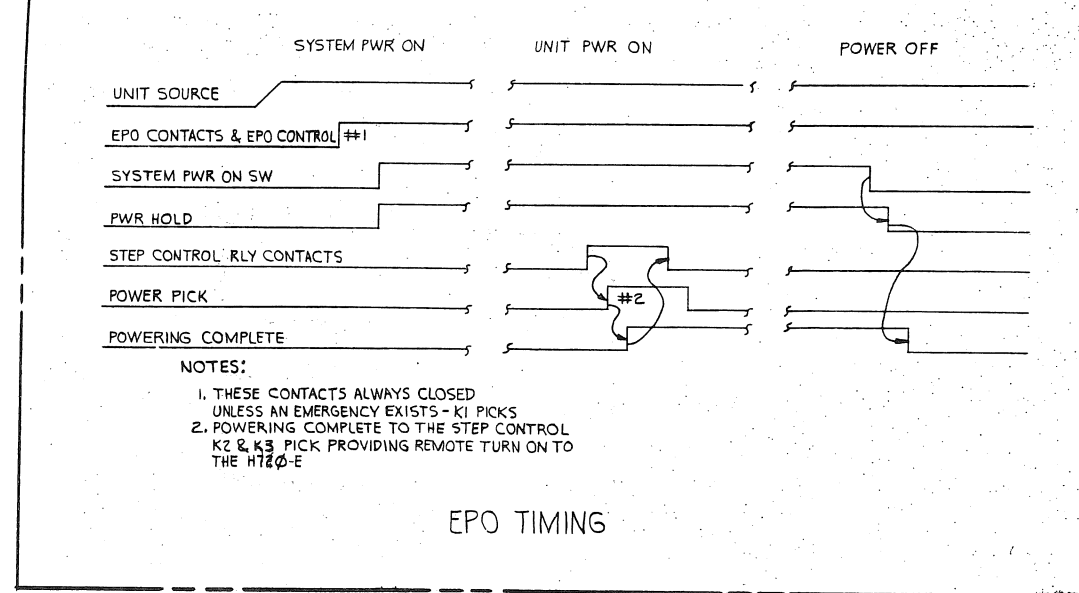
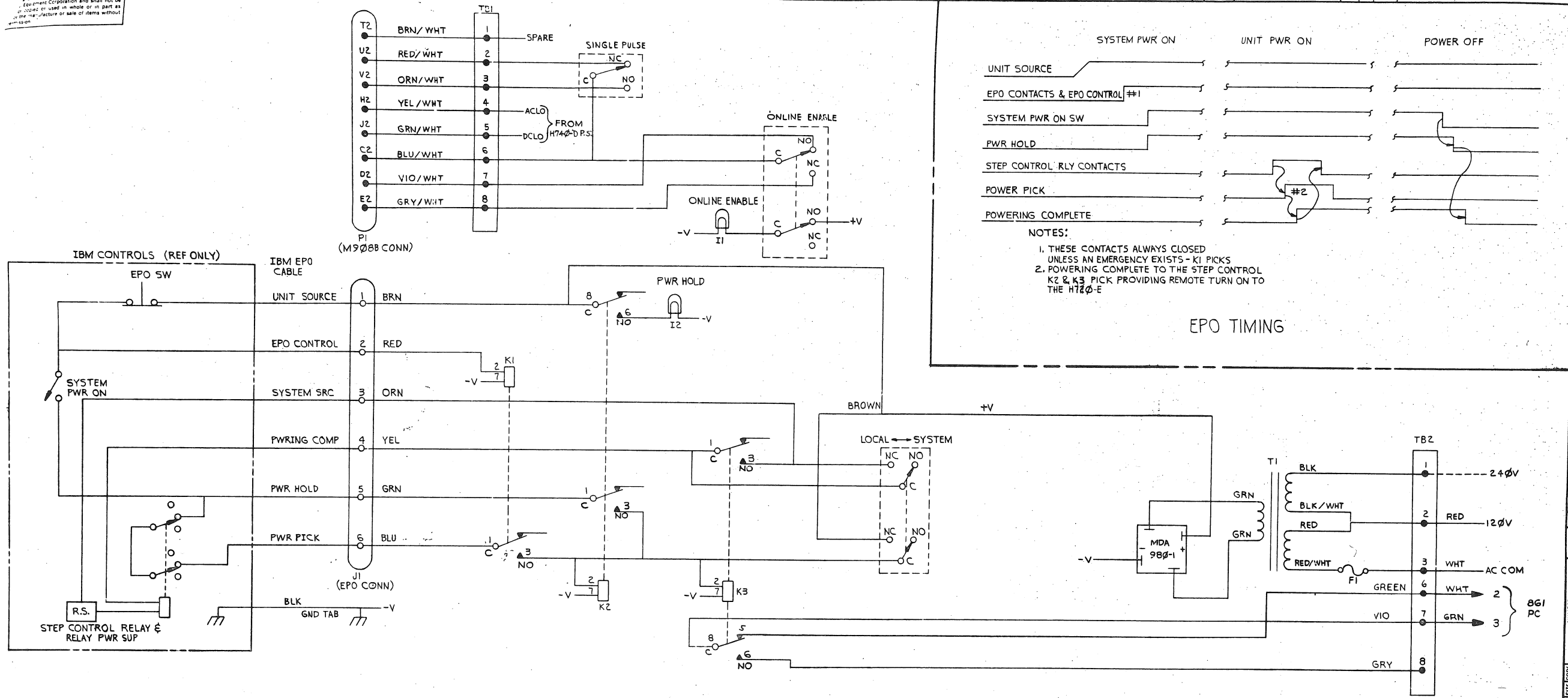
DEC FORM NO. DRC 102
168

Pink

all specifications herein are the property of Digital Equipment Corporation and shall not be reproduced or used in whole or in part as a basis for the manufacture or sale of items without the written consent of Digital Equipment Corporation.

CS7008792-0-1 B

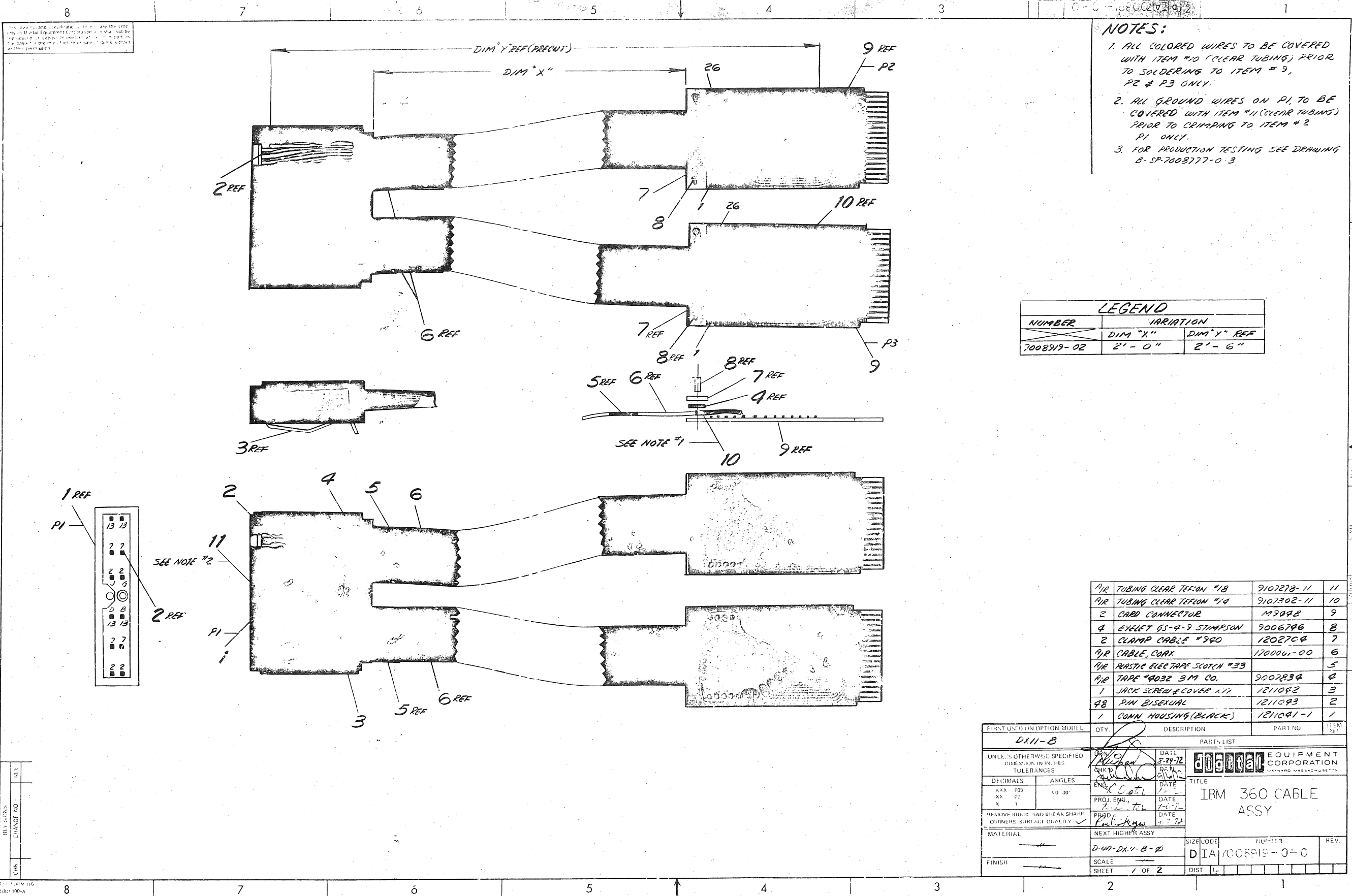
D
C
B
A



| REV | CHANGE NO. | DATE | BY | CHKD |
|-----|------------|---------|-----------|------|
| A | 1 | 10-1-73 | R. DIETER | |
| B | 2 | 7-10-74 | R. DIETER | |
| C | 3 | 10-2-74 | R. DIETER | |

| FIRST USED ON OPTION/MODEL | QTY. | DESCRIPTION | PART NO. | ITEM NO. |
|---|---------|-------------------|---------------------|----------|
| DX11-B | | | | |
| UNLESS OTHERWISE SPECIFIED DIMENSION IN INCHES TOLERANCES | | | | |
| DECIMALS | ANGLES | PARTS LIST | | |
| .XXX = .005 | ±0° 30' | DRN | S. R. B. / 3/10/72 | DATE |
| .XX = .02 | | CHKD | J. W. H. / 3/10/72 | DATE |
| .X = .1 | | ENG | R. DIETER / 10-1-73 | DATE |
| REMOVE BURRS AND BREAK SHARP CORNERS SURFACE QUALITY | | PROJ. ENG. | R. DIETER / 10-1-73 | DATE |
| MATERIAL | | PROD. | Paul Jones / 6-1-72 | DATE |
| FINISH | | NEXT HIGHER ASSY. | | |
| | | SCALE | NONE | |
| | | SHEET | 1 OF 1 | |
| | | DIST. | | |
| | | SIZE CODE | DCS | |
| | | NUMBER | 7008792-0-1 | |
| | | REV. | B | |

CS7008792-0-1 B



- NOTES:**
1. ALL COLORED WIRES TO BE COVERED WITH ITEM #10 (CLEAR TUBING) PRIOR TO SOLDERING TO ITEM #9, P2 & P3 ONLY.
 2. ALL GROUND WIRES ON P1 TO BE COVERED WITH ITEM #11 (CLEAR TUBING) PRIOR TO CRIMPING TO ITEM #2 P1 ONLY.
 3. FOR PRODUCTION TESTING SEE DRAWING B-SP-7008777-0-3

LEGEND

| NUMBER | VARIATION |
|------------|--------------------------|
| | DIM "X" DIM "Y" REF |
| 7008777-02 | 2'-0" 2'-6" |

| QTY. | DESCRIPTION | PART NO | ITEM |
|------|------------------------------|------------|------|
| 9/R | TUBING CLEAR TEFELON #18 | 9107278-11 | 11 |
| 9/R | TUBING CLEAR TEFELON #14 | 9107302-11 | 10 |
| 2 | CARD CONNECTOR | 179898 | 9 |
| 4 | EYELET 65-4-9 STIMPSON | 9006796 | 8 |
| 2 | CLAMP CABLE #940 | 1202704 | 7 |
| 9/R | CABLE, COAX | 1700061-00 | 6 |
| 9/R | PLASTIC ELEC TAPE SCOTCH #33 | | 5 |
| 9/R | TAPE #4032 3M CO. | 9007834 | 4 |
| 1 | JACK SCREW & COVER 1/7 | 1211092 | 3 |
| 48 | PIN BISEXUAL | 1211093 | 2 |
| 1 | CONN HOUSING (BLACK) | 1211091-1 | 1 |

| FIRST USED ON OPTION MODEL | | PARTS LIST | |
|--|--------|------------------|----------|
| DX11-B | | DATE | 5-24-72 |
| UNLESS OTHERWISE SPECIFIED DIMENSIONS IN INCHES TOLERANCES | | CHK'D | DATE |
| DECIMALS | ANGLES | ENG | DATE |
| XXX .005 | ±0.30° | PROJ ENGR | DATE |
| XX .02 | | DATE | 1-6-72 |
| X .1 | | PROD | DATE |
| REMOVE BURR AND BREAK SHARP CORNERS SURFACE QUALITY | | DATE | 1-7-72 |
| MATERIAL | | NEXT HIGHER ASSY | |
| FINISH | | D-VA-DX-1-B-D | SIZE/REV |
| SCALE | | DIA 7008777-0-0 | REV. |
| SHEET 1 OF 2 | | DIST | |

| REV | CHANGE NO |
|-----|-----------|
| | |
| | |
| | |

This drawing and specifications herein are the property of Digital Equipment Corporation and shall not be reproduced or copied or used in whole or in part as the basis for the manufacture or sale of items without the permission of Digital Equipment Corporation.

WIRE TABLE

| ITEM NO | DESCRIPTION | COLOR | FROM | | TO | |
|---------|-------------|-------|------------|------|------------|--------|
| | | | CONNECTION | WITH | CONNECTION | WITH |
| 3 | COAX | GND | P1-B2 | 2,11 | P2-26 | SOLDER |
| | | RED | P1-B3 | 2 | P2-22 | |
| | | BLU | P1-D2 | 2 | P2-20 | |
| | | GND | P1-D3 | 2,11 | P2-26 | |
| | | GRN | P1-D4 | 2,11 | P2-19 | |
| | | GND | P1-D5 | 2,11 | P2-25 | |
| | | GND | P1-B4 | 2,11 | P2-25 | |
| | | WHT | P1-B5 | 2 | P2-18 | |
| | | RED | P1-D6 | 2 | P2-17 | |
| | | GND | P1-D7 | 2,11 | P2-24 | |
| | | GRN | P1-B6 | 2,11 | P2-16 | |
| | | GND | P1-B7 | 2,11 | P2-24 | |
| | | BLU | P1-B8 | 2 | P2-15 | |
| | | GND | P1-B9 | 2,11 | P2-23 | |
| | | GND | P1-D8 | 2,11 | P2-23 | |
| | | WHT | P1-D9 | 2 | P2-14 | |
| | | BLK | P1-B10 | 2 | P2-9 | |
| | | GND | P1-B11 | 2,11 | P2-4 | |
| | | GND | P1-D10 | 2,11 | P2-3 | |
| | | RED | P1-D11 | 2 | P2-7 | |
| | | BLU | P1-B12 | 2 | P2-6 | |
| | | GND | P1-B13 | 2,11 | P2-2 | |
| | | GND | P1-D12 | 2,11 | P2-1 | |
| | | GRN | P1-D13 | 2,11 | P2-5 | |
| | | GND | P1-G2 | 2,11 | P3-26 | |
| | | RED | P1-G3 | 2 | P3-23 | |
| | | BLU | P1-J2 | 2 | P3-20 | |
| | | GND | P1-J3 | 2,11 | P3-26 | |
| | | GRN | P1-J4 | 2,11 | P3-19 | |
| | | GND | P1-J5 | 2,11 | P2-25 | |
| | | GND | P1-G4 | 2,11 | P3-25 | |
| | | WHT | P1-G5 | 2 | P3-18 | |
| | | RED | P1-G6 | 2 | P3-17 | |
| | | GND | P1-G7 | 2,11 | P3-24 | |
| | | GRN | P1-J6 | 2,11 | P3-16 | |
| | | GND | P1-J7 | 2,11 | P3-24 | |
| | | BLU | P1-G8 | 2 | P3-15 | |
| | | GND | P1-G9 | 2,11 | P3-23 | |
| | | GND | P1-J8 | 2,11 | P3-23 | |
| | | WHT | P1-J9 | 2 | P3-14 | |
| | | BLK | P1-G10 | 2 | P3-9 | |
| | | GND | P1-G11 | 2,11 | P3-4 | |
| | | GND | P1-J10 | 2,11 | P3-3 | |
| | | RED | P1-J11 | 2 | P3-7 | |
| | | BLU | P1-G12 | 2 | P3-6 | |
| | | GND | P1-G13 | 2,11 | P3-2 | |
| 3 | COAX | GND | P1-J12 | 2,11 | P3-1 | SOLDER |
| | | GRN | P1-J13 | 2,11 | P3-5 | |

| | |
|------------|-----|
| REVISIONS | REV |
| CHANGE NO. | |
| CHK | |

FIRST USED ON OPTION / MODEL
DX11-B

DO NOT SCALE DRAWING
UNLESS OTHERWISE SPECIFIED
DIMENSION IN INCHES
TOLERANCES
DECIMALS FRACTIONS ANGLES
± .005 ± 1/64 ± 0°30'
FINAL SURFACE QUALITY 1
REMOVE BURS AND BREAK SHARP CORNERS

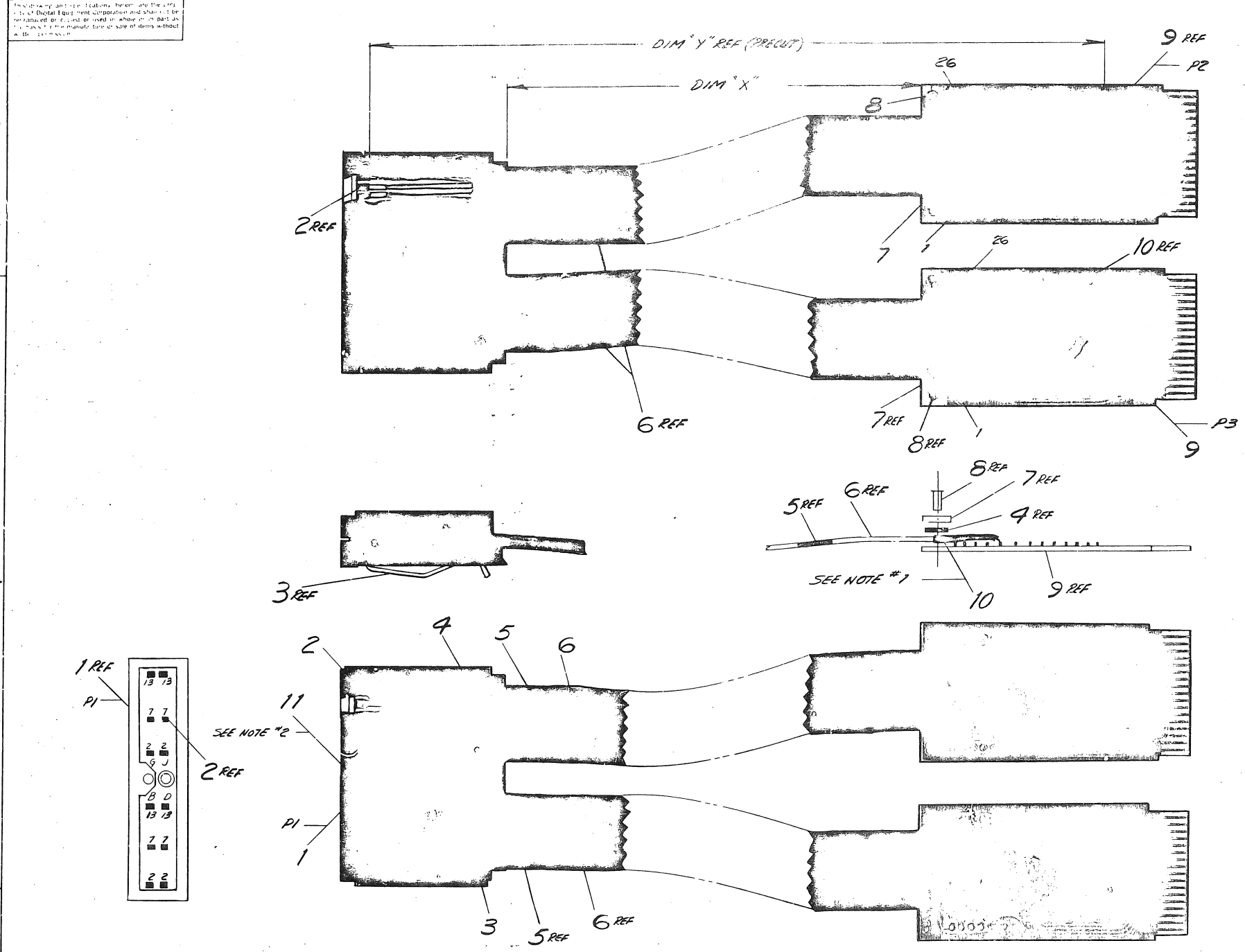
| | | | |
|------------|-------------|--|----------------|
| QTY. | DESCRIPTION | PART NO. | ITEM NO. |
| | | | |
| PARTS LIST | | digital EQUIPMENT CORPORATION NATURAL BRIDGE, MASSACHUSETTS | |
| DATE | DATE | TITLE | |
| 2-28-72 | 2-28-72 | IBM 360 CABLE ASSY | |
| ENG. | DATE | NEXT HIGHER ASSY | |
| PROJ. ENG. | DATE | D-4A-DX11-B-0 | |
| PROD. | DATE | SCALE | SIZE/CODE |
| | | 2 OF 2 | DLA7008919-0-0 |
| | | | NUMBER |
| | | | REV. |
| | | | |

DRAWING NO. DLA7008919-0-0

IBM and the IBM logo are trademarks of International Business Machines Corporation and shall not be reproduced, stored in a retrieval system, or transmitted in any form or by any means, electronic, mechanical, photocopying, recording, or by any information storage and retrieval system, without the prior written permission of International Business Machines Corporation.

- NOTES:**
1. ALL COLORED WIRES TO BE COVERED WITH ITEM #10 (CLEAR TUBING), PRIOR TO SOLDERING TO ITEM #9, P2 & P3 ONLY.
 2. ALL GROUND WIRES ON P1, TO BE COVERED WITH ITEM #11 (CLEAR TUBING) PRIOR TO CRIMPING TO ITEM #2 P1 ONLY.
 3. FOR PRODUCTION TESTING SEE DRAWING B-SP-700877-0-3

| LEGEND | | |
|------------|-----------|-------------|
| NUMBER | VARIATION | |
| | DIM "X" | DIM "Y" REF |
| 7008920-02 | 2'-0" | 2'-6" |



| QTY. | DESCRIPTION | PART NO. | ITEM NO. |
|------|------------------------------|------------|----------|
| 1/R | TUBING CLEAR TEFLON #18 | 9107278-11 | 11 |
| 1/R | TUBING CLEAR TEFLON #19 | 9107302-11 | 10 |
| 2 | CARD CONNECTOR | M3B9B | 9 |
| 4 | EYELET 6S-A-9 STIMPSON | 5006796 | 8 |
| 2 | CLAMP CABLE #990 | 1202704 | 7 |
| 1/R | CABLE, COAX | 1700001-00 | 6 |
| 1/R | PLASTIC ELEC TAPE SCOTCH #33 | | 5 |
| 1/R | TAPE #4032 3M CO. | 9007839 | 4 |
| 1 | JACK SCREW & COVER KIT | 1211092 | 3 |
| 48 | PIN B15RUAL | 1211093 | 2 |
| 1 | CONN HOUSING (BROWN) | 1211091-2 | 1 |

| | | | | | | | | | |
|---|--|-------------------|--|-------------|--|----------|--|----------|--|
| FIRST USED ON OPTION MODEL | | GTY. | | DESCRIPTION | | PART NO. | | ITEM NO. | |
| DX11-B | | | | | | | | | |
| UNLESS OTHERWISE SPECIFIED DIMENSION IN INCHES TOLERANCES | | DATE | | DATE | | DATE | | DATE | |
| DECIMALS ANGLES | | 9-1-72 | | 9-1-72 | | 9-1-72 | | 9-1-72 | |
| XXX .005 10' 30" | | CHK'D | | DATE | | DATE | | DATE | |
| XX .02 | | ENG | | DATE | | DATE | | DATE | |
| X .1 | | PROJ. ENG. | | DATE | | DATE | | DATE | |
| REMOVE BURRS AND BREAK SHARP CORNERS SURFACE QUALITY | | PROD. | | DATE | | DATE | | DATE | |
| MATERIAL | | NEXT HIGHER ASSY. | | DATE | | DATE | | DATE | |
| FINISH | | D-VA-DX11-B-P | | DATE | | DATE | | DATE | |
| SHEET 1 OF 2 | | SCALE NONE | | DATE | | DATE | | DATE | |
| | | SIZE CODE | | NUMBER | | REV. | | | |
| | | DIA | | 7008920-0-0 | | | | | |
| | | DIST. | | | | | | | |

REV'S DWS
CHANGE NO.
CHK

This drawing and specifications herein are the property of Digital Equipment Corporation and shall not be reproduced or copied or used in whole or in part as the basis for the manufacture or sale of items without the express permission.

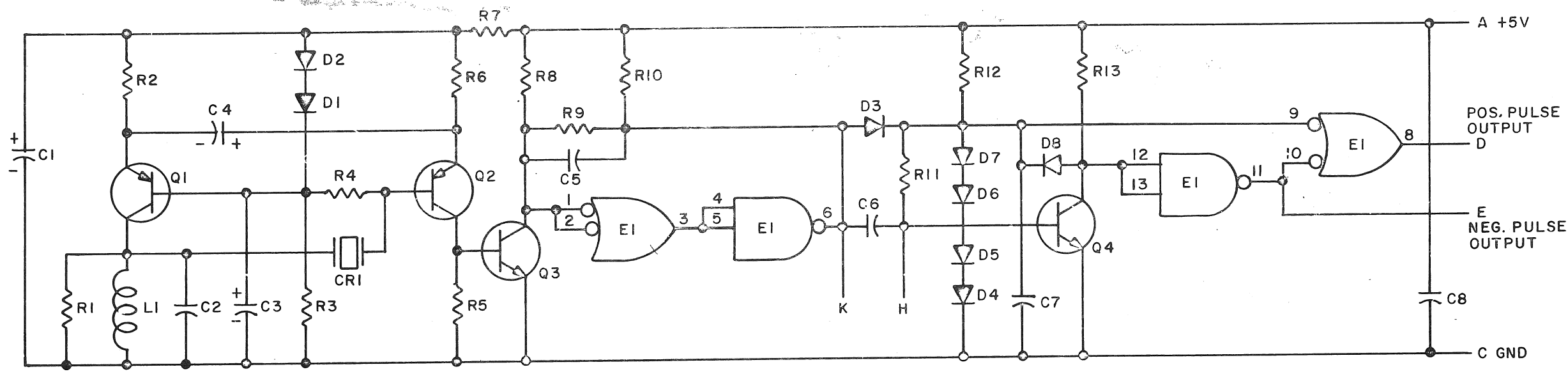
WIRE TABLE

| ITEM NO | DESCRIPTION | COLOR | FROM | | TO | |
|---------|-------------|-------|------------|------|------------|--------|
| | | | CONNECTION | WITH | CONNECTION | WITH |
| 3 | COAX | GND | P1-B2 | 2,11 | P2-26 | SOLDER |
| | | RED | P1-B3 | 2 | P2-22 | |
| | | BLU | P1-D2 | 2 | P2-20 | |
| | | GND | P1-D3 | 2,11 | P2-26 | |
| | | GRN | P1-D4 | 2,11 | P2-19 | |
| | | GND | P1-D5 | 2,11 | P2-25 | |
| | | GND | P1-B4 | 2,11 | P2-25 | |
| | | WHT | P1-B5 | 2 | P2-18 | |
| | | RED | P1-D6 | 2 | P2-17 | |
| | | GND | P1-D7 | 2,11 | P2-29 | |
| | | GRN | P1-B6 | 2,11 | P2-16 | |
| | | GND | P1-B7 | 2,11 | P2-24 | |
| | | BLU | P1-B8 | 2 | P2-15 | |
| | | GND | P1-B9 | 2,11 | P2-23 | |
| | | GND | P1-D8 | 2,11 | P2-23 | |
| | | WHT | P1-D9 | 2 | P2-14 | |
| | | BLK | P1-B10 | 2 | P2-9 | |
| | | GND | P1-B11 | 2,11 | P2-4 | |
| | | GND | P1-D10 | 2,11 | P2-3 | |
| | | RED | P1-D11 | 2 | P2-7 | |
| | | BLU | P1-B12 | 2 | P2-6 | |
| | | GND | P1-B13 | 2,11 | P2-2 | |
| | | GND | P1-D12 | 2,11 | P2-1 | |
| | | GRN | P1-D13 | 2,11 | P2-5 | |
| | | GND | P1-G2 | 2,11 | P3-26 | |
| | | RED | P1-G3 | 2 | P3-22 | |
| BLU | P1-J2 | 2 | P3-20 | | | |
| GND | P1-J3 | 2,11 | P3-26 | | | |
| GRN | P1-J4 | 2,11 | P3-19 | | | |
| GND | P1-J5 | 2,11 | P2-25 | | | |
| GND | P1-G4 | 2,11 | P3-25 | | | |
| WHT | P1-G5 | 2 | P3-18 | | | |
| RED | P1-G6 | 2 | P3-17 | | | |
| GND | P1-G7 | 2,11 | P3-24 | | | |
| GRN | P1-J6 | 2,11 | P3-16 | | | |
| GND | P1-J7 | 2,11 | P3-24 | | | |
| BLU | P1-G8 | 2 | P3-15 | | | |
| GND | P1-G9 | 2,11 | P3-23 | | | |
| GND | P1-J8 | 2,11 | P3-23 | | | |
| WHT | P1-J9 | 2 | P3-14 | | | |
| BLK | P1-G10 | 2 | P3-9 | | | |
| GND | P1-G11 | 2,11 | P3-4 | | | |
| GND | P1-J10 | 2,11 | P3-3 | | | |
| RED | P1-J11 | 2 | P3-7 | | | |
| BLU | P1-G12 | 2 | P3-6 | | | |
| GND | P1-G13 | 2,11 | P3-2 | | | |
| GND | P1-J12 | 2,11 | P3-1 | | | |
| 3 | COAX | GRN | P1-J13 | 2,11 | P3-5 | SOLDER |

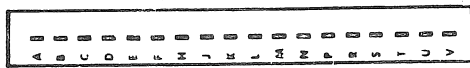
| | |
|-----|--|
| REV | |
| CHK | |
| CHG | |
| NO | |

| | | | |
|--------------------------------------|------------------|--|----------|
| QTY. | DESCRIPTION | PART NO. | ITEM NO. |
| PARTS LIST | | | |
| FIRST USED ON OPTION/MODEL DX11-B | | DO NOT SCALE DRAWING | |
| UNLESS OTHERWISE SPECIFIED | DATE | digital EQUIPMENT CORPORATION WATYARD MASSACHUSETTS | |
| DIMENSION IN INCHES | DATE | TITLE | |
| TOLERANCES | DATE | IBM 360 CABLE | |
| DECIMALS FRACTIONS ANGLES | DATE | ASSY | |
| = .005 = 1/32 = 0.5° | DATE | SIZE CODE NUMBER | |
| FINAL SURFACE QUALITY: | DATE | DIA 7005920-0-0 | |
| REMOVE BURRS AND BREAK SHARP | DATE | DIST. | |
| CORNERS | DATE | SHEET 2 OF 2 | |
| MATERIAL | NEXT HIGHER ASSY | | |
| FINISH | D-0A-DX11-B-2 | | |
| SCALE NONE | REV. | | |

THIS SCHEMATIC IS FURNISHED ONLY FOR TEST AND MAINTENANCE PURPOSES. THE CIRCUITS ARE PROPRIETARY IN NATURE AND SHOULD BE TREATED ACCORDINGLY. COPYRIGHT 1968 BY DIGITAL EQUIPMENT CORPORATION



- NOTES:
 1. PIN 14 ON IC = +5V
 2. PIN 7 ON IC = GND
 3. FOR VALUES OF C2, L1, CRI SEE DWG. CHART A-00517-2

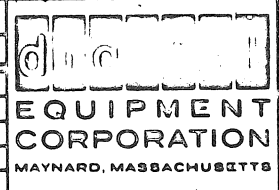


| | | |
|-----------------------|---------------------------|---------------|
| R11, R12 | RES. 390 1/4W 5% CC | 1300309 |
| C6 | CAP. 120 MMF 100V 5% D.M. | 1000018 |
| L1, C2, CRI | SEE NOTE 3 | |
| E1 | INTEGRATED CKT. DEC7400N | 1905575 |
| Q3, Q4 | TRANSISTOR DEC4274 | 1505302 |
| Q1, Q2 | TRANSISTOR DEC4258 | 1505321 |
| R7 | RES. 100 1/4W 10% CC | 1300231 |
| R4 | RES. 100K 1/4W 10% CC | 1300534 |
| R3, R8, R10, R13 | RES. 1K 1/4W 5% CC | 1300365 |
| R2, R5, R6, R9 | RES. 2.2K 1/4W 10% CC | 1300418 |
| R1 | RES. 10K 1/4W 10% CC | 1300481 |
| D3, D8 | DIODE D664 | 1100114 |
| D1, D2, D4-D7 | DIODE D662 | 1100113 |
| C7, C8 | CAP. .01MFD 100V 20% DISC | 1001610 |
| C5 | CAP. 47 MMF 100V 5% D.M. | 1000011 |
| C1, C3, C4 | CAP. 39MFD 10V 10% S.TANT | 1000076 |
| | PARTS LIST | A-PL-M405-0-0 |
| REFERENCE DESIGNATION | DESCRIPTION | PART NO. |

| REVISIONS | CHK | CHG NO. | REV. |
|-----------|-----|---------|------|
| | | 00001 | B |
| | | 00003 | C |

| | |
|--------------------------|--------------|
| DRN. <i>M. Peller</i> | DATE 4-17-68 |
| CHK'D <i>[Signature]</i> | DATE 5/16/68 |
| ENG. <i>A. Roberts</i> | DATE 5/22/68 |
| PROD. | DATE |

| TRANSISTOR & DIODE CONVERSION CHART | | | |
|-------------------------------------|--|--------|--|
| DEC | | EIA | |
| DEC4258 | | 2N4258 | |
| DEC4274 | | NONE | |
| D662 | | 1N645 | |
| D664 | | 1N3606 | |



| | | | |
|-----------------------------|------------|--------------------|-----------|
| TITLE CRYSTAL CLOCK M405 | | | |
| SIZE B | CODE CS | NUMBER M405-0-1 | REV. C |
| PRINTED CIRCUIT REV. B | | | |

DIST. 324 434 435 PINK