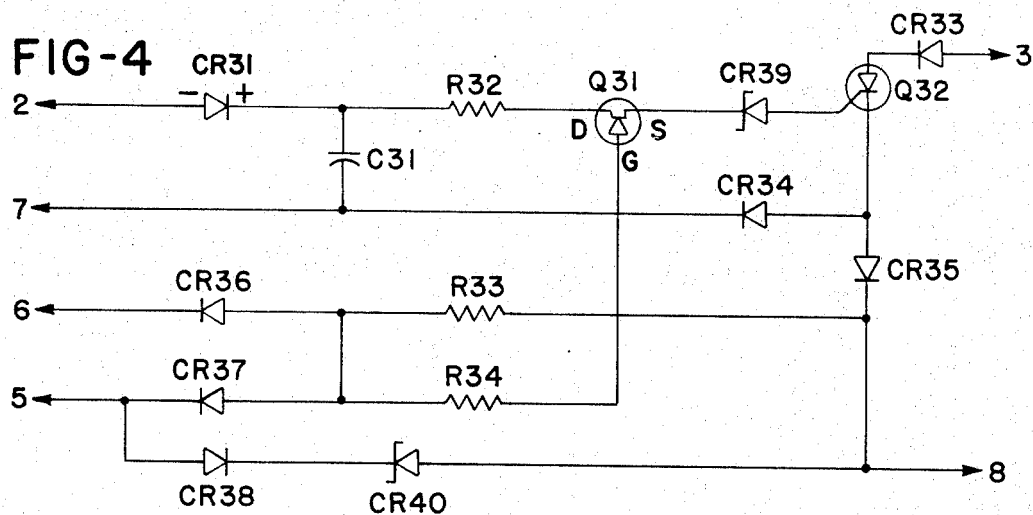


Solid state 2050 thyatron replacement



Component list :

- R32 1K, 1/2 Watt \pm 10%
- R33 10 Meg., 1/2 Watt \pm 10%
- R34 510K, 1/2 Watt \pm 10%
- C31 Sprague TE 1210, 75.mu.f, 25V
- CR31, CR33 thru 38 Diode IN5060
- CR39 1/2 Watt, Zener Diode (2.5V to 6.2V)
- CR40 IN5245, Zener Diode
- Q31 Siliconix U266, FET, BVGD = 170V MIN., Vp = 5 to 10V Max., Part FN 2651
- Q32 SCR IR106C-2

If a full wave rectifier is used, replace CR31 for CR31a between pins 2 and 7.
 CR31a Motorola 25V, 1 Amp, Full Wave Bridge MDA920A-1